

Features

- Single-speed whirlpool offers performance and value, with 6 fully adjustable jets.
- Hydromassage flow and direction can be controlled at each jet.
- Decked oval shape creates a graceful and spacious bathing experience.
- Generous 6-foot length provides spacious bathing for up to two people.
- Molded lumbar support and armrests offer extra comfort while bathing.
- Integral flange helps prevent water from seeping behind wall and simplifies alcove installation.

Material

- Acrylic.

Hydrotherapy

- Whirlpool.

Installation

- Right drain.
- Alcove.

Recommended Products/Accessories

K-7166-AF Bath Drain
K-11677 Bath Drain
K-24916 Wireless Music Kit
K-23726 Drain treatment
K-23732 Tub & shower cleaner



Codes/Standards

ASME A112.19.7/CSA B45.10
CSA B45.5/IAPMO Z124
ASTM E162
ASTM E662
UL 1795




**KOHLER® Plastic Baths and Receptors
Lifetime Limited Warranty
KOHLER® Hydrotherapy Components
Five-Year Limited Warranty**

See website for detailed warranty information.

Available Colors/Finishes

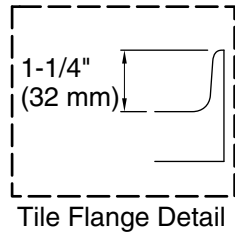
Color tiles intended for reference only.

Color	Code	Description
-------	------	-------------

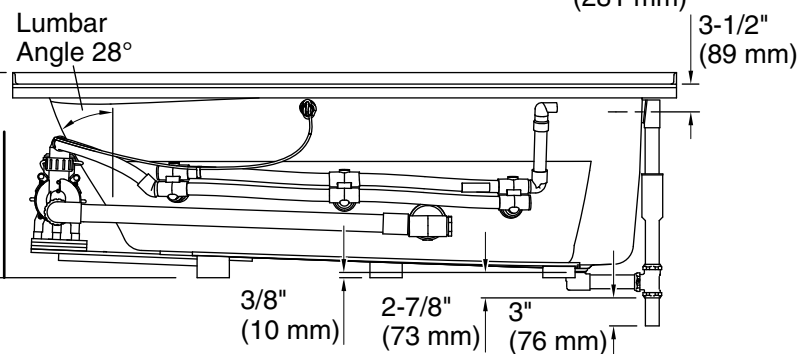
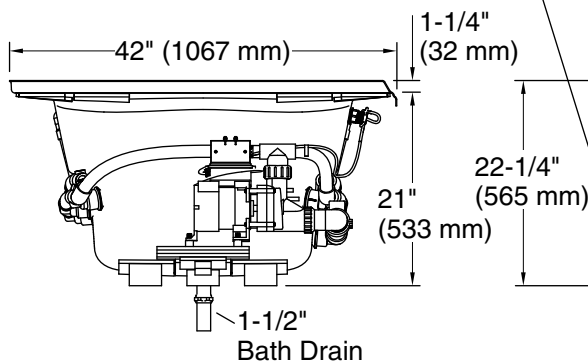
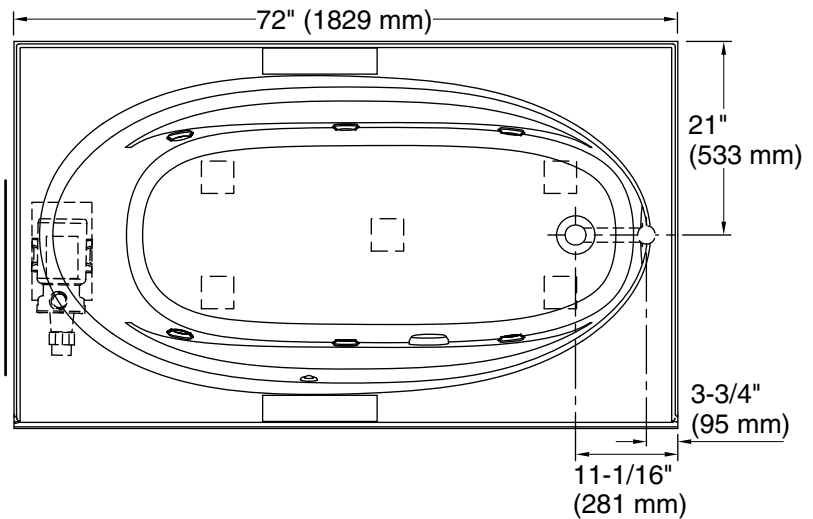
	0	White
	96	Biscuit
	47	Almond

No change in measurements if connected with drain illustrated. (K-11677)

 Recommended Faucet Location



Pump/Control Access
20" (508 mm) W x
15" (381 mm) H Min



Required Electrical Service

One dedicated circuit required, protected with Class A Ground-Fault Circuit-Interrupter (GFCI). Outside North America, this device may be known as a Residual Current Device (RCD).

Pump: 120 V, 15 A, 60 Hz

Technical Information

All product dimensions are nominal.

Installation: Three-wall alcove
 Drain location: Right
 Basin area, bottom: 55" x 23-1/4" (1397 mm x 591 mm)
 Basin area, top: 64" x 32" (1626 mm x 813 mm)
 Weight: 132 lbs (59.9 kg)
 Minimum floor load: 39 lbs/ft² (190.4 kg/m²)
 Water depth: 15" (381 mm)
 Water capacity: 78.5 gal (297.2 L)
 Electrical component Pump: 120 V, 7.5 A, 60 Hz
 rating:
 Pump speed: Single
 Minimum flat for door: 3-1/16" (78 mm)

Notes

Measure your actual product for rough-in details. Install this product according to the installation instructions.

The hot water supply should be 70% of the capacity of the bath or greater. Installations will vary.

If installing a rim-mount faucet, make sure there is no interference above or below the deck before drilling any holes.