

## SHOWER

Z94255

Soffione a parete con 1 braccio orientabile. / Wall mounted shower head with adjustable arm.



Soffione a parete con 1 braccio orientabile orizzontalmente e giunto snodato all'attacco del soffione. Portata minima richiesta: 8 lt/min.

Wall mounted shower head with adjustable arm and floating joint at the base of the shower head. Minimum flowrate requested : 8 lt. / min.

### Finiture / Finishes



Cromo / Crhome



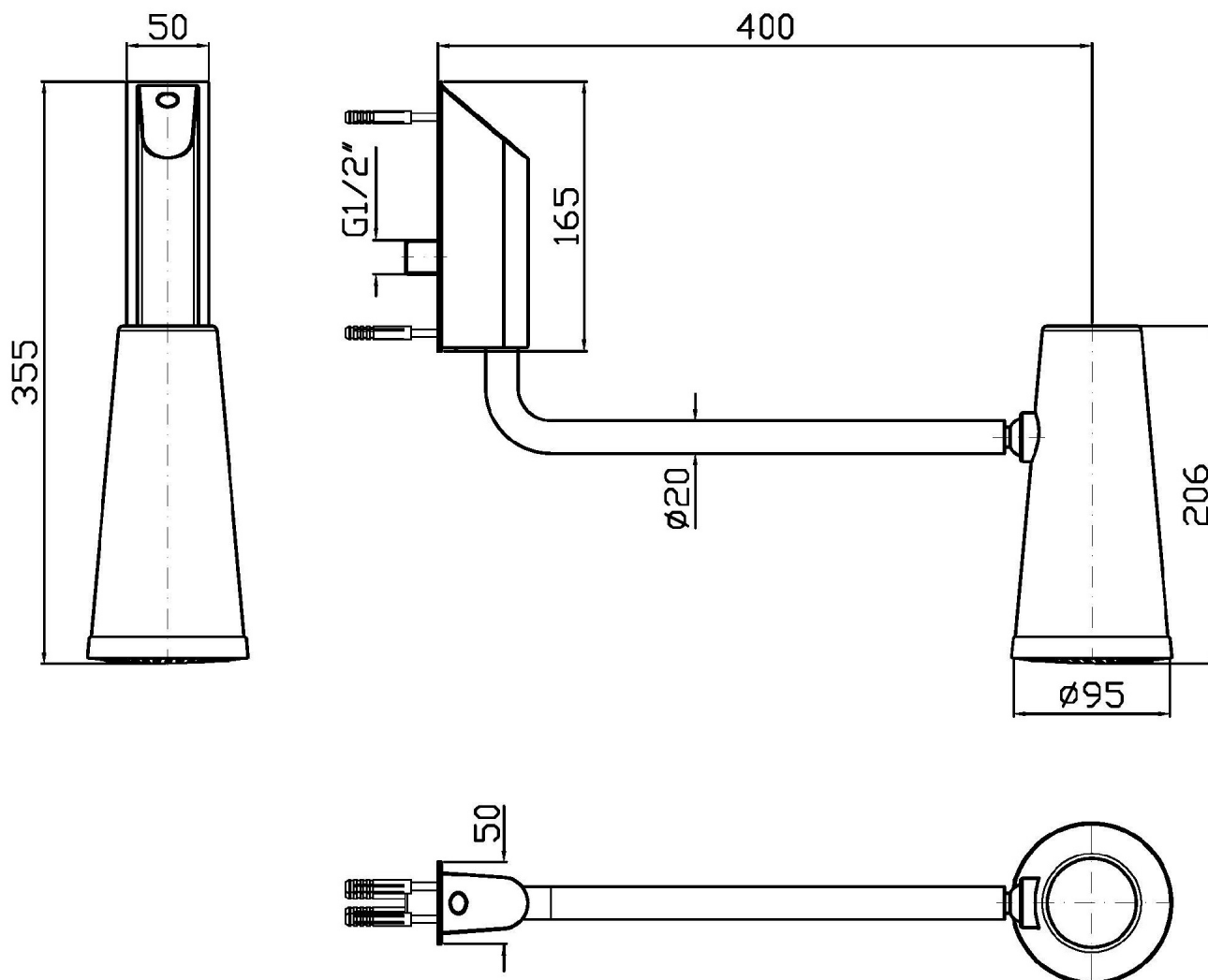
N7

Nero Soft Touch / Soft  
Touch Black

## SHOWER

Z94255

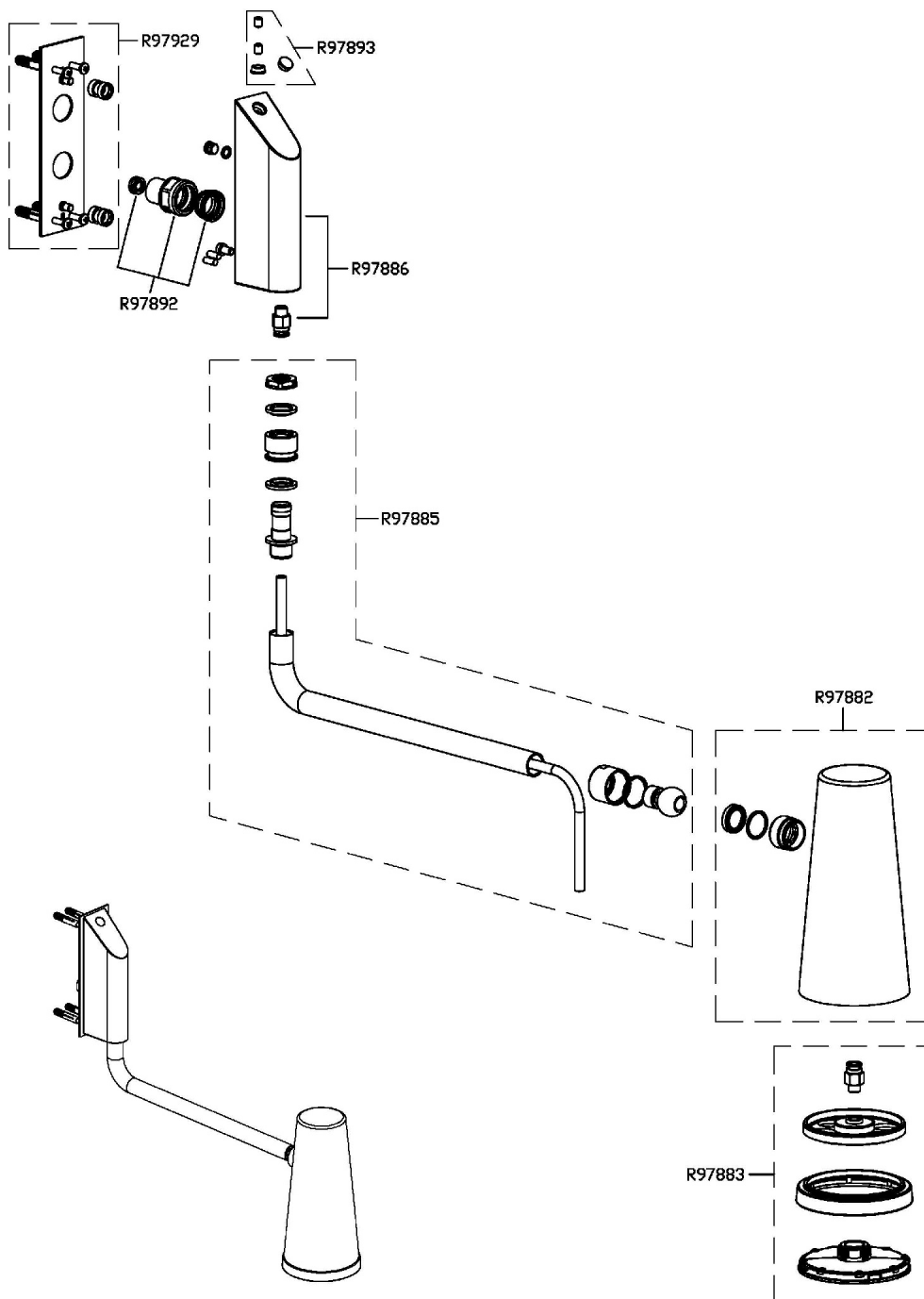
Disegno Complessivo / Overall Drawing



## SHOWER

Z94255

Esplosi / Exploded



## SHOWER

Z94255

Certificazioni / Certifications

AUSTRALIA

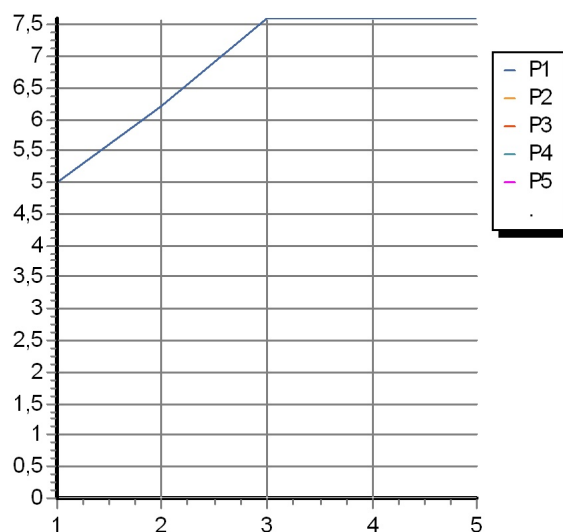
IAPMO OCEANA

## SHOWER

Z94255

Portate / Flowrates (lt/min)

PRESSIONE PRESSURE	1 BAR	2 BAR	3 BAR	4 BAR	5 BAR
SOFFIONE SHOWER HEAD <i>P1</i>	5	6,2	7,6	7,6	7,6
<i>P2</i>					
<i>P3</i>					
<i>P4</i>					
<i>P5</i>					



## SHOWER

Z94255

Pesi e Misure / Weights and Sizes

Peso ( Kg ) Weight ( lb )	3,49 ( Kg )	7,69 ( lb )
Volume test ( dc3 ) - ( in3 )	25,09 ( dc3 )	1531,08 ( in3 )
h ( mm ) - ( in )	120,00 ( mm )	4,72 ( in )
L1 ( mm ) - ( in )	380,00 ( mm )	14,96 ( in )
L2 ( mm ) - ( in )	550,00 ( mm )	21,65 ( in )

