

## ISY

ZD1800

Termostatico incasso doccia con rubinetto d'arresto. / Built-in thermostatic shower mixer 1 stop valve.



Termostatico incasso doccia da 1/2" con rubinetto d'arresto, per corpo incasso universale Zetasystem R97800.

1/2" built-in shower thermostatic shower mixer, with stop valve. For Zetasystem (R97800) universal built-in body.

R97800

Zetasystem - Corpo incasso universale /  
Zetasystem - universal built-in body



## Finiture / Finishes



Cromo / Chrome



Nickel Spazzolato /  
Brushed Nickel

C3



Bianco Opaco Goffrato /  
Embossed Matt White

W1



Nero Opaco Goffrato /  
Embossed Matt Black

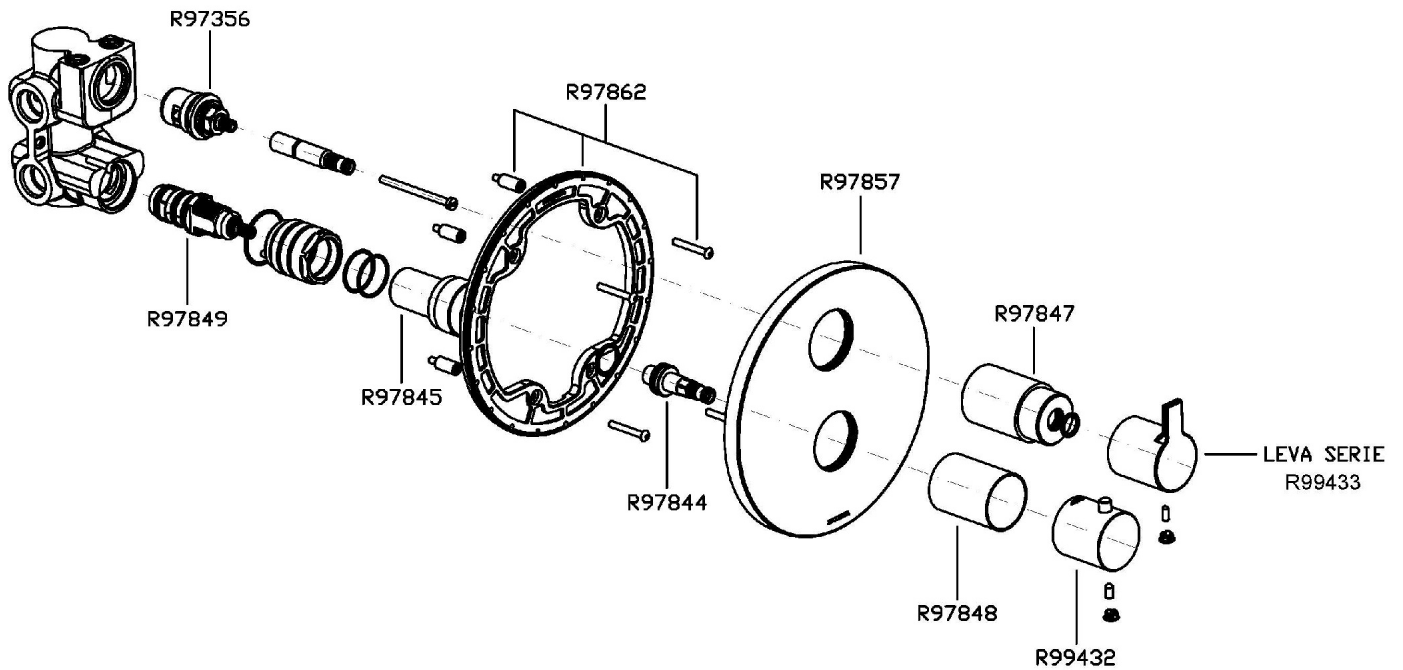
N1



## ISY

ZD1800

Esplosi / Exploded

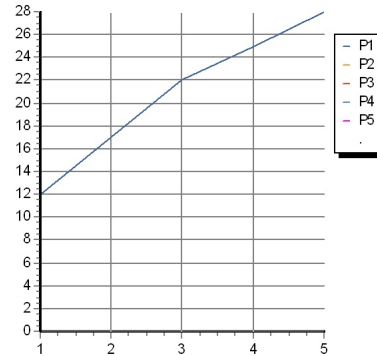


## ISY

ZD1800

Portate / Flowrates (lt/min)

PRESSIONE PRESSURE	1 BAR	2 BAR	3 BAR	4 BAR	5 BAR
USCITA PRIMARIA PRIMARY OUTLET <i>P1</i>	12	17	22	25	28
<i>P2</i>					
<i>P3</i>					
<i>P4</i>					
<i>P5</i>					



## ISY

ZD1800

Pesi e Misure / Weights and Sizes

Peso ( Kg ) Weight ( lb )	3,87 ( Kg )	8,53 ( lb )
Volume test ( dc3 ) - ( in3 )	7,50 ( dc3 )	457,68 ( in3 )
h ( mm ) - ( in )	90,00 ( mm )	3,54 ( in )
L1 ( mm ) - ( in )	250,00 ( mm )	9,84 ( in )
L2 ( mm ) - ( in )	333,00 ( mm )	13,11 ( in )

