

Marchio / Brand ZUCCHETTI

Classe / Class DOCCE

## SHOWER

Z94250

Soffione a parete con 2 bracci orientabili. / Wall mounted shower head with 2 adjustable arms.



Soffione a parete con 2 bracci orientabili, snodo centrale, contrappeso e giunto snodato all'attacco del soffione. Portata minima richiesta: 8 lt/min.

Wall mounted shower head with 2 adjustable arms, central junction, counterweight and floating joint at the base of the shower head. Minimum flowrate requested : 8 lt. / min.

### Finiture / Finishes



Cromo / Chrome



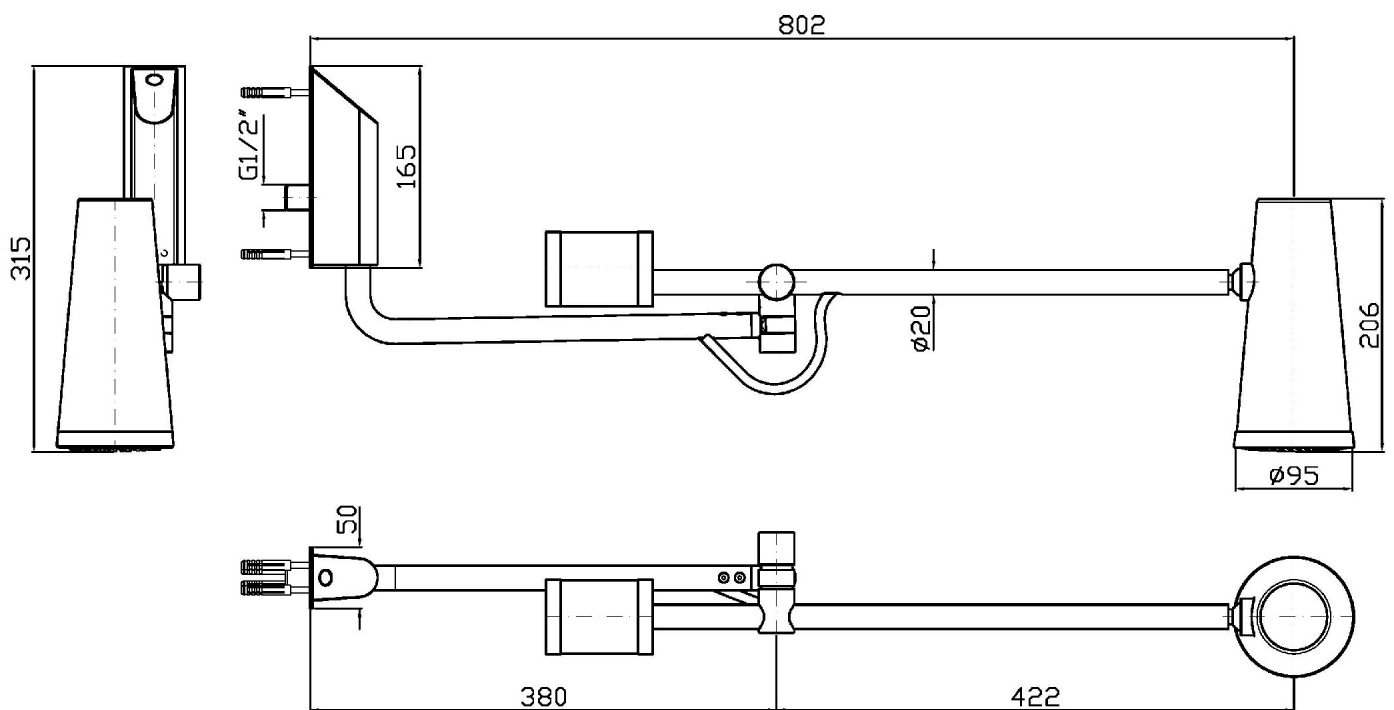
N7

Nero Soft Touch / Soft  
Touch Black

## SHOWER

Z94250

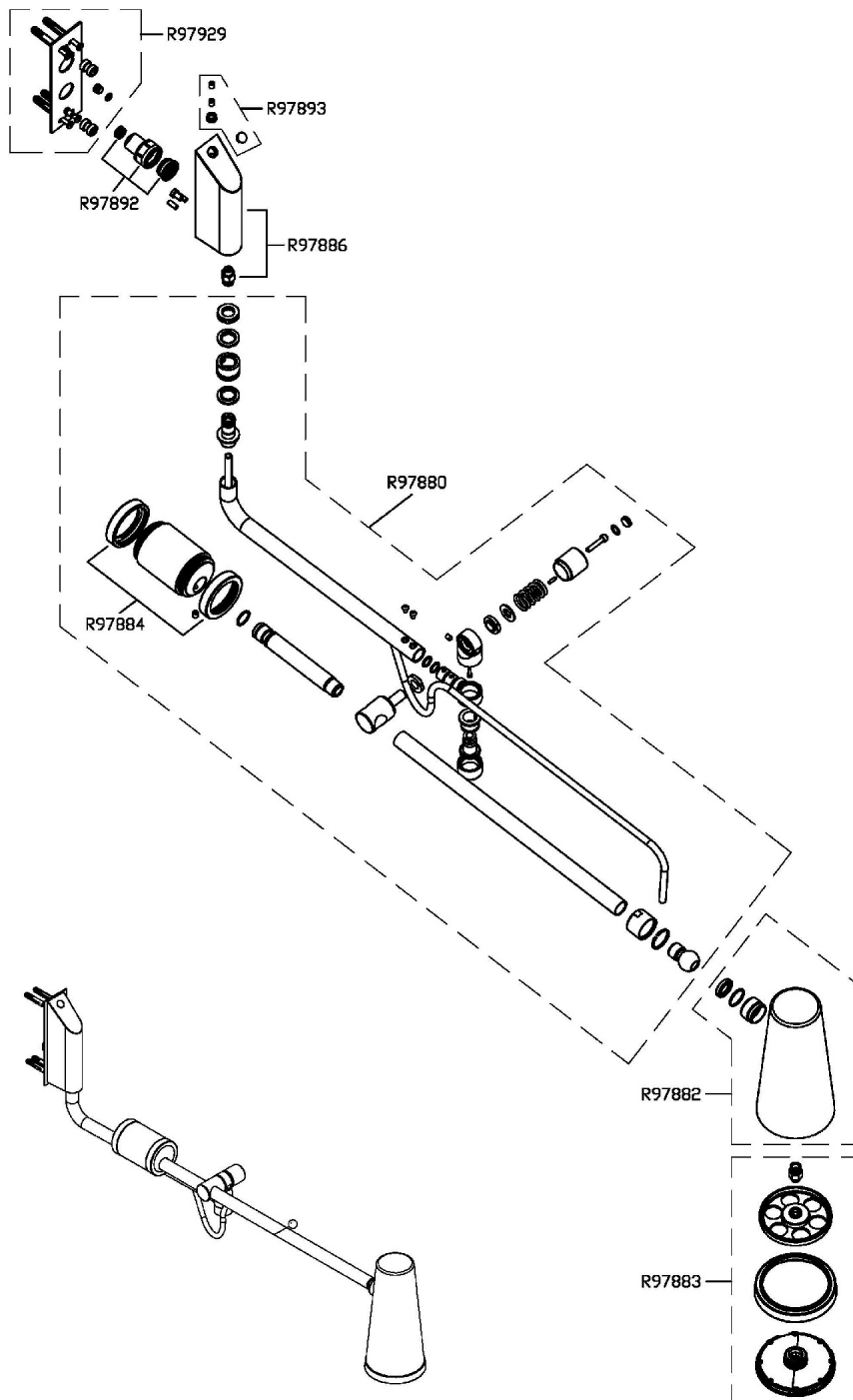
Disegno Complessivo / Overall Drawing



## SHOWER

Z94250

Esplosi / Exploded



## SHOWER

Z94250

Certificazioni / Certifications

AUSTRALIA

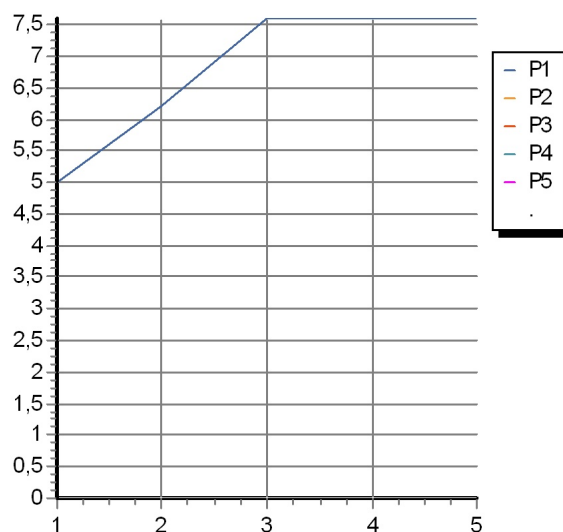
IAPMO OCEANA

## SHOWER

Z94250

Portate / Flowrates (lt/min)

PRESSIONE PRESSURE	1 BAR	2 BAR	3 BAR	4 BAR	5 BAR
SOFFIONE SHOWER HEAD <i>P1</i>	5	6,2	7,6	7,6	7,6
<i>P2</i>					
<i>P3</i>					
<i>P4</i>					
<i>P5</i>					



## SHOWER

Z94250

Pesi e Misure / Weights and Sizes

Peso ( Kg ) Weight ( lb )	7,50 ( Kg )	16,53 ( lb )
Volume test ( dc3 ) - ( in3 )	41,77 ( dc3 )	2548,96 ( in3 )
h ( mm ) - ( in )	110,00 ( mm )	4,33 ( in )
L1 ( mm ) - ( in )	415,00 ( mm )	16,34 ( in )
L2 ( mm ) - ( in )	915,00 ( mm )	36,02 ( in )

