

Collection

## BELMONDO

Article

### BL306

Description

**Wall mounted widespread lavatory faucet**

Box Dimensions

**265 x 260 x 70 mm**

Weight

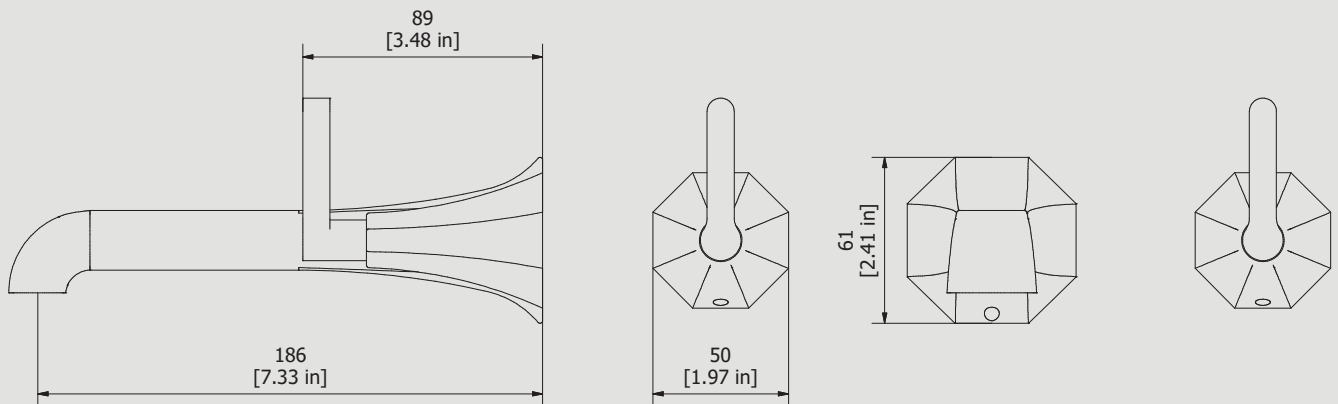
**1.7 kg**



Finishes

- **CC**  
CHROME
- **CF**  
BLACK CHROME
- **OO**  
GOLD
- **BB**  
ANTIQUE BRONZE
- **SS**  
BRUSHED NICKEL
- **CS**  
BRUSHED BLACK CHROME
- **BO**  
MATT WHITE
- **NP**  
MATT BLACK
- **IS**  
BRUSHED PALE GOLD
- **OS**  
BRUSHED GOLD
- **II**  
PALE GOLD
- **RR**  
ANTIQUE COPPER
- **RS**  
ROSE GOLD
- **ON**  
NATURAL BRASS
- **SR**  
BRUSHED ROSE GOLD
- **PL**  
PLATINUM

Dimensions



Ceramic headwork

**G1/2" ceramic headwork**

Threaded fitting

**G1/2" female**

Aerator

Flow Rate (+/-10%)

**1 BAR**  
2.4 l/min

**2 BAR**  
3.7 l/min

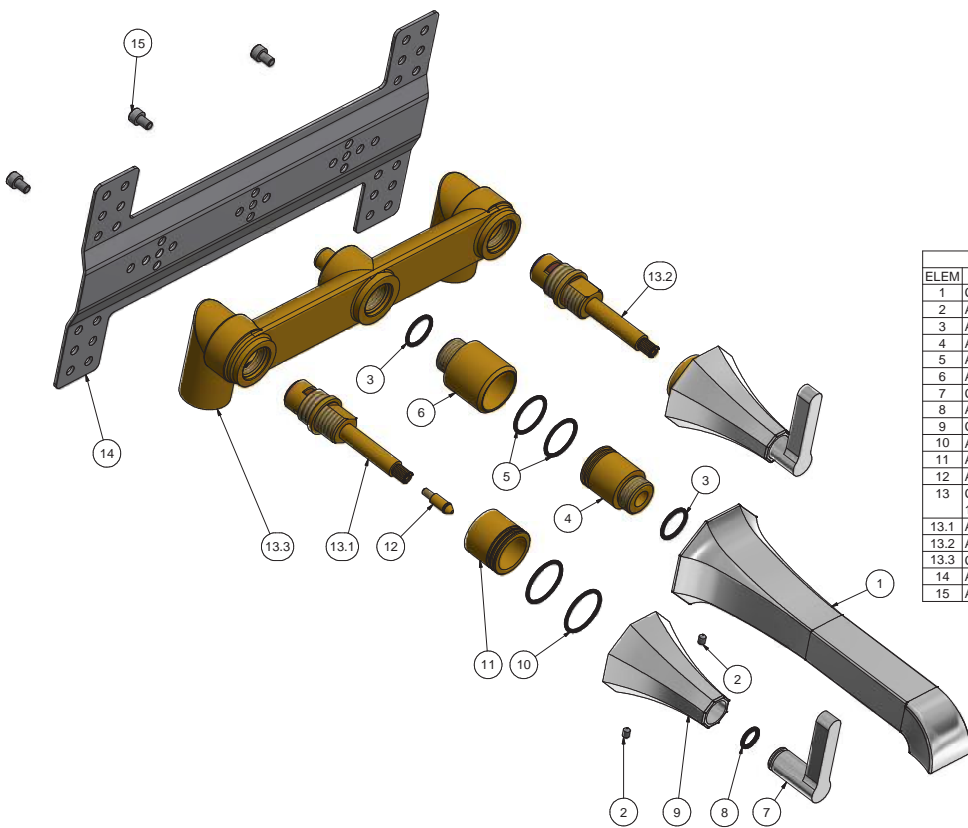
**3 BAR**  
3.7 l/min

Production

**Main body is a single casted pieces**

Material

**BRASS**  
According to CuZn35Pb2AL-B (CB752S)  
Max Lead content: 1.36%



Elenco parti			
ELEM	CODICE	NUMERO DI MAGAZZINO	QT
1	CC0001901	Spout for recessed basin mixer L197	1
2	AQ0010117	Grubscrew M5x4 p.c.	3
3	AQ0004630	OR 17.16x1.78 NBR 70 SH	2
4	AS0010502	Insert Ø25.8 G1/2" L36.5	1
5	AQ0006637	OR 21.95x1.78 NBR 70 SH	2
6	AS0010503	Insert Ø31.5 H41	1
7	CC0002160	Lever	2
8	AQ0010153	OR 10x2 NBR 70 SH	2
9	CC0002164	Octagonal bell 50 H65	2
10	AQ0006586	OR 25.12x1.78 NBR 70 SH	4
11	AS0010504	Insert Ø28.7 H24.5	2
12	AQ0010617	Click connection for headworks with ring	2
13	CPBL206IS-1	Preassembled recessed mixer body	1
13.1	AQ0010852	Headwork 90° SX H55	1
13.2	AQ0010851	Headwork 90° DX H55	1
13.3	CT0001905	Recessed body 3 hole Int. 200 G1/2"	1
14	AQ0009362	Inox plate 280x150	1
15	AQ0009429	Inox screw M5x8	3

**WARRANTY**

All IB Rubinetterie SpA products are warranted for 10 years from the date of purchase, for the following cases:

- Defects of casting, porosity and chrome plating.
- Operating defects caused by incorrect fabrication.

The warranty provides for repair or replacement of products with fabrication defects recognized by our technical office. There is no other type of compensation anche the merchandise must be returned FOB our warehouse. The warranty only cover surface defects (scatches, dings, etc.) on fitting that have not been installed and used, returned in its original packaging with all components. O-ring, gasket seals and components subject to wear proportional to use are warranted for 2 years.

**The warranty is void in the following cases:**

Error installing and putting the product into service.

Deterioration of finisched surfaces due to use of cleaning products containing acids or abrasive substances. Deterioration of surface with finishes other than chrome plating. Their durability is, in fact, dependent on the user's care and gentleness of use.

Deterioration of the fitting due incorrect installation.

Improper repairs and maintenance performed without the company's prior authorization.

The warranty from IB Rubinetterie SpA is not renewable.

**Cleaning**

We recommended cleaning the finish surfaces with water and soap, using a soft cloth.

Do not use detergents that cointain hydrochloric acid or abrasive substances.

