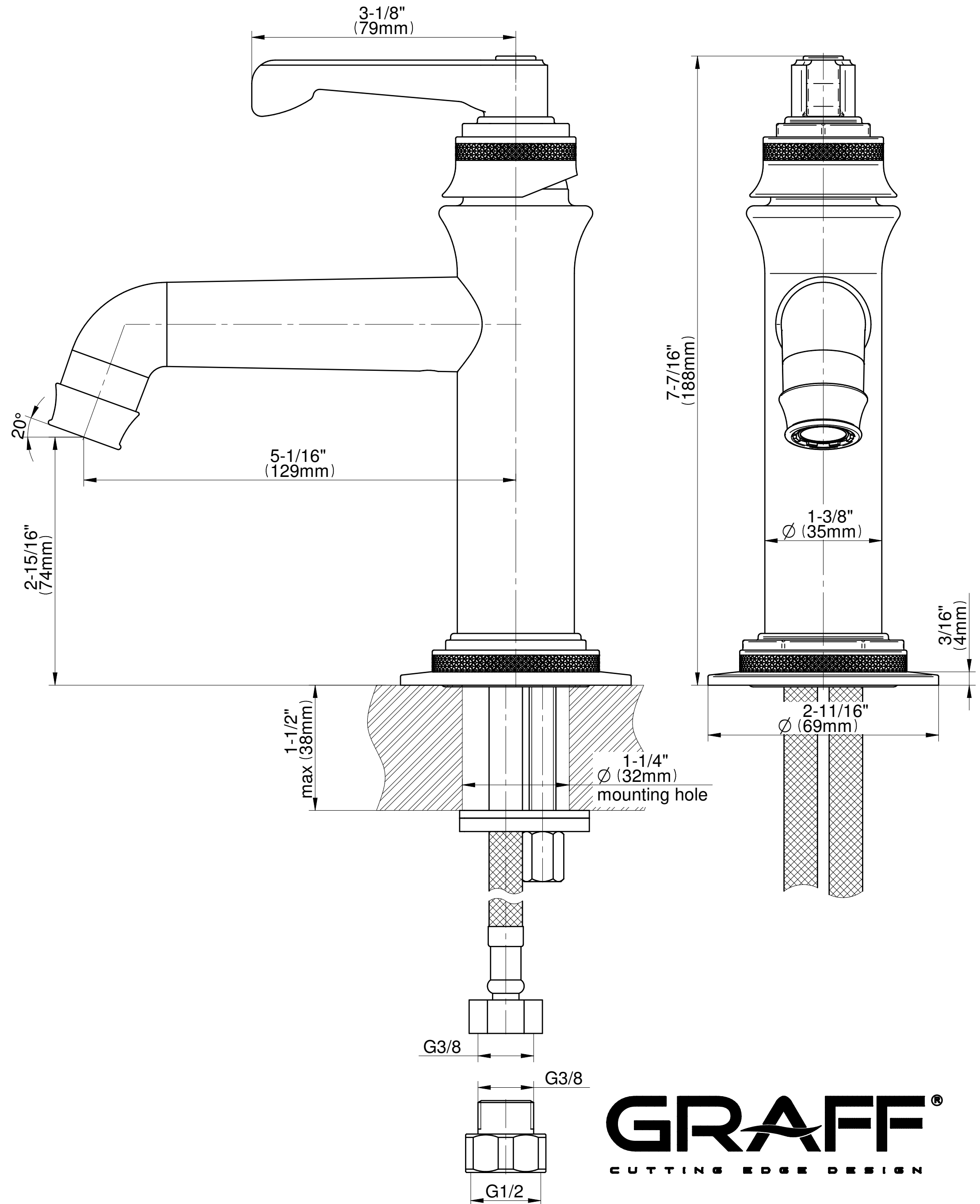


E-11600-LM60

VIGNOLA Series



GRAFF[®]
CUTTING EDGE DESIGN