

**E24322**



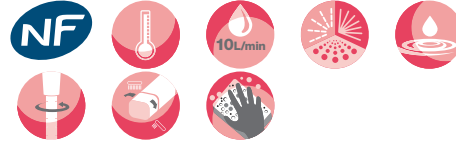
**Collection:** BRIVE

**Finish\*:**



CP - Chrome

**Main features:**



**Features**

- MATERIAL: Metal
- NORMS AND REGULATION: NF : E1/1 C3 A1 U3 // ACS : 19ACCLY836
- WITH OR WITHOUT BRASSWARE: With fittings
- SHOWER TAPS-DIVERTER: Integrated
- SHOWER TAPS-MAXIMUM TEMPERATURE: 50°C
- HOSE TYPE: Smooth, anti-twist, metal look

- INSTALLATION TYPE: Wall-mount
- SHOWER TAPS-WATER/ENERGY SAVING: Water-saving
- SHOWER TAPS-CLASSIFICATION: THERMOSTATIC
- SHOWER TAPS- SAFETY STOP: 38°C
- SHOWER TAPS-HANDSHOWER FLOW: 10 L/min
- NUMBER OF SPRAYS: 5

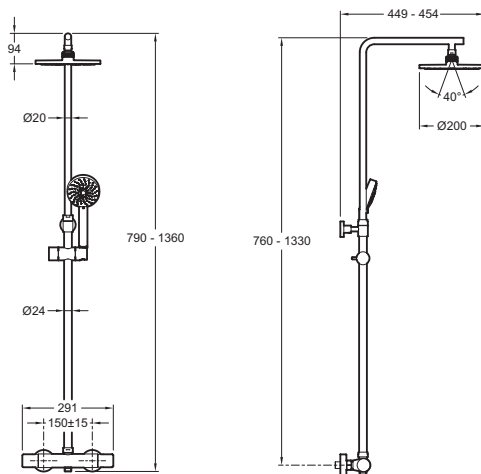
**Consumer benefits**

- WATER EFFICIENCY: Flow controls up to 10L/min included in the handshower and the showerhead
- INCREASED ANTI-SCALDING SAFETY: Automatic water stoppage in case of cold water cutoff and temperature limited to 50°C
- SIMPLE FUNCTIONALITY: Diverter built into flow handle
- THERMOSTATIC CARTRIDGE: Allows precise temperature adjustment and rapid regulation in case of pressure variation, maintaining constant temperatures.
- SHOWERING ENJOYMENT: Showerhead providing excellent body coverage (Ø200) and 5 different sprays to select your shower experience

**Installation benefits**

- NF COLUMN: Fully NF-certified column, guarantee of quality and environmental compliance
- WATER HEATER COMPTABILITY: Compatible with any hot water heater of at least 18kW.
- ADJUSTABLE ARM: Arm height can be adjusted during installation.

**Technical drawing**



Product Specification: Thermostatic shower column. E24322. Collection: BRIVE. MATERIAL: Metal. INSTALLATION TYPE: Wall-mount. NORMS AND REGULATION: NF : E1/1 C3 A1 U3 // ACS : 19ACCLY836. SHOWER TAPS-WATER/ENERGY SAVING: Water-saving. WITH OR WITHOUT BRASSWARE: With fittings. SHOWER TAPS-CLASSIFICATION: THERMOSTATIC. SHOWER TAPS-DIVERTER: Integrated. SHOWER TAPS- SAFETY STOP: 38°C. SHOWER TAPS-MAXIMUM TEMPERATURE: 50°C. SHOWER TAPS-HANDSHOWER FLOW: 10 L/min. HOSE TYPE: Smooth, anti-twist, metal look. NUMBER OF SPRAYS: 5.

\*Due to possible variations in computer and printer calibrations, technical factors and certain finish characteristics, the colors you see may not accurately portray the actual colors and are provided as a guide only.