

dline

Base



# dline

### Base collection

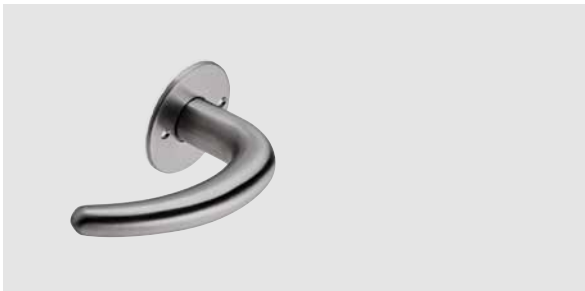
The Base collection is an assortment of the essentials within hardware that is competitively priced.

To meet the need of every type of project or building we've innovated this collection with the sole purpose of providing a wider range of choices, when budgets are constrained or over-spent. sleek, minimal and competitively priced, each piece features enduring, well-functioning mechanisms in high quality AISI 304 stainless steel.

Each piece in the Base collection shares:

- AISI 304 stainless steel
- 10 year guarantee
- Competitively priced
- All lever handles have been tested according to EN1906 (digit 1) category 4
- All lever handles come with high quality torx security fixings
- All products in this catalogue are stock items

#### Lever Handle 19 Coupe Dørgreb 19 Coupe



**Description:**

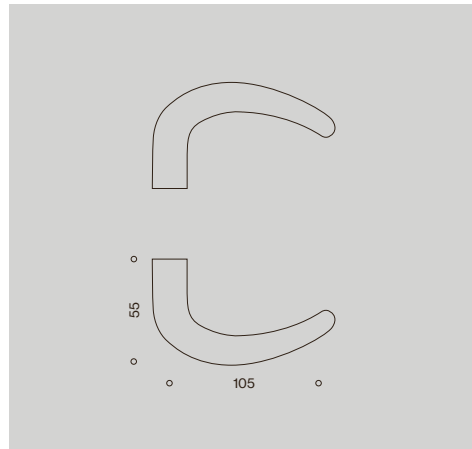
Supplied with screws M4 x 110 mm and M4 x 39 mm  
Leveres med M4 x 110 mm og M4 x 39 mm skruer

Pair 8 x 8 mm, solid rose cc 30 mm, 33-59 mm  
Sæt 8 x 8 mm, massiv roset cc 30 mm, 33-59 mm

**Item Number:**    **Unit:**    **Colli:**

28.1111.02.010    Set    5

**Technical drawing:**



#### Lever Handle 16 L Dørgreb 16 L



**Description:**

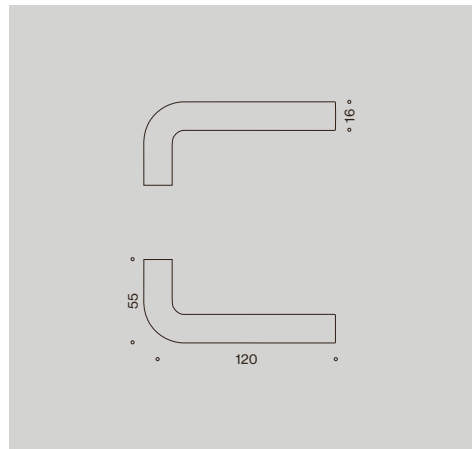
Supplied with screws M4 x 110 mm and M4 x 39 mm  
Leveres med M4 x 110 mm og M4 x 39 mm skruer

Pair 8 x 8 mm, solid rose cc 30 mm, 33-59 mm Sæt 8 x 8 mm, massiv roset cc 30 mm, 33-59 mm

**Item Number:**    **Unit:**    **Colli:**

28.1011.02.010    Set    5

**Technical drawing:**



**Lever Handle 16 U Dørgreb 16 U**



**Description:**

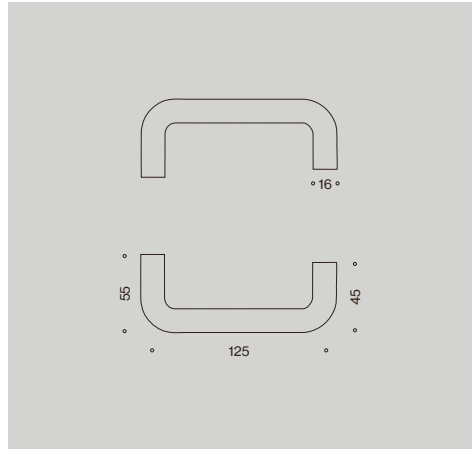
Supplied with screws M4 x 110 mm and M4 x 39 mm  
Leveres med M4 x 110 mm og M4 x 39 mm skruer

Pair 8 x 8 mm, solid rose cc 30 mm, 33-59 mm  
Sæt 8 x 8 mm, massiv roset cc 30 mm, 33-59 mm

**Item Number:**    **Unit:**    **Colli:**

28.1211.02.010    Set    5  
Sæt

**Technical drawing:**



**Lever Handle 19 L Dørgreb 19 L**



**Description:**

Supplied with screws M4 x 110 mm and M4 x 39 mm  
Leveres med M4 x 110 mm og M4 x 39 mm skruer

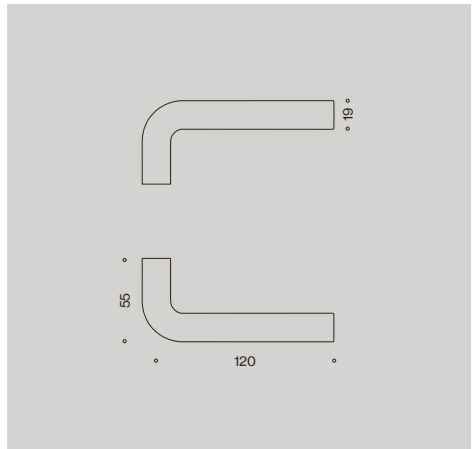
Pair 8 x 8 mm, solid rose cc 30 mm, 33-59 mm  
Sæt 8 x 8 mm, massiv roset cc 30 mm, 33-59 mm

Pair 8 x 8 mm, snap on cover cc 30/38 mm, 33-59 mm  
Sæt 8 x 8 mm, klipsroset cc 30/38 mm, 33-59 mm

**Item Number:**    **Unit:**    **Colli:**

28.1611.02.010    Set    5  
Sæt  
28.1616.02.010    Set    5  
Sæt

**Technical drawing:**



**Lever Handle 19 U Dørgreb 19 U**



**Description:**

Supplied with screws M4 x 110 mm and M4 x 39 mm  
Leveres med M4 x 110 mm og M4 x 39 mm skruer

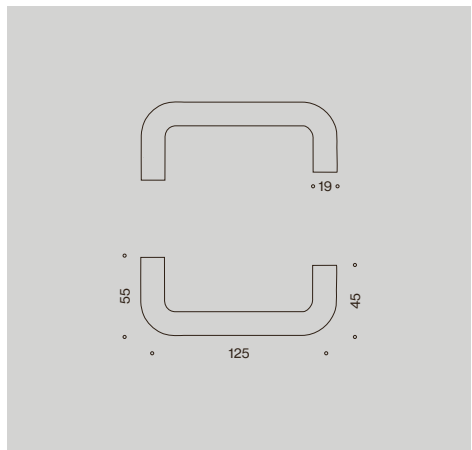
Pair 8 x 8 mm, solid rose cc 30 mm, 33-59 mm  
Sæt 8 x 8 mm, massiv roset cc 30 mm, 33-59 mm

Pair 8 x 8 mm, snap on cover cc 30/38 mm, 33-59 mm  
Sæt 8 x 8 mm, klipsroset cc 30/38 mm, 33-59 mm

**Item Number:**    **Unit:**    **Colli:**

28.1811.02.010    Set    5  
Sæt  
28.1816.02.010    Set    5  
Sæt

**Technical drawing:**



**Spindle/Sectioned bolt Dørgrebsjern/Knækskruer****Description:**

Spindle 8 x 8 x 92 mm, 33-59 mm  
Dørgrebsjern 8 x 8 x 92 mm, 33-59 mm

Spindle 8 x 8 x 116 mm, 59-85 mm  
Dørgrebsjern 8 x 8 x 116 mm, 59-85 mm

Spindle 8 x 8 x 140 mm, 85-111 mm  
Dørgrebsjern 8 x 8 x 116 mm, 85-111 mm

Sectioned bolt, M4 x 110 mm, w/turn stop & bush  
Knækskruer, M4 x 110 mm, m/ bøsning

Sectioned bolt, M5 x 110 mm, w/turn stop & bush  
Knækskruer, M5 x 110 mm, m/ bøsning

**Item Number:**

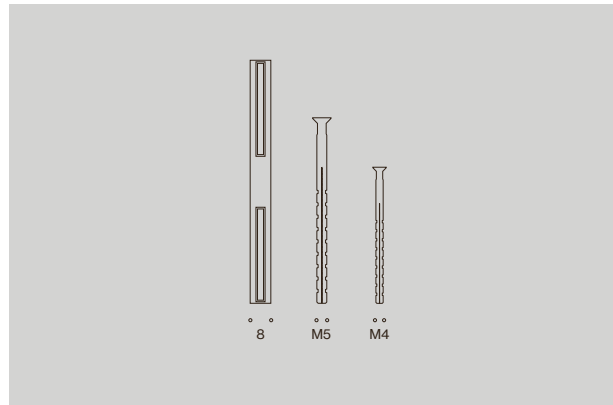
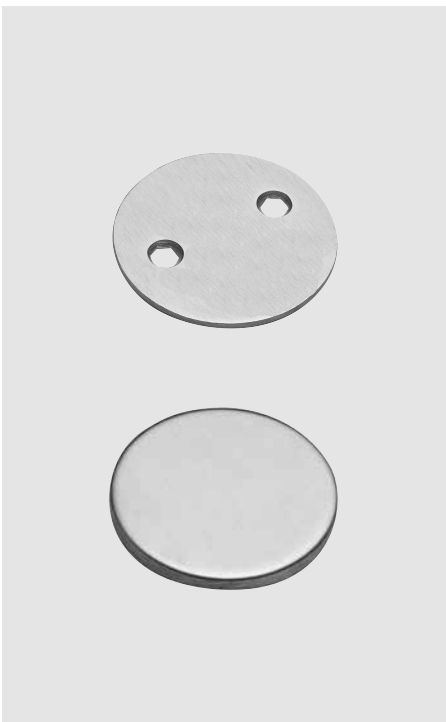
28.2810.00.092

28.2810.00.116

28.2810.00.140

28.2904.10.100

28.2905.10.100

**Unit: Colli:**Pcs 50  
StkPcs 50  
StkPcs 50  
StkPcs 100  
StkPcs 100  
Stk**Technical drawing:****Blind rose set Blind roset sæt****Description:**

Ø50 mm solid rose set, w/screws  
Ø50 mm blind roset sæt, m/skruer

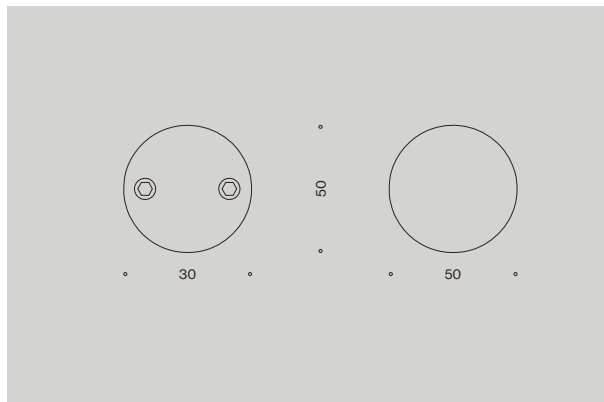
Solid rose cc 30 mm  
Massiv roset cc 30 mm

Snap on cover cc 27/30/38 mm  
Klipsroset cc 27/30/38 mm

**Item Number:**

28.3240.02.100

28.3245.02.800

**Unit: Colli:**Set 25  
SætSet 25  
Sæt**Technical drawing:**

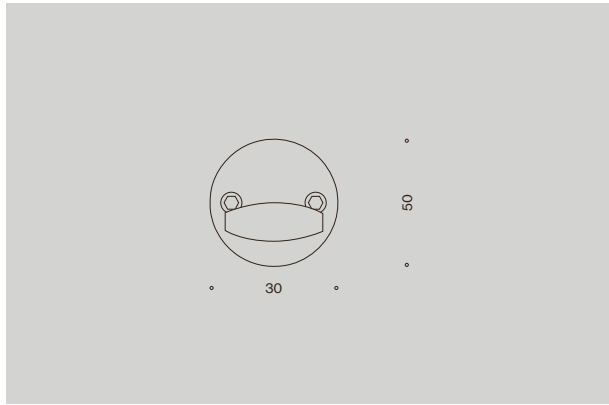
**Thumb turn** Vridergreb**Description:**

Ø50 mm thumb turn set  
Ø50 mm vridergreb sæt

Solid cc 30 mm f/ASSA  
Massiv cc 30 mm f/ASSA

**Item Number:**

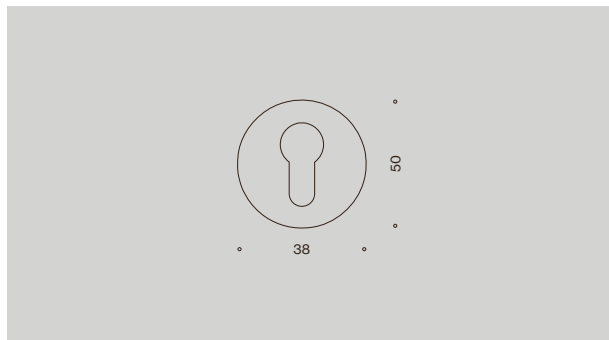
28.3410.02179

**Unit:** **Colli:**Pcs 10  
Stk**Technical drawing:****Cyl. escutcheon** Cyl. besætning**Description:**

Ø52 w/PZ hole, snap on cover cc 38 mm, w/screws  
Ø52 w/PZ hole, klipsroset cc 38, m/skruer

**Item Number:**

28.3435.02215

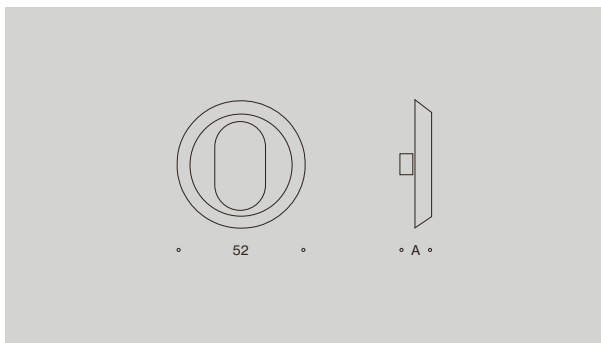
**Unit:** **Colli:**Set 20  
Sæt**Technical drawing:**

**Cyl. escutcheon Cyl. besætning**



Description:	Item Number:	Unit:	Colli:
External 6 mm, w/oval cyl. hole cc 30 mm, M5 Udvendig 6 mm, m/oval cyl. hul cc 30 mm, M5	28.3441.02.067	Pcs Stk	25
External 8 mm, w/oval cyl. hole cc 30 mm, M5 Udvendig 8 mm, m/oval cyl. hul cc 30 mm, M5	28.3441.02.083	Pcs Stk	25
External 11 mm, w/oval cyl. hole cc 30 mm, M5 Udvendig 11 mm, m/oval cyl. hul cc 30 mm, M5	28.3441.02.113	Pcs Stk	25
External 13 mm, w/oval cyl. hole cc 30 mm, M5 Udvendig 13 mm, m/oval cyl. hul cc 30 mm, M5	28.3441.02.130	Pcs Stk	25
External 16 mm, w/oval cyl. hole cc 30 mm, M5 Udvendig 16 mm, m/oval cyl. hul cc 30 mm, M5	28.3441.02.164	Pcs Stk	25
External 18 mm, w/oval cyl. hole cc 30 mm, M5 Udvendig 18 mm, m/oval cyl. hul cc 30 mm, M5	28.3441.02.181	Pcs Stk	25
External 21 mm, w/oval cyl. hole cc 30 mm, M5 Udvendig 21 mm, m/oval cyl. hul cc 30 mm, M5	28.3441.02.211	Pcs Stk	25

**Technical drawing:**

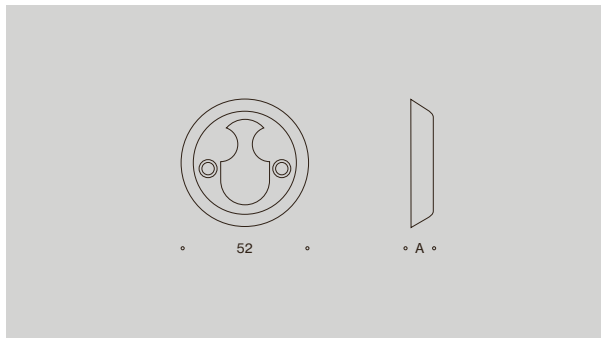


**Cyl. escutcheon Cyl. besætning**



Description:	Item Number:	Unit:	Colli:
Internal 6 mm, rococo cc 30 mm, M5 Indvendig 6 mm, rokoko cc 30 mm, M5	28.3453.02.060	Pcs Sæt	25
Internal 8 mm, rococo cc 30 mm, M5 Indvendig 8 mm, rokoko cc 30 mm, M5	28.3453.02.086	Pcs Sæt	25
Internal 11 mm, rococo cc 30 mm, M5 Indvendig 11 mm, rokoko cc 30 mm, M5	28.3453.02.116	Pcs Sæt	25
Internal 13 mm, rococo cc 30 mm, M5 Indvendig 13 mm, rokoko cc 30 mm, M5	28.3453.02.132	Pcs Sæt	25
Internal 16 mm, rococo cc 30 mm, M5 Indvendig 16 mm, rokoko cc 30 mm, M5	28.3453.02.167	Pcs Sæt	25
Internal 18 mm, rococo cc 30 mm, M5 Indvendig 18 mm, rokoko cc 30 mm, M5	28.3453.02.183	Pcs Sæt	25
Internal 21 mm, rococo cc 30 mm, M5 Indvendig 21 mm, rokoko cc 30 mm, M5	28.3453.02.213	Pcs Sæt	25

**Technical drawing:**

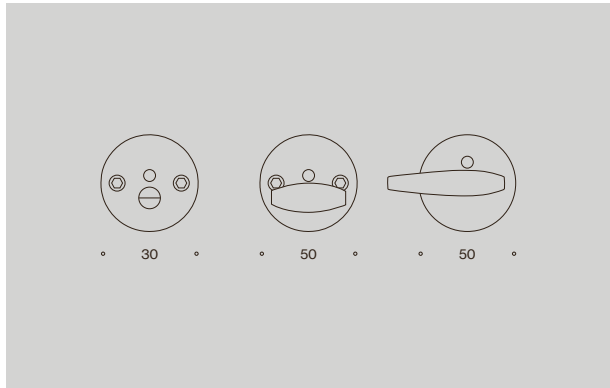


**Toilet indicator 90° Toiletbesætning 90°**



Description:	Item Number:	Unit:	Colli:
Solid rose cc 30 x 5,5 mm spindle Massiv roset cc 30 x 5,5 mm stift/medbringer	28.3470.02.152	Set Sæt	10
RH disabled, solid rose cc 30 x 5,5 mm spindle H handicap,massiv roset cc 30 x 5,5 mm stift/medbringer	28.3471.02.157	Set Sæt	10
LH disabled, solid rose cc 30 x 5,5 mm spindle V handicap,massiv roset cc 30 x 5,5 mm stift/medbringer	28.3471.02.165	Set Sæt	10

**Technical drawing:**

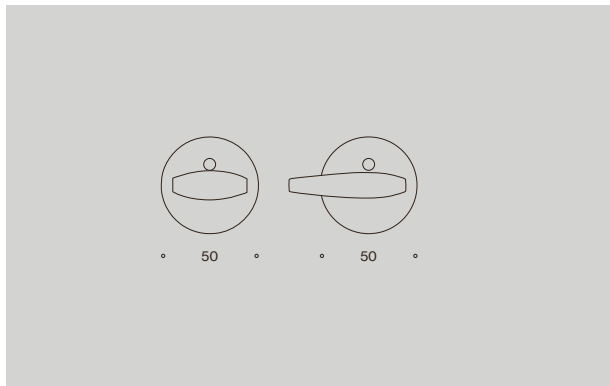


**Toilet indicator 90° Toiletbesætning 90°**



Description:	Item Number:	Unit:	Colli:
Snap on cover cc 30 x 5 mm spindle Kliproset cc 30 x 5 mm stift/medbringer	28.3475.02.155	Set Sæt	25
Snap on cover cc 38 x 8 mm spindle Kliproset cc 38 x 8 mm stift/medbringer	28.3475.02.309	Set Sæt	10
Disabled, snap on cover cc 30 x 5 mm spindle Handicap, klipproset cc 30 x 5 mm stift/medbringer	28.3478.02.150	Set Sæt	25
Disabled, snap on cover cc 38 x 8 mm spindle Handicap, klipproset cc 38 x 8 mm stift/medbringer	28.3478.02.300	Set Sæt	10

**Technical drawing:**



**Back plate** Langskilt**Description:**

X= 111 mm, 2 x Ø40 mm hole f/escutcheons,  
f/ASSA, 210 x 55 x 2 mm  
X= 111 mm, 2 x Ø40 mm hul t/besætning,  
t/ASSA, 210 x 55 x 2 mm

**Item Number:**

28.3650.02.170

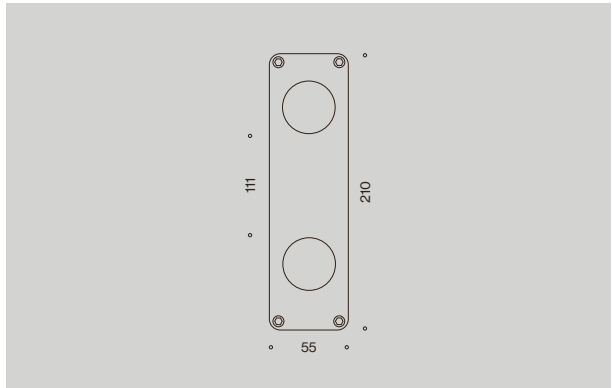
**Unit:**

Pcs

**Colli:**

15

Stk

**Technical drawing:****Back plate** Faconskilt**Description:**

RH X= 111 mm, 2 x Ø40 mm hole f/escutcheons,  
f/ASSA, 175 x 175 x 2 mm  
CH H X= 111 mm, 2 x Ø40 mm hul t/besætning,  
t/ASSA, 175 x 175 x 2 mm

**Item Number:**

28.3675.02.211

**Unit:**

Pcs

**Colli:**

5

Stk

RH X= 111 mm, 02 x Ø40 mm hole f/escutcheons,  
f/ASSA, 175 x 175 x 2 mm  
CH H X= 111 mm, 2 x Ø40 mm hul t/besætning,  
t/ASSA, 175 x 175 x 2 mm

**Item Number:**

28.3675.02.311

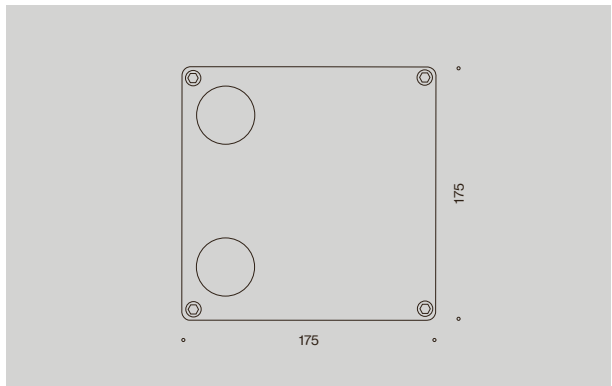
**Unit:**

Pcs

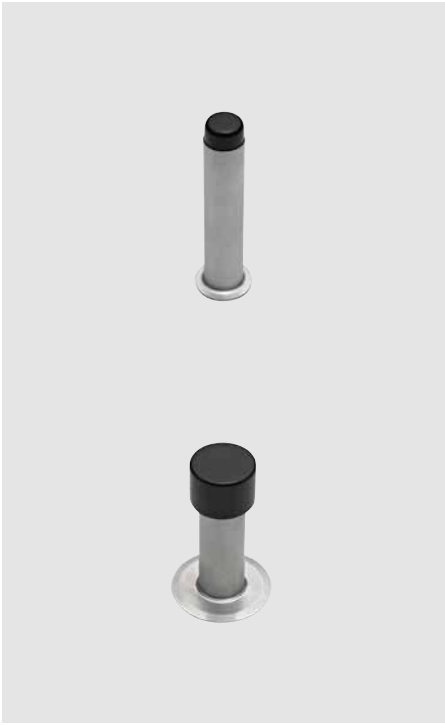
**Colli:**

5

Stk

**Technical drawing:**



**Door stop Dørstop****Description:**

Wall, Ø19 x 70 mm  
Væg, Ø19 x 70 mm

Wall/ loor, Ø22 x 50 mm, 55 mm  
Væg/gulv, Ø22 x 50 mm, 55 mm

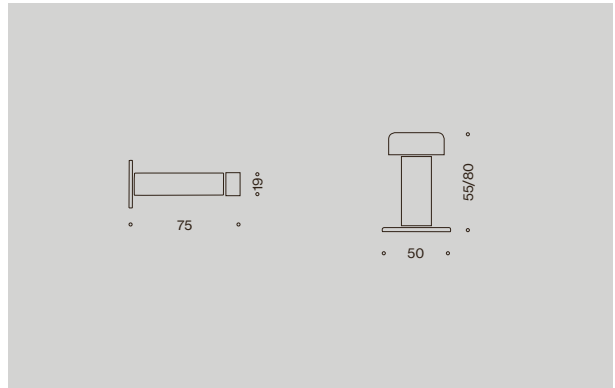
Wall/ loor, Ø22 x 50 mm, 80 mm  
Væg/gulv, Ø22x 50 mm, 80 mm

**Item Number:**

28.5060.02.002

28.5070.02.006

28.5070.02.085

**Unit: Colli:**Pcs 25  
StkPcs 15  
StkPcs 12  
Stk**Technical drawing:****Door stop Dørstop****Description:**

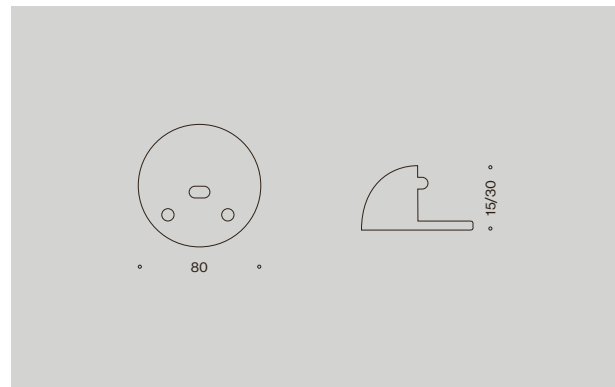
Floor turtle, Ø80 x 15 mm  
Gulv skildpadde, Ø80 x 15 mm

Floor turtle, Ø80 x 30 mm  
Gulv skildpadde, Ø80 x 30 mm

**Item Number:**

28.5080.02.015

28.5080.02.030

**Unit: Colli:**Pcs 20  
StkPcs 10  
Stk**Technical drawing:**

APPROVAL  
SKG.0232.3647.06.ENG

Issued: 06-04-2021  
Valid until: 22-03-2024

Replaces: SKG 0232.3647.06.ENG  
Issued: 22-03-2018



**Approvalholder**  
d line AS  
Roskildevej 22  
DK-2620 DK-2620  
T: + 45 (0) 7217 0138  
E: info@dline.com  
I: www.dline.com

## Approval of conformity

### Statement by SKG-IKOB

This approval applies to the construction product

### HANDLES

as specified in the attached appendix placed on the market under the name or trade mark of the holder of this approval and produced by or for the holder of this approval in the manufacturing plant(s) if mentioned above.

The product is subjected to the Internal Quality System (IQS) of the holder of this approval with respect to the model specifications and product designations. SKG-IKOB issues this approval of the product based on:

- I Results of Initial Type Testing of the product;
- II Initial inspection of the manufacturing plant and the Internal Quality System (IQS) according to the requirements of the SKG-IKOB Guideline for a Certificate of conformity and the standard as mentioned beneath;
- III Every three year an assessment and evaluation of the Internal Quality System (IQS) according to the requirements of the SKG-IKOB Guideline for a Approval of conformity and the standard as mentioned beneath.

This approval attests that products, produced by or on behalf of the holder of this approval, delivered under type- and/or article number as mentioned in the annex meet the classification(s) according to:

### EN 1906: 2012

This approval was first issued on 22-03-2013 and will remain valid until the date as mentioned at this approval provided that the test methods and/or factory production control requirements included in the standard, used to assess the performance of the declared characteristics, do not change, and the product, and the manufacturing conditions in the plant are not modified significantly.

For SKG-IKOB

ir. H.A.J. van Dartel  
Certification manager

The users of this approval are advised to verify at [www.skgikob.nl](http://www.skgikob.nl) if this certificate is still valid and actual.  
This certificate consists of 5 pages.

APPROVAL

SKG-IKOB Certificatie  
Poppenbouwing 56  
4191 NZ, Geldermalsen

Postbus 202  
4190 CE, Geldermalsen

T 088-2440100  
info@skgikob.nl  
www.skgikob.nl



Article	Specification	Classification according to EN 1906	SKG-IKOB - assessment
Base: 28390002051 28390002077 28395002105	Stainless steel flush pulls; Round: $\varnothing$ 50 – 75 mm Oval: 50 – 100 mm	- - - B - - - -	17.00417

Article	Specification	Classification according to EN 1906	SKG-IKOB - ITT (report no.)
Base - 28.xxxx.02.xxx L shape 16 / 19 mm U shape 16 / 19 mm C shape 19 mm FF shape 19 mm Coupe shape	Stainless steel lever handles on stainless steel roses, or on zamac roses with stainless steel cover	4 7 - B1 0 4 0 U	10-426 11-401

# Service and maintenance

## **Service and Maintenance**

Our Base collection is produced in AISI 304 satin stainless steel and is therefore suitable for areas where the demand for quality and durability is needed. The products can be used both outside and inside, in both private and public buildings. Function of levers, pull handles and fittings should be checked on a regular basis. If fittings are loose they need to be tightened.

Cleaning is carried out to restore the original surface appearance, prevent corrosion and maintain hygienic conditions. If spots appear on the surface it is not due to the stainless steel, but to impurities in the water, the air or to cleaning agents that have not been thoroughly removed from the surface.

## **Cleaning Technique**

It is important to clean stainless steel regularly. Initially, wash down the surface using soapy water or a mild detergent. Always thoroughly rinse the cleaning agent away with clean water. To complete the cleaning procedures dry/polish the item with a soft, dry cloth. Within aggressive conditions, such as offshore, marine and swimming pool environments, it is especially relevant to ensure that cleaning maintenance occurs regularly. Please do not use scouring powders, steel wool or any strong abrasive materials as these may damage the surface.

d line is a heritage Danish design brand conceiving and hand crafting enduring architectural hardware, sanitary ware and solutions for barrier-free living. Its products are present in many iconic buildings, from MoMA and Via 57 West in New York City, to the SAS Royal Hotel and the Royal Danish Playhouse in Copenhagen.

The brand's ambition is to be universally known, coveted and admired for the uncompromising endurance of its design, craftsmanship and quality.

[dline.com](http://dline.com)



# d line