



Outlook of devices, aslo colour scores can be revised without any special advance notices.

Производитель вправе менять внешний вид прибора и цветовую гамму прибора без специального уведомления.

## Instruction manual Руководство по эксплуатации

Электрический  
увлажнитель  
воздуха

*Electric  
humidifier*

**Модель/Model:**

THU 14 E (BL)

**Цвет/Color:**

(BL) - чёрный / black

**Руководство по эксплуатации включает в себя гарантийный талон**

## CONTENTS

1. Important information	2
2. Safety rules	3
3. Specification	4
4. Description of the unit	4
5. List of parts	4
6. Appliance operation	5
7. Cleaning and maintenance	6
8. Troubleshooting	7
9. Transportation and storage	7
10. Disposal	7

### Dear customer!

**We thank you for your happy choice! You've bought an air humidifier TIMBERK. It will serve you for a long time. Please, read this manual carefully before operating the device!**

**Humidifier is used to raised relative humidity level up, improving microclimate. It helps to eliminate problems connected with low air humidity.**

## 1. IMPORTANT INFORMATION

The manufacturer reserves the right to make modifications in design, configuration or manufacturing process of the device in order to improve its properties. There may be some misprints in the text and digital notations of this manual. If you have any answers concerning operation of the appliance after you've read the manual, please, apply to a shop assistant or to a specialized service center for explanations.

The article has a label showing all the necessary specification data and other useful information about the appliance. Use the appliance only for its intended purpose indicated in this manual. The humidifier is designed for air humidification indoors.

Relative air humidity for comfortable conditions should be between 40 and 60%. Insufficient air humidity results in exsiccation of mucous membranes, which in turn causes decrease in immunity, headache, cracking of lips, sandpaper in the eyes, favors infection and respiratory tract diseases, promotes exhaustion, leads to increased fatigue of eyes and decline of attention concentration, has an adverse effect on pets and house-plants, leads to the growth of dust formation and increase of electrostatic charge of synthetic textiles.

## 2. SAFETY RULES

Before startup of the humidifier, please, study this manual carefully and keep it for further use. While using the appliance, it is necessary to observe some precautions. Improper operation due to disregard to precautions may result in personal injury of user or other people, as well as to damaging of their property.

The humidifier is designed for work in habitable rooms with observation of the stated operation conditions. Using of the humidifier not for its intended purpose may create situations dangerous to life and health. The electric appliance, while in operation, should be under supervision, especially if it is used in a room with children.

The appliance is not intended for use by persons (including children) with physical, sensory or mental disabilities, or having insufficient experience and knowledge, if they are not under supervision and did not receive instructions for use of the appliance from a person responsible for their safety.

Please, make sure that children do not play with the appliance. Use the appliance only in accordance with the user's manual. Never use the humidifier with a damaged power cord or plug and if the humidifier is broken or damaged by falling or in other circumstances. The humidifier should be operated only in the fully assembled condition. To avoid a burn, do not touch a membrane of the operating humidifier (for ultrasonic models).

High frequency of oscillations results in heating of the membrane.



### NOTE:

High-frequency oscillations of the ultrasonic humidifier membrane are noiseless and safe for people and pets.

High frequency of oscillations results in heating of the membrane.

To avoid the electric shock, the damaged power cord should be replaced only in authorized service centers by qualified specialists. To avoid the electric shock, do not place the power cord near heating appliances and inflammable or combustible materials. To avoid traumas and property damage, do not try to repair the humidifier by yourself. Unplug the humidifier in the following cases: before discharge or filling of a tank with water;

before cleaning and maintenance; before assembling/ disassembling of elements; before displacement of the humidifier. Install the humidifier on flat dry surface.

Outgoing steam may damage exposed surfaces. Do not install the humidifier on the floor, as well as in close proximity to heating appliances, walls, furniture and other objects.

The manufacturer and vendor are not responsible for damages caused by incorrect position of the humidifier.

The humidifier should be installed on a rise – e.g. on a table, pedestal, etc.

Never fill the water in the humidifier through a diffuser. Do not immerse the humidifier in water or other liquids.

Do not install the humidifier in a passage or in other places, where it can be touched, overturned, etc. If the humidifier is not in use, unplug it.

Do not lay a power cable under a carpet or other objects. While placing the humidifier, be careful that you do not touch the power cable by accident.

Do not use the humidifier in damp rooms. Prevent the ingress of foreign objects into the humidifier.

Do not block an air intake and the diffuser with foreign objects. Do not sit or stand on the humidifier and do not put heavy objects on it.

To avoid the damage of the humidifier, do not mix the water used for humidification with essential oils, preservation agents, flavoring materials and other foreign substances.

The manufacturer and vendor are not responsible for damages of the humidifier caused by no fulfillment of this requirement. While unplugging the humidifier, do not pull the power cable and do not touch it with wet hands.

### 3. SPECIFICATIONS

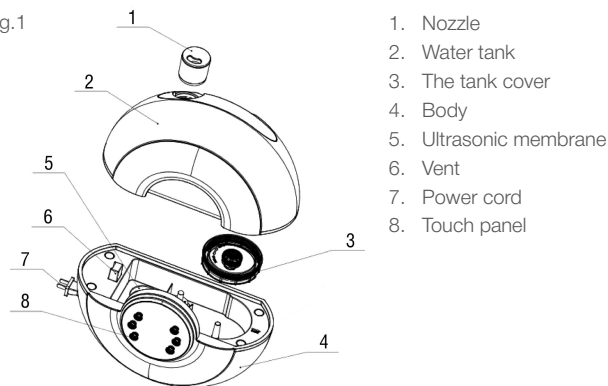
Table 1

Specifications	Unit	Value
Capacity of humidity	ml/h	300
Power supply	V/Hz	220-240~/50
Water tank	L	4
Rated power consumption	W	25
Rated current	A	0.11
Protection class rating	IP	X0
Electrical protection class rating		II
Device dimensions	mm	315x140x290
Net weight	kg	1.6
Service area	m <sup>2</sup>	20

The manufacturer reserves the right to change the set-list of the device (including liquid and powder components) for different supplies without prior notice. The changes either in no way influence the basic technical parameters of the device or may improve them, and also not violate the legislation or quality standards of the countries of manufacture, transit and selling. The changes in the set-list may result in changing of the weight and dimensions of the device, but not more than by +/- 5-20% (depending on the product category).

### 4. DESCRIPTION OF THE UNIT

Fig.1

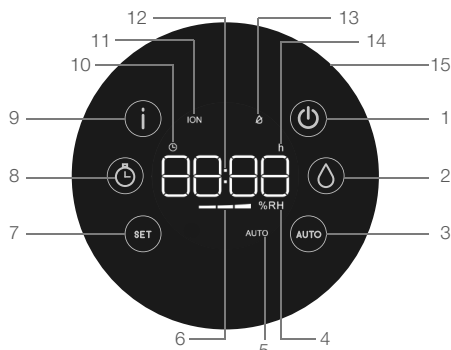


1. Nozzle
2. Water tank
3. The tank cover
4. Body
5. Ultrasonic membrane
6. Vent
7. Power cord
8. Touch panel

### 5. LIST OF PARTS

1. Air humidifier – 1 pc.
2. Instruction manual and warranty card - 1 pc.
3. Package – 1 pc.

## 6. APPLIANCE OPERATION




1. Power on / off button
2. Steam output selection button: low, medium, high
3. Automatic power on / off button
4. Symbol of humidity
5. Automatic mode indicator
6. Steam output indicators
7. Button setting the desired level of humidity from 20 to 85%
8. Set timer button to turn off the device
9. Air ionization on / off button
10. Timer indicator
11. Air ionization indicator
12. The display
13. Indicator of absence of water
14. The symbol of the hour
15. Light indication of operating modes

### Switching the device on


Fill the reservoir with water and install the device vertically on a flat, dry surface, then connect the appliance to the mains by inserting the plug of

the power cord into an outlet.

Press  button, the device will automatically start to work and the display will show the steam output indicators, the current humidity value, and the mode light will light around the control panel.

At the very beginning of the work, the level of spraying can be unstable, due to the difference in temperature and water quality. It will take some time for the water to vaporize on the ultrasonic membrane, and this process has stabilized. After 10-25 minutes of operation, the spray level gradually stabilizes.

### Steam output intensity adjustment

In order to change the intensity of the steam output, press the button  several times, the intensity of the steam output will change: low, medium, high, and accordingly the intensity of the steam output will be indicated by the indicators on the display and the intensity of the light indications of the modes around the control panel.

Comfortable conditions are achieved with a relative humidity of 40 to 60%.



### ATTENTION!

If the device generates a large amount of condensate on the top of the device and on objects near it, it is necessary to reduce the intensity of the steam output.



### Air ionization function

To turn the air ionization function on or off, press the  button. When the button is pressed, the negative ion generator turns on / off, and the ionization indicator on the control panel lights up / goes out.

The ionizer generates negatively charged ions (anions) and refreshes the air in the room. Anions strengthen the nervous and circulatory system, improve lung function and serve as effective protection against respiratory diseases (such as asthma and pneumonia). Anions clean the air of dust and smoke.


### Humidity control function

When this function is activated, the device will automatically turn off when reaching the set humidity level (more than 3%) and automatically turn on when the humidity level falls below the set humidity level.


To activate the humidity control function, press the  button. The display shows the set humidity value. Continue to press the  button to set the desired humidity level from 20% to 85% in 5% increments and select the desired humidity level. After setting, the set value flashes in the display for 3 seconds, after which the value of the current humidity is displayed. Press

the  button to turn off this function.


#### Timer to turn off the device

To set the timer time to turn off the device, press the button  several times, and the set timer time before the device is switched off will be reflected on the display from 1 to 24 hours, in increments of 1 hour. Within 3 seconds after setting, the set value will be memorized and will be displayed on the display. The device will switch off after the set time interval has elapsed. Turning off the instrument or setting the timer value [0] will cancel the timer to turn off the device.

#### Automatic operation mode

In automatic operation mode, the steam output intensity will be adjusted automatically. If the relative humidity level is less than 40%, the humidifier will operate with a high steam output rate. If the relative humidity is between 40% and 60%, the humidifier will operate at an average steam output rate. If the relative humidity level is more than 60%, then the humidifier will work with a low vapor yield. To turn this mode on and off, press the  button. When this button is pressed, the mode is switched on / off, the automatic mode indicator will light up / go out on the control panel.

#### Disabling the light indication

In this mode, the display backlight and the light indication of the operating modes around the control panel are turned off. To activate this mode, press and hold the  button for 3 seconds. To turn off this mode, press any button.

#### Automatic shut-off in the absence of water

If the water level in the tank drops below the minimum permissible level, the ultrasonic membrane of the device will automatically turn off, an audible signal will sound, the indicator will not light on the display, and the light indication of the modes around the control panel will glow red.

To continue the operation of the device it is necessary to fill the reservoir with water according to item 6 «Filling the reservoir with water», then connect the device to the electrical network.

#### Sound notification

When the appliance is switched on and off, and when the buttons are pressed, a beep is emitted.

#### Switching off the device

To turn off the device, press the button  and disconnect the device from the mains.

## 7. CLEANING AND MAINTENANCE

Before cleaning the device make sure that the plug is disconnected from the wall outlet. Otherwise, it may result in electric shock. Before cleaning, wait until the cooling water in the ground, so as not to burn your hands. Spend device cleaning once or twice a week. To clean the outer surface of the unit with a damp soft cloth. To avoid electric shock, do not scratch or damage the device while cleaning elements.

Do not use when cleaning the device thinner, benzene, dimethyl benzene, stiff brush, talcum powder and other materials, except water.

Wipe any remaining water inside the base with a damp, soft cloth.

To remove the remaining water in the small details, you can use a soft brush, then wipe it again with a soft cloth.

In the formation of dirt on the membrane, clean it with a soft brushes. Use a soft brush to erase the remnants of water on the surface of the device, and then wipe it again with a soft cloth. Rinse water tank and a clean water dispenser.

After removal of the residual water from the surface of the sprayer, wipe it with a soft cloth. Clean the outside surface with a damp, soft cloth.



### IMPORTANT!

To avoid deformation or wear of working surfaces, resulting in decreased atomizing or other malfunctions, do not use metallic brushes, blades or talc powder to wipe the atomizer's surface. The water tank may leak upon heavy impacts. In case of water leakage, immediately stop using the unit and contact a service center. To keep the unit dry, remove water after cleaning and make sure to dry the unit's case. Make sure that there is no water left inside the unit's case. Prior to a long break in using the unit, dry its surface and pack it into a plastic bag, then put it into a box. Store the unit in a low-humidity room. Storing the unit undried results in generation of mold

## 8. TROUBLESHOOTING

In case of emergency, please, use the troubleshooting methods shown in tables. If it is impossible to solve problems with these methods, apply to the service center.

Problem	Possible cause	Remedy
Poor atomizing (insufficient capacity)	The unit is operating in the minimized mode (low atomizing frequency)	There is no problem. If you need to switch to the intensive mode of operation, turn the regulator handle all the way to the right.
	The atomizer is clogged	Clean the atomizer.
	Temperature of water in the tank is too low	Set maximum capacity. The humidifier's capacity will go up after a while.
No atomizing	The power cord is poorly connected to the outlet	Connect the power cord into the outlet carefully
There is white deposit on objects around the humidifier (salts, separating out from water)	1. Lime deposits have formed on the membrane 2. There is a lot of salts in the water used (calcium and magnesium)	1. Clean the humidifier's membrane with a special brush 2. Use filtered water
Steam has an unpleasant odor	Stale water is used	Clean the unit according to the cleaning and servicing instructions and fill the tank with fresh water
	Remains of stale water or waste have accumulated in the unit's case or the atomizer	
Condensate is formed on the upper part of the humidifier and on surrounding objects, when it is operating.	1. High humidification intensity is set. 2. High room humidity and temperature.	Lower the humidification intensity by turning the on/off and steam outflow intensity regulator counterclockwise.
Water appears next to the humidifier, when it is operating.	1. High humidification intensity is set. 2. Lime deposits have formed on the membrane and in grooves for water (in the unit's base).	1. Lower the humidification intensity by turning the on/off and steam outflow intensity regulator counterclockwise. 2. Clean the unit according to the cleaning and servicing instructions.
Water appears next to the humidifier, when it is not operating	Water tank is leaking	You need to contact an authorized service center

## 9. TRANSPORTATION AND STORAGE

- When transporting, any possible impacts and movements of the package inside a vehicle must be avoided.
- Handling symbols on the units package must be strictly observed when transporting and storing it.

3.	Temperature requirements*	Transportation and storage	-30°C to +50°C
	Humidity requirements*		15% to 85% (no condensate)

We are researching new technologies and constantly improving the quality of our products. Specifications, design and scope of delivery may be changed without any prior notice.

\* Products must be stored in dry, ventilated storages at the temperature not lower than -30°C

## 10. DISPOSAL

Service life of the humidifier is 2 years.

At the end of its service life of humidifier should be utilized in accordance with regulations and procedures, which are in force at the place of utilization.

## СОДЕРЖАНИЕ

1. Важная информация	8
2. Меры предосторожности	9
3. Технические характеристики	10
4. Описание прибора	10
5. Комплект поставки	10
6. Наполнение резервуара водой	10
7. Эксплуатация прибора	11
8. Чистка и обслуживание прибора	13
9. Поиск и устранение неисправностей	14
10. Гарантийный талон	16

## Уважаемый покупатель!

**Благодарим Вас за удачный выбор и приобретение увлажнителя воздуха TIMBERK. Он прослужит Вам долго.**

**Увлажнитель воздуха повышает относительную влажность воздуха в помещении и нормализует микроклимат, помогая избежать пагубных явлений пониженной влажности.**

**Просим вас внимательно ознакомиться с руководством по эксплуатации перед тем, как вы начнете эксплуатацию изделия!**

## 1. ВАЖНАЯ ИНФОРМАЦИЯ

Производитель оставляет за собой право без предварительного уведомления покупателя вносить изменения в конструкцию, комплектацию или технологию изготовления изделия с целью улучшения его свойств. В тексте и цифровых обозначениях данного руководства могут быть допущены опечатки.

Если после прочтения руководства у Вас останутся вопросы по работе и эксплуатации прибора, обратитесь к продавцу или в специализированный сервисный центр для получения разъяснений. На изделии присутствует этикетка, на которой указаны все необходимые технические данные и другая полезная информация о приборе.

Используйте прибор только по назначению, указанному в данном руководстве.

Увлажнитель предназначен для увлажнения воздуха в помещении. Комфортные условия достигаются при относительной влажности воздуха от 40 до 60%. Недостаточная влажность воздуха приводит к высушиванию слизистых оболочек, что в свою очередь является причиной снижения иммунитета, головной боли, растрескивания губ, жжения в глазах, благоприятствует развитию инфекции и заболеваниям дыхательных путей, вызывает утомление, приводит к повышенной усталости глаз и ухудшению концентрации внимания, отрицательно влияет на состояние домашних животных и комнатных растений, приводит к усилению пылеобразования, повышению электростатического заряда синтетических тканей.



## 2. МЕРЫ ПРЕДОСТОРОЖНОСТИ

Перед вводом в эксплуатацию увлажнителя внимательно изучите данное руководство по эксплуатации и храните его для дальнейшего использования. При использовании прибора, необходимо соблюдать ряд мер предосторожности. Неправильная эксплуатация в силу игнорирования мер предосторожности может привести к причинению вреда здоровью пользователя и других людей, а также нанесению ущерба их имуществу. Увлажнитель предназначен для работы в жилых помещениях с соблюдением указанных условий эксплуатации. Использование увлажнителя не по назначению может создавать ситуации, опасные для жизни и здоровья людей.

Электроприбор должен находиться под наблюдением во время его эксплуатации, особенно, если неподалёку от него находятся дети.

Устройство не предназначено для использования лицами (включая детей) с ограниченными физическими, сенсорными или умственными возможностями, обладающими недостаточным опытом и знаниями, если они не находятся под наблюдением и не получили инструкции по использованию устройства от лица, ответственного за их безопасность. Необходимо следить, чтобы дети не играли с устройством.

Не используйте устройство, в целях, непредусмотренных этим руководством по эксплуатации.

Не допускается эксплуатировать увлажнитель, если его сетевой шнур имеет повреждения, а также, если увлажнитель неисправен, поврежден при падении или при других обстоятельствах. Увлажнитель должен эксплуатироваться только в полностью собранном виде.

Во избежание ожога при работающем увлажнителе не прикасайтесь к мембране увлажнителя. Из-за высокой частоты колебаний мембрана сильно нагревается.

Во избежание опасности поражения электрическим током, поврежденный сетевой шнур должен меняться только в авторизованных

сервисных центрах квалифицированными специалистами. Во избежание опасности поражения электрическим током не размещайте сетевой шнур рядом с нагревательными приборами и легковоспламеняющимися или горючими веществами.

Во избежание травм и повреждения имущества не пытайтесь самостоятельно ремонтировать увлажнитель. Для ремонта увлажнителя обращайтесь в авторизованный сервисный центр производителя.

Вынимайте сетевую вилку увлажнителя из сетевой розетки в следующих случаях:

перед сливом или заправкой резервуара водой; перед чисткой и техническим обслуживанием; перед монтажом/демонтажем элементов увлажнителя; перед перемещением увлажнителя на другое место.

Устанавливайте увлажнитель на ровной сухой поверхности. Выходящий из увлажнителя пар может повредить поверхности, на которые он попадает. Не устанавливайте увлажнитель на пол, а также в непосредственной близости от отопительных приборов, стен, мебели и других предметов.

За повреждения, полученные из-за неправильного расположения увлажнителя, изготовитель и продавец ответственности не несут.

Увлажнитель следует установить на каком-либо возвышении, например, на столе, тумбе и т.п. на расстоянии не менее 60 см от пола и не менее 10 см от стены.

Не погружайте увлажнитель в воду или другие жидкости.

Не устанавливайте увлажнитель на проходе или в других местах, где его могут задеть, опрокинуть и т.п.

Если увлажнитель не используется, отключите его от сети электропитания.

Не прокладывайте сетевой шнур под ковром или другими предметами. Расположите увлажнитель так, чтобы случайно не задеть шнур.

Не используйте увлажнитель во влажных помещениях. Чрезмерная влажность в помещении может привести к конденсации воды на окнах и на предметах мебели. Если это происходит, выключите увлажнитель.

Не допускайте попадания посторонних предметов в увлажнитель.

Не садитесь, не вставайте и не ставьте тяжелые предметы на увлажнитель.

Во избежание повреждения увлажнителя не добавляйте в используемую для увлажнения воду эфирные масла, консервирующие добавки, ароматизаторы и другие посторонние примеси.



### ПРИМЕЧАНИЕ:

Высокочастотные колебания мембраны ультразвукового увлажнителя не слышны и совершенно безопасны для людей и домашних животных.

За повреждения увлажнителя, полученные из-за невыполнения данного требования, изготовитель и продавец ответственности не несут. При отключении увлажнителя от сети электропитания не тяните за сетевой шнур и не дотрагивайтесь до него влажными руками.

### 3. ТЕХНИЧЕСКИЕ ХАРАКТЕРИСТИКИ

Таблица 1.

Технические характеристики	Единица измерения	Значение
Производительность по увлажнению	мл/ч	300
Параметры электропитания	В/Гц	220-240-/50
Объем бака	л	4
Номинальная потребляемая мощность	Вт	25
Номинальная сила тока	А	0.11
Степень защиты	IP	X0
Класс электрозащиты	II	II
Размеры прибора	мм	315x140x290
Вес нетто	кг	1.6
Рекомендуемая площадь	м²	20

Производитель оставляет за собой право для разных партий поставок без предварительного уведомления изменять комплектующие части изделия (включая заливаемые \ засыпаемые составляющие), не влияя при этом на основные технические параметры изделия или улучшая их, а также не нарушая изменениями принятые на территории страны производства \ транзита \ реализации стандарты качества и нормы законодательства.

Это может повлечь за собой изменение веса и габаритов изделия, но не более чем на +/- 5-20% (могут отличаться для разного вида изделий).

### 4. ОПИСАНИЕ ПРИБОРА



1. Распылитель
2. Резервуар для воды
3. Крышка резервуара с клапаном
4. Корпус
5. Ультразвуковая мембрана
6. Вентиляционное отверстие
7. Сетевой шнур с вилкой
8. Панель управления

### 5. КОМПЛЕКТ ПОСТАВКИ

1. Увлажнитель воздуха - 1 шт.
2. Руководство по эксплуатации и гарантийный талон - 1 шт.
3. Упаковка - 1 шт.

### 6. НАПОЛНЕНИЕ РЕЗЕРВУАРА ВОДОЙ

1. Снимите распылитель с резервуара, после чего резервуар для воды с корпуса прибора.
2. Переверните резервуар и откройте крышку резервуара с клапаном против часовой стрелки.
3. Наполните резервуар водой.
4. Закрутите крышку резервуара с клапаном по часовой стрелке. Убедитесь в плотной фиксации крышки резервуара. Убедитесь в том,

что резиновое кольцо установлено на крышку резервуара. Неполное выполнение вышеуказанных мер приводит к попаданию воздуха в резервуар для воды и как следствие к неисправности.

5. Установите резервуар для воды в корпус прибора, после чего установите распылитель.

6. Резервуар для воды имеет выемку, а внутренняя часть корпуса прибора имеет выступы для правильной установки резервуара.



## ВНИМАНИЕ!

Для работы прибора лучше использовать очищенную водопроводную воду, для этого воспользуйтесь обычным бытовым фильтром для воды. Это нужно для того, чтобы прибор дольше служил, а также для того, чтобы вокруг прибора не образовывался белый осадок.

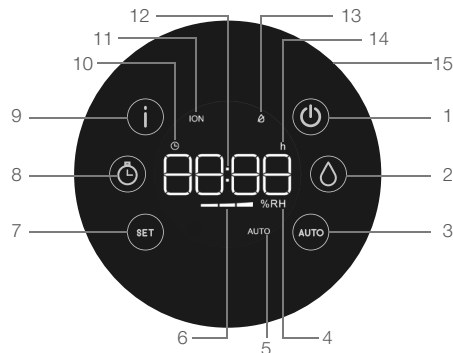
Белый осадок – это кальций и магний, которые входят в состав обычной водопроводной воды. При использовании не очищенной воды они выпускаются вместе с паром и оседают на окружающие предметы и поверхности. Хотя эти вещества являются безопасными для людей, в больших количествах они могут оказывать вредное воздействие на мебель.

Во избежание поражения электрическим током, перед тем, как разбирать прибор (снимать резервуар), отключите прибор от электросети! Не наполняйте резервуар иными жидкостями, за исключением водопроводной воды. Другой состав жидкостей оказывает вредное воздействие на внутренние детали и приводит к неисправности.

Не наполняйте прибор или резервуар для воды такими добавками как эфирное масло, ароматизирующее вещество, моющее средство, химические лекарственные препараты, теплая вода (свыше 40°) и т. д.

В противном случае резервуар для воды и внутренние детали прибора повредятся и придут в неисправность. Не заливайте воду непосредственно во внутреннюю часть прибора. Наличие воды внутри прибора может привести к неисправности прибора.

## 7. ЭКСПЛУАТАЦИЯ ПРИБОРА



1. Кнопка включения/выключения прибора
2. Кнопка выбора интенсивности выхода пара: низкая, средняя, высокая
3. Кнопка включения/выключения автоматического режима работы
4. Символ влажности
5. Индикатор автоматического режима работы
6. Индикаторы выхода пара
7. Кнопка установки необходимого уровня влажности от 20 до 85 %
8. Кнопка установки таймера на отключение прибора
9. Кнопка включения/выключения функции ионизации воздуха
10. Индикатор таймера
11. Индикатор ионизации воздуха
12. Дисплей
13. Индикатор отсутствия воды
14. Символ часа
15. Световая индикация режимов работы

## Включение прибора

Наполните резервуар водой и установите прибор строго вертикально на ровную сухую поверхность, после чего подключите прибор к электрической сети, вставив вилку сетевого шнура в розетку. Нажмите кнопку (☺), прибор автоматически начнет работать и на дисплее отобразятся индикаторы выхода пара, текущее значение влажности, а также загорится световая индикация режимов вокруг панели управления.

В самом начале работы уровень распыления может оказаться нестабильным, что вызвано разностью температуры и качеством воды. Потребуется некоторое время для того, чтобы на ультразвуковой мембране произошло преобразование воды в пар, и этот процесс стабилизировался. Через 10–25 минут работы уровень распыления постепенно стабилизируется.

## Регулировка интенсивности выхода пара

Для того чтобы изменить интенсивность выхода пара нажмите кнопку (☺) несколько раз, интенсивность выхода пара будет меняться: низкая, средняя, высокая, при этом соответственно интенсивность выхода пара будет отображаться индикаторами на дисплее, а также интенсивностью свечения световой индикации режимов вокруг панели управления.

Комфортные условия достигаются при относительной влажности воздуха от 40 до 60%.



## ВНИМАНИЕ!

Если при работе прибора образуется большое количество конденсата на верхней части прибора и на предметах рядом с ним, то необходимо уменьшить интенсивность выхода пара.

## Функция ионизации воздуха

Для включения и выключения функции ионизации воздуха нажимайте кнопку (i). При нажатии на кнопку включится/отключится генератор отрицательных ионов, на панели управления загорится/погаснет индикатор ионизации.

Ионизатор генерирует отрицательно заряженные ионы (анионы) и осевает воздух в помещении. Анионы укрепляют нервную и кровеносную системы, улучшают деятельность легких и служат эффективной защитой от респираторных заболеваний (таких как астма и пневмония). Анионы очищают воздух от пыли и дыма.

## Функция контроля влажности

При активации данной функции прибор будет автоматически выключаться при достижении установленного уровня влажности (при увеличении текущей влажности от установленной более 3%) и автоматически включаться при падении уровня влажности ниже установленного. Для включения функции контроля влажности нажмите на кнопку (☺). На дисплее отобразится устанавливаемое значение влажности. Продолжайте нажимать на кнопку (☺) для установки желаемого уровня влажности от 20% до 85%, с шагом 5% и выберите требуемый уровень влажности. После установки на дисплее мигает установленное значение в течение 3 секунд, после чего на дисплее отображается значение текущей влажности.

Нажмите кнопку (☺), чтобы отключить данную функцию.

## Таймер на отключение прибора

Для установки времени таймера на отключение прибора нажмите кнопку (☺) несколько раз, при этом установленное значение времени таймера до отключения прибора будет отражаться на дисплее от 1 до 24 часов, с шагом 1 час. В течение 3 секунд после установки установленного значения будет запомнено. Выключение прибора произойдет по истечению заданного временного интервала.

Выключение прибора или установка значения таймера [0] отменит таймер на выключение прибора.

## Автоматический режим работы

В автоматическом режиме работы интенсивность выхода пара будет регулироваться автоматически.

Если уровень относительной влажности составляет меньше 40%, то увлажнитель будет работать с высокой интенсивностью выхода пара. Если уровень относительной влажности составляет от 40% до 60%, то увлажнитель будет работать со средней интенсивностью выхода пара.

Если уровень относительной влажности составляет более 60%, то увлажнитель будет работать с низкой интенсивностью выхода пара.

Для включения и выключения данного режима нажимайте кнопку (AUTO). При нажатии на кнопку включится/выключится данный режим, на панели управления загорится/погаснет индикатор автоматического режима работы.

## Отключение световой индикации

В данном режиме отключается подсветка дисплея и световая индикация режимов работы вокруг панели управления.

Для включения данного режима нажмите и удерживайте кнопку (i) в течение 3 секунд. Для выключения данного режима нажмите любую кнопку.

### **Автоматическое отключение при отсутствии воды**


При понижении уровня воды в резервуаре ниже минимально допустимого ультразвуковая мембрана прибора автоматически отключится, прозвучит звуковой сигнал, на дисплее загорится, индикатор отсутствия воды, а световая индикация режимов вокруг панели управления будет светиться красным цветом.

Для продолжения работы прибора необходимо наполнить резервуар водой согласно п.6 «Наполнение резервуара водой», после чего подключить прибор к электрической сети.

### **Звуковое оповещение**

При включении и выключении прибора, а также при нажатии на кнопки издается звуковой сигнал.

### **Выключение прибора**

Для выключения прибора нажмите кнопку  и отключите прибор от электрической сети.

## **8. ОЧИСТКА И ОБСЛУЖИВАНИЕ**

Перед началом чистки прибора убедитесь в том, что вилка отключена от розетки. В противном случае, это может привести к поражению электрическим током. Перед началом чистки дождитесь полного охлаждения воды в корпусе прибора, чтобы не обжечь руки.

Проводите чистку прибора один или два раза в неделю.

Для протирки внешней поверхности прибора используйте влажную и мягкую ткань. Во избежание поражения электрическим током не царапайте и не повреждайте при чистке элементы прибора.

Не используйте при чистке прибора растворитель, бензин, диметилбензол, жесткую щётку, тальковую пудру и другие вещества, кроме воды.

Вытрите остатки воды внутри основания под резервуаром влажной и мягкой тканью.

Для удаления остатков воды на мелких деталях можно воспользоваться мягкой щеткой, а затем протереть их снова мягкой тканью.

При образовании грязи на мембране, очистите её с помощью мягкой щёточки.

Промойте резервуар для воды чистой водой.

Крышку промывайте аккуратно и без усилий, в противном случае это приведет к протечке воды через крышку.

Очистите внешнюю поверхность устройства влажной и мягкой тканью.



### **ВНИМАНИЕ!**

Во избежание деформации и стирания рабочих поверхностей, ведущих к снижению уровня распыления или другим неисправностям, не пользуйтесь металлическими щетками, лезвиями или тальковой пудрой.

При сильных ударах резервуар для воды может протекать. При появлении утечки воды немедленно прекратите работу прибора и обратитесь в сервисный центр. Для поддержания прибора в сухом состоянии удалите воду после очистки и обязательно просушите резервуар для воды и корпус. Убедитесь в том, что внутри резервуара для воды и корпуса не осталось воды. Перед длительной паузой в использовании прибора просушите резервуар и поверхности. Установите резервуар в корпус прибора и упакуйте увлажнитель в пластиковый пакет, а затем в коробку.

Храните прибор в помещении с низкой влажностью. Хранение прибора с водой или в непросушенном состоянии приводит к появлению плесени в корпусе прибора и внутри резервуара для воды, что не является гарантийным случаем.

## 9. ПОИСК И УСТРАНЕНИЕ НЕИСПРАВНОСТЕЙ

В случае возникновения аварийных ситуаций обратитесь к способам устарения неисправностей, указанных в таблице 2. В случае невозможности решения проблем указанными способами обратитесь в сервисный центр.

Неисправности и их возможные причины:

Таблица 2.

Неисправность	Возможная причина	Действия
Слабое распыление (недостаточная производительность)	Устройство работает в слабом режиме (низкая частота распыления)	Неисправность отсутствует. При необходимости увеличьте интенсивность выхода пара
	Засорился распылитель	Очистите распылитель
	Слишком низкая температура воды в резервуаре	Задать максимальную производительность. Через некоторое время производительность увлажнителя повысится
Отсутствует распыление	Плохо вставлена вилка сетевого шнура	Аккуратно вставьте вилку сетевого шнура
На предметах вокруг увлажнителя появился белый налет (соли, выделяющиеся из воды)	На мембране образовались известковые отложения	Почистить мембрану увлажнителя специальной кисточкой
	В используемой воде содержится много солей (кальция и магния)	Используйте фильтрованную воду
Пар имеет неприятный запах	Используется несвежая вода	Проведите очистку устройства в соответствии с инструкциями по очистке и обслуживанию и наполните резервуар свежей водой
	В корпусе прибора или распылителя скопились остатки несвежей воды или мусор	
Во время работы увлажнителя образуется конденсат на верхней части увлажнителя и на предметах рядом с ним	Установлена высокая интенсивность увлажнения	Уменьшите интенсивность увлажнения
	Высокая влажность и температура в помещении	
Во время работы увлажнителя вода рядом с ним	Установлена высокая интенсивность увлажнения	Уменьшите интенсивность увлажнения
	Резервуар для воды не плотно установлен на основании прибора и между ними имеется зазор	Выключите прибор и убедитесь, что резервуар для воды установлен правильно и без зазоров по отношению к основанию прибора
	На мембране и канавках для воды (в основании прибора) образовались известковые отложения	Проведите очистку устройства в соответствии с инструкцией

Неисправность	Возможная причина	Действия
Когда увлажнитель не работает, появляется вода рядом с ним	Резервуар для воды не герметичен	Обратитесь в авторизованный сервисный центр производителя
Разница между текущим уровнем влажности и показаниями гигрометра слишком высока	Внутри воздушного датчика влажности скопилась грязь	Очистите воздушное отверстие датчика влажности. Даже в одном помещении влажность может быть разной в зависимости от местоположения прибора и температуры
	Устройство работает в местах, где имеется воздействие окружающей среды, например - находится рядом с окном	Устанавливайте устройство в местах, где отсутствуют воздействия окружающей среды

Blank page with horizontal dotted lines for writing.



## ГАРАНТИЙНЫЙ ТАЛОН



**Уважаемый покупатель!**

**Обратите внимание на необходимость вашей подписи  
на стр. 20**

*[www.timberk.com](http://www.timberk.com)*



## Гарантийные обязательства

**Гарантийное обслуживание и ремонт бытового электрического увлажнителя воздуха TIMBERK с соблюдением требований и норм Изготовителя (TIMBERK) производится на территории РФ только в авторизованных сервисных центрах Изготовителя или мастерских, уполномоченных производителем и работающих с ним на основании договора.**

**Срок проведения экспертизы и гарантийного ремонта - не более 45 дней с момента приемки дефектного изделия авторизованным сервисным центром TIMBERK.**

Если при эксплуатации изделия Вы столкнулись с неполадками в его работе, которые Вы не можете устранить самостоятельно в строгом соответствии с Руководством по эксплуатации изделия, обратитесь к региональному представителю Изготовителя в России или в региональный авторизованный сервисный центр TIMBERK, уточнив адрес у продавца.

Полный перечень сервисных центров указан на сайте [www.timberk.com](http://www.timberk.com) или приложен отдельным списком в комплекте с изделием.

Также Вы можете обратиться в уполномоченную сервисную службу Изготовителя по телефону: +7 (495) 627-5285, либо по телефонам, указанным на сайте: [www.timberk.com](http://www.timberk.com), или отправить сообщение по электронному адресу: [ru.service@timberk.com](mailto:ru.service@timberk.com)

Если отсутствие надлежащим образом заполненного гарантийного талона на изделие или отсутствие чека с указанием изделия не позволяет идентифицировать изделие и факт его продажи на территории РФ, то Изготовитель вправе отказать в гарантийном обслуживании изделия.

При невозможности определить дату продажи изделия, гарантийный срок исчисляется с даты его производства.

Дата производства изделия определяется по реестру Изготовителя в соответствии с серийным номером изделия.

Официальный срок службы бытового электрического увлажнителя воздуха TIMBERK, установленный изготовителем, составляет 3 года, со дня передачи изделия потребителю.

Указанный срок службы действителен только при условии соблюдения правил эксплуатации и правильного ухода за изделием.

Во избежание недоразумений убедительно просим Вас внимательно

изучить Руководство по эксплуатации изделия и условия гарантийных обязательств, проверить правильность заполнения бланка гарантийного талона. Согласно требованиям Изготовителя, гарантийный талон действителен только при наличии четко и правильно указанных данных: модели, серийного номера изделия, даты покупки, данных фирмы-продавца, подписи покупателя. Соответствующие данные также должны быть указаны продавцом на отрывных талонах.

Модель и серийный номер изделия (на маркировочной (идентификационной) наклейке Изготовителя на изделии (TIMBERK ID) должны соответствовать указанным в гарантийном талоне продавцом. При нарушении этих условий, а также в случае, когда данные, указанные в гарантийном талоне, изменены или стерты, талон может быть признан недействительным.

Данным гарантийным талоном Изготовитель подтверждает принятие на себя обязательств по удовлетворению законных требований потребителей в случае обнаружения недостатков изделия, возникших по вине Изготовителя в течение установленного гарантийного срока.

Гарантийный срок для бытового электрического увлажнителя воздуха TIMBERK, установленный изготовителем, составляет 1 год, со дня передачи изделия потребителю.

Для ряда территорий могут действовать исключительные правила гарантии, увеличивающие срок на изделие или компоненты. Такие правила устанавливаются только по распоряжению Производителя официальным письмом Производителя.

Гарантийные обязательства дополняют и уточняют оговоренные законом обязательства, предполагающие соглашение сторон либо договор; выдаются Изготовителем в дополнение к законным правам потребителей и ни в коей мере их не ограничивают.

Гарантия Изготовителя действительна только на территории РФ на изделия, купленные на территории РФ и изготовленные для РФ.



### ВНИМАНИЕ!

Если изделие использовалось в соответствии с его целями применения, установленными Руководством по эксплуатации, в рамках осуществления предпринимательской деятельности, то гарантийный срок изделия составляет 3 (три) месяца с момента продажи изделия или 5 (пять) месяцев с момента производства изделия, если дата продажи не установлена.

### Изготовитель оставляет за собой право:

- отказать в гарантийном сервисном обслуживании изделия в случае несоблюдения изложенных ниже условий (см. «Досрочное прекращение гарантийного обслуживания»);
- самостоятельно инициировать независимую экспертизу для выяснения обстоятельств, приведших к выходу прибора из строя;
- сравнивать предоставленную маркировочную (идентификационную) наклейку изделия (TIMBERK ID) с данными реестров производства для проверки соответствия серийного номера изделия уникальным производственным номерам реестров.

Просим Вас хранить Гарантийный талон в течение всего гарантийного срока, установленного Изготовителем на приобретенное Вами изделие.

При покупке изделия требуйте от продавца проверку его комплектности и отсутствия механических повреждений в Вашем присутствии, а также правильного и четкого заполнения данного гарантийного талона. Претензии по некомплектности и выявленным механическим повреждениям после продажи изделия не принимаются.

Для гарантийного ремонта предъявляйте данный Гарантийный талон вместе с товарным (кассовым) чеком или другим документом, подтверждающим дату и факт продажи изделия на территории РФ.

### Досрочное прекращение гарантийного обслуживания.

Все условия гарантийного обслуживания регулируются Законодательством РФ и Законом РФ «О защите прав потребителей». В частности, отказ в бесплатном гарантийном обслуживании изделия может быть вызван:

- нарушением при оформлении гарантийного талона при продаже изделия;
- отсутствием товарного или кассового чека о продаже изделия или невозможностью определить продавца изделия;
- наличием следов механических повреждений, возникших после передачи изделия потребителю и явившихся возможной причиной возникновения дефекта;
- наличием повреждений, вызванных несоответствием стандартам параметров питающих сетей и других подобных внешних факторов, а также вызванных использованием нестандартных, неоригинальных (или некачественных) аксессуаров, принадлежностей, запасных частей, элементов и т.д.;
- нарушением правил Руководства по эксплуатации данного изделия;

- наличием следов несанкционированного вскрытия и/или ремонта изделия, повлекших за собой отказ в работе изделия;
- дефектом или отказом системы или ее части, где изделие использовалось как часть системы и это могло привести к дефекту или отказу изделия.

### Гарантийные обязательства не распространяются на перечисленные ниже части и принадлежности изделия:

- дополнительные приспособления, инструмент и документацию, прилагаемую к изделию;
- расходные части изделия, подразумевающие периодическую замену за счет потребителя (фильтрующие элементы и др.);
- части и узлы изделия, неисправность которых связана с естественным износом в процессе эксплуатации (фильтрующие элементы и т.д.);
- материалы, наклеенные на изделие, имеющие рекламное или информационное назначение, за исключением маркировочной (идентификационной) наклейки Изготовителя (TIMBERK ID).



### ВНИМАНИЕ!

Если в результате экспертизы/диагностики изделия установлено, что его недостатки возникли вследствие обстоятельств, за которые не отвечает продавец (изготовитель), либо недостатки в товаре отсутствуют, Потребитель обязан возместить продавцу (изготовителю или уполномоченной изготовителем организации) расходы на проведение экспертизы (диагностики), а также связанные с ее проведением расходы на хранение и транспортировку товара в соответствии с Законом РФ «О защите прав потребителей» № 171-ФЗ в ред. от 21.12.2004 ст. 18 п.5.

### **Изготовитель не несет гарантийных обязательств за изделие в следующих случаях:**

- если изделие использовалось в иных целях, не соответствующих его прямому назначению в соответствии с Руководством по эксплуатации;
- если на изделии отсутствует маркировочная (идентификационная) табличка Изготовителя (TIMBERK ID);
- если изделие имеет следы несанкционированного вскрытия, не предусмотренного Руководством по эксплуатации, и попыток неквалифицированного ремонта;
- если дефект вызван изменением/нарушением конструкции или схемы изделия, не предусмотренным Изготовителем;
- если обнаружены повреждения, вызванные попаданием внутрь изделия посторонних предметов, веществ, жидкостей, насекомых, скоплением большого количества пыли;
- если обнаружены повреждения, связанные с замерзанием внутри прибора жидкостей, отложением накипи на ультразвуковой мембране или внутренних поверхностях прибора, вызванных большим содержанием в воде солей железа, натрия, кальция, марганца и др.;
- если обнаружены повреждения, вызванные подключением к электрической сети с недопустимыми параметрами;
- если дефект вызван действием непреодолимых сил, несчастными случаями, умышленными или неосторожными действиями потребителя или третьих лиц;
- неправильного хранения (консервации / разборки-сборки на период хранения) изделия;

Изготовитель снимает с себя любую ответственность за возможный вред, прямо и или косвенно нанесенный продукцией TIMBERK людям, домашним животным, и имуществу, в случаях, если это произошло в результате несоблюдения правил и условий эксплуатации или вследствие неквалифицированного, обслуживания и ремонта изделия, умышленных или неосторожных действий потребителя или третьих лиц.



### **ВНИМАНИЕ!**

Если маркировочная (идентификационная) наклейка на изделие TIMBERK (TIMBERK ID) закреплена на изделии не плотно и существует риск ее утери, то вклейте ее в гарантийный талон на последней странице.

Гарантийные обязательства Изготовителя не распространяются на случаи возникновения неисправностей из-за использования химически жесткой воды без дополнительной предварительной фильтрации.

В случае несоблюдения потребителем правил и рекомендаций Руководства по эксплуатации Изготовитель не несет ответственности за возникшие при этом вышеперечисленные последствия.



### **ПРИМЕЧАНИЕ:**

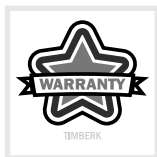
Пожалуйста, потребуйте от продавца полностью, четко и правильно заполнить бланк Гарантийного талона и отрывные талоны.

## Бланк гарантийного талона.

Заполняется фирмой-продавцом

Изделие	
Модель	
Серийный номер	
Дата продажи	
Фирма-продавец	
Адрес фирмы продавца	
Телефон фирмы продавца	

**Без подписи покупателя Гарантийный талон является недействительным.**



Печать  
фирмы-продавца

Заполняется сервисным центром

«А»

Дата приема	
Дата выдачи	
Особые отметки	

Печать  
сервисного центра

«Б»

Дата приема	
Дата выдачи	
Особые отметки	

Печать  
сервисного центра

«В»

Дата приема	
Дата выдачи	
Особые отметки	

Печать  
сервисного центра

«Г»

Дата приема	
Дата выдачи	
Особые отметки	

Печать  
сервисного центра

Подписывая данный гарантийный талон, Покупатель признает, что он:

1. Проверил заполнение информации.
2. Получил Руководство по эксплуатации на изделие на русском языке.
3. Владеет всей необходимой информацией о приобретенном изделии и его потребительских свойствах, характеристиках в соответствии со статьей 10 Закона РФ «О защите прав потребителей».
4. Ознакомлен и полностью согласен с условиями и ограничениями гарантийного обслуживания, а также с условиями установки / подключения / сервисного обслуживания / эксплуатации приобретенного изделия.
5. Не имеет претензий к внешнему виду / комплектности / работоспособности (если прибор проверялся в его присутствии при продаже) приобретенного изделия.

Подпись покупателя (с расшифровкой)

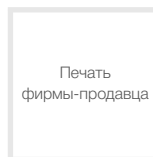
\_\_\_\_\_ / \_\_\_\_\_ /

Дата \_\_\_\_\_

**Отрывной талон«А»**

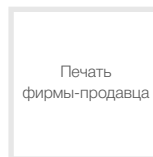
Изделие	
Модель	
Серийный номер	
Дата продажи	
Фирма-продавец	

Заполняется фирмой-продавцом

**Отрывной талон«Б»**

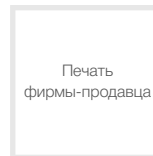
Изделие	
Модель	
Серийный номер	
Дата продажи	
Фирма-продавец	

Заполняется фирмой-продавцом

**Отрывной талон«В»**

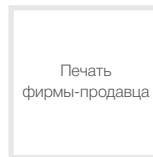
Изделие	
Модель	
Серийный номер	
Дата продажи	
Фирма-продавец	

Заполняется фирмой-продавцом

**Отрывной талон«Г»**

Изделие	
Модель	
Серийный номер	
Дата продажи	
Фирма-продавец	

Заполняется фирмой-продавцом



Дата приема	
Дата выдачи	
Номер заказа-наряда	
Проявление дефекта	
Мастер	
Код неисправности	

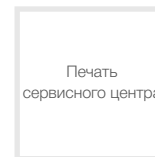
Заполняется сервисным центром



Печать  
сервисного центра

Дата приема	
Дата выдачи	
Номер заказа-наряда	
Проявление дефекта	
Мастер	
Код неисправности	

Заполняется сервисным центром



Печать  
сервисного центра

Дата приема	
Дата выдачи	
Номер заказа-наряда	
Проявление дефекта	
Мастер	
Код неисправности	

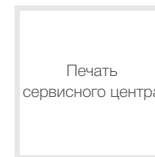
Заполняется сервисным центром



Печать  
сервисного центра

Дата приема	
Дата выдачи	
Номер заказа-наряда	
Проявление дефекта	
Мастер	
Код неисправности	

Заполняется сервисным центром



Печать  
сервисного центра



**RU**

**Руководство по эксплуатации  
техники Timberk написано  
на английском языке и  
переведено на русский язык.**



**BY**

В целях информирования покупателей техники Timberk, мы дополнительно сообщаем, что русский является государственным языком в следующих государствах:



**OS**

- в Российской Федерации
- в Республике Беларусь наряду с белорусским языком
- в частично признанной Южной Осетии наряду с осетинским языком



**KZ**

Русский язык является официальным языком (во всех случаях другой язык или другие языки выступают как государственный или второй официальный) в следующих государствах и на территориях:



**AK**



**KG**

- в Республике Казахстан
- в Киргизской Республике
- в административных единицах Украины, где доля носителей русского языка составляет более 10%, при соответствующем решении местных советов
- в Автономной Республике Крым



**UA**



**TJ**

В Республике Таджикистан русский язык признан по Конституции языком межнационального общения.



**CIS**

Официальным языком международной организации Содружество Независимых Государств (СНГ) является русский язык.



Если вы заметили ошибку в руководстве по эксплуатации, пожалуйста, сообщите нам об этом, связавшись с нами по электронной почте, указанной на сайте [www.timberk.com](http://www.timberk.com)

If you found any mistake in this manual please let us know by email listed on [www.timberk.com](http://www.timberk.com)







Blank page with horizontal dotted lines for writing.



[www.timberk.com](http://www.timberk.com)

**EAC**