

**META META SLIM Single-lever basin mixer without pop-up waste -
Champagne (22kt Gold)**

META

33 526 662



- 125mm projection
- fixed spout
- circular, air-enriched flow
- height of mixer 134 mm
- height up to aerator 52 mm
- hole diameter 35 mm
- 2x screw-in M 8 x 1 pressure hose, leak-tested
- max. flow 5.7 l/min
- lead-free
- This product can help a building meet the requirements of Green Building Rating Systems, e.g. LEED®, BREEAM®, DGNB
- WRAS 2003051

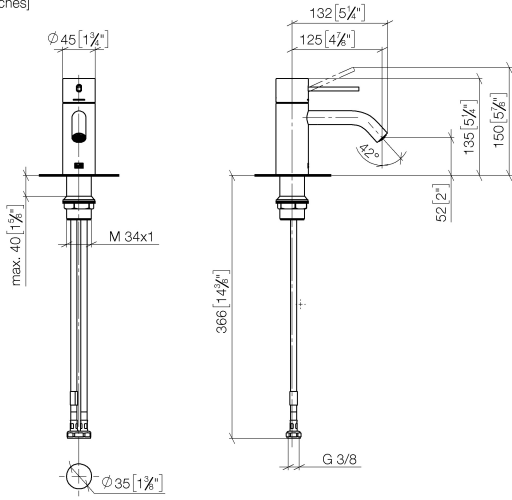
	Champagne (22kt Gold)	33 526 662-47
	Chrome	33 526 662-00
	Brushed Platinum	33 526 662-06
	Dark Chrome	33 526 662-19
	Light Gold	33 526 662-26
	Brushed Light Gold	33 526 662-27
	Brushed Durabronze (23kt Gold)	33 526 662-28
	Matte Black	33 526 662-33
	Brushed Bronze	33 526 662-42
	Brushed Champagne (22kt Gold)	33 526 662-46
	Brushed Chrome	33 526 662-93
	Brushed Dark Platinum	33 526 662-99



META META SLIM Single-lever basin mixer without pop-up waste - Champagne (22kt Gold)

META

33 526 662
mm [inches]



Flow rate chart





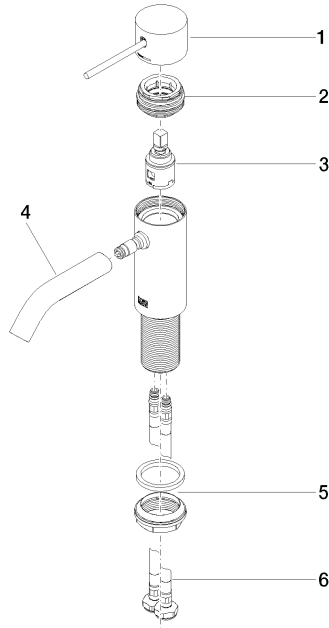
META META SLIM Single-lever basin mixer without pop-up waste - Champagne (22kt Gold)

META

33 526 662

Product version from 9/1/2021

Parts for other
finishes can be found
here: [Chrome](#)





META META SLIM Single-lever basin mixer without pop-up waste -
Champagne (22kt Gold)

META

33 526 662

Spare parts list

Product version from 9/1/2021