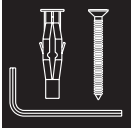
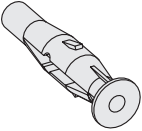
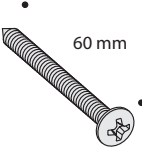

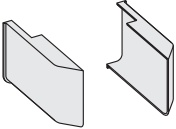
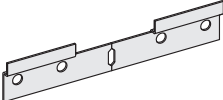


PRO



- | | | |
|-----------|--|-----|
| B |  | x 8 |
| C | 
60 mm | x 8 |
| D |  | x 2 |
| N |  | x 2 |
| Aa |  | x 2 |