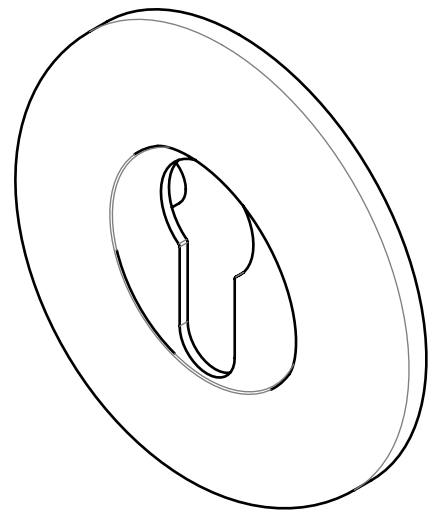
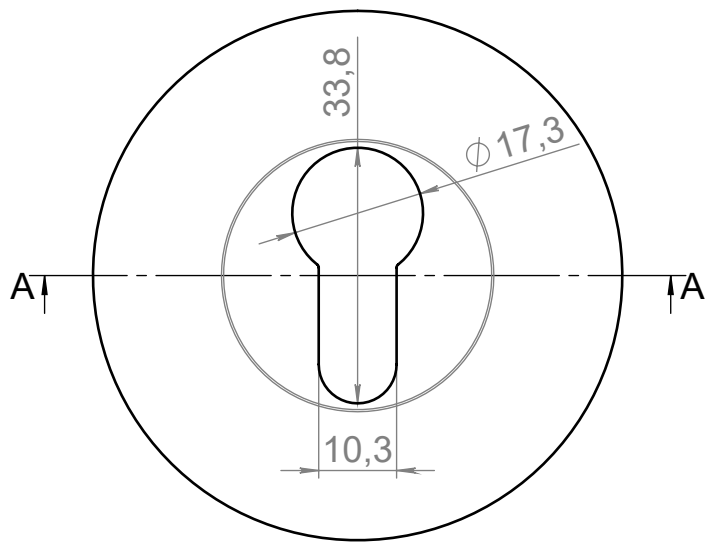
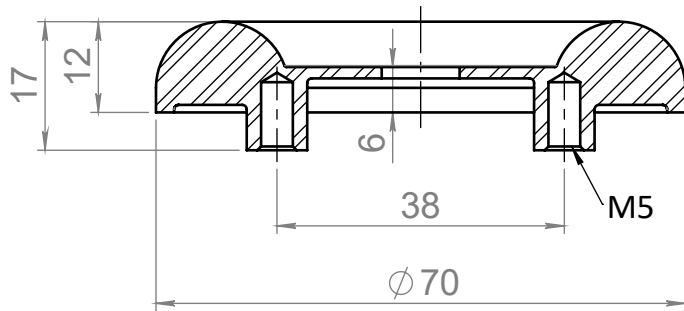


A-A



ITEM NO.	PART NUMBER	DESCRIPTION	QTY.
1	D 8158P	Escutcheon Ø70, external 6mm	1
Subject: Fat ext. escutcheon f/PZ cylinder Ø70x6, cc38, external, safety		Mass: 106.2068 g	Scale: 1:1 SHEET 1 OF 1
Category: Hardware		Material: Stainless steel AISI 316 Polished, electric blue	
Sign: TVA Date: 2020-07-28	Latest release: Release date:	Revision 0	Drawing no.: 17.9006.F1.060
Dimension without tolerance, follows DS/ISO 2768-mK. This drawing is the property of d line a/s, and is not to be copied or shown to third parties.		