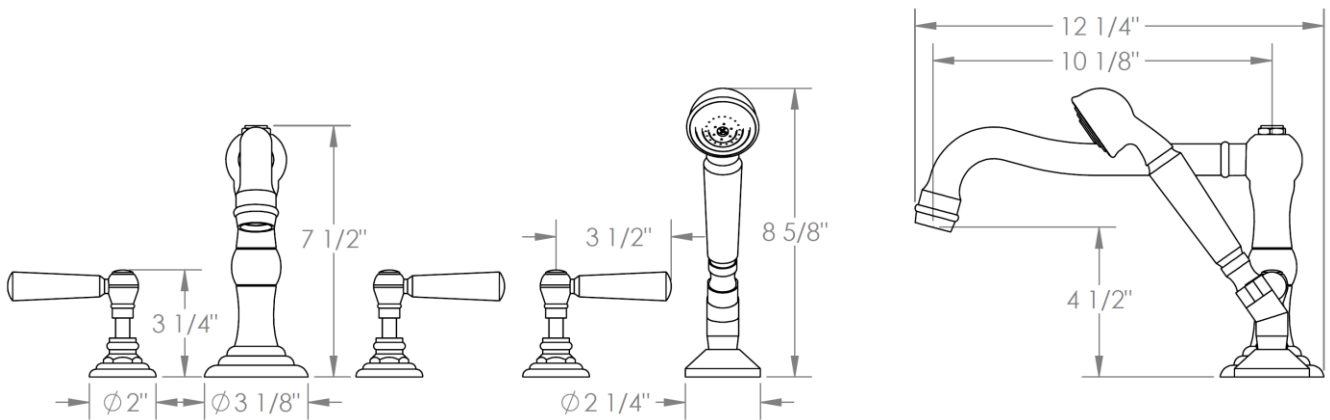


206-8.1-

Deck Mounted 5 Hole Bath Set with Hand Shower

Hand Shower Flow Rate: 1.75 GPM

Note: Some building codes may require remote pressure balance valves for anti-scald



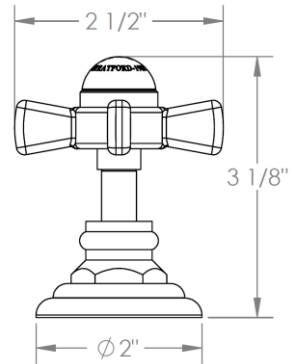
Meets the applicable requirements of ASME A112.18.1-2005/CSA B125.1-05, entitled "Plumbing Supply Fittings"

WATERMARK DESIGNS

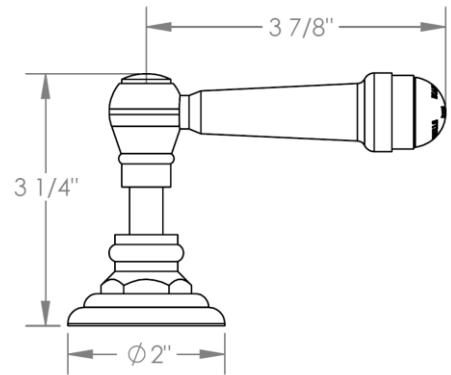
10/26/2018

HANDLE TRIM OPTIONS

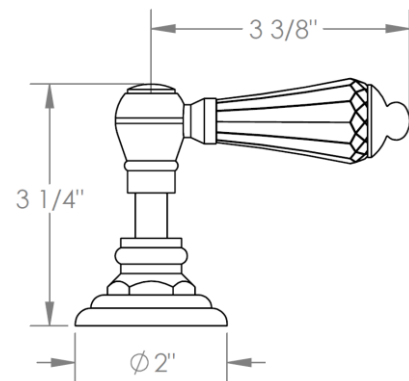
S1 - PRESTON



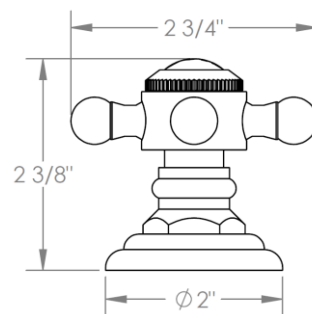
S2 - WALTHAM



SWA - DARIEN



V - WALES



S1A – NOTTINGHAM

