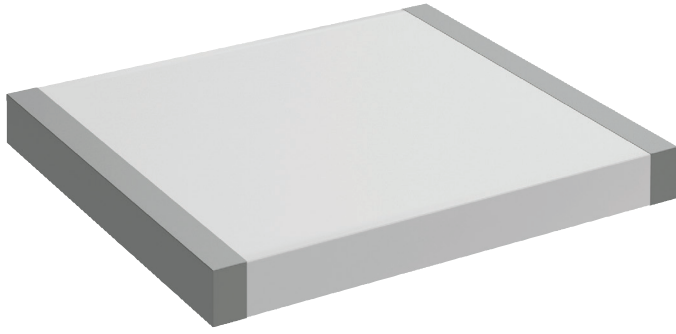


EB508



Collection: PARALLEL

Finish\*:



BME - Brushed  
Metal



BL - Matte Black

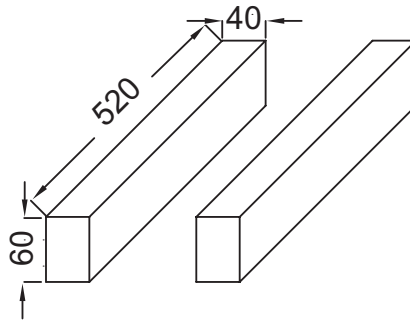
### Features

- DIMENSIONS: 52 x 6 x 4 cm
- MATERIAL: Metal
- Brushed metal
- WEIGHT: 0.8 kg
- INSTALLATION TYPE: Wall-hung

### Consumer benefits

- ESTHETICS: Esthetic function for a perfect finish, even with cutouts
- SAFETY: Protects if edges are damaged during cutting

### Technical drawing



Product Specification: End cap kit. EB508. Collection: PARALLEL. DIMENSIONS: 52 x 6 x 4 cm. WEIGHT: 0.8 kg. MATERIAL: Metal. INSTALLATION TYPE: Wall-hung. Brushed metal.