



SERIES ZRS200

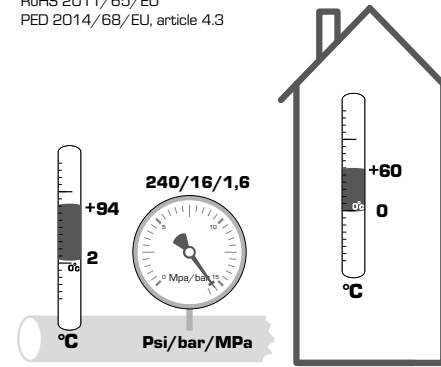


Mtrl.nr: 9814 0985 • Ritm.nr 9284 utg A • Rev 1606
Printed in EU

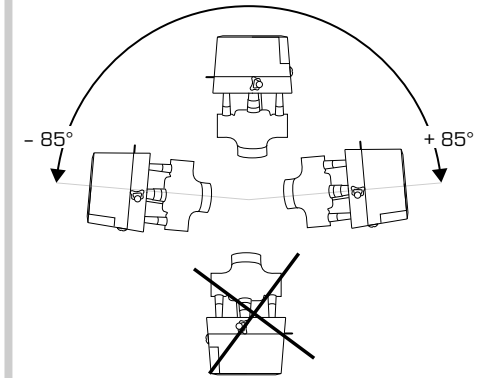


Series ZRS 22x
Series ZRS 23x

CE
LVD 2014/35/EU
EMC 2014/30/EU
RoHS 2011/65/EU
PED 2014/68/EU, article 4.3

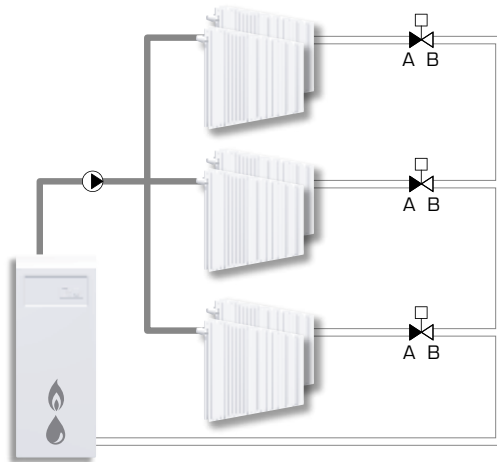


1

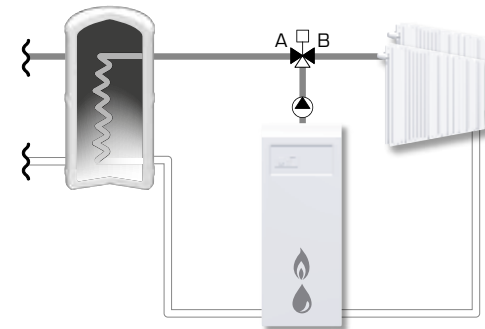


i

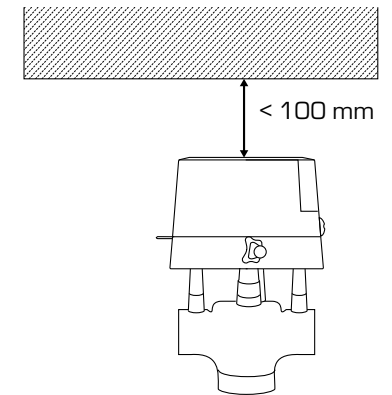
Series ZRS 22x



Series ZRS 23x



2

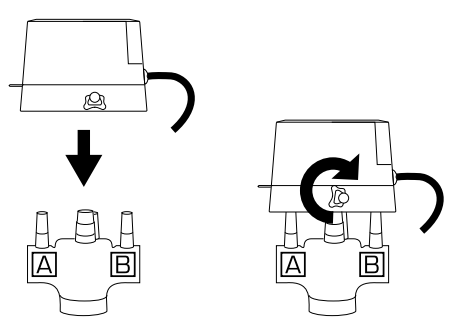
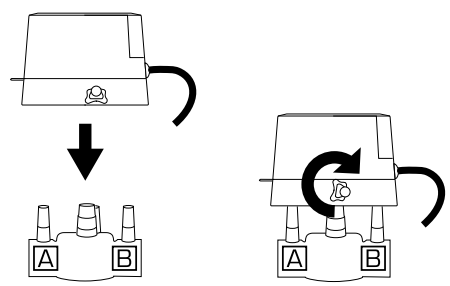
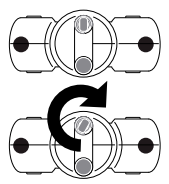
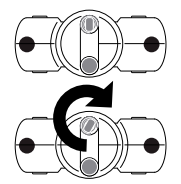


Piping Schematics are General Representations

3

Series ZRS 22x

Series ZRS 23x

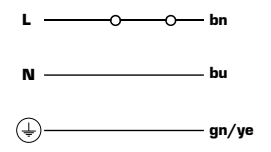
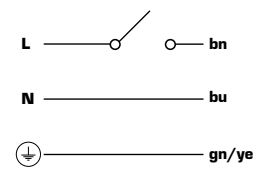
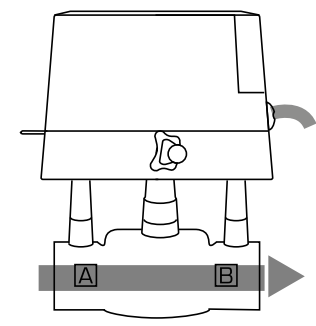
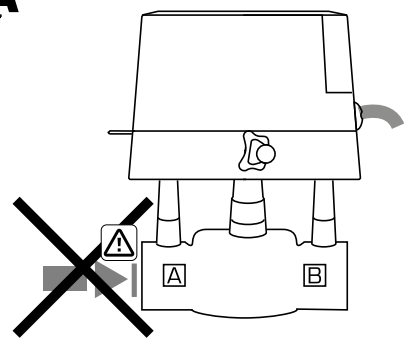


4A

Series ZRS 22x

4B

Series ZRS 22x

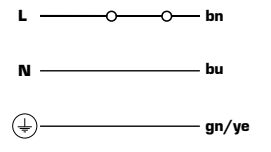
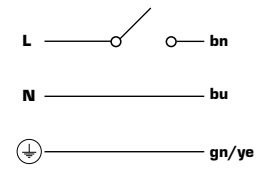
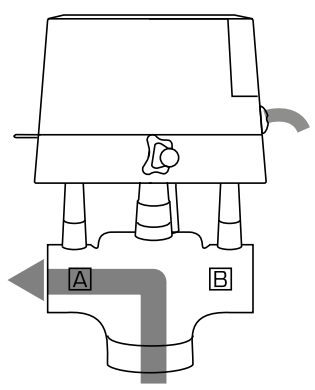
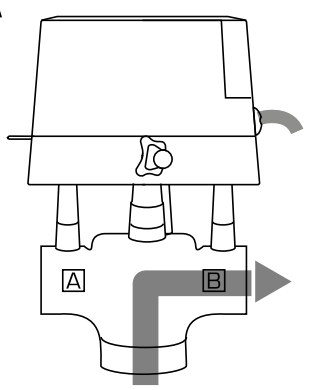


5A

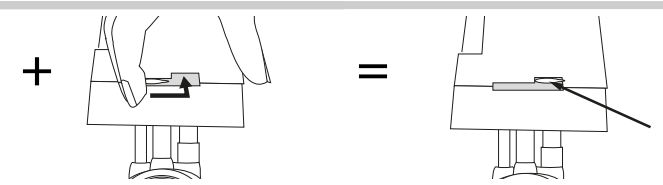
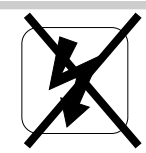
Series ZRS 23x

5B

Series ZRS 23x



i

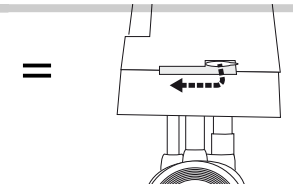
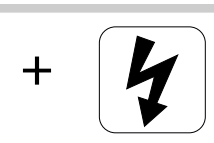
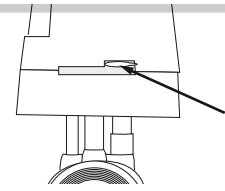
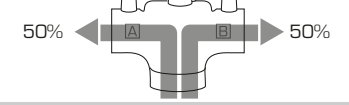
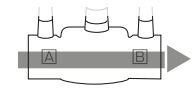


Series ZRS 22x

Series ZRS 23x



Manual mode =



Series ZRS 22x

Series ZRS 23x



Auto mode =

4A/4B

5A/5B