



WE ARE IB

Collection

AQUA

Article

EUA522ID

Description

Plate and handles trimkit

Box Dimensions

750x150x80 mm

Weight

6.0 kg

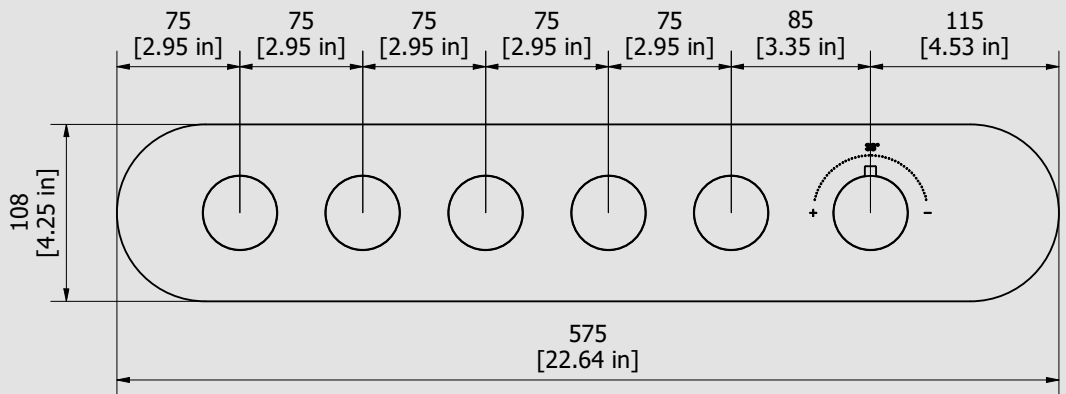
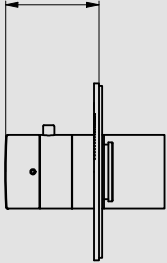


Finishes

- **CC** CHROME
- **PL** PLATINUM
- **SS** BRUSHED NICKEL
- **ON** NATURAL BRASS
- **BO** MATT WHITE
- **NP** MATT BLACK
- **CF** BLACK CHROME
- **CS** BRUSHED BLACK CHROME
- **II** PALE GOLD
- **IS** BRUSHED PALE GOLD
- **RS** ROSE GOLD
- **SR** BRUSHED ROSE GOLD
- **OO** GOLD
- **OS** BRUSHED GOLD
- **RR** ANTIQUE COPPER
- **BB** ANTIQUE BRONZE

Dimensions

MAX 57 [2.24 in]
MIN 47 [1.85 in]



Cartridge

-

Threaded fitting

-

Aerator

-

Flow Rate (+/-10%)

1 BAR
l/m

2 BAR
l/m

3 BAR
l/m

Production

Main body is a machined from a solid pieces

Material

BRASS
According to CuZn39Pb3 (CW614N)
Max Lead content: 2.5%

IB RUBINETTERIE s.p.a
via dei Pianotti 3/5
25068 Sarezzo (BS) - Italy -

T. +39 030 802101
F. +39 030 803097
info@weareib.it

P.IVA 01785230986
capitale sociale
€420.000,00 i.v.

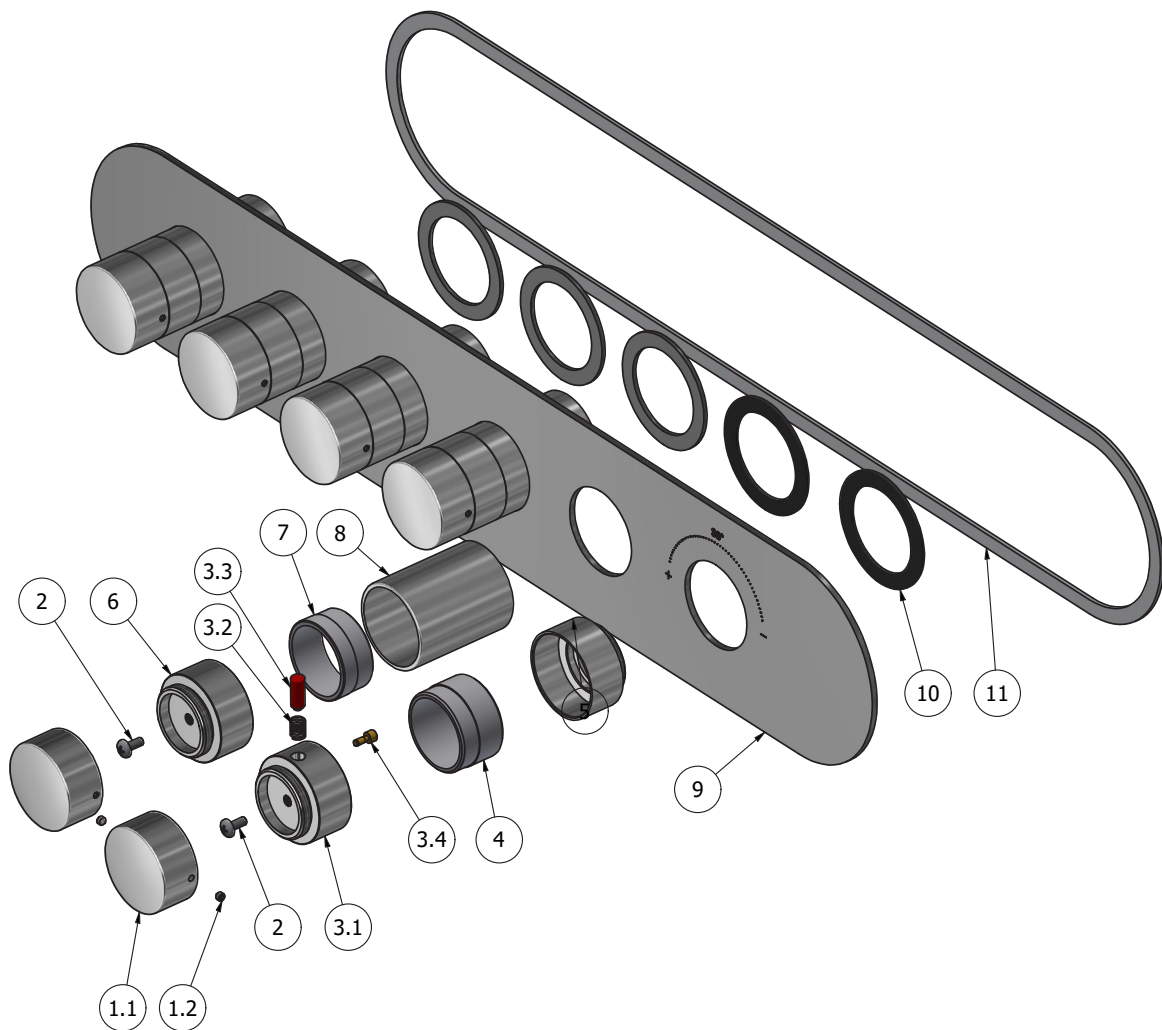
www.weareib.it





WE ARE IB

| Parts list | | | |
|------------|-------------|--|----|
| ELEM. | CODE | DESCRIPTION | QT |
| 1 | CP12900CC-1 | Pre Assembled handle Ø45 knurled | 6 |
| 1.1 | AC0012900 | Handle Ø45 H20 knurled | 1 |
| 1.2 | AQ0001082 | Grub screw M4x4 cone point | 2 |
| 2 | AQ0002160 | Screw M4x10 | 6 |
| 3 | CP0007043 | Thermoregulation handle body | 1 |
| 3.1 | AC0007043 | Handle thermoregulation | 1 |
| 3.2 | AQ0008086 | Spring for thermo plug Ø6 F0.5 L8.5 | 1 |
| 3.3 | AQ0008085 | Red plug for termo handle | 1 |
| 3.4 | AS0007045 | Pin for thermo lever button Ø6 H11.6 | 1 |
| 4 | AS0013025 | Centering bush Ø40.95 Ø41.95 H25 | 1 |
| 5 | AC0011535 | Support Ø45 H25.5 M36x1.5 | 1 |
| 6 | AC0007042 | Capacity handle body | 5 |
| 7 | AS0013024 | Centering bush Ø40.95 Ø40.35 H18.5 | 5 |
| 8 | AC0011537 | Flange for regulation tap Ø45 H56.7 | 5 |
| 9 | ACGC13120_O | Plate 575x108x3 5 holes elli horiz °C | 1 |
| 10 | AQ0013943 | Rubber packing Ø60xØ45 H2 | 6 |
| 11 | AQ0015836 | Rubber packing double-sided tape 570x105x8x2 | 1 |





WARRANTY

All IB Rubinetterie SpA products are warranted for 10 years from the date of purchase, for the following cases:

- Defects of casting, porosity and chrome plating.
- Operating defects caused by incorrect fabrication.

The warranty provides for repair or replacement of products with fabrication defects recognized by our technical office. There is no other type of compensation anche the merchandise must be returned FOB our warehouse. The warranty only cover surface defects (scatches, dings, etc.) on fitting that have not been installed and used, returned in its original packaging with all components. O-ring, gasket seals and components subject to wear proportional to use are warranted for 2 years.

The warranty is void in the following cases:

Error installing and putting the product into service.

Deterioration of finished surfaces due to use of cleaning products containing acids or abrasive substances. Deterioration of surface with finishes other than chrome plating. Their durability is, in fact, dependent on the user's care and gentleness of use.

Deterioration of the fitting due incorrect installation.

Improper repairs and maintenance performed without the company's prior authorization.

The warranty from IB Rubinetterie SpA is not renewable.

Cleaning

We recommended cleaning the finish surfaces with water and soap, using a soft cloth.

Do not use detergents that contain hydrochloric acid or abrasive substances.

