

**36" CORNER SHOWER BASE**

- High-Gloss Acrylic-Capped ABS with Polyurethane Reinforcement
- Uses Standard Shower Drain with 4 1/4" Strainer
- Textured Bottom
- 10 Year Limited Residential Warranty
- 1 Year Limited Commercial Warranty

Submitted Model No.: \_\_\_\_\_

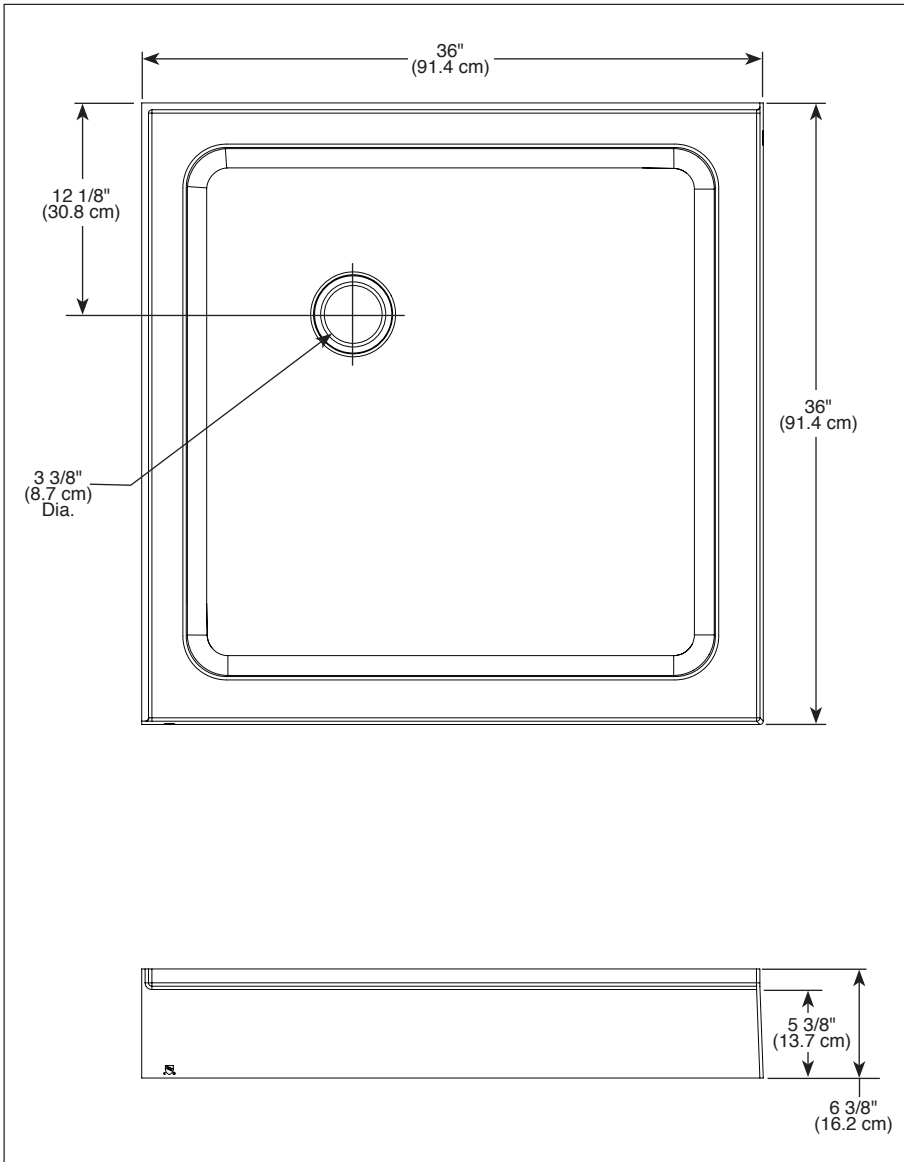
Specific Features: \_\_\_\_\_

**COLOR/FINISH:**

- White

**COMPLIES WITH:**

- CSA B45.5 / IAPMO Z124



55 E 111th Street, Indianapolis, Indiana 46280  
 350 South Edgeware Road, St. Thomas, ON N5P 4L1  
 © 2016 Masco Corporation of Indiana



see what Delta can do™

### 36" FRAMELESS CORNER SHOWER ENCLOSURE

- Designed to Fit Delta 36" Corner Shower Base
- Frameless 5/16" Clear Tempered Glass Door and Panel
- Enclosure Can Accommodate a Left or Right Side Opening
- Can Install With Tile Applications

#### COLOR/FINISH

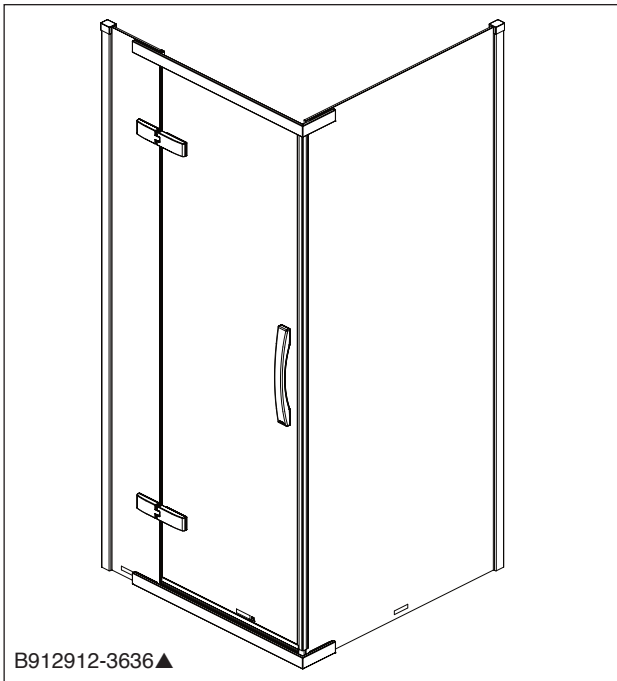
- Clear Glass
- Brushed Stainless Steel Hardware for SS model
- Chrome Hardware for PC model

#### WARRANTY:

- Delta® Tubs, Shower Bases, and Walls – 10 years from the date of purchase; or for commercial purchasers, 1 year from the date of purchase.
- Delta® Glass and Frameless Shower Enclosures and Shower Doors – 5 years from the date of purchase; or for commercial purchasers, 1 year from the date of purchase.
- Peerless® Tubs, Shower Bases, Shower Enclosures, and Walls – 3 years from the date of purchase; or for commercial purchasers, 1 year from the date of purchase.
- All Other Tubs, Shower Bases, Shower Enclosures, and Walls – 1 year from the date of purchase for the original consumer purchaser and commercial purchaser.

#### COMPLIES WITH:

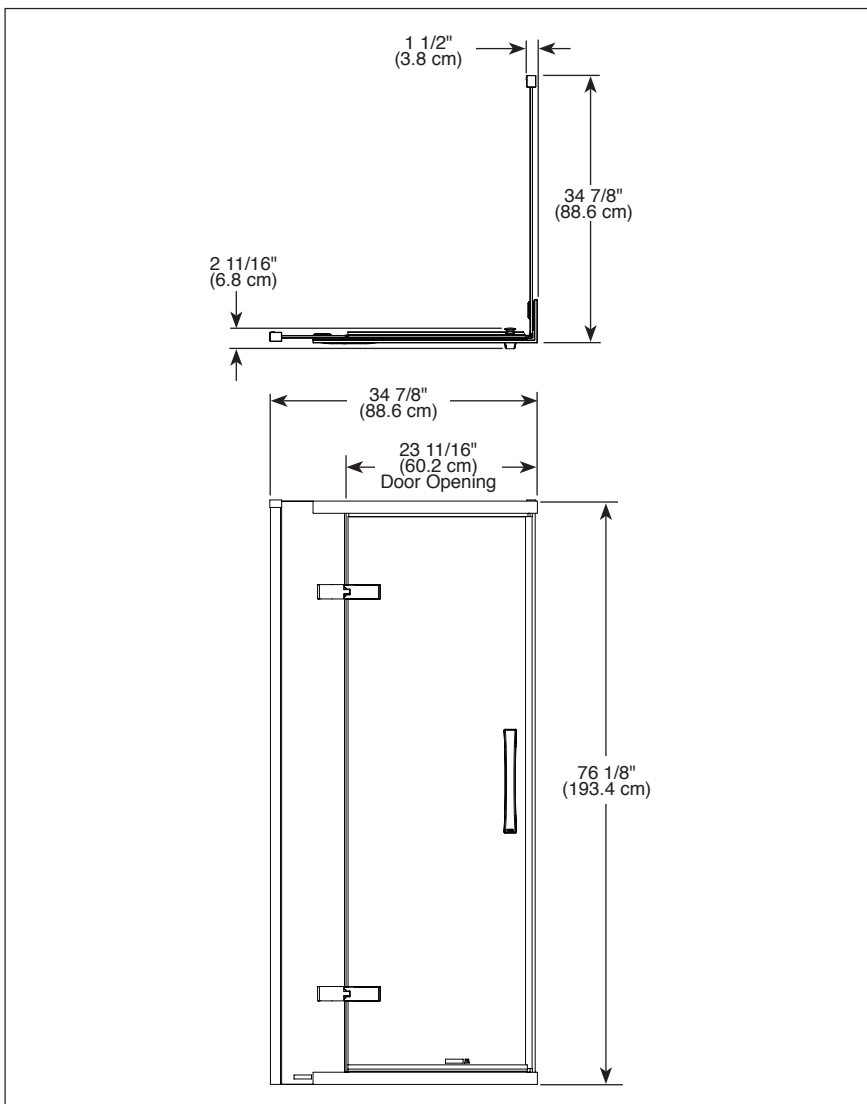
- IAPMO IGC 154



B912912-3636▲

Submitted Model No.: \_\_\_\_\_

Specific Features: \_\_\_\_\_



▲ Designate proper finish suffix. PC: Polished Chrome, SS: Stainless Steel

DSP-B-B912912-3636 Rev. B

#### Delta Faucet Company

55 E. 111th Street, Indianapolis, IN 46280  
350 South Edgeware Road, St. Thomas, ON N5P 4L1  
© 2020 Delta Faucet Company