

E60220



Collection: MICROMÉGA DUO

Finish*:



00 - Blanc

Main features:



Features

- DIMENSIONS: 150 x 100 x 58.50 cm
- MATERIAL: Acrylic
- VOLUME (L): 205/135
- FOOT HEIGHT: 123/170
- FEET: Supplied
- WASTE : Not supplied
- BATH WELL LENGTH: 92.5 cm
- TWO-PERSON BATH: No
- GUARANTEE: 10 years
- WEIGHT: 25 kg
- INSTALLATION TYPE: Drop-in
- SHAPE: Asymmetric
- WASTE DIAMETER: 5,2 cm
- STEP: Not supplied
- OPTIONAL COORDINATING PANEL: Yes
- BATH WELL WIDTH: 60 cm
- CAN BE EQUIPPED WITH A WHIRLPOOL SYSTEM: Yes

Consumer benefits

- COMFORT: Wide showering space
- BATHING ENJOYMENT: Built-in ergonomic headrest and gently-sloping back

Installation benefits

- EASIER INSTALLATION: "Easy" version for fast installation with factory-fitted frame and panel

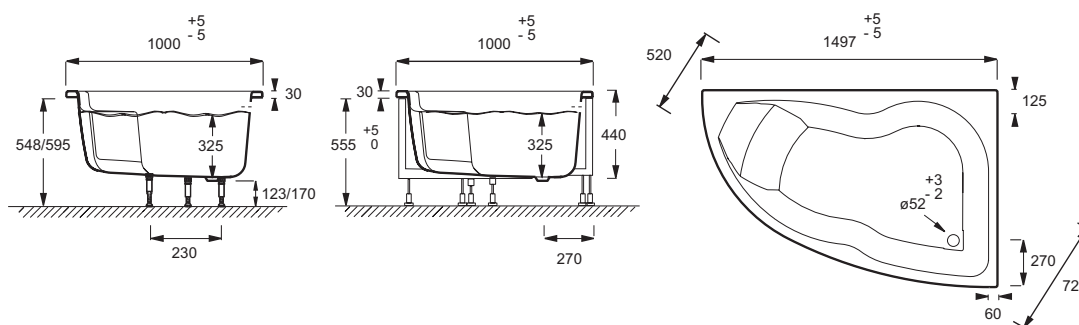
Required products

- E70174: Pop-up waste

Optional products

- E4910: Reversible bathscreen

Technical drawing



Product Specification: Asymmetric bath 150 x 100 cm, RH. E60220. Collection: MICROMÉGA DUO. DIMENSIONS: 150 x 100 x 58.50 cm. WEIGHT: 25 kg. MATERIAL: Acrylic. INSTALLATION TYPE: Drop-in. VOLUME (L): 205/135. SHAPE: Asymmetric. FOOT HEIGHT: 123/170. WASTE DIAMETER: 5,2 cm. FEET: Supplied. STEP: Not supplied. WASTE : Not supplied. OPTIONAL COORDINATING PANEL: Yes. BATH WELL LENGTH: 92.5 cm. BATH WELL WIDTH: 60 cm. TWO-PERSON BATH: No. CAN BE EQUIPPED WITH A WHIRLPOOL SYSTEM: Yes. GUARANTEE: 10 years.