



WE ARE IB

Collection

BOLD

Article

B2370

Description

Single lever kitchen mixer

Box Dimensions

400x250x140 mm

Weight

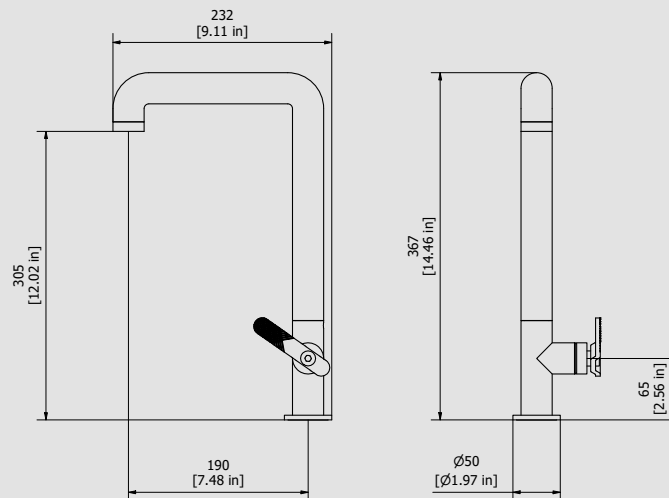
3.5 kg

Finishes

- **CC**
CHROME
- **PL**
PLATINUM
- **SS**
BRUSHED
NICKEL
- **ON**
NATURAL
BRASS
- **BO**
MATT
WHITE
- **NP**
MATT
BLACK
- **CF**
BLACK
CHROME
- **CS**
BRUSHED
BLACK
CHROME
- **II**
PALE
GOLD
- **IS**
BRUSHED
PALE GOLD
- **RS**
ROSE
GOLD
- **SR**
BRUSHED
ROSE GOLD
- **OO**
GOLD
- **OS**
BRUSHED
GOLD
- **RR**
ANTIQUÉ
COPPER
- **BB**
ANTIQUÉ
BRONZE



Dimensions



Cartridge

IB 25mms Ceramics discs Cartridge

Hoses

Inox hoses G3\8" female 450 mms long

Aerator

M24x1 perlator coin slot

Flow Rate (+/-10%)

1 BAR	2 BAR	3 BAR
3 l\m	4.4 l\m	4.5 l\m

Production

Main body is a single hot stamped pieces

Material

BRASS
According to CuZn42 (CW510L)
Max Lead content:0.2%

IB RUBINETTERIE s.p.a
via dei Pianotti 3/5
25068 Sarezzo (BS) - Italy -

T. +39 030 802101
F. +39 030 803097
info@weareib.it

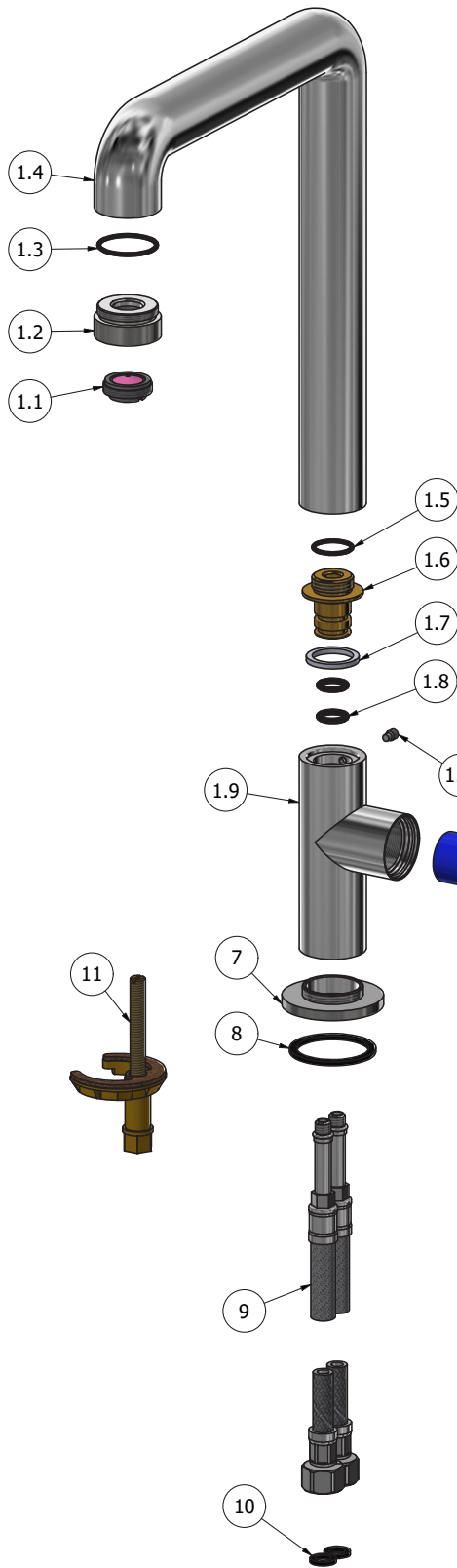
P.IVA 01785230986
capitale sociale
€420.000,00 i.v.

www.weareib.it





WE ARE IB



Parts list			
ELEM.	CODE	DESCRIPTION	QT
1	CPBD370CC-1	Kitchen preassembled	1
1.1	AQ0015355	Perlator coin slot M24x1 1.2 gpm (45.2060.000)	1
1.2	AC0015160	Support for aerator Ø33 M30x1.5 H16 knurled	1
1.3	AQ0010564	OR 26.7x1.78 NBR 70 SH	1
1.4	CC0002330	Spout Ø33 H262 L223	1
1.5	AQ0004630	OR 17.16x1.78 NBR 70 SH	1
1.6	AS0012692	Insert for spout Ø30 G1/2" L30.4 kitchen	1
1.7	AQ0007140	Antifriction ring Ø26 Ø20.3 H2.5	1
1.8	AQ0001320	OR 10.78x2.62 NBR 70 SH	2
1.9	CC0002270	Washbasin mixer body Ø33 H100 L56.5	1
1.10	AQ0007178	Grubscrew M5x8 half dog point	1
1.11	AQ0015157	Ceramic cartridge Ø25 closed Ø5.9 x 4.9 (K25 OPC B)	1
1.12	AS0015162	Nut Ø28.5 H14.5 M27x1	1
1.13	AQ0009815	OR 23.52x1.78 NBR 70 SH	1
1.14	AQ0015158	Antifriction ring Ø30.8 Ø29 H2.2	1
1.15	AC0016153	Cover for nut Ø33 H14.8 R20	1
2	AQ0015291	Antifriction ring Ø21.8 Ø16 H2.8	1
3	AC0015164	Handle's cover Ø33 H15 knurled	1
4	CC0002276	Handle 18 L94 H30.5 M10x1	1
5	AQ0015357	Grubscrew M3x10 flat point	1
6	AC0015166	Screw Ø16 M3 H16	1
7	AC0015167	Base Ø50 M30x1 H10 knurled	1
8	AQ0008012	Plane seal Ø42.5x35.5x2	1
9	AQ0013440		2
10	AQ0003060	Rubber packing G3/8" (14.5x9x2)	2
11	AQ0015159	Fixing set	1



WARRANTY

All IB Rubinetterie SpA products are warranted for 10 years from the date of purchase, for the following cases:

- Defects of casting, porosity and chrome plating.
- Operating defects caused by incorrect fabrication.

The warranty provides for repair or replacement of products with fabrication defects recognized by our technical office. There is no other type of compensation anche the merchandise must be returned FOB our warehouse. The warranty only cover surface defects (scatches, dings, etc.) on fitting that have not been installed and used, returned in its original packaging with all components. O-ring, gasket seals and components subject to wear proportional to use are warranted for 2 years.

The warranty is void in the following cases:

Error installing and putting the product into service.

Deterioration of finished surfaces due to use of cleaning products containing acids or abrasive substances. Deterioration of surface with finishes other than chrome plating. Their durability is, in fact, dependent on the user's care and gentleness of use.

Deterioration of the fitting due incorrect installation.

Improper repairs and maintenance performed without the company's prior authorization.

The warranty from IB Rubinetterie SpA is not renewable.

Cleaning

We recommended cleaning the finish surfaces with water and soap, using a soft cloth.

Do not use detergents that contain hydrochloric acid or abrasive substances.

