



IB RUBINETTI

Collection

BELMONDO

Article

BL250

Description

Wall mounted bath filler

Box Dimensions

360 x 220 x 220 mm

Weight

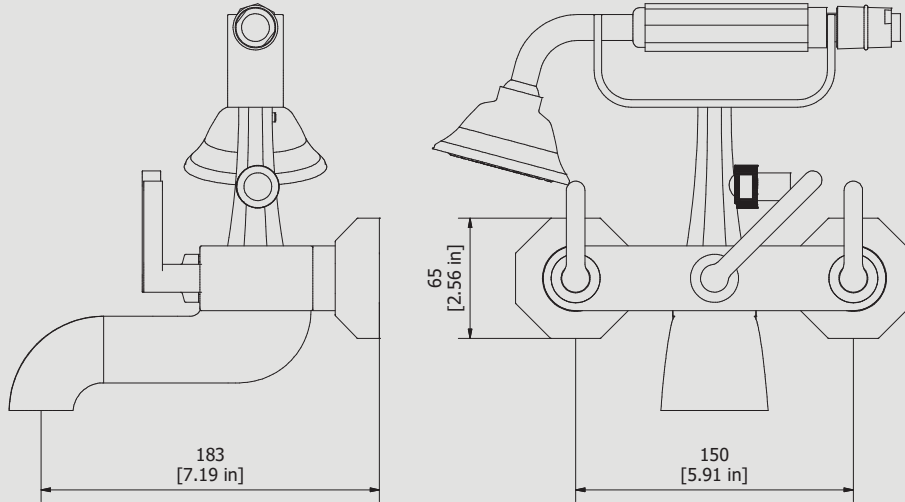
5.1 kg

Finishes

- **CC**
CHROME
- **CF**
BLACK CHROME
- **OO**
GOLD
- **BB**
ANTIQUE BRONZE
- **SS**
BRUSHED NICKEL
- **CS**
BRUSHED BLACK CHROME
- **BO**
MATT WHITE
- **ONP**
MATT BLACK
- **IS**
BRUSHED PALE GOLD
- **OS**
BRUSHED GOLD
- **II**
PALE GOLD
- **RR**
ANTIQUE COPPER
- **RS**
ROSE GOLD
- **ON**
NATURAL BRASS
- **SR**
BRUSHED ROSE GOLD
- **PL**
PLATINUM



Dimensions



Ceramic headwork

G1/2" ceramic headwork

Threaded fitting

G1/2" male

Aerator

Flow Rate (+/-10%)

1 BAR
32.5 l/min

2 BAR
45.8 l/min

3 BAR
56 l/min

Production

Main body is a single casted pieces

Material

BRASS
According to CuZn35Pb2AL-B (CB752S)
Max Lead content: 1.36%

IB RUBINETTERIE s.p.a
via dei Pianotti 3/5
25068 Sarezzo (BS) - Italy -

T. +39 030 802101
F. +39 030 803097
info@ibrubinetterie.it

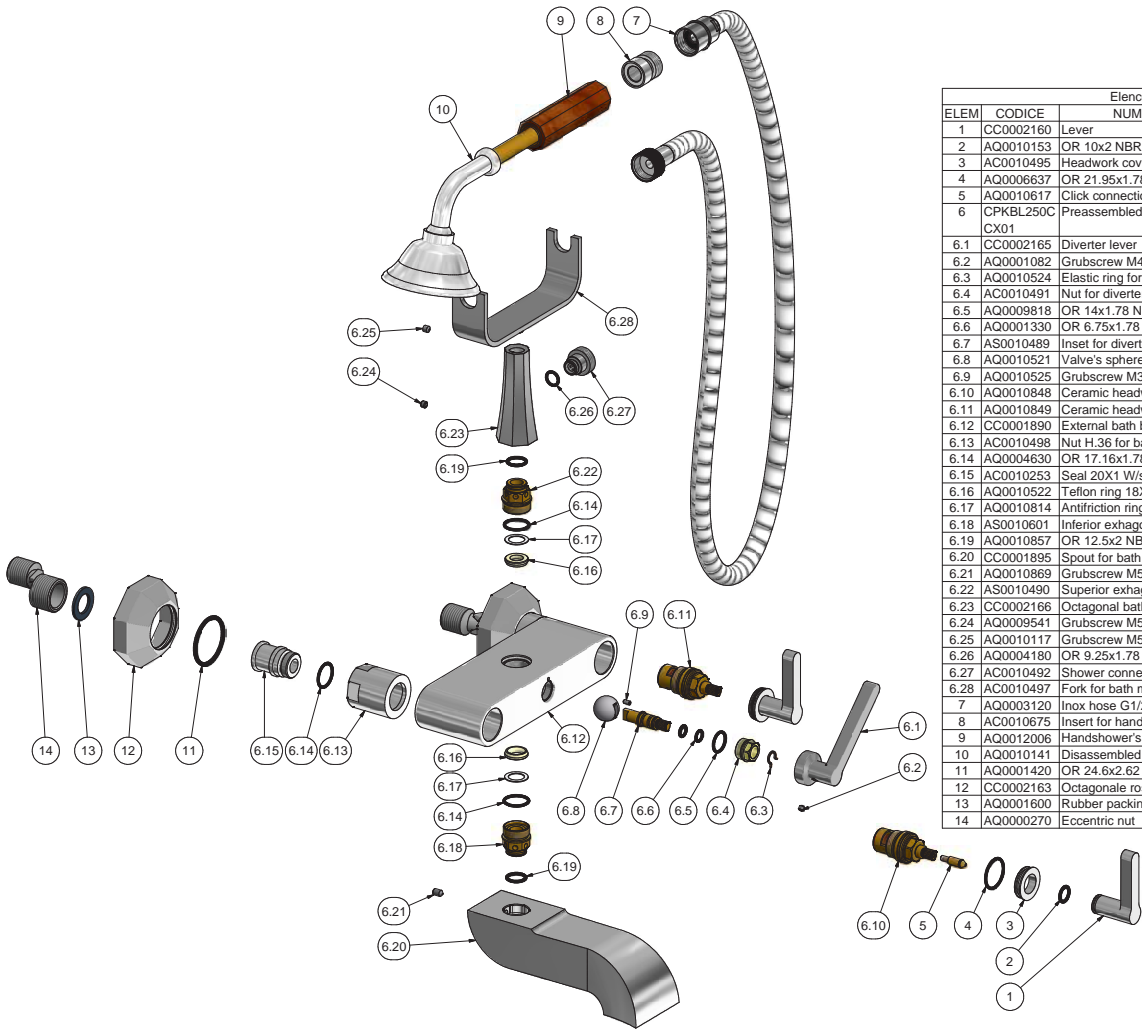
P.IVA 01785230986
capitale sociale
€420.000,00 i.v.

WWW.IBRUBINETTI.IT





IB RUBINETTI



Elenco parti			
ELEM	CODICE	NUMERO DI MAGAZZINO	QT
1	CC0002160	Lever	2
2	AQ00010153	OR 10x2 NBR 70 SH	2
3	AC00010495	Headwork cover	2
4	AQ0006637	OR 21.95x1.78 NBR 70 SH	2
5	AQ00010617	Click connection for headworks with ring	2
6	CPKBL250C	Preassembled external bath filler	1
6.1	CC0002165	Diverter lever	1
6.2	AQ0001082	Grubscrew M4x4 p.c.	1
6.3	AQ00010524	Elastic ring for diverter	1
6.4	AC00010491	Nut for diverter rod	1
6.5	AQ0009818	OR 14x1.78 NBR 70 SH	1
6.6	AQ0001330	OR 6.75x1.78 NBR 70 SH	2
6.7	AS00010489	Inset for diverter rod	1
6.8	AQ00010521	Valve's sphere for diverter	1
6.9	AQ00010525	Grubscrew M3x6	1
6.10	AQ00010848	Ceramic headwork 90°right	1
6.11	AQ00010849	Ceramic headwork 90°left	1
6.12	CC0001890	External bath body	1
6.13	AC00010498	Nut H.36 for bath	2
6.14	AQ00004630	OR 17.16x1.78 NBR 70 SH	4
6.15	AC00010253	Seal 20X1 W/seat for valve	2
6.16	AQ00010522	Teflon ring 18X10.3X4	2
6.17	AQ00010814	Antifriction ring Ø18.2x12.5x0.5	2
6.18	AS00010601	Inferior exagonal nut for diverter	1
6.19	AQ00010857	OR 12.5x2 NBR 70 SH	2
6.20	CC0001895	Sput for bath	1
6.21	AQ00010869	Grubscrew M5x8 p.c.	1
6.22	AS00010490	Superior exagonal nut for diverter	1
6.23	CC0002166	Octagonal bath extension H75	1
6.24	AQ0009541	Grubscrew M5x4 p.p.	1
6.25	AQ00010117	Grubscrew M5x4 p.c.	1
6.26	AQ00004180	OR 9.25x1.78 NBR 70 SH	1
6.27	AC00010492	Shower connection piece	1
6.28	AC00010497	Fork for bath mixer	1
7	AQ0003120	Inox hose G1/2" F G1/2" F cone	1
8	AC00010675	Inset for handshower	1
9	AQ00012006	Handshower's handle	1
10	AQ00010141	Disassembled Old hand shower	1
11	AQ00001420	OR 24.6x2.62 NBR 70 SH	2
12	CC0002163	Octagonale rosette	2
13	AQ00001600	Rubber packing 24x16x2 G3/4"	2
14	AQ00000270	Eccentric nut	2



WARRANTY

All IB Rubinetterie SpA products are warranted for 10 years from the date of purchase, for the following cases:

- Defects of casting, porosity and chrome plating.
- Operating defects caused by incorrect fabrication.

The warranty provides for repair or replacement of products with fabrication defects recognized by our technical office. There is no other type of compensation anche the merchandise must be returned FOB our warehouse. The warranty only cover surface defects (scatches, dings, etc.) on fitting that have not been installed and used, returned in its original packaging with all components. O-ring, gasket seals and components subject to wear proportional to use are warranted for 2 years.

The warranty is void in the following cases:

Error installing and putting the product into service.

Deterioration of finisched surfaces due to use of cleaning products containing acids or abrasive substances. Deterioration of surface with finishes other than chrome plating. Their durability is, in fact, dependent on the user's care and gentleness of use.

Deterioration of the fitting due incorrect installation.

Improper repairs and maintenance performed without the company's prior authorization.

The warranty from IB Rubinetterie SpA is not renewable.

Cleaning

We recommended cleaning the finish surfaces with water and soap, using a soft cloth.

Do not use detergents that cointain hydrochloric acid or abrasive substances.

