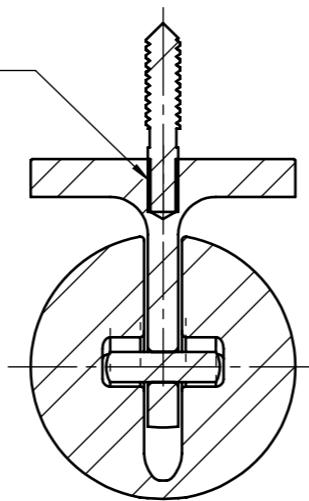


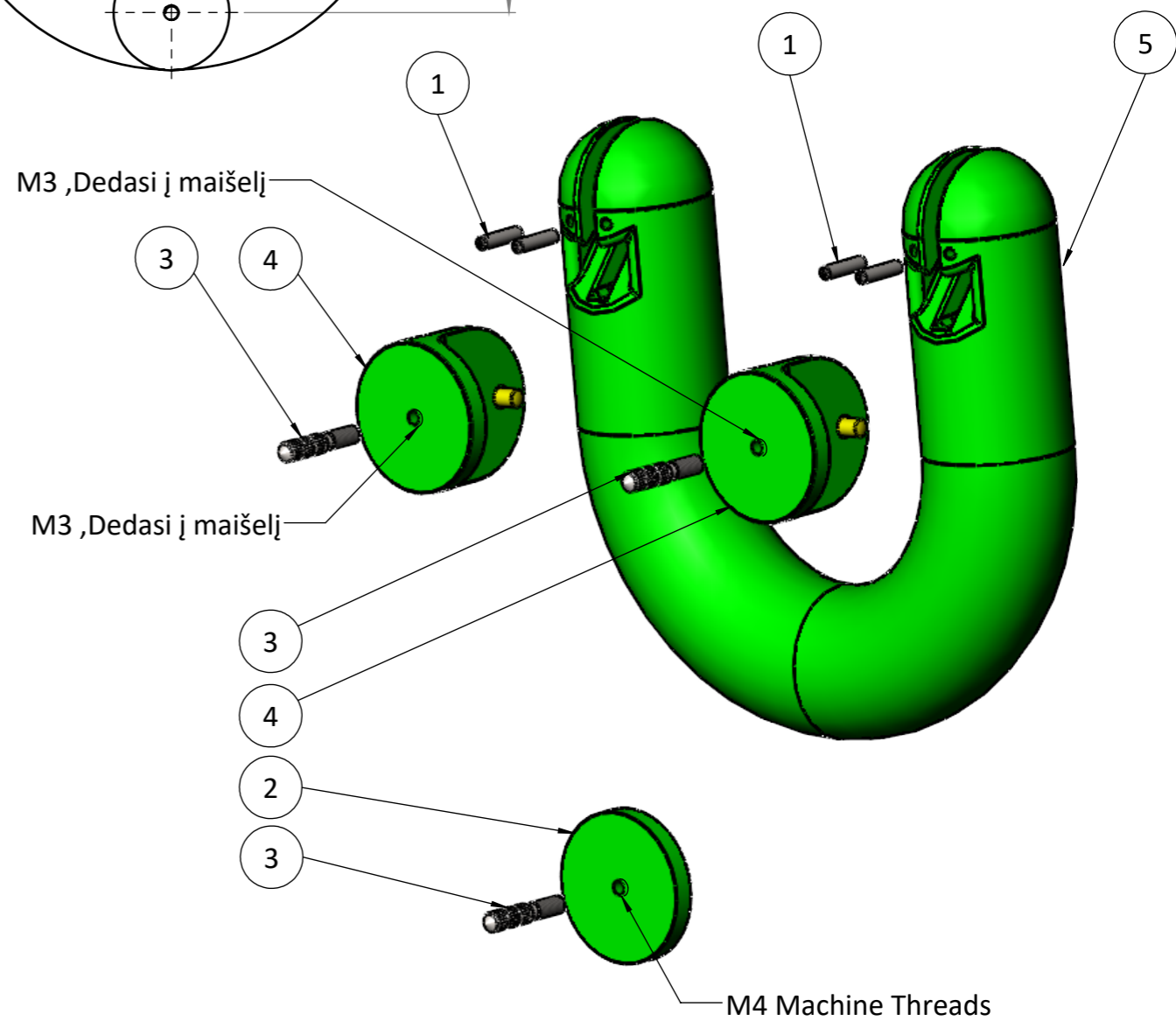
M-M (1 : 1)

M4 Machine Threads



M3 ,Dedasi j maišelj

M3 ,Dedasi j maišelj



M4 Machine Threads

ITEM NO.	PART NUMBER	DESCRIPTION	QTY.
1	D 8246	Grub screw M3x14	4
2	D 8244P	Knocker sphere	1
3	D 8245	Two ended, woodscrew/M4, l=25mm.	3
4	D 8241P	Knocker Loop assembly FAT	2
5	D 8240P	Knocker body FAT	1

Subject: **Fat door knocker**
Ø35, 140x140, cc105

Category: **Hardware**

Sign: MIG
 Date: 17/12/2018

Latest release: MIG
 Release date:

Mass: 1175.1469 g

Scale: 1:2

Material: **Stainless steel AISI 316**
 Polished, electric blue

Drawing no.:
17.9011.F1.000

Dimension without tolerance, follows DS/ISO 2768-mK.
 This drawing is the property of d line a/s, and is not to be copied or shown to third parties.

SHEET 1 OF 1

d line