



IB RUBINETTI

Collection

BELMONDO

Article

BL410

Description

Three holes wall mounted shower

Box Dimensions

340 x 180 x 70 mm

Weight

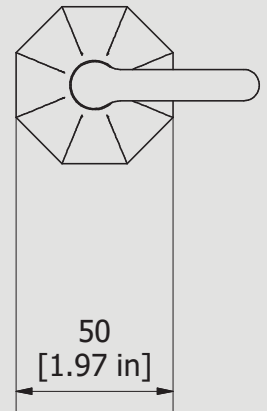
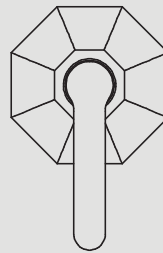
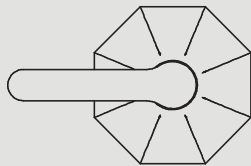
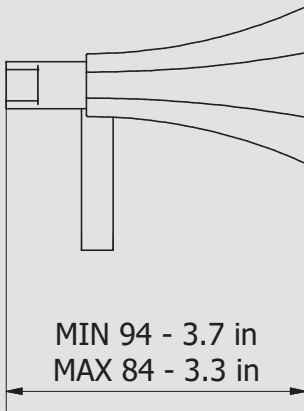
1.7 kg

Finishes

- **CC**
CHROME
- **CF**
BLACK CHROME
- **OO**
GOLD
- **BB**
ANTIQUÉ BRONZE
- **SS**
BRUSHED NICKEL
- **CS**
BRUSHED BLACK CHROME
- **BO**
MATT WHITE
- **NP**
MATT BLACK
- **IS**
BRUSHED PALE GOLD
- **OS**
BRUSHED GOLD
- **II**
PALE GOLD
- **RR**
ANTIQUÉ COPPER
- **RS**
ROSE GOLD
- **ON**
NATURAL BRASS
- **SR**
BRUSHED ROSE GOLD
- **PL**
PLATINUM



Dimensions



Ceramic headwork

G1/2" ceramic headwork

Threaded fitting

G1/2" female

Aerator

Flow Rate (+/-10%)

**1 BAR
28 l/min**

**2 BAR
40 l/min**

**3 BAR
49.3 l/min**

Production

Main body is a single casted pieces

Material

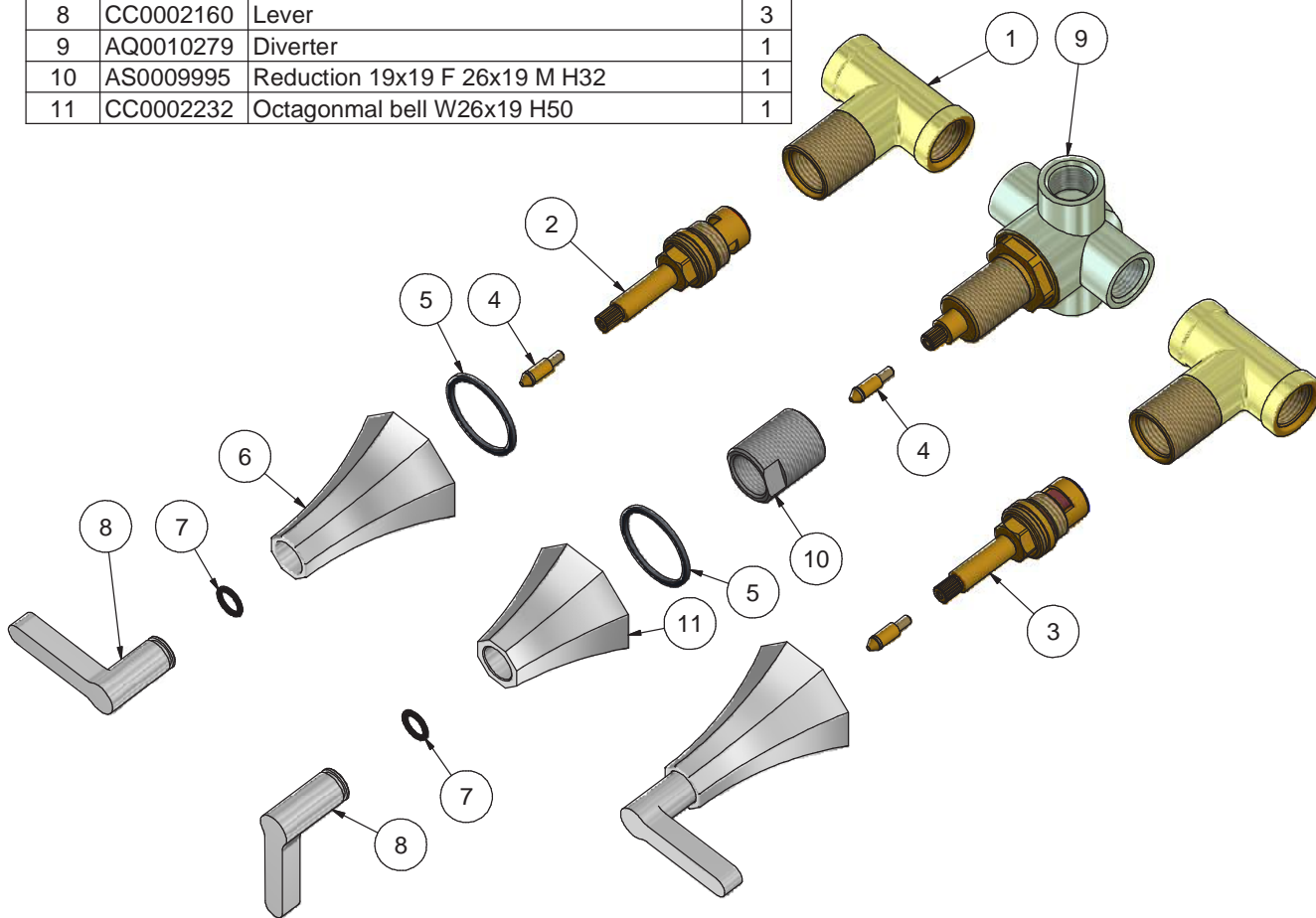
BRASS
According to CuZn35Pb2AL-B (CB752S)
Max Lead content: 1.36%





IB RUBINETTI

Parts list			
ELEM	CODE	DESCRIPTION	QT
1	CT0002005	Built-in stopcock G1/2"	2
2	AQ0010529	Ceramic headwork 90° SX H38.5 8x20	1
3	AQ0010528	Ceramic headwork 90° DX H38.5 8x20	1
4	AQ0010617	Click connection for headworks	3
5	AQ0010274	Rubber packing Ø38x33.5x2	3
6	CC0002162	Octagonal bell H70	2
7	AQ0010153	OR 10x2 NBR 70 SH	3
8	CC0002160	Lever	3
9	AQ0010279	Diverter	1
10	AS0009995	Reduction 19x19 F 26x19 M H32	1
11	CC0002232	Octagonal bell W26x19 H50	1



WARRANTY

All IB Rubinetterie SpA products are warranted for 10 years from the date of purchase, for the following cases:

- Defects of casting, porosity and chrome plating.
- Operating defects caused by incorrect fabrication.

The warranty provides for repair or replacement of products with fabrication defects recognized by our technical office. There is no other type of compensation anche the merchandise must be returned FOB our warehouse. The warranty only cover surface defects (scatches, dings, etc.) on fitting that have not been installed and used, returned in its original packaging with all components. O-ring, gasket seals and components subject to wear proportional to use are warranted for 2 years.

The warranty is void in the following cases:

Error installing and putting the product into service.

Deterioration of finished surfaces due to use of cleaning products containing acids or abrasive substances. Deterioration of surface with finishes other than chrome plating. Their durability is, in fact, dependent on the user's care and gentleness of use.

Deterioration of the fitting due incorrect installation.

Improper repairs and maintenance performed without the company's prior authorization.

The warranty from IB Rubinetterie SpA is not renewable.

Cleaning

We recommended cleaning the finish surfaces with water and soap, using a soft cloth.

Do not use detergents that contain hydrochloric acid or abrasive substances.

