

## Features

- Generous 6-foot oval shape provides an incredibly spacious bathing area.
- Molded lumbar support and armrests offer extra comfort while bathing.
- End drain.

## Material

- Acrylic.

## Installation

- Drop-in.

## Recommended Products/Accessories

K-577 Under-Mount Installation Kit  
K-1491 Bath/Whirlpool Pillow  
K-1601 Bath/Whirlpool Footstop  
K-11677 Bath Drain  
K-24916 Wireless Music Kit  
K-7213 27" Cable Bath Drain  
K-7214 27" Cable Bath Drain  
K-7259 Brass toe tap bath drain  
K-37382 45" Rough-in Cable Bath Drain  
K-23726 Drain treatment  
K-23732 Tub & shower cleaner



## Codes/Standards

CSA B45.5/IAPMO Z124  
ASTM E162  
ASTM E662

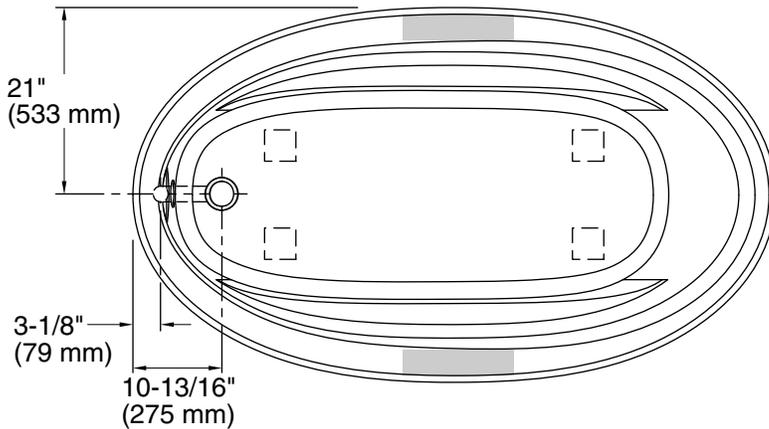
## KOHLER® Plastic Baths and Receptors Lifetime Limited Warranty

See website for detailed warranty information.

## Available Colors/Finishes

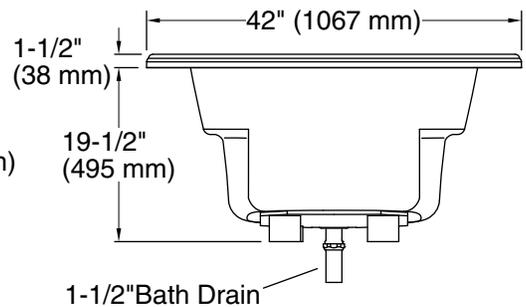
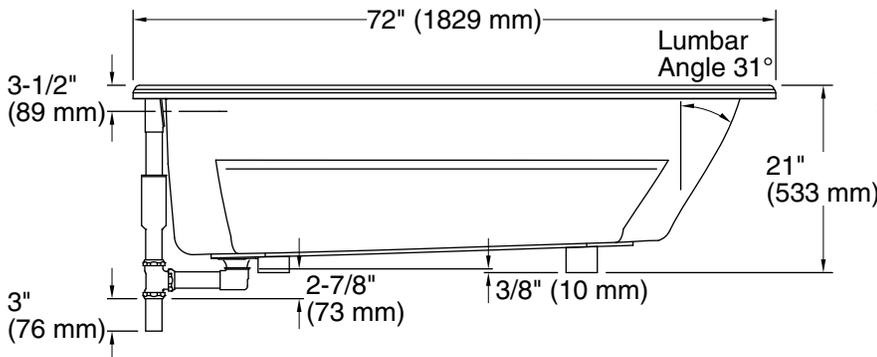
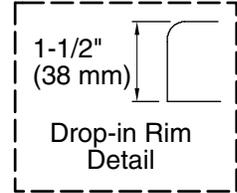
*Color tiles intended for reference only.*

| Color  | Code | Description |
|--|------|-------------|
|  | 0    | White       |
|  | 96   | Biscuit     |
|  | 47   | Almond      |
|  | G9   | Sandbar     |



No change in measurements if connected with drain illustrated. (K-11677)

Recommended faucet area



### Technical Information

All product dimensions are nominal.

|                     |   |
|---------------------|---|
| Installation:       | Drop-in   |
| Drain location:     | End   |
| Basin area, bottom: | 55-1/4" x 23-1/2" (1403 mm x 597 mm)              |
| Basin area, top:    | 64-1/2" x 32" (1638 mm x 813 mm)                  |
| Weight:             | 93 lbs (42.2 kg)                                  |
| Minimum floor load: | 36 lbs/ft <sup>2</sup> (175.8 kg/m <sup>2</sup> ) |
| Water depth:        | 15" (381 mm)                                      |
| Water capacity:     | 75 gal (283.9 L)                                  |
| Template:           | Drop-in, 1042557-7, required, included            |

### Notes

Measure your actual product for rough-in details. Install this product according to the installation instructions.

The hot water supply should be 70% of the capacity of the bath or greater. Installations will vary.