

Features

- Freestanding design creates a striking focal point in your bathing area.
- Oval-shaped basin offers a graceful and spacious bathing experience.
- Sloped lumbar support on both ends.
- 16-inch bathing depth offers a deep soaking experience.
- Wide deck along one side simplifies installation and provides support for getting in and out of bath.
- Straight shroud.
- Textured bottom surface.
- Center drain.

Material

- Acrylic.

Installation

- Freestanding.

Recommended Products/Accessories

K-7265 Clearflo Bath Drain
K-37383 Rough-in cable bath drain, PVC, 30" cable with tubing
K-37386 rough-in cable drain, PVC, 30" cable
K-24916 Wireless Music Kit
K-T37391 Bath Cable Drain Trim
K-T37392 Bath Cable Drain Trim
K-T37393 Bath Cable Drain Trim
K-T37394 Bath Cable Drain Trim
K-T37395 Bath Cable Drain Trim
K-T37396 Bath Cable Drain Trim
K-T37397 Cable Bath Drain Trim
K-23726 Drain treatment
K-23732 Tub & shower cleaner



Codes/Standards

CSA B45.5/IAPMO Z124
ASTM E162
ASTM E662



KOHLER® Plastic Baths and Receptors Lifetime Limited Warranty

See website for detailed warranty information.

Available Colors/Finishes

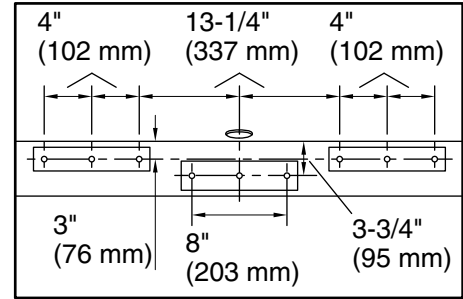
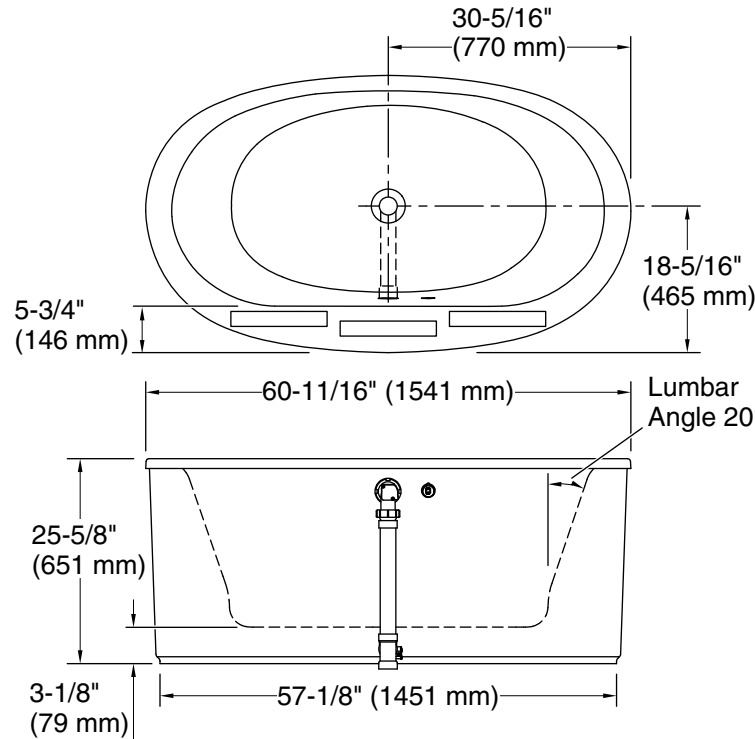
Color tiles intended for reference only.

Color	Code	Description
-------	------	-------------

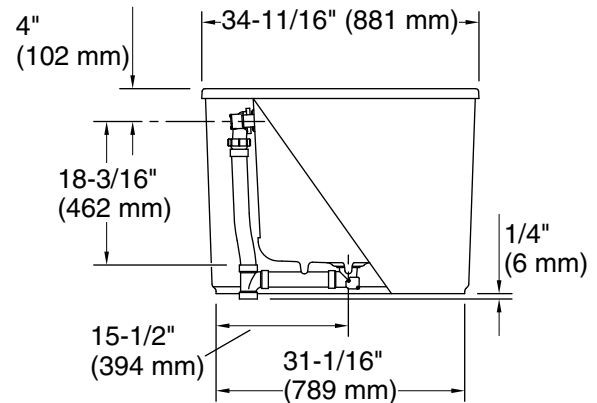
	0	White
	96	Biscuit

No change in measurements if connected with drain illustrated. (K-37386)

□ Recommended Faucet Location



Recommended Faucet Hole Location



Technical Information

All product dimensions are nominal.

Installation:	Freestanding
Drain location:	Center
Basin area, bottom:	39-5/8" x 23-5/8" (1006 mm x 599 mm)
Basin area, top:	49-9/16" x 25-1/2" (1259 mm x 648 mm)
Weight:	120 lbs (54.4 kg)
Minimum floor load:	49.8 lbs/ft ² (243.1 kg/m ²)
Water depth:	16" (406 mm)
Water capacity:	60 gal (227.1 L)
Template:	Footprint, 1364287, not required, not included

Notes

Measure your actual product for rough-in details. Install this product according to the installation instructions.

The hot water supply should be 70% of the capacity of the bath or greater. Installations will vary.