

E75770-4



Collection: BRIVE

Finish*:



CP - Chrome

Main features:



Features

- DIMENSIONS: 47 x 65.90 cm
- MATERIAL: 54
- NORMS AND REGULATION: NF: IA - ECAU: E0 C3 A2 U3 (Ge5) - ACS (Certificate of Sanitary Compliance): 15 ACC LY 472
- FLOW RATE: 11 l/mn
- SPOUT PROJECTION: 195
- MECHANISM: C3 water- and energy-saving cartridge
- SPOUT TYPE: Pivot spout
- INSTALLATION TYPE: 1 hole
- DRILLING: Drilling Ø 35 mm
- WEIGHT: 1.3 kg
- INSTALLATION TYPE: 1 hole
- TYPE: Single-lever
- HEIGHT UNDER SPOUT: 309
- CONNECTION: With supply hoses
- WASTE : Without waste
- SINGLE-LEVER TAP: SINGLE-LEVER MIXER
- MECHANISM GUARANTEE: 5 years

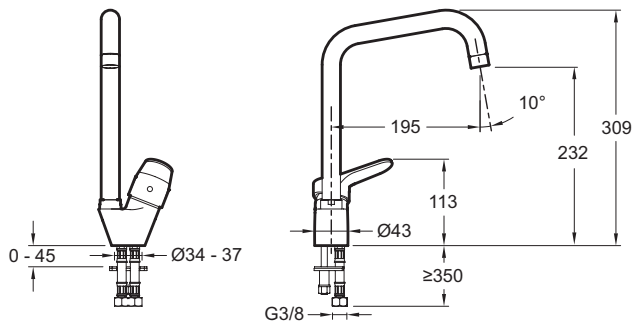
Consumer benefits

- ENERGY EFFICIENCY: Cold water delivery with lever in centre position
- WATER SAVING FEATURE: Sensitive flow control
- COMFORT: Considerable height under the aerator
- SAFETY: Temperature control ring

Installation benefits

- INSTALLATION IN 35": product equipped with patented 5|35" system for fast, easy installation

Technical drawing



Product Specification: Single-lever kitchen mixer, tube spout. E75770-4. Collection: BRIVE. DIMENSIONS: 47 x 65.90 cm. WEIGHT: 1.3 kg. MATERIAL: 54. INSTALLATION TYPE: 1 hole. NORMS AND REGULATION: NF: IA - ECAU: E0 C3 A2 U3 (Ge5) - ACS (Certificate of Sanitary Compliance): 15 ACC LY 472. TYPE: Single-lever. FLOW RATE: 11 l/mn. HEIGHT UNDER SPOUT: 309. SPOUT PROJECTION: 195. CONNECTION: With supply hoses. MECHANISM: C3 water- and energy-saving cartridge. WASTE : Without waste. SPOUT TYPE: Pivot spout. SINGLE-LEVER TAP: SINGLE-LEVER MIXER. INSTALLATION TYPE: 1 hole. MECHANISM GUARANTEE: 5 years. DRILLING: Drilling Ø 35 mm.

*Due to possible variations in computer and printer calibrations, technical factors and certain finish characteristics, the colors you see may not accurately portray the actual colors and are provided as a guide only.