

36 200 661



- rotary diverter
- without rosette
- handle Ø 60mm
- WRAS 2307045

	Brushed Light Gold	36 200 661-27
	Chrome	36 200 661-00
	Brushed Platinum	36 200 661-06
	Dark Chrome	36 200 661-19
	Light Gold	36 200 661-26
	Matte Black	36 200 661-33
	Brushed Bronze	36 200 661-42
	Brushed Champagne (22kt Gold)	36 200 661-46
	Champagne (22kt Gold)	36 200 661-47
	Brushed Chrome	36 200 661-93
	Brushed Dark Platinum	36 200 661-99

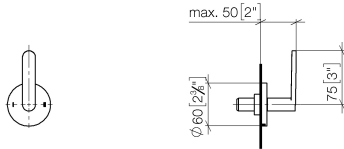
Required miscellaneous



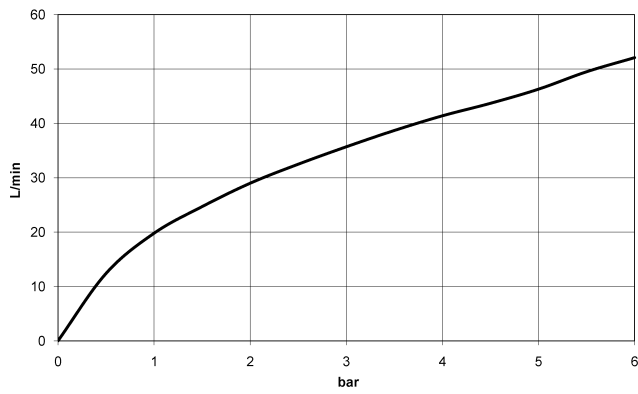
- Concealed two-way diverter -** 35 202 970 90
- min. recess depth 115 mm
  - max. recess depth 160 mm

36 200 661

mm [inches]



**Flow rate chart**



**Codes & Standards**

DIN 4109

ISO 3822

Scottish Water  
Byelaws

UK Water Supply  
Regulations

**Ü-Zeichen**



**META Concealed two-way diverter - Brushed Light Gold**

---

META

36 200 661

Certificates

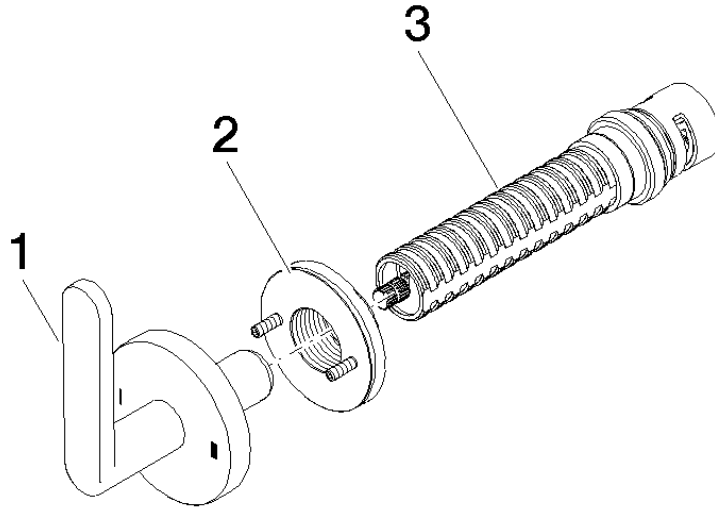
---

WRAS\_2307

LGA\_38

36 200 661

**Product version from 4/1/2022**





# META Concealed two-way diverter - Brushed Light Gold

META

36 200 661

## Spare parts list

### Product version from 4/1/2022

No.	Item Number	Name	Quantity used	Delivery time
	90 20 66 014 00-27	handle	3	30