

Fat pull handle, medium - brass

Tom Dixon collection

Product

Bush, Ø35mm, cc 140mm, brass

Tender text

FAT pull handle, small. Bush, Ø35mm, cc 140mm, polished. The FAT collection is a series of architectural hardware pieces designed by English industrial designer Tom Dixon. Material: brass. W: 175mmxH: 100mmxD: Ø35mm. 20-year warranty.

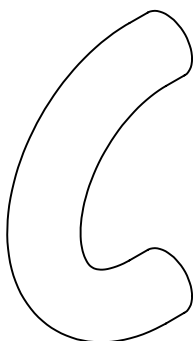
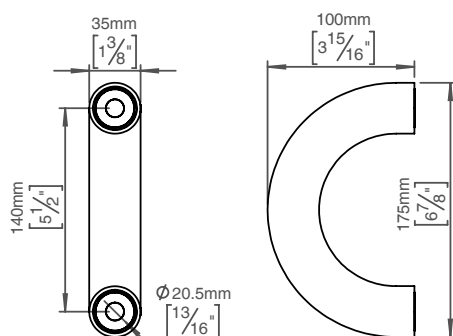
Product specification

Dimensions: 175x100mm. Diameter: Ø35mm.

Material: brass

Surface finish: polished brass, crafted by hand

[20-year warranty \(5 years for coated items\)](#)



Available finishes

Solid metal



Polished brass

Spare parts/ accessories

14491692601 - Bush head bolt, M12x60mm
 14970100106 - Grub screw, M6x8mm
 14976500157 - Allen key 3mm
 A4974102324 - Thrust rose, Ø26.4x2mm
 12496500305 - Fittings for glass door, f/2 sides

Mounting

<https://dline.com/mounting-instructions/>

8 pcs. per box

Product care

d line products are produced in the highest quality brass. To sustain the unique d line finish please follow the below instructions:

- Wash down the surfaces using soapy water or mild detergent
- Always thoroughly rinse off with clean water
- To complete the cleaning procedure dry/polish the surface with a soft dry cloth

Please do not use scouring powder, steel wool, chloride based detergents or other aggressive cleaning products as these may damage the surface.

If spots or corrosion appear on the surface it is not due to the stainless steel quality, but to impurities in the environment, aggressive conditions or improper or insufficient cleaning.