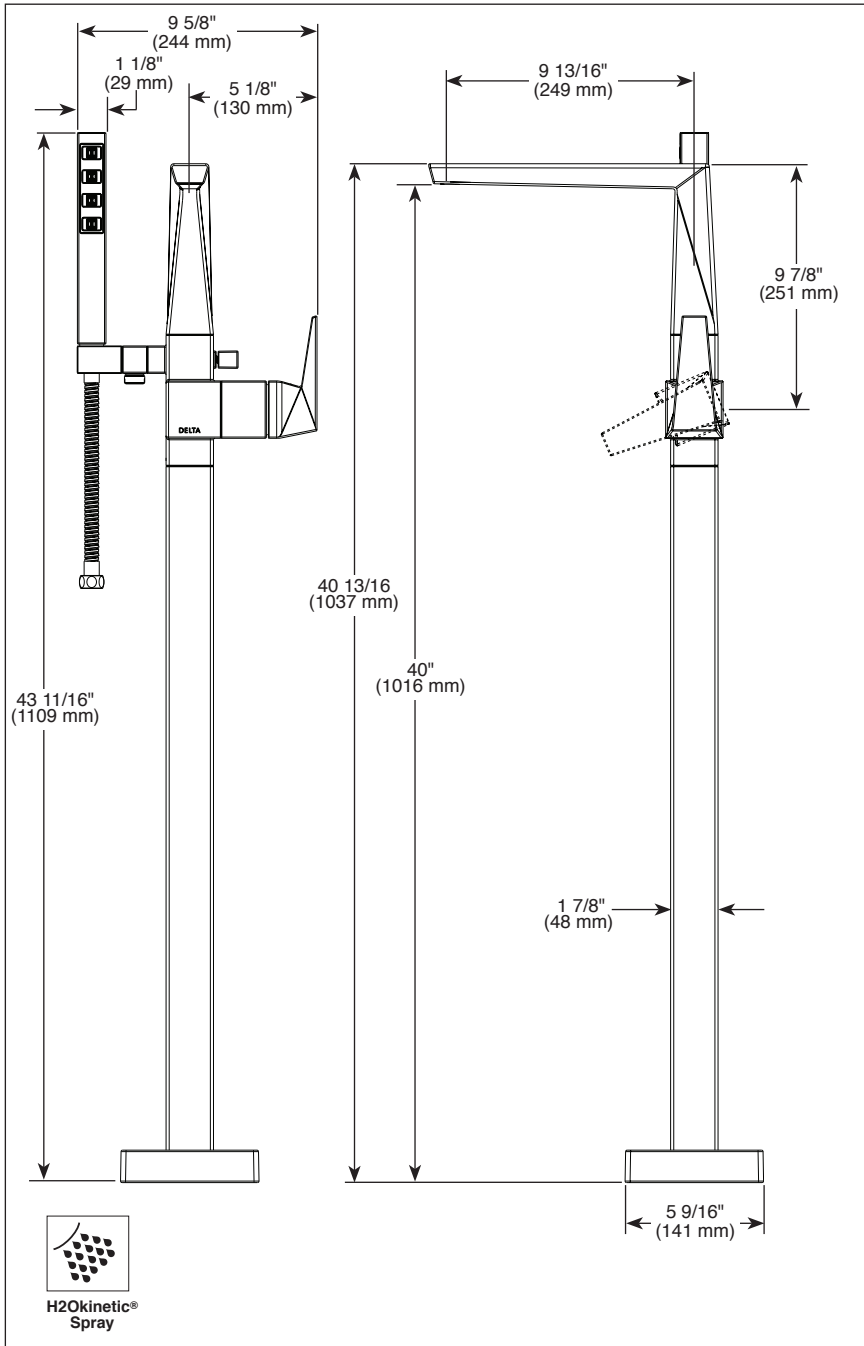


Submitted Model No.: _____

Specific Features: _____



H2Okinetic®
Spray

▲ Designate Proper Finish Suffix



see what Delta can do™

FLOOR MOUNT TUB FILLER

■ Trillian™ Bath Collection

FEATURES:

- H₂Okinetic® Technology
- Multichoice® high flow non pressure balance cartridge
- Lumicoat™ Finish (brilliance finishes only) on model numbers with "PR"
- Lumicoat™ Finishes easily wipe clean without cleaners and chemicals on the products most commonly touched areas

STANDARD SPECIFICATIONS:

- Hand shower max flow rate 1.75 gpm @ 80 psi, 6.6 L/min @ 550 kPa
- Spout flow up to 10 gpm @ 60 psi, 37.8 L/min @ 410 kPa
- Hot and cold indicators
- 60"-82" (1524 mm - 2083 mm) stretchable hose with metal fittings
- Auto resetting diverter
- Pivot hand shower holder
- Rough-In R4700-FL or R4700-FLWS, required for installation
- Dual integral check valves on hand shower

WARRANTY

- Parts and Finish - Lifetime limited warranty; or for commercial purchasers, 10 years for multi-family residential (apartments and condominiums) and 5 years for all other commercial uses, in each case from the date of purchase.
- Electronic Parts and Batteries (if applicable) - 5 years from the date of purchase; or for commercial purchasers, 1 year from the date of purchase. No warranty is provided on batteries.

⚠ WARNING: Risk of personal injury. Do not use the tub filler as a grab bar or support bar. Install this product according to the installation guide.



COMPLIES WITH:

- ASME A112.18.1 / CSA B125.1
- Indicates compliance to ICC/ANSI A117.1 - Valve control only
- EPA WaterSense®

Delta Faucet Company

55 E. 111th Street, Indianapolis, IN 46280
350 South Edgeware Road, St. Thomas, ON N5P 4L1
© 2021 Delta Faucet Company

Delta reserves the right (1) to make changes in specifications and materials, and (2) to change or discontinue models, both without notice or obligation. Dimensions are for reference only. See current full-line price book or www.deltafaucet.com for finish options and product availability.