

Hampton shower bath 170 LH E13
 Hampton shower bath 150 LH E20
 Kensington shower bath 170 LH T4BL

Hampton shower bath 170 RH E14
 Hampton shower bath 150 RH E21
 Kensington shower bath 170 RH T3BR

Notes for Tiling and Sealing

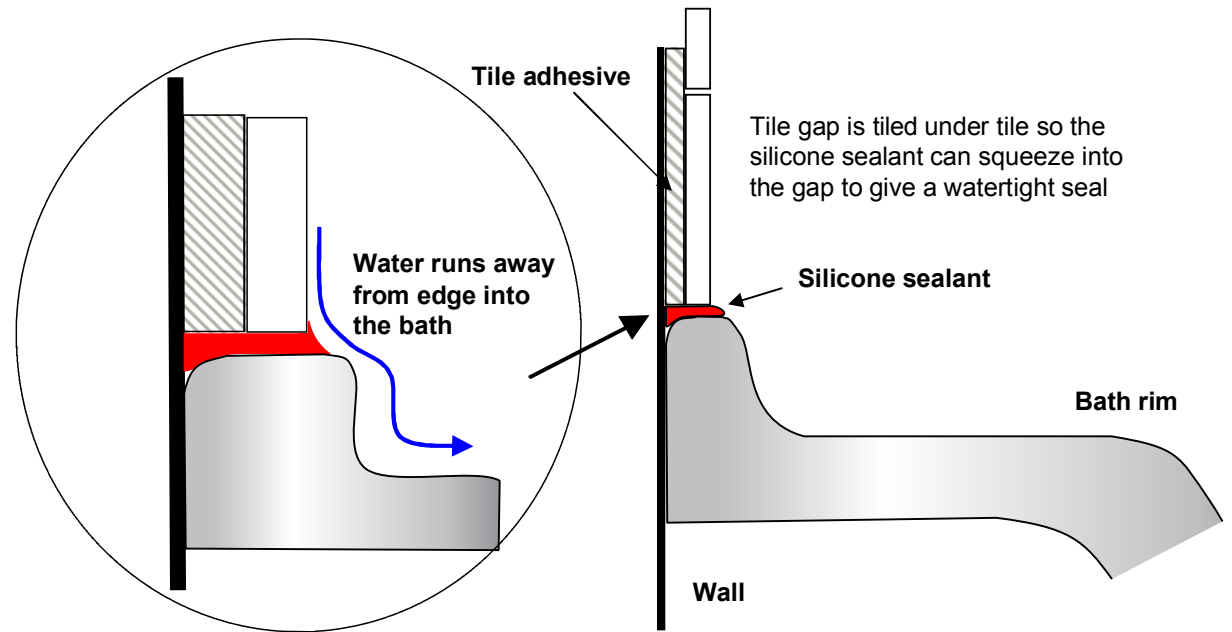
- Prior to installation check that all parts have been supplied.
- Assemble bath on a mat to protect against damage to bath surface.
- Bath diagram shown is for reference only and bath legs fit to all baths.
- This product requires a two person lift - use proper lifting techniques.
- This installation guide does not include details of waste connection; final decision about installation of waste connection should be taken by a suitably qualified person.
- All tiling, grouting and sealing must be completed before the bath screen is fitted to the wall.

Tip -To produce a clean perfect silicone sealant line

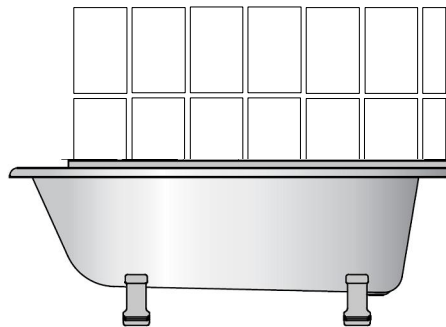
The area must be dust free and cleaned with a degreaser such as methylated spirits to ensure good adhesion of the silicone. Use waterproof mould resistant bathroom silicone sealant (not acrylic it does not adhere as well)

Mask with making tape both sides of the joint leaving a reasonable space for the silicone to fill. Apply the silicone sealant, then you can wipe the silicone back and forth with your finger, forcing the sealant into the small gaps and crevices as you go. Ensure the silicone is thin where it meets the masking tape.

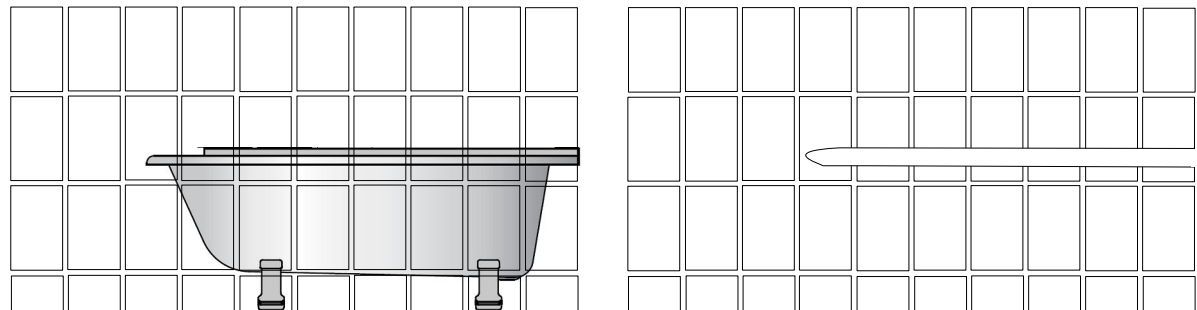
Then remove the making tape to reveal a perfect line that provides a perfect seal. (It works every time!)



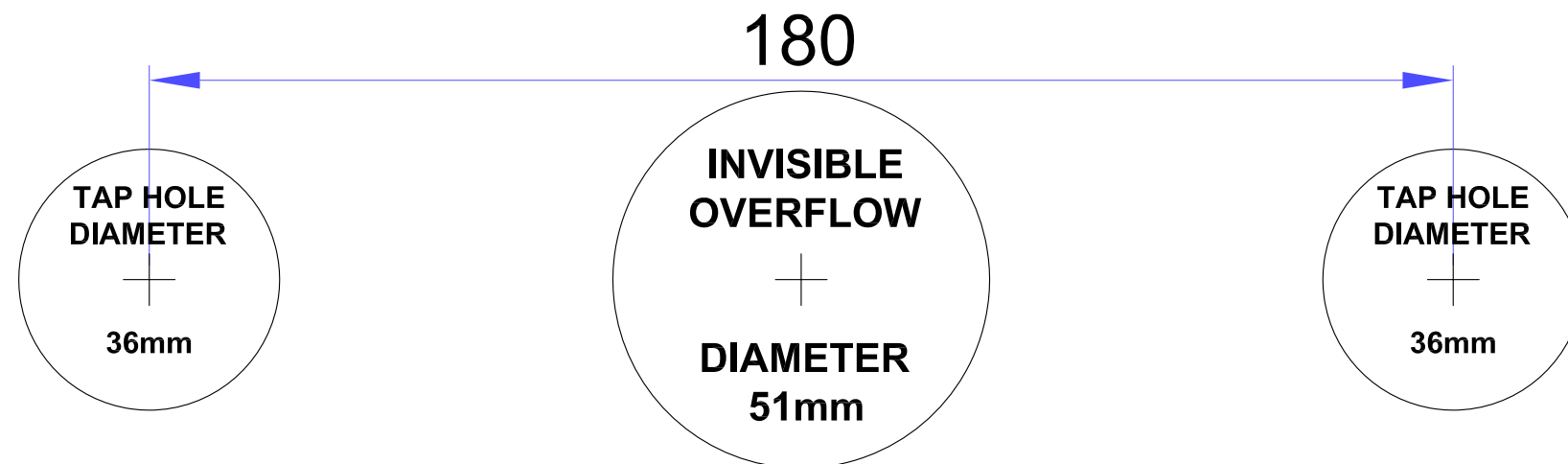
Tiling the wall above the bath Plan the tiling to end neatly on top of the upstand



Tiling the whole wall The bath should be placed in a position and the wall marked up with the bath rim position. Remove the bath and tile the under bath area. Complete the rest of the tiling except for the first row of tiles above the bath. Fit the bath and then complete the tiling.

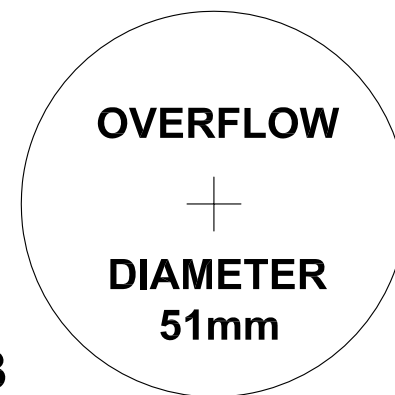


-
- IN THE EVENT THAT YOU ARE USING DECK MOUNTED TAPS THEN YOU SHOULD DRILL THE TAP HOLES IN THE POSITION MARKED ABOVE.



- **EVERY BATH REQUIRES AN OVERFLOW.**
IN THE EVENT THAT YOU ARE USING THE INVISIBLE OVERFLOW THEN YOU SHOULD DRILL IN THE POSITION MARKED ABOVE.

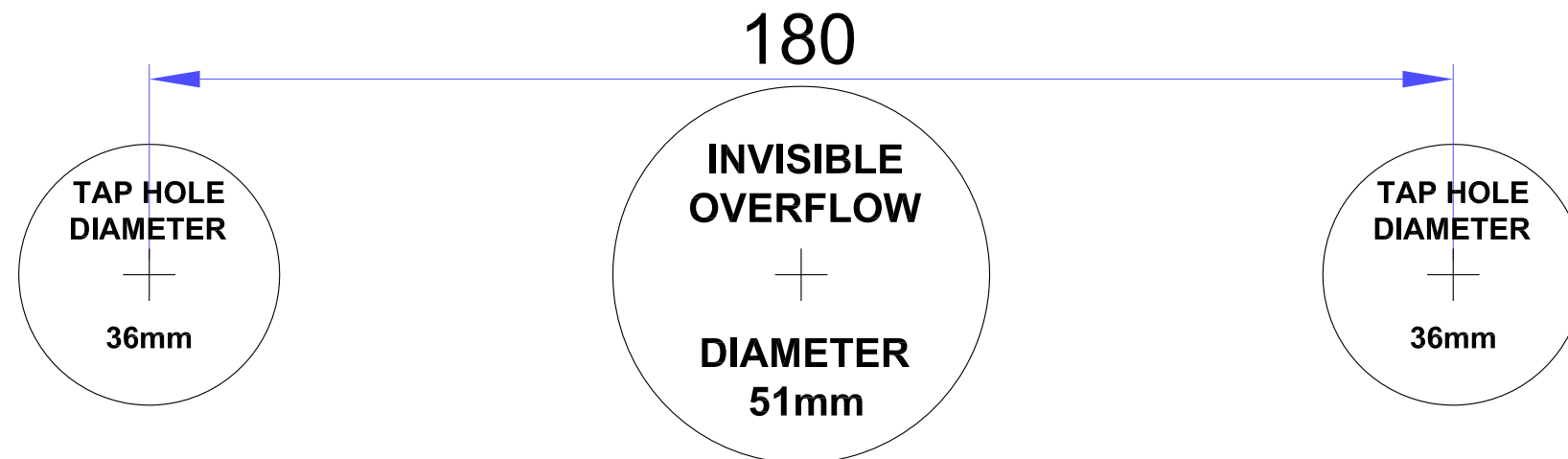
- **EVERY BATH REQUIRES AN OVERFLOW.**
IN THE EVENT THAT YOU ARE NOT USING THE INVISIBLE OVERFLOW OR EXTERNAL OVERFLOW THEN YOU SHOULD DRILL IN THE POSITION MARKED BELOW.



Hampton shower bath 170 LH E13
Hampton shower bath 150 LH E20

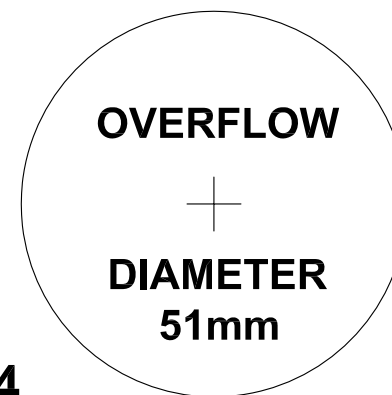
Burlington[®]
Yesterday's designs TODAY'S TECHNOLOGY

-
- IN THE EVENT THAT YOU ARE USING DECK MOUNTED TAPS THEN YOU SHOULD DRILL THE TAP HOLES IN THE POSITIONS MARKED BELOW.



- **EVERY BATH REQUIRES AN OVERFLOW.**
IN THE EVENT THAT YOU ARE USING THE INVISIBLE OVERFLOW THEN YOU SHOULD DRILL IN THE POSITION MARKED ABOVE.
-

- **EVERY BATH REQUIRES AN OVERFLOW.**
IN THE EVENT THAT YOU ARE NOT USING THE INVISIBLE OVERFLOW OR EXTERNAL OVERFLOW THEN YOU SHOULD DRILL IN THE POSITION MARKED BELOW.



Hampton shower bath 170 RH E14
Hampton shower bath 150 RH E21

Burlington[®]
Yesterday's designs TODAY'S TECHNOLOGY