

E5243



Collection: JULY

Finish*:



CP - Chrome

Main features:



Features

- WEIGHT: 1.4 kg
- INSTALLATION TYPE: 1 hole
- TYPE: Single-lever
- CONNECTION: With supply hoses
- WATER/ENERGY-SAVING: WATER-SAVING
- TYPE OF KITCHEN TAP: MECHANICAL
- INSTALLATION TYPE: 1 hole
- DRILLING: Drilling Ø 35 mm
- MATERIAL: Metal
- NORMS AND REGULATION: NF : I - ECAU : E0 C2 A2 U3 (Ge3) - ACS : 11 ACCLY 540
- FLOW RATE: 10 l/mn
- MECHANISM: Cartouche à disques céramique
- WASTE : Without waste
- SPOUT TYPE: Pivot spout
- MECHANISM GUARANTEE: 5 years
- Swivel tube spout

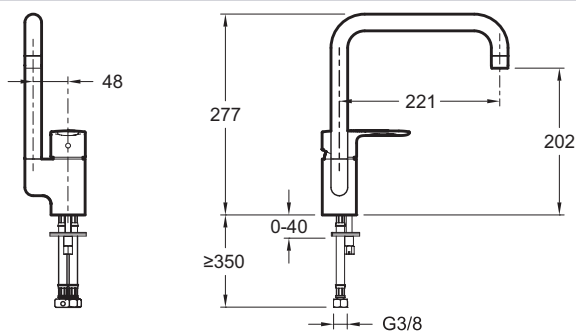
Consumer benefits

- Anti-scale aerator
- WATER SAVER: sensitive stop
- SÉCURITÉ : Bague-limiteur de température
- FINISH: Chrome is guaranteed 10 years
- MÉCANISME : Garantie 5 ans

Installation benefits

- PEX supply hoses.
- Standard drilling Ø 35 mm

Technical drawing



Product Specification: Single-lever kitchen sink mixer, tube spout. E5243. Collection: JULY. WEIGHT: 1.4 kg. MATERIAL: Metal. INSTALLATION TYPE: 1 hole. NORMS AND REGULATION: NF : I - ECAU : E0 C2 A2 U3 (Ge3) - ACS : 11 ACCLY 540. TYPE: Single-lever. FLOW RATE: 10 l/mn. CONNECTION: With supply hoses. MECHANISM: Cartouche à disques céramique. WATER/ENERGY-SAVING: WATER-SAVING. WASTE : Without waste. TYPE OF KITCHEN TAP: MECHANICAL. SPOUT TYPE: Pivot spout. INSTALLATION TYPE: 1 hole. MECHANISM GUARANTEE: 5 years. DRILLING: Drilling Ø 35 mm. Swivel tube spout.