


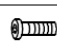

| | | | |
|-----|-------|---|-----|
| C | Ø8 |  | 4 |
| B | M8x15 |  | 4 |
| A | 5mm |  | 1 |
| NO. | SIZE | DIAGRAM | QTY |

FIG.
1

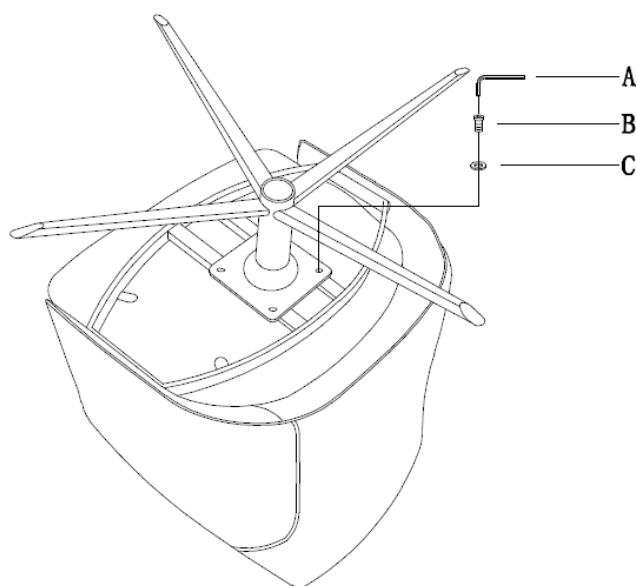


FIG.
2

