

E99477



**Collection:** KUMIN

**Finish\*:**



CP - Chrome

**Main features:**



## Features

- MATERIAL: 54
- NORMS AND REGULATION: ACS : 10 ACC LY 113 / NF ECAU : E0 C3 A2 U3 (Ge5)
- FLOW RATE: 10 l/mn
- SPOUT PROJECTION: 227
- MECHANISM: Cartouche à disques céramique
- WASTE : Without waste
- SPOUT TYPE: Pivot spout
- MECHANISM GUARANTEE: 5 years
- Temperature control ring.
- Water-saving feature: Sensitive stop
- Drilling diameter: 35 mm

- INSTALLATION TYPE: 1 hole
- TYPE: Single-lever
- HEIGHT UNDER SPOUT: 350
- CONNECTION: With supply hoses
- WATER/ENERGY-SAVING: WATER & ENERGY-SAVING
- TYPE OF KITCHEN TAP: MECHANICAL
- INSTALLATION TYPE: 1 hole
- DRILLING: Drilling  $\varnothing$  35 mm
- Tube spouts pivots 360°.
- Anti-scale aerator

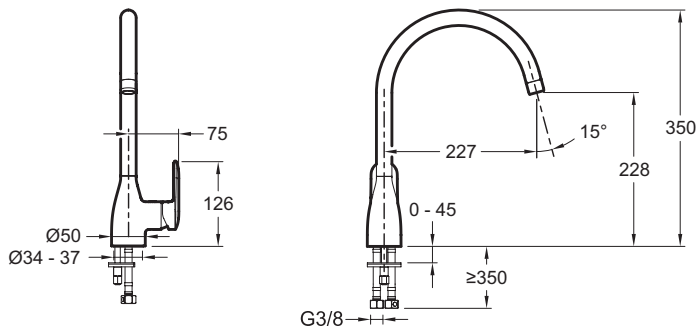
## Consumer benefits

- Comfortable height under aerator 228 mm
- WATER SAVER: sensitive stop à mi-débit
- SÉCURITÉ : bague-limiteur de température

## Installation benefits

- Supply hoses with G3/8 connectors.

## Technical drawing



Product Specification: Single-lever kitchen sink mixer. E99477. Collection: KUMIN. MATERIAL: 54. INSTALLATION TYPE: 1 hole. NORMS AND REGULATION: ACS : 10 ACC LY 113 / NF ECAU : E0 C3 A2 U3 (Ge5). TYPE: Single-lever. FLOW RATE: 10 l/mn. HEIGHT UNDER SPOUT: 350. SPOUT PROJECTION: 227. CONNECTION: With supply hoses. MECHANISM: Cartouche à disques céramique. WATER/ENERGY-SAVING: WATER & ENERGY-SAVING. WASTE : Without waste. TYPE OF KITCHEN TAP: MECHANICAL. SPOUT TYPE: Pivot spout. INSTALLATION TYPE: 1 hole. MECHANISM GUARANTEE: 5 years. DRILLING: Drilling  $\varnothing$  35 mm. Temperature control ring.. Tube spouts pivots 360°.. Water-saving feature: Sensitive stop. Anti-scale aerator. Drilling diameter: 35 mm.

\*Due to possible variations in computer and printer calibrations, technical factors and certain finish characteristics, the colors you see may not accurately portray the actual colors and are provided as a guide only.