

Sink Angolare 3308 060

Sinks

Code: 3308 060



DETAILS

Finish Foster brushed

Material AISI 304 stainless steel

Texture Foster brushed

Base 90 cm

Edge/Installation Type Standard (8 mm Edge)

Dimensions 830x830 mm

Standard fittings Fixing hooks, gasket, drain, overflow and siphon, boxed packing

Mixer holes 1 standard hole - 2nd hole on request

Built-in hole View technical data sheet (for all Flush-mount / Top-mount models and Under-mount models)

Drainer Yes

Width 83 cm

Bowl dimension 340x400 + 233x335mm

Number of bowls 2 bowls

Waste fitting 3.5 "+ 1.25" drain on drainer

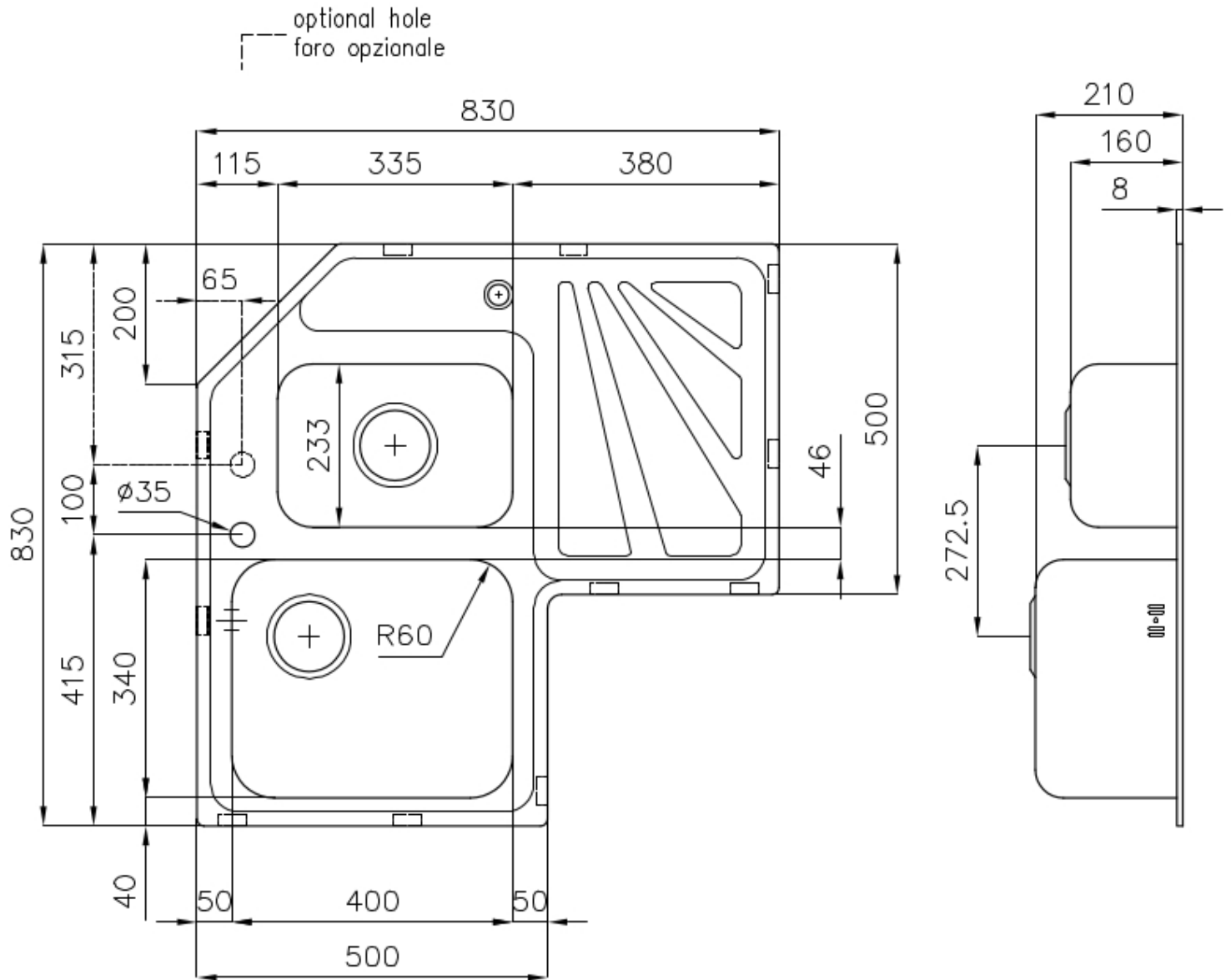
FEATURES

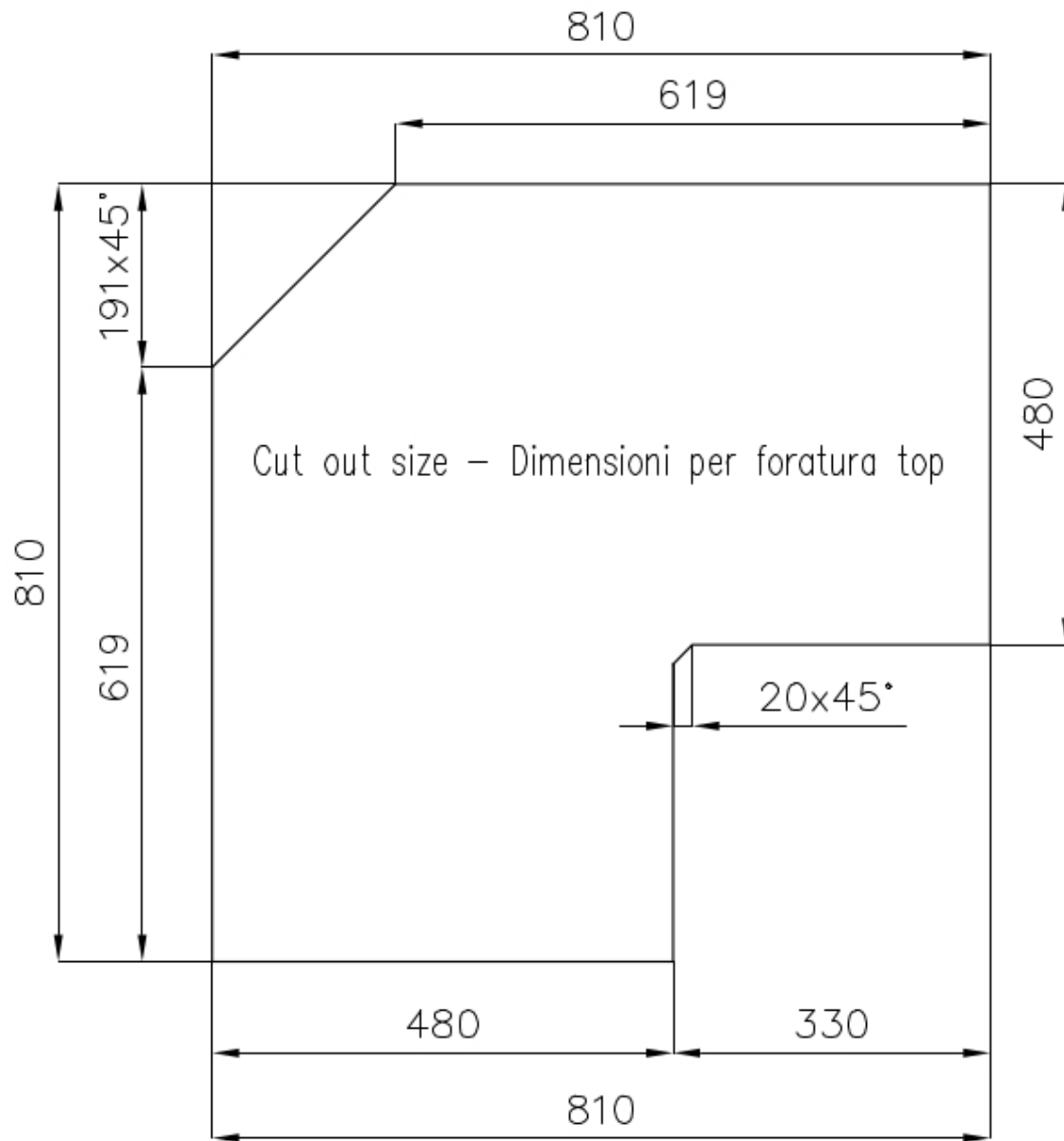
2nd / 3rd hole available The sink can be customized with the execution on request of additional holes, usable for double-hole mixers, for remote controlled drains or for the installation of soap dispensers. The positions are marked on the drawings with dotted line holes.

Basket 3,5" waste fitting The drain is equipped with a large 3.5" drain, with the practical basket cap that prevents the discharge of solid parts. The 3.5 "drain allows the use of the Foster waste-disposer, compatible with all models.

Deep bowls This bowls reach an important depth, over 20 cm, thanks to the advanced production technology, that can be offer great capiciency and practicity in all the washing operations.

TECHNICAL DATA





OPTIONAL ACCESSORIES



HPDE Chopping board 8657 001



Iroko-wood chopping board 8647 000



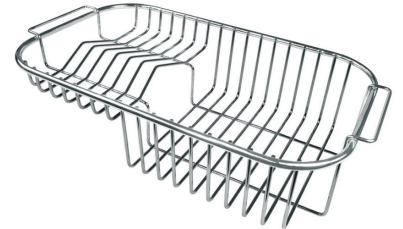
Stainless steel basket 8611 000



Stainless steel colander 8154 000



Stainless steel plate rack 8100 154



Stainless steel plate rack 8100 301



White bowl 8153 100

RECOMMENDED PAIRINGS



Mixer Tap Camillo 8467 000



Mixer Tap Twix Plus 8427 020

OPTIONAL AUTOMATIC WASTE FITTINGS



Automatic waste fitting 8407 000



Automatic waste fitting 8407 100



LIRA automatic waste fitting
8407 102



LIRA automatic waste fitting
8407 103