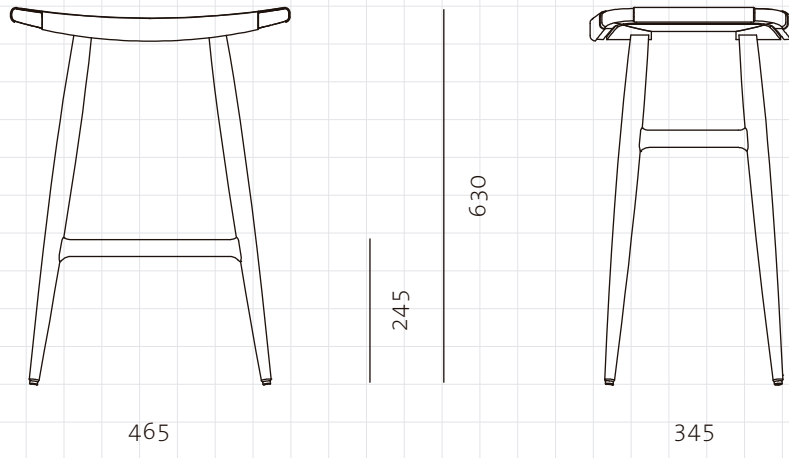


Freja Bar Stool SH610 Leather Seat



CODE
DIMENSIONS

FE-S310-LE
W465 x D345 x H630mm
Seating height: 610mm

NET WEIGHT
ENVIRONMENT
MATERIALS

3.3 kg
Indoor
Solid wood frame, leather seat

*Please refer to website or contact your local representative for complete material swatches.

SHIPPING

Package	Assembled		
Package Qty	1 pcs/box		
Packaging	Measurement (mm)	Volume (cbm)	Gross Weight (kg)
FCL	W530 x D410 x H715	0.16	6.80
LCL/AIR	W570 x D450 x H805	0.21	9.78