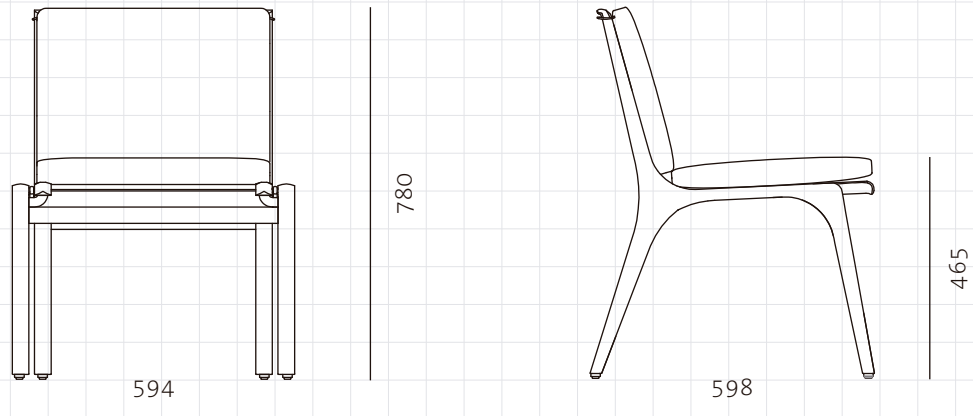


Rén Dining Chair



CODE

RN-S210

DIMENSIONS

W594 x D598 x H780mm

NET WEIGHT

Seating height: 465mm

ENVIRONMENT

8.2 kg

MATERIALS

Indoor

Solid wood legs, Veneer laminate frame, Upholstered cushion, Down filling,

Brass plated stainless steel

*Please refer to website or contact your local representative for complete material swatches.

SHIPPING

Package Assembled

Package Qty 1 pcs/box

Packaging	Measurement (mm)	Volume (cbm)	Gross Weight (kg)
FCL	W680 x D680 x H870	0.40	15.0
LCL/AIR	W720 x D720 x H960	0.50	21.0