

### Features

- 6 hydromassage jets can be individually adjusted for water flow and direction.
- Variable-speed pump for adjusting massage intensity.
- Chromatherapy lighting allows you to select a preferred color scheme to suit your mood.
- Built-in heater.
- Remote control.
- Spacious design accommodates up to two bathers.
- Two distinct bathing wells and a cool-off area allow you to create your own experience.
- Two pillows provided for added comfort.

### Material

- Acrylic.

### Hydrotherapy

- Whirlpool.
- Chromatherapy.

### Installation

- Drop-in or undermount.

### Required Products/Accessories

K-9696 Whirlpool 6-Jet Trim Kit

### Recommended Products/Accessories

K-588 Under-Mount Installation Kit  
K-1601 Bath/Whirlpool Footstop  
K-7167 Clearflo Bath Drain  
K-9498 3" Keypad Trim  
K-23726 Drain treatment  
K-23732 Tub & shower cleaner



### Codes/Standards

ASME A112.19.7/CSA B45.10  
CSA B45.5/IAPMO Z124  
ASTM E162  
ASTM E662  
UL 1795  
CSA C22.2 No. 218.2



**KOHLER® Plastic Baths and Receptors  
Lifetime Limited Warranty  
KOHLER® Hydrotherapy Components  
Five-Year Limited Warranty**

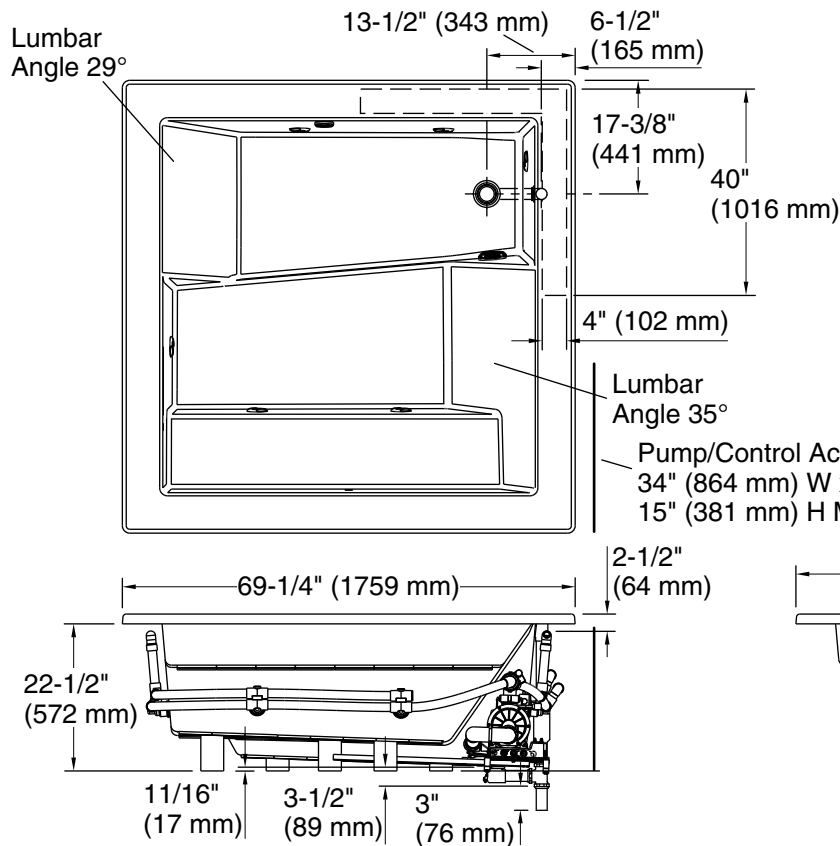
See website for detailed warranty information.

### Available Colors/Finishes

*Color tiles intended for reference only.*

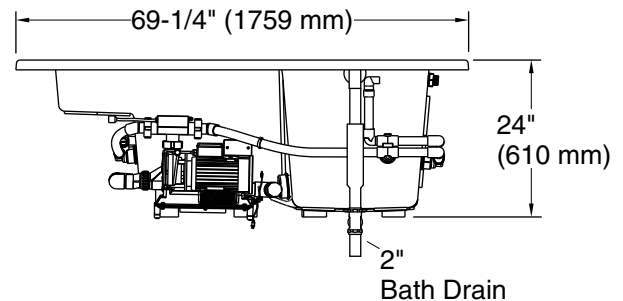
#### Color Code Description

	0	White
	96	Biscuit



No change in measurements if connected with drain illustrated. (K-7167-AF)

☐ Recommended Faucet Location



### Required Electrical Service

One dedicated circuit required, protected with Class A Ground-Fault Circuit-Interrupter (GFCI). Outside North America, this device may be known as a Residual Current Device (RCD).

Pump, Heater: 220-240 V, 20 A, 50/60 Hz

### Technical Information

All product dimensions are nominal.

Installation:	Corner, Drop-in, Under-mount
Drain location:	End
Basin area, bottom:	45" x 43" (1143 mm x 1092 mm)
Basin area, top:	57" x 57" (1448 mm x 1448 mm)
Weight:	300 lbs (136.1 kg)
Minimum floor load:	53 lbs/ft <sup>2</sup> (258.8 kg/m <sup>2</sup> )
Water depth:	19-1/2" (495 mm)
Water capacity:	170 gal (643.5 L)
Cutout:	Drop-in, 68" x 68" (1727 mm x 1727 mm)
Electrical component rating:	Pump: 240 V, 11 A Heater: 240 V, 6.25 A
Pump speed:	Variable

### Notes

Measure your actual product for rough-in details. Install this product according to the installation instructions.

The hot water supply should be 70% of the capacity of the bath or greater. Installations will vary.

Kit is required for under-mount installations (sold separately).

If installing a rim-mount faucet, make sure there is no interference above or below the deck before drilling any holes.