

**E4152**



**Collection:** PATIO

**Finish\*:**



00 - White

**Main features:**



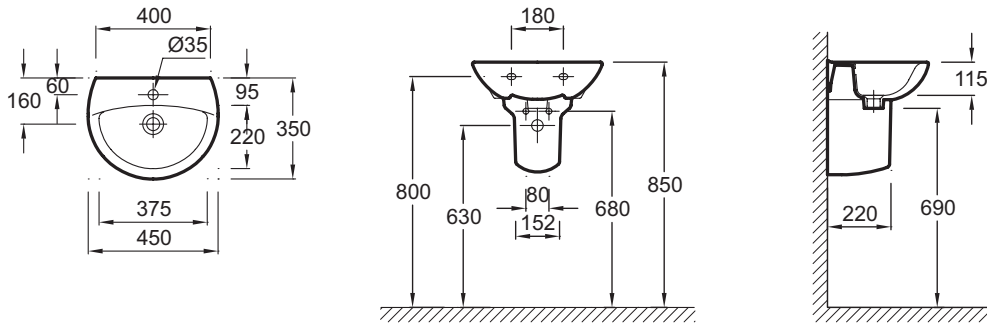
**Features**

- DIMENSIONS: 45 x 35 cm
- MATERIAL: Ceramic
- FIXINGS: Installed with bolts (not supplied)
- INSTALLATION: Self-supporting
- WEIGHT: 8.2 kg
- INSTALLATION TYPE: Self-supporting
- TAP DRILLING: 1 tap hole
- Functional design with flat and wide ledges

**Consumer benefits**

- FUNCTIONALITY: Rear ledge for comfort of use every day
- EASIER CARE: Soft corners for fast, easy cleaning

**Technical drawing**



Product Specification: Handwash basin 45 cm. E4152. Collection: PATIO. DIMENSIONS: 45 x 35 cm. WEIGHT: 8.2 kg. MATERIAL: Ceramic. INSTALLATION TYPE: Self-supporting. FIXINGS: Installed with bolts (not supplied). TAP DRILLING: 1 tap hole. INSTALLATION: Self-supporting. Functional design with flat and wide ledges.

\*Due to possible variations in computer and printer calibrations, technical factors and certain finish characteristics, the colors you see may not accurately portray the actual colors and are provided as a guide only.