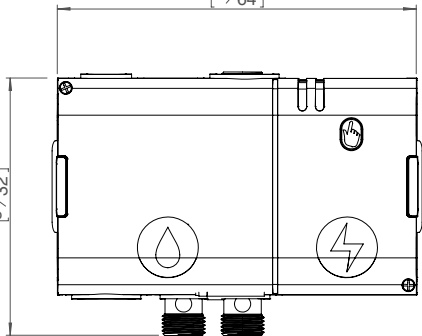


182mm

$7\frac{11}{64}$ "

129.5mm

$5\frac{3}{32}$ "



51mm

$2\frac{1}{64}$ "

