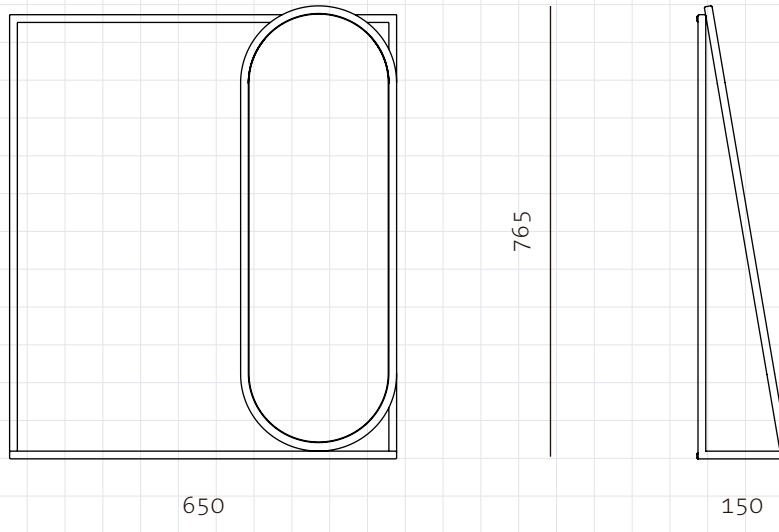


### Frame Wall Mirror Large



**CODE**

FR-M121-L

**DIMENSIONS**

W650 x D150 x H765mm

**NET WEIGHT**

7.0 kg

**ENVIRONMENT**

Indoor

**MATERIALS**

Powder coated steel frame, mirrored glass, veneer laminate board

\*Please refer to website or contact your local representative for complete material swatches.

**SHIPPING**

**Package** Assembled

**Package Qty** 1 pcs/box

<b>Packaging</b>	<b>Measurement (mm)</b>	<b>Volume (cbm)</b>	<b>Gross Weight (kg)</b>
------------------	-------------------------	---------------------	--------------------------

<b>FCL/LCL/AIR</b>	W795 x D295 x H984	0.23	21.62
--------------------	--------------------	------	-------