



Name: TEKNO CP

Design: Joana Bover / 2004

Typology: Pendant lamp

Environment: Indoor

Technical description:

Pendant circular shaped lamp, releasing diffused light through a classic cotton or hand wrapped, translucent polyester blend ribbon lamp shade, complete with satin nickel accent pieces. Adjustable transparent tensor wire and red wire connections can be selected. Matte glass diffuser is included with fixture.



Lamps description

- Earthing: compulsory
- Ready for mounting on normally flammable surface.
- 2 x 70 W Classic A ECO E-27
- 2 x 18 W E-27

Voltage: 230V~50Hz

1 Box 55 x 55 x 25 cm

Vol.: 0,0756 m³

Weight: 7 kg

Certifications:

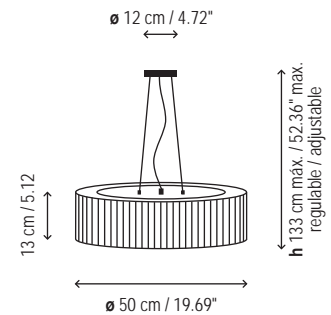
Ref Finishings

4118856	Nickel white cotton
4118857	Nickel white translucent ribbon
4118858	Nickel cream translucent ribbon
4118859	Nickel red translucent ribbon

Adjustable tensor wire
Red wire connection

Customizable

Measures

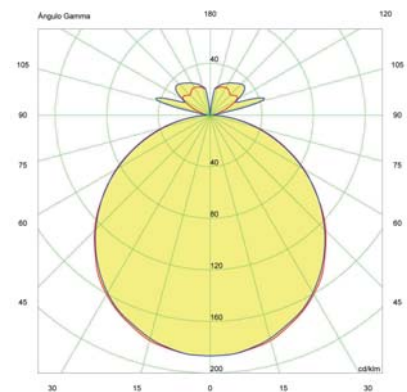


Project information

Project name:	Approved by:
Fixture type:	Date:
Location:	Prepared by:
Comments:	Prepared for:

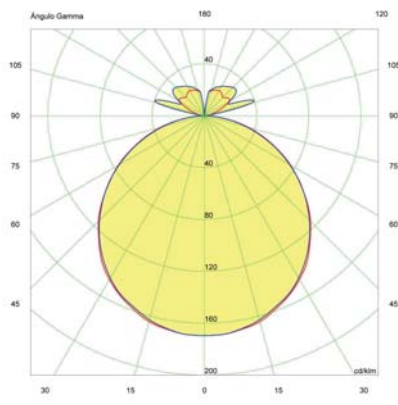
Photometrics

White translucent ribbon



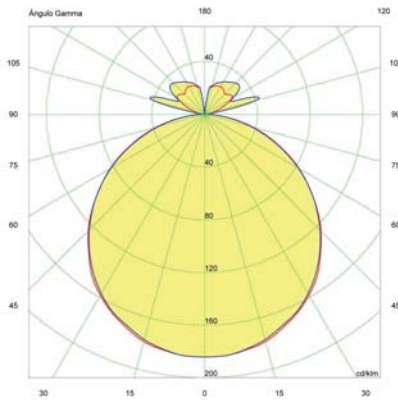
Photometrics

Cream translucent ribbon



Photometrics

Cotton



Photometrics

Red translucent ribbon

