

#### Features

- Freestanding bath is a focal point and adds character to your bathing space.
- Integral lumbar support on both ends.
- Safeguard® slip-resistant surface on bath floor.
- Coordinates with Artifacts® faucets.

#### Material

- KOHLER® enameled cast iron.
- Painted exterior in Biscuit.

#### Installation

- Freestanding.

#### Required Products/Accessories

K-204 ball-and-claw feet

K-7159 1-1/2" pop-up bath drain for freestanding baths

or

K-20027 bath base for freestanding bath

K-7159 1-1/2" pop-up bath drain for freestanding baths

#### Recommended Products/Accessories

K-23726 Drain treatment

K-23725 Cast iron cleaner



#### Codes/Standards

ASME A112.19.1/CSA B45.2

#### KOHLER® Enameled Cast Iron Bath and Shower Base Lifetime Limited Warranty

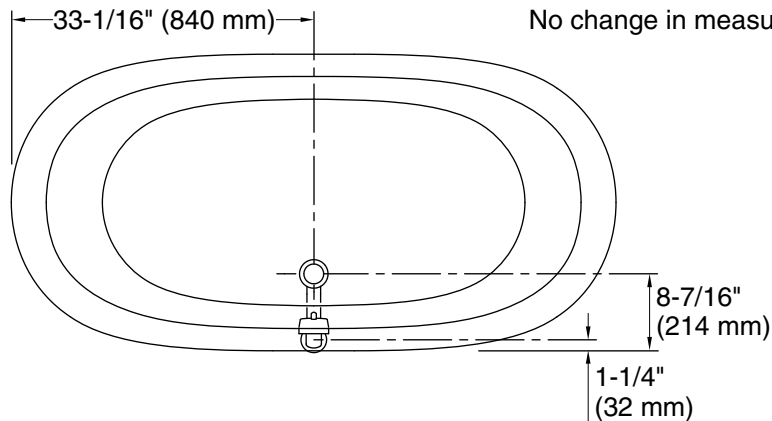
See website for detailed warranty information.

#### Available Colors/Finishes

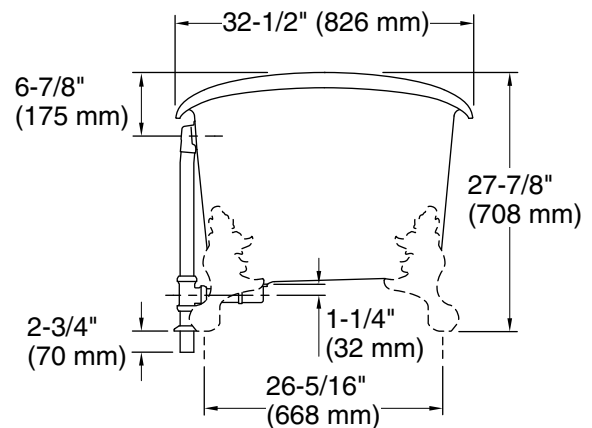
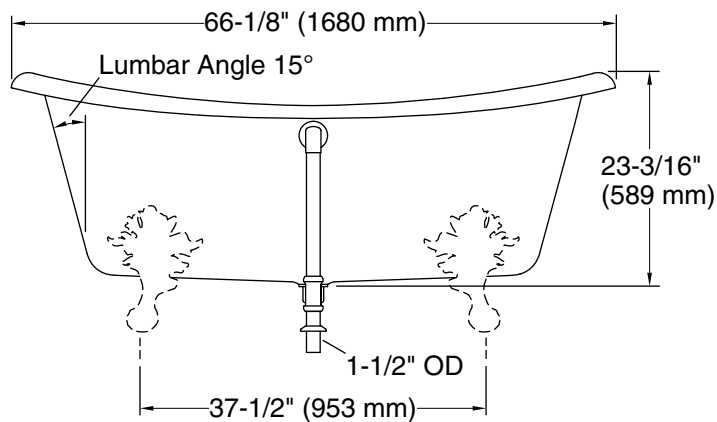
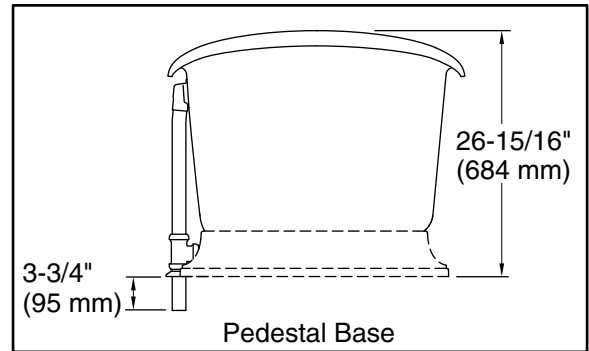
*Color tiles intended for reference only.*

Color	Code	Description
-------	------	-------------

	96	Biscuit
--	----	---------



No change in measurements if connected with drain illustrated. (K-7159)



### Technical Information

All product dimensions are nominal.

Installation:	Freestanding
Drain location:	Center rear
Basin area, bottom:	48-15/16" x 24-3/4" (1243 mm x 629 mm)
Basin area, top:	58-11/16" x 27-13/16" (1491 mm x 706 mm)
Weight:	389.5 lbs (176.7 kg)
Minimum floor load:	90 lbs/ft <sup>2</sup> (439.4 kg/m <sup>2</sup> )
Water depth:	14-3/8" (366 mm)
Water capacity:	90 gal (340.7 L)
Template:	Footprint, 1344921-7, required, not included

### Notes

Measure your actual product for rough-in details.

Install this product according to the installation instructions.

The hot water supply should be 70% of the capacity of the bath or greater. Installations will vary.