



CUT HERE TO CREATE PLUMBING VOID

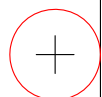
If the furniture conceals pipe runs along the wall, please cut out the corners as shown to create the plumbing void.

IMPORTANT: The pipe runs should be done prior to fitting the furniture in place. Once fitted there is no access to the pipes apart from at the basin waste and tap connections.

IMPORTANT: Do not cut the sides which will be visible from the outside. Only cut internal sides.



CUT HERE TO CREATE PLUMBING VOID

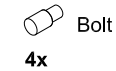


Plumbing Cover - Grey X02G

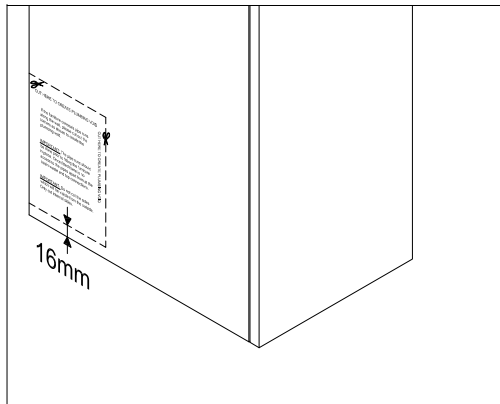
TOOLS REQUIRED:



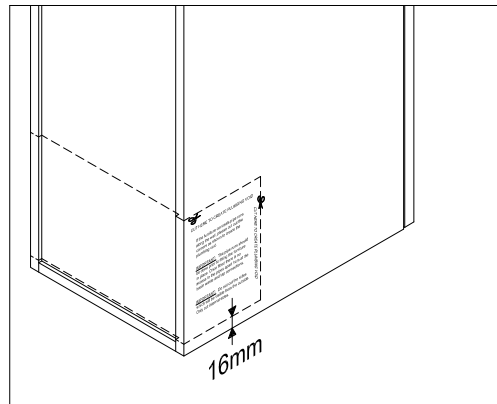
PART SUPPLIED:



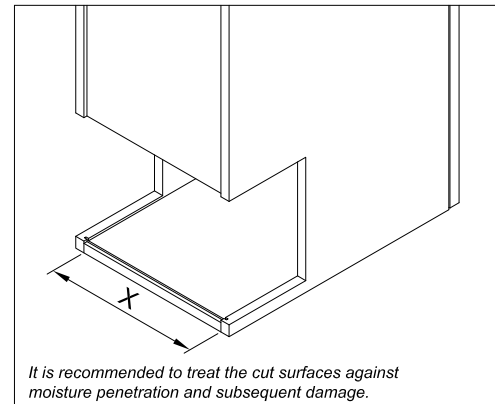
IMPORTANT: All cut surfaces should be sealed to protect against moisture penetration and subsequent damage.



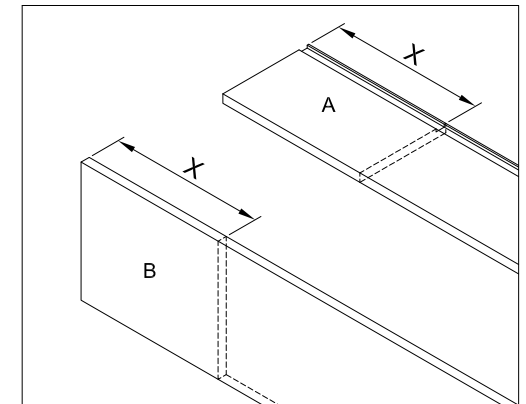
Attach the template supplied with the plumbing cover to the unit.



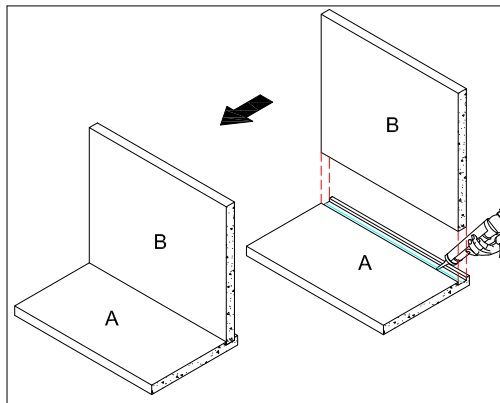
Following the template mark out the cutting lines. If necessary, please use a spirit level.



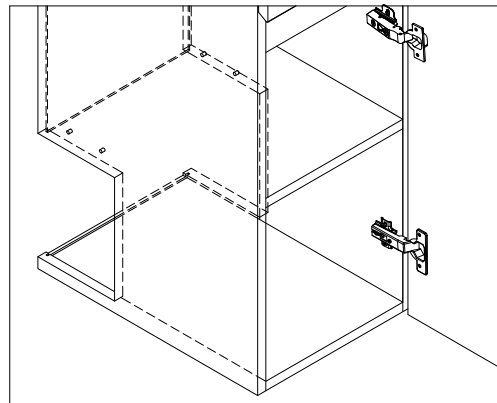
It is recommended to treat the cut surfaces against moisture penetration and subsequent damage.



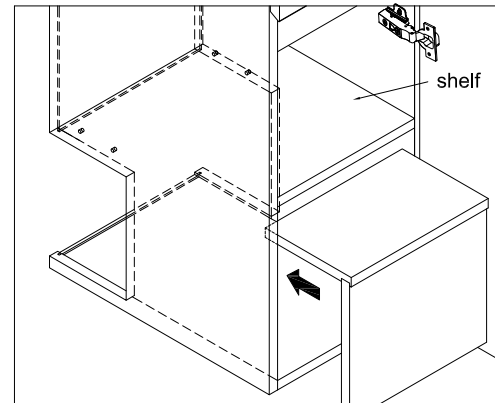
Cut the plumbing cover based on the dimension X.



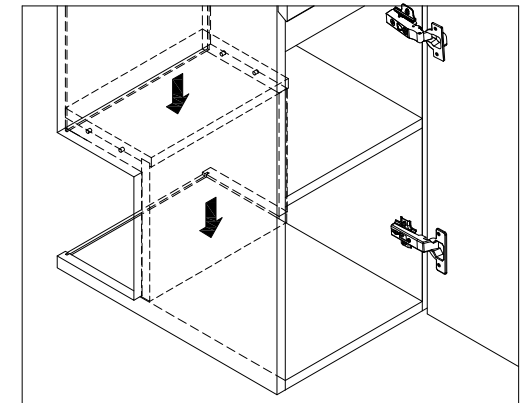
Please apply silicon to the slot in board A, and then fit board B into A properly. It is recommended to treat the cut surface against moisture penetration and subsequent damage.



Insert the plastic bolts into the 4 holes on both sides.



Push the plumbing cover into the unit. If necessary please temporarily take off the shelf.



Sit the plumbing cover onto the bolts slightly, adjust the position if necessary.