

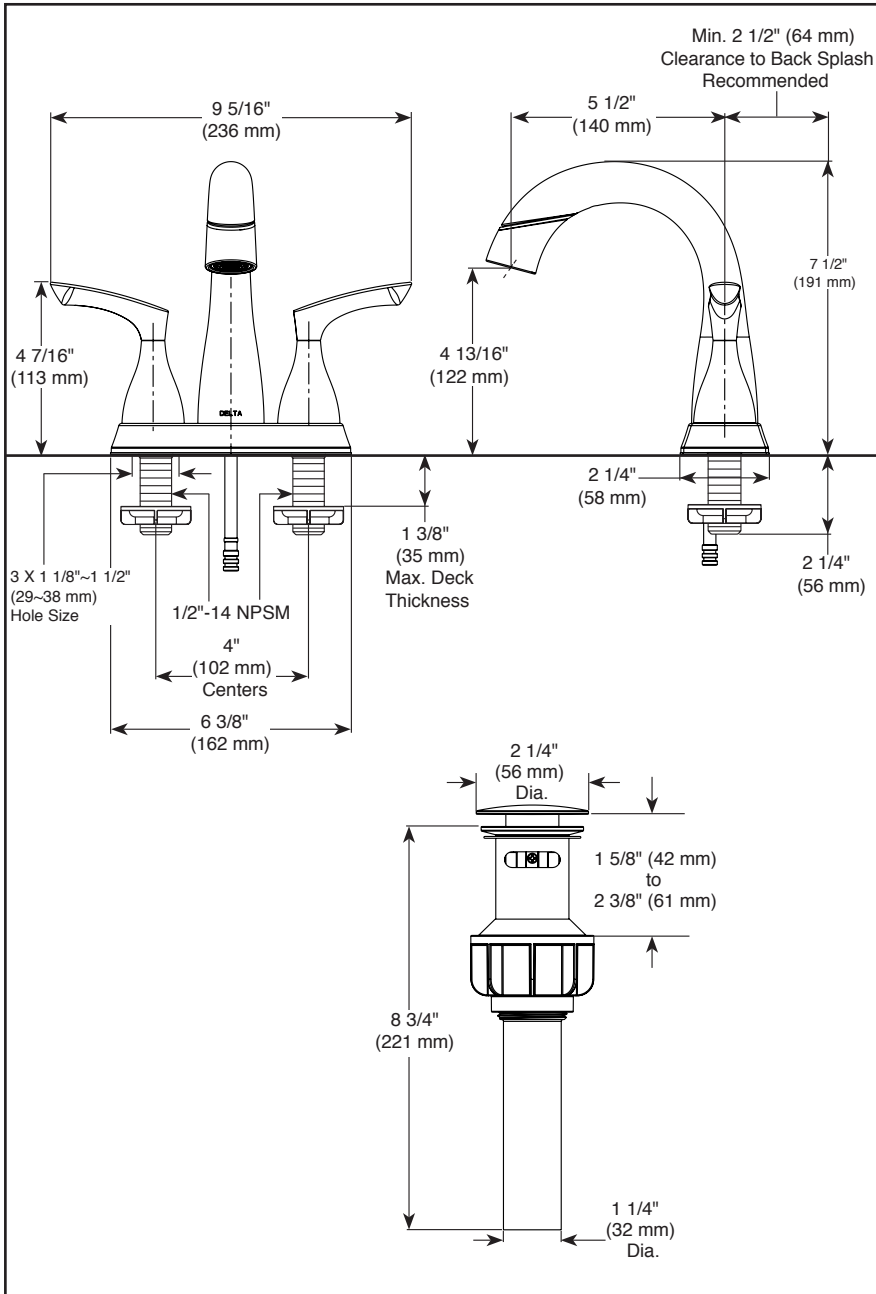


25765LF▲



Submitted Model No.: _____

Specific Features: _____



▲ Designate proper finish suffix

Delta reserves the right (1) to make changes in specifications and materials, and (2) to change or discontinue models, both without notice or obligation. Dimensions are for reference only. See current full-line price book or www.deltafaucet.com for finish options and product availability.

DSP-L-25765LF Rev. A



see what Delta can do™

LAVATORY FAUCET

- Broadmoor™ Collection
- Two Handle Deck Mount Pull-out

STANDARD SPECIFICATIONS:

- Maximum flow rate 1.2 gpm @ 60 psi, 4.5 L/min @ 414 kPa.
- Three hole mount.
- Hot and cold stems are interchangeable.
- All operating parts are replaceable from the top.
- 1/4 turn handle stops.
- 1/2"-14 NPSM threaded male inlet shanks.
- Control mechanism is a rotating cylinder type with stainless steel plate and 90° rotation, with replaceable non-metallic seats.
- Dual integral check valves in sprayer
- Model have push pop-up with overflow

WARRANTY

- Lifetime limited warranty on parts (other than electronic parts and batteries) and finishes; or, for commercial users, for 5 years from the date of purchase.
- 5 year limited warranty on electronic parts (other than batteries); or for commercial users, for 1 year from the date of purchase. No warranty is provided on batteries



COMPLIES WITH:

- ASME A112.18.1 / CSA B125.1
- ASME A112.18.2 / CSA B125.2

Indicates compliance to ICC / ANSI A117.1

- EPA WaterSense®
- Verified compliant with 0.25% weighted average Pb content regulations.

Delta Faucet Company

55 E. 111th Street, Indianapolis, Indiana 46280
350 South Edgeware Road, St. Thomas, Ontario Canada N5P 4L1
© 2017 Delta Faucet Company