



see what Delta can do™

Turner® Dual Flush Toilet C43908D▲



Technical Information	
Fixture configuration	Two-piece, elongated
Water per flush	1.6 gpf (6.0 lpf) / 1.1 gpf (4.1 lpf)
Passageway	2" (51mm)
Water area	9 3/4" X 6 1/8" (247mm x155 mm)
Seat post hole centers	5 1/2" (140mm)
Included:	
Tank	RP91467▲
Tank Cover (Less Flush Button)	RP91470▲
Flush Button Assembly	RP91469▲
Mounting Hardware – Bowl to floor	RP100491
Mounting Hardware – Tank to bowl	RP100493
Seat Assembly	RP92086▲

▲ Designate proper finish suffix (-WH for white)

Installation Notes

- Install this product according to the installation guide.
- This model complies with the American Disabilities Act (ADA) when installed per the requirements of the Accessibility Guidelines, Section 604 Water Closets, of the Act, which includes the installation of an open front seat (not included).
- This model complies with CSA B651 when installed per Clause 4.3.6 of the standard.

STANDARD SPECIFICATIONS:

- Vitreous China.
- 29 7/8" (758 mm) in length, 18" (457 mm) in width, 31" (787 mm) in height.
- Elongated bowl with chair height design (16 1/2" to top of the bowl).
- 12" (305 mm) rough-in.
- Dual/High Efficiency Toilet (HET) Flush System.
- 3" flush valve.
- 2" (51 mm) fully glazed trapway.
- SmartFit™ tank-to-bowl connection with tool for installation.
- Delta toilet kit includes the tank, bowl, toilet seat, mounting hardware, wax ring and SmartFit™ Multi-Tool. No additional tool required.

WARRANTY

- Chinaware – Lifetime limited warranty; or for commercial purchasers, 10 years for multi-family residential (apartments and condominiums) and 5 years for all other commercial uses, in each case from the date of purchase.
- Mechanical Parts – 1 year from the date of purchase.
- Electronic Parts and Batteries (if applicable) – 5 years from the date of purchase; or for commercial purchasers, 1 year from the date of purchase. No warranty is provided on batteries.
- Toilet Seats – 1 year from the date of purchase. For commercial purchasers no warranty is given.



COMPLIES WITH

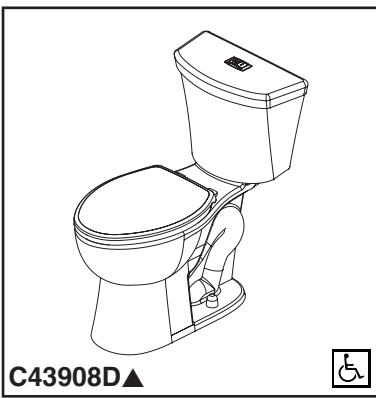
- ADA
- ASME A112.19.2 / CSA B45.1
- ASME A112.19.14
- ASME A112.19.5
- ICC / ANSI A117.1
- EPA WaterSense® High Efficiency Toilet
- CalGreen



see what Delta can do™

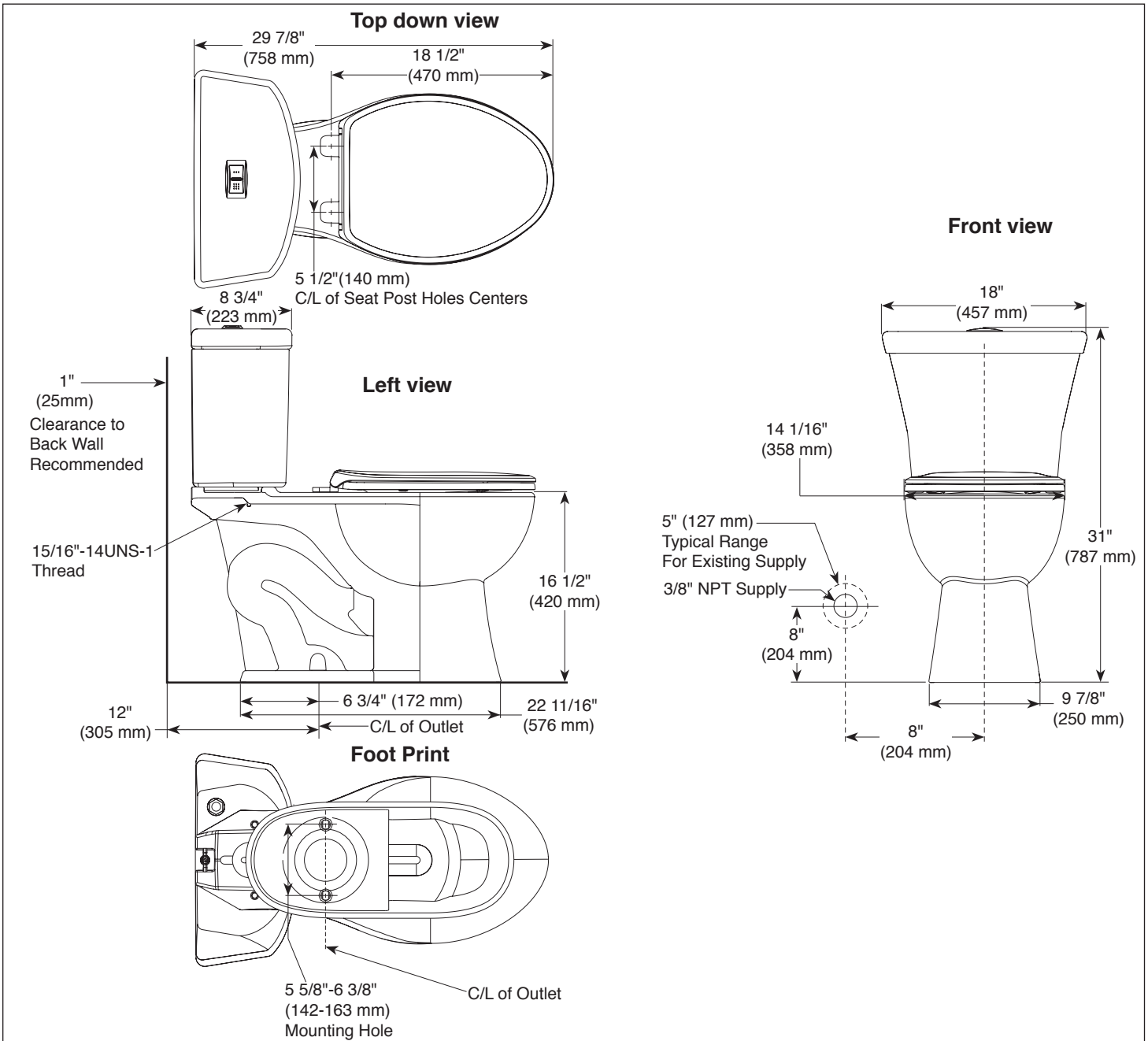
Turner® Dual Flush Toilet C43908D▲

■ Elongated Bowl



Submitted Model No.: _____

Specific Features: _____



▲ Designate proper finish suffix

Delta reserves the right (1) to make changes in specifications and materials, and (2) to change or discontinue models, both without notice or obligation. Dimensions are for reference only. See full-line pricebook or www.deltatoilet.com for finish options and product availability.