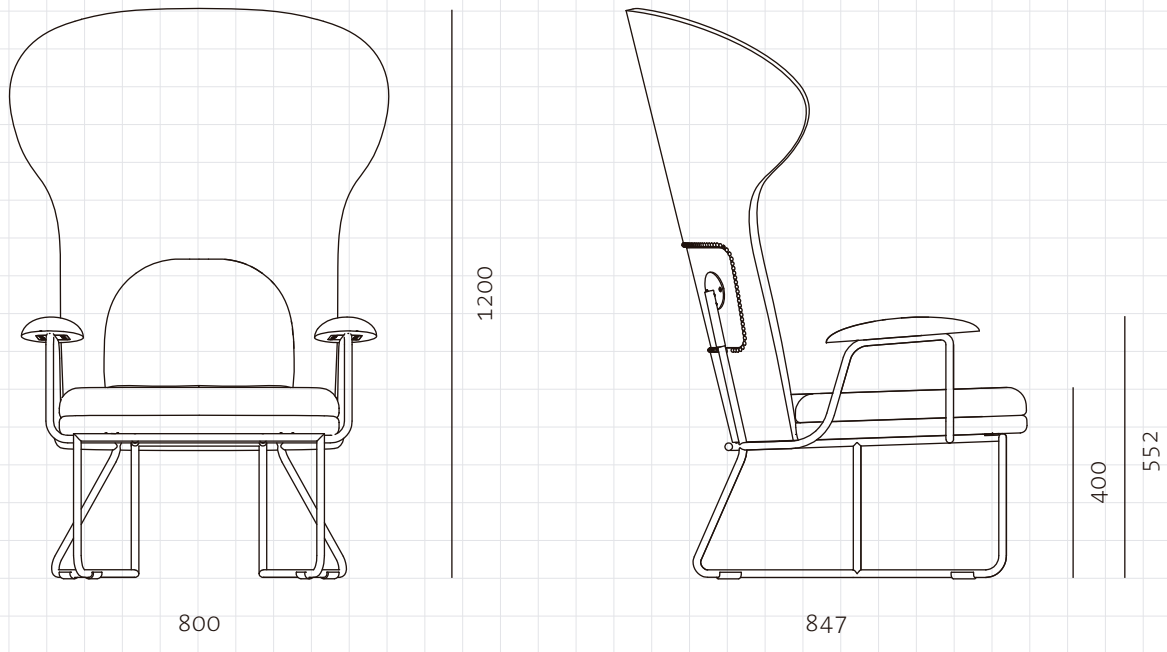


Chillax Highback Chair



CODE

CH-S141

DIMENSIONS

W800 x D847 x H1200mm

NET WEIGHT

Seating height: 400mm

ENVIRONMENT

27.0 kg

MATERIALS

Indoor

Powder coated steel frame, Brass plated stainless steel, Solid wood armrest, Upholstery

*Please refer to website or contact your local representative for complete material swatches.

SHIPPING

Package	Assembled		
Package Qty	1 pcs/box		
Packaging	Measurement (mm)	Volume (cbm)	Gross Weight (kg)
FCL	W865 x D912 x H1285	1.01	39.0
LCL/AIR	W885 x D932 x H1380	1.14	49.0