

E62324-F



Collection: FLIGHT PURE

Finish*:



00 - Blanc

Main features:



Features

- **DIMENSIONS:** 100 x 80 x 2.60 cm
- **MATERIAL:** Flight
- **NORMS AND REGULATION:** CE
- **ACCESSORY TYPE:** Riser kit
- **SURFACE PATTERN:** Anti-slip texture
- **DESCRIPTION OF RISER KIT:** Riser kit without apron: adjustable clip-on feet (+ 10/13 cm)
- **Optional:** Riser kit (height +10/13 cm), watertight strip.

- **WEIGHT:** 24 kg
- **INSTALLATION TYPE:** 38
- **SHAPE:** Rectangular
- **PRODUCT INCLUDED:** Waste
- **ADHERENCE:** PN 24 per NF standard
- **10-year warranty**

Consumer benefits

- **ROBUSTNESS:** Flight material is very sturdy from dual-component resin topped with an acrylic layer, offering an excellent compromise between strength, resistance and weight - High resistance to impacts: limited risk of chipping
- **INCREASED HYGIENE:** Anti-bacterial treatment: BioCote process-incorporated silver ion technology - Effectively reduces bacteria (up to 99 % in 2 hours)- Complements usual cleaning by acting as a second protection 24/7 - Keeps its anti-microbial properties throughout the tray's lifetime
- **STREAMLINED DESIGN:** Extra-low walk-in shower tray with no inside projection, but sufficient slope to drain water

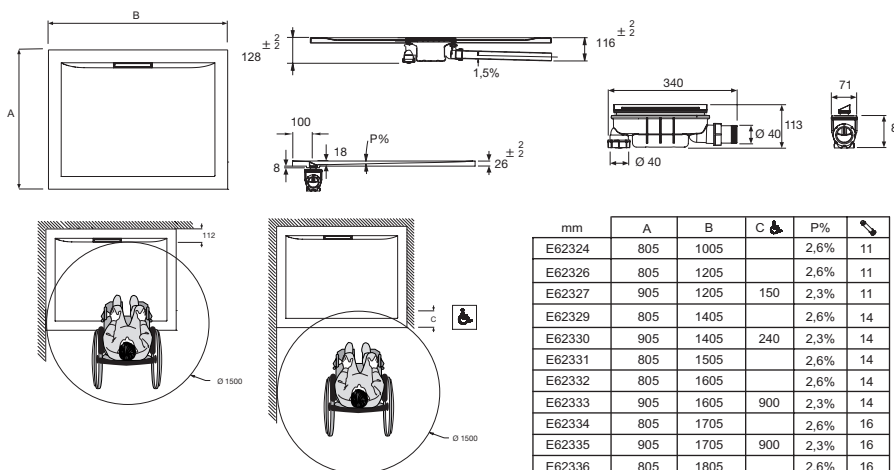
Installation benefits

- **3 INSTALLATION OPTIONS:** Floorstanding, inset or raised, height 3 cm. Optional accessory: Extra-low waste E6266-NF
- **EASY INSTALLATION:** Virtually-straight corners for flush installation with tiling and dimensional accuracy to the nearest millimeter
- **WASTE:** Shower tray supplied with complete waste, water line 50 mm, 2 outlets (horizontal and vertical). Flow rate 29 L/min.

Optional products

- E62751: Riser kit without apron

Technical drawing



Product Specification: Rectangular shower tray 100 cm. E62324-F. Collection: FLIGHT PURE. DIMENSIONS: 100 x 80 x 2.60 cm. WEIGHT: 24 kg. MATERIAL: Flight. INSTALLATION TYPE: 38. NORMS AND REGULATION: CE. SHAPE: Rectangular. ACCESSORY TYPE: Riser kit. PRODUCT INCLUDED: Waste. SURFACE PATTERN: Anti-slip texture. ADHERENCE: PN 24 per NF standard. DESCRIPTION OF RISER KIT: Riser kit without apron: adjustable clip-on feet (+ 10/13 cm). 10-year warranty. Optional: Riser kit (height +10/13 cm), watertight strip..

*Due to possible variations in computer and printer calibrations, technical factors and certain finish characteristics, the colors you see may not accurately portray the actual colors and are provided as a guide only.