

Marchio / Brand ZUCCHETTI

Classe / Class WW

## MEDAMEDA

Z94610

Deviatore 2/3 vie. / 2/3 way diverter.



Deviatore 2/3 vie senza apertura/chiusura acqua, uscite da 1/2".

2/3 way diverter without water on/off function, 1/2" outlets.

R97830

Parte incasso deviatore 2 vie / Built-in part - 2 way diverter



R97835

Parte incasso deviatore 3 vie / Built-in part - 3 way diverter



## Finiture / Finishes



Cromo / Chrome



C3

Nickel Spazzolato /  
Brushed Nickel



C8

Nickel Lucido / Polished  
Nickel



C40

Oro / Gold



C41

Oro spazzolato / Brushed  
Gold



C50

Metal Black / Metal Black



C51

Metal Black spazzolato /  
Brushed Metal Black



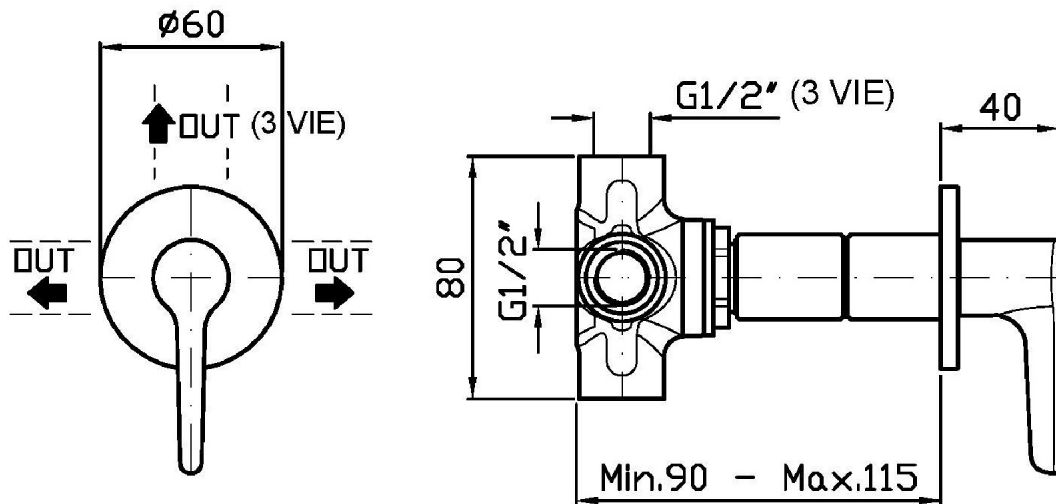
N1

Nero Opaco Goffrato /  
Embossed Matt Black

## MEDAMEDA

Z94610

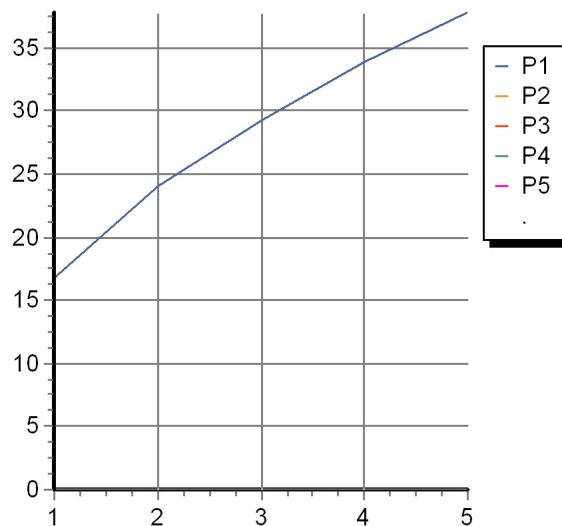
Disegno Complessivo / Overall Drawing



## MEDAMEDA

Z94610 Portate / Flowrates (lt/min)

| PRESSIONE<br>PRESSURE  | 1 BAR | 2 BAR | 3 BAR | 4 BAR | 5 BAR |
|------------------------|-------|-------|-------|-------|-------|
| DEVIATORE<br><i>P1</i> | 16,7  | 24    | 29,2  | 33,8  | 37,8  |
| <i>P2</i>              |       |       |       |       |       |
| <i>P3</i>              |       |       |       |       |       |
| <i>P4</i>              |       |       |       |       |       |
| <i>P5</i>              |       |       |       |       |       |



## MEDAMEDA

Z94610 Pesì e Misure / Weights and Sizes

|                               |               |               |
|-------------------------------|---------------|---------------|
| Peso ( Kg ) Weight ( lb )     | 0,55 ( Kg )   | 1,21 ( lb )   |
| Volume test ( dc3 ) - ( in3 ) | 0,91 ( dc3 )  | 55,53 ( in3 ) |
| h ( mm ) - ( in )             | 66,00 ( mm )  | 2,60 ( in )   |
| L1 ( mm ) - ( in )            | 111,00 ( mm ) | 4,37 ( in )   |
| L2 ( mm ) - ( in )            | 123,00 ( mm ) | 4,84 ( in )   |

