

AXEL

Axel One Piece Dual Flush Watercloset

XLWC01



SHOWN IN AXEL ONE PIECE DUAL FLUSH WATERCLOSET | XLWC01

TECHNICAL DETAILS

Adjustable Levelers / Feet: N
Bolt Cap Material: Plastic
Flush Motion: Push
Flush Position: Top of Lid
Flush Primary Material: Plastic
Flushing Technology: Dual Flush
Depth / Width: 28"
Height: 25 7/16"
Inlet Connection Size: 1/2"
Inlet Connection Type: Male Threads
Length: 14 1/16"
Seat Height: 17"
Seat Hole Spread: 5 11/16"
Sink Visibility: N
Sound Proofing: N
Stain Resistance: N
Suggested Application: Bath
Tank Surface Shape: Flat Rectangle
Water Pressure Maximum: 85.0 psi
Water Pressure Minimum: 20.0 psi
Water Pressure Recommended: 45.0 psi

INSPIRATION

Axel adds a modern, sculptural element to contemporary bathroom design. Elemental shapes and a sleek finish combine to create a refined and assertive statement.

PRODUCT FEATURES

Two button dual flush offers a choice of 1.0 or 1.6 gallons per flush(gpf).
Skirted trapway facilitates easy cleaning and eliminates hard to reach areas that may harbor germs.
No assembly required with its one piece construction.
Includes dedicated Axel seat with slow close mechanism and quick release for ease of cleaning.
Supply kits available separately.

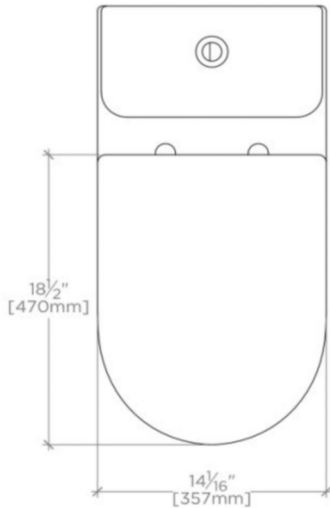
PRODUCT (NOTES)

Dimensions of fixtures are nominal. Measure your actual product for rough-in details.

AXEL

XLWC01

Axel One Piece Dual Flush Watercloset

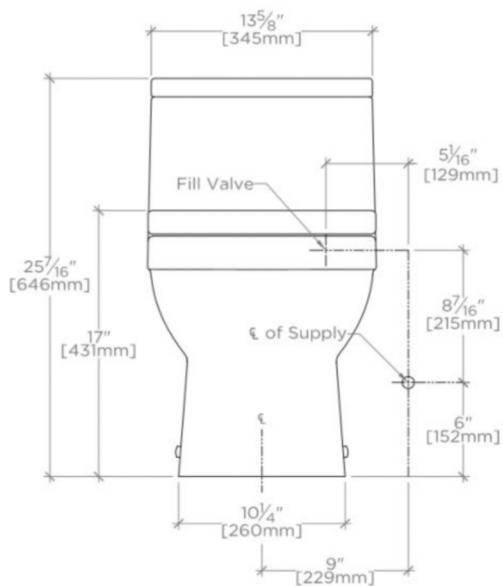


TOP VIEW

SCALE: 1"=1'-0"

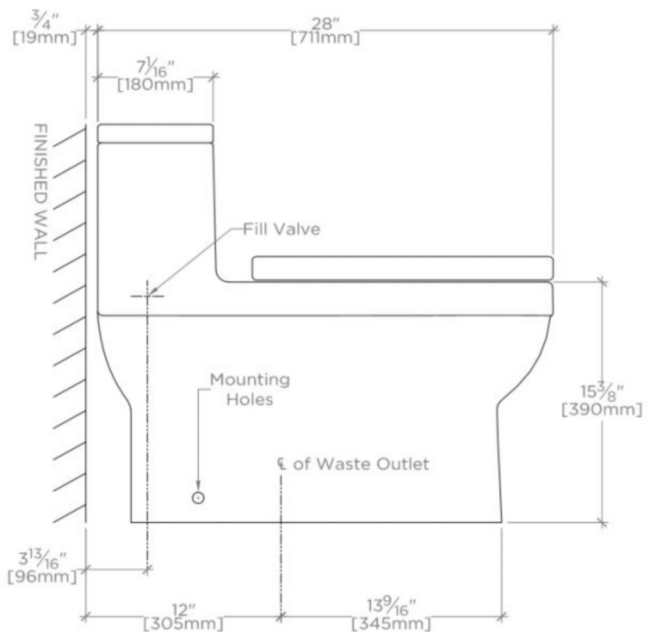
NOTES:

1. THE FILL VALVE HAS A 1/2" MALE INLET CONNECTION AND REQUIRES A FEMALE 3/8" COMPRESSION x FEMALE 1/2" IPS x 12" LENGTH BRAIDED STAINLESS STEEL FAUCET SUPPLY LINE.
2. A 1/2" FEMALE x 7/8" MALE ADAPTER AND GASKET FOR THE FILL VALVE IS PROVIDED. THIS WOULD REQUIRE A FEMALE 3/8" COMPRESSION x FEMALE 7/8" BALLCOCK NUT x 12" LENGTH BRAIDED STAINLESS STEEL TOILET CONNECTOR.
3. THE SUPPLY LINE OR TOILET CONNECTOR IS NOT SUPPLIED.
4. THE SUPPLY LINE OR TOILET CONNECTOR MUST BE ATTACHED TO THE FILL VALVE PRIOR TO SETTING THE WATERCLOSET.



FRONT VIEW

SCALE: 1"=1'-0"



SIDE VIEW

SCALE: 1"=1'-0"