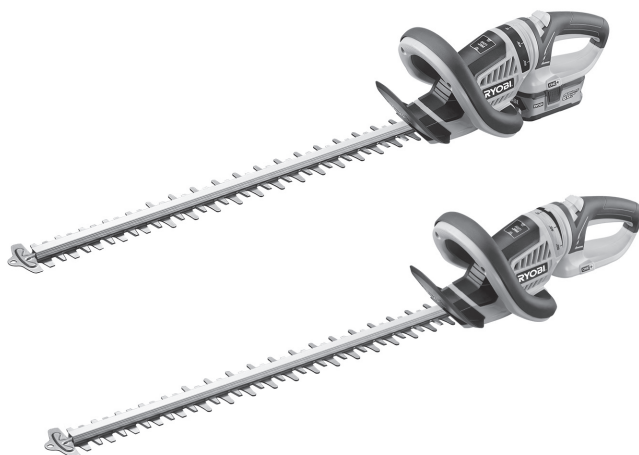


# RYOBI®

RHT1855R40  
RHT1851R25  
RHT1851R20  
RHT1851R15  
OHT1855R  
OHT1851R

ORIGINAL INSTRUCTIONS  
TRADUCTION DES INSTRUCTIONS ORIGINALES  
ÜBERSETZUNG DER ORIGINALANLEITUNG  
TRADUCCIÓN DE LAS INSTRUCCIONES ORIGINALES  
TRADUZIONE DELLE ISTRUZIONI ORIGINALI  
VERTALING VAN DE ORIGINELE INSTRUCTIES  
TRADUÇÃO DAS INSTRUÇÕES ORIGINAIS  
OVERSÆTTELSE AF DE ORIGINALE INSTRUKTIONER  
ÖVERSÄTTNING AV DE URSPRUNGLIGA INSTRUKTIONERNA  
ALKUPERÄISTEN OHJEIDEN SUOMENNOSS  
OVERSETTELSE AV DE ORIGINALE INSTRUKSJONENE  
ПЕРЕВОД ОРИГИНАЛЬНЫХ ИНСТРУКЦИЙ  
TŁUMACZENIE INSTRUKCJI ORYGINALNEJ  
PŘEKLAD ORIGINÁLNÍCH POKYNŮ  
AZ EREDETI ÚTMUTATÓ FORDÍTÁSA  
TRADUCEREA INSTRUCȚIUNILOR ORIGIALE  
TULKOTS NO ORIĢINĀLĀS INSTRUKCIJAS  
ORIGINALIŲ INSTRUKCIJŲ VERTIMAS  
ORIGINAALJUHENDI TÕLGE  
PRIJEVOD ORIGINALNIH UPUTA  
PREVOD ORIGINALNIH NAVODIL  
PREKLAD ORIGINÁLNYCH POKYNOV  
ПРЕВОД ОТ ОРИГИНАЛНИТЕ ИНСТРУКЦИИ  
ПЕРЕКЛАД ОРИГИНАЛЬНИХ ИНСТРУКЦІЙ  
ORIJINAL TALĪMATLAR



EN  
FR  
DE  
ES  
IT  
NL  
PT  
DA  
SV  
FI  
NO  
RU  
PL  
CS  
HU  
RO  
LV  
LT  
ET  
HR  
SL  
SK  
BG  
UK  
TR





- Important!** It is essential that you read the instructions in this manual before assembling, maintaining and operating the product.
- Attention!** Il est essentiel que vous lisiez les instructions contenues dans ce manuel avant d'assembler, d'entretenir et d'utiliser le produit.
- Achtung!** Es ist wichtig, dass Sie vor Zusammenbau, Wartung und Benutzung des Produktes die Anweisungen in dieser Anleitung lesen.
- ¡Atención!** Resulta fundamental que lea este manual de instrucciones antes de realizar el montaje, el mantenimiento y de utilizar este producto
- Attenzione!** È importante leggere le istruzioni contenute nel presente manuale prima di montare il prodotto, svolgere le operazioni di manutenzione sullo stesso e metterlo in funzione.
- Let op!** Het is van essentieel belang dat u de instructies in deze gebruiksaanwijzing leest voor u het product monteert, onderhoudt en gebruikt.
- Atenção!** É fundamental que leia as instruções deste manual antes da montagem, manutenção e operação do aparelho.
- OBS!** Det er vigtigt, at man læser instrukserne i denne brugsanvisning, inden man samler, vedligeholder og betjener produktet.
- Observera!** Det är viktigt att du läser instruktionerna i manualen före montering, användning och underhåll av produkten.
- Huomio!** On tärkeää, että luet tämän käsikirjan ohjeet ennen tuotteen kokoamista, huoltoa ja käyttöä.
- Advarsel!** Det er viktig at du leser instruksjonene i denne manualen før sammensetning, vedlikehold og bruk av produktet
- Внимание!** Необходимо прочитать инструкции в данном руководстве перед сборкой, обслуживанием и эксплуатацией этого изделия.
- Uwaga!** Koniecznie należy przeczytać instrukcje zawarte w tym podręczniku przed montażem, obsługą oraz konserwacją produktu.
- Důležité upozornění!** Neinstalujte, neprovádějte údržbu ani nepoužívejte tento výrobek dříve, než si přečtete pokyny uvedené v tomto návodu.
- Figyelem!** Fontos, hogy a termék összeszerelése, karbantartása és használatá elött elolvassa a kézikönyvben található utasításokat.
- Atenție!** Este esențial să citiți instrucțiunile din acest manual înainte de asamblare, efectuarea întreinerii și operarea produsului.
- Uzmanību!** Ir svarīgi izlasīt šīs rokasgrāmatas instrukcijas pirms uzstādīšanas, apkopes un precas darbināšanas.
- Dėmesio!** Prieš surenkant, prižiūrint ir naudojam gaminį, būtina perskaityti šiam vadove pateiktus nurodymus.
- Tähtis!** Enne masina kokkupanekut, hooldamist ja kasutama hakkamist tuleb käesolevas juhendis esitatud juhised kindlasti läbi lugeda.
- Upozorenje!** Vrlo je važno da ste prije sklapanja, održavanja i rada s ovim proizvodom pročitali upute u ovom priručniku.
- Pomembno!** Pomembno je da pred montažo vzdrževanjem in uporabo tega izdelka preberete navodila v tem priročniku.
- Upozornenie!** Je dôležité, aby ste si pred montážou, údržbou a obsluhou produktu prečítali pokyny v tomto návode.
- Важно!** Исключительно важно е да прочетете инструкциите в настоящото ръководство, преди да преминете към сглобяване, поддръжка или работа с продукта.
- Важливо!** Дуже важливо, щоб ви прочитали інструкції в цьому керівництві перед складанням, обслуговуванням та експлуатацією цієї машини.
- Önemli!** Ürünü monte etmeden, kullanmadan ve bakımını yapmadan önce bu kılavuzdaki talimatları okumanız önemlidir.

Subject to technical modification | Sous réserve de modifications techniques | Technische Änderungen vorbehalten | Bajo reserva de modificaciones técnicas | Con riserva di eventuali modifiche tecniche | Technische wijzigingen voorbehouden | Com reserva de modificações técnicas | Med forbehold for tekniske ændringer | Med förbehåll för tekniska ändringar | Tekniset muutokset varataan | Med forbehold om tekniske endringer | могут быть внесены технические изменения | Z zastrzeżeniem modyfikacji technicznych | Změny technických údajů vyhrazeny | A műszaki módosítás jogát fenntartjuk | Sub rezerva modificațiilor tehnice | Paturam tiesības mainīt tehniskos raksturlielumus | Pasīlielikant teisę daryti techninius pakeitimus | Tehnilised muudatused võimalikud | Podloženo tehničkim promjenama | Tehnične spremembe dopuščene | Právo na technické zmeny je vyhradené | Подлежи на технически модификации | Є об'єктом для технічних змін | Teknik değişikliğe tabidir.



Safety, performance, and dependability have been given top priority in the design of your cordless hedge trimmer.

### INTENDED USE

The cordless hedge trimmer is only intended for use outdoors. For safety reasons, the product must be adequately controlled by using two-handed operation.

The product is designed for home or domestic use. It is intended to cut and trim hedges, shrubs, and similar vegetation.

It should be used in dry and well-illuminated conditions.

It is not intended to cut grass, trees, or branches. It should not be used for any other purpose than hedge trimming.

### GENERAL POWER TOOL SAFETY WARNINGS

#### WARNING

**Read all safety warnings and all instructions.** Failure to follow the warnings and instructions may result in electric shock, fire, and/or serious injury. Save all warnings and instruction for future reference.

The term "power tool" in the warnings refers to your mains-operated (corded) power tool or battery-operated (cordless) power tool.

#### WORK AREA SAFETY

- **Keep work area clean and well lit.** Cluttered or dark areas invite accidents.
- **Do not operate power tools in explosive atmospheres, such as in the presence of flammable liquids, gases or dust.** Power tools create sparks which may ignite the dust or fumes.
- **Keep children and bystanders away while operating a power tool.** Distractions can cause you to lose control.

#### ELECTRICAL SAFETY

- **Power tool plugs must match the outlet. Never modify the plug in any way. Do not use any adapter plugs with earthed (grounded) power tools.** Unmodified plugs and matching outlets will reduce risk of electric shock.
- **Avoid body contact with earthed or grounded surfaces, such as pipes, radiators, ranges and refrigerators.** There is an increased risk of electric shock if your body is earthed or grounded
- **Do not expose power tools to rain or wet conditions.** Water entering a power tool will increase the risk of electric shock.
- **Do not abuse the cord. Never use the cord for carrying, pulling or unplugging the power tool. Keep cord away from heat, oil, sharp edges or moving parts.** Damaged or entangled cords increase the risk of electric shock.
- **When operating a power tool outdoors, use an extension cord suitable for outdoor use.** Use of a cord suitable for outdoor use reduces the risk of electric shock.

- **If operating a power tool in a damp location is unavoidable, use a residual current device (RCD) protected supply.** Use of an RCD reduces the risk of electric shock.

#### PERSONAL SAFETY

- **Stay alert, watch what you are doing and use common sense when operating a power tool. Do not use a power tool while you are tired or under the influence of drugs, alcohol or medication.** A moment of inattention while operating power tools may result in serious personal injury.
- **Use personal protective equipment. Always wear eye protection.** Protective equipment such as dust mask, non-skid safety shoes, hard hat, or hearing protection used for appropriate conditions will reduce personal injury.
- **Prevent unintentional starting. Ensure the switch is in the off-position before connecting to power source and/or battery pack, picking up or carrying the tool.** Carrying power tools with your finger on the switch or energising power tools that have the switch on invites accidents.
- **Remove any adjusting key or wrench before turning the power tool on.** A wrench or a key left attached to a rotating part of the power tool may result in personal injury.
- **Do not overreach. Keep proper footing and balance at all times.** This enables better control of the power in unexpected situations.
- **Dress properly. Do not wear loose clothing or jewellery. Keep your hair, clothing and gloves away from moving parts.** Loose clothes, jewellery or long hair can be caught in moving parts.
- **If devices are provided for the connection of dust extraction and collection facilities, ensure these are connected and properly used.** Use of dust collection can reduce dust-related hazards.

#### POWER TOOL USE AND CARE

- **Do not force the power tool. Use the correct power tool for your application.** The correct power tool will do the job better and safer at the rate for which it was designed.
- **Do not use the power tool if the switch does not turn it on and off.** Any power tool that cannot be controlled with switch is dangerous and must be repaired.
- **Disconnect the plug from the power source and/or the battery pack from the power tool before making any adjustments, changing accessories, or storing power tools.** Such preventive safety measures reduce the risk of starting the power tool accidentally.
- **Store idle power tools out of the reach of children and do not allow persons unfamiliar with the power tool or these instructions to operate the power tool.** Power tools are dangerous in the hands of untrained users.
- **Maintain power tools. Check for misalignment or binding of moving parts, breakage of parts and any other condition that may affect the power tool's operation. If damaged, have the power tool repaired**



**before use.** Many accidents are caused by poorly maintained power tools.

- **Keep cutting tools sharp and clean.** Properly maintained cutting tools with sharp cutting edges are less likely to bind and are easier to control.
- **Use the power tool, accessories and tool bits etc. in accordance with these instructions, taking into account the working conditions and the work to be performed.** Use of the power tool for operations different from those intended could result in a hazardous situation.

#### BATTERY TOOL USE AND CARE

- **Recharge only with the charger specified by the manufacturer.** A charger that is suitable for one type of battery pack may create a risk of fire when used with another battery pack.
- **Use power tools only with specifically designated battery packs.** Use of any other battery packs may create a risk of injury and fire
- **When battery pack is not in use, keep it away from other metal objects, like paper clips, coins, keys, nails, screws or other small metal objects, that can make a connection from one terminal to another.** Shorting the battery terminals together may cause burns or a fire.
- **Under abusive conditions, liquid may be ejected from the battery; avoid contact. If contact accidentally occurs, flush with water. If liquid contacts eyes, additionally seek medical help.** Liquid ejected from the battery may cause irritation or burns.

#### SERVICE

- **Have your power tool serviced by a qualified repair person using only identical replacement parts.** This will ensure that safety of the power tool is maintained.

#### HEDGE TRIMMER SAFETY WARNINGS

- **Keep all parts of the body away from the cutter blade. Do not remove cut material or hold material to be cut when blades are moving. Make sure the switch is off when clearing jammed materials.** A moment of inattention while operating the hedge trimmer may result in serious personal injury.
- **Carry the hedge trimmer by the handle with cutter blade stopped. When transporting or storing the hedge trimmer always fit the cutting device cover.** Proper handling of the hedge trimmer will reduce possible personal injury from the cutter blades.
- **Hold the power tool by insulated gripping surface only, because the cutter blade may contact hidden wiring.** Cutter Blades contacting a "live" wire may make exposed metal parts of the power tool "live" and could give the operator an electric shock.

#### ADDITIONAL SAFETY WARNINGS

- Some regions have regulations that restrict the use of the product to some operations. Check with your local authority for advice. Read all instructions.

- Clear the work area before each use. Remove all objects such as cords, lights, wire, or string that can be thrown or become entangled in the cutting means.
- Check the hedge for foreign objects, such as wire fences.
- Exercise additional caution when using the product near posts, fences, buildings, or other immovable objects.
- Beware of thrown objects; keep all bystanders, children, and pets at least 15 m away from work area.
- Do not allow children or untrained individuals to use the product.
- Do not operate in poor lighting. The operator requires a clear view of the work area to identify potential hazards.
- Ensure all handles and guards are fitted when using the hedge trimmer. Never attempt to use an incomplete hedge trimmer or one fitted with an unauthorised modification.
- Ensure before each use that all controls and safety devices function correctly. Do not use the product if the "off" switch does not stop the product.
- Inspect the product before each use. Check for loose fasteners. Make sure all guards and handles are properly and securely attached. Replace any damaged parts before use. Check the battery pack for leaks.
- Do not modify the product in any way.
- Wear full eye and hearing protection while operating the product. If working in an area where there is a risk of falling objects, head protection must be worn.
- Wear heavy long trousers, boots, and gloves. Do not wear loose fitting clothing, short trousers, jewellery of any kind, or use with bare feet.
- Secure long hair so it is above shoulder level to prevent entanglement in moving parts.
- Use of hearing protection reduces the ability to hear warnings (shouts or alarms). The operator must pay extra attention to what is going on in the working area.
- Operating similar tools nearby increases both the risk of hearing injury and the potential for other persons to enter your working area.
- Do not use the product when you are tired, ill, or under the influence of alcohol, drugs, or medication.
- Keep firm footing and balance. Do not overreach. Overreaching can result in loss of balance and can result in serious injury.
- Keep all parts of your body away from any moving part.
- Before starting the product, make sure the cutting blades will not come in contact with anything.
- While operating the product, always hold it firmly with both hands by the two handles. Ensure that the operating position is safe and secure. The manufacturer does not recommend the use of steps or ladders. If higher trimming is required, use an extended-reach tool.
- Blades are sharp. When handling the blade assembly, wear non-slip, heavy-duty, protective gloves. Do not place your hand or fingers between the blades or in any position where they could get pinched or cut. Never touch the blade or service the product unless the battery pack is removed.



- Switch off and remove the battery pack before:
  - adjusting the working position of the cutting device
  - cleaning or clearing a blockage
  - leaving the product unattended
  - checking, maintaining, or working on the product
- Do not force the hedge trimmer through heavy shrubbery. This can cause the blades to bind and slow down. If the blades slow down, reduce the pace.
- Do not attempt to cut stems or twigs that are larger than 18 mm thick for RHT1851R25 and OHT1851R or 22 mm thick for RHT1851R15, RHT1851R20, RHT1855R40, and OHT1855R, or those obviously too large to feed into the cutting blade. Use a non-powered hand saw or pruning saw to trim large stems.
- Do not operate the product with damaged or excessively worn blades.

**⚠ WARNING**

If the product is dropped, suffers heavy impact, or begins to vibrate abnormally, immediately stop the product and inspect for damage or identify the cause of the vibration. Any damage should be properly repaired or replaced by an authorised service centre.

**TRANSPORTATION AND STORAGE**

- Stop the product, remove the battery pack, and allow both to cool before storing or transporting
- Clean all foreign material from the product. Store it in a cool, dry, and well-ventilated place that is inaccessible to children. For extra safety, store the battery pack separately from the hedge trimmer. Keep away from corrosive agents such as garden chemicals and de-icing salts. Do not store outdoors.
- Cover the blade with the blade protector before storing the product or during transportation.
- For transportation in a vehicle, secure the product against movement or falling to prevent injury to persons or damage to the product.

**TRANSPORTING LITHIUM BATTERIES**

Transport the battery in accordance with local and national provisions and regulations.

Follow all special requirements on packaging and labelling when transporting batteries by a third party. Ensure that no batteries can come in contact with other batteries or conductive materials while in transport by protecting exposed connectors with insulating, non-conductive caps or tape. Do not transport batteries that are cracked or leaking. Check with the forwarding company for further advice.

**MAINTENANCE**

**⚠ WARNING**

Use only original manufacturer's replacement parts, accessories, and attachments. Failure to do so can cause possible injury, poor performance, and may void your warranty.

**⚠ WARNING**

Servicing requires extreme care and knowledge and should be performed only by a qualified service technician. For service, we suggest you bring the product to your nearest authorised service centre for repair. When servicing, use only identical replacement parts.

**⚠ WARNING**

The blades are extremely sharp. To prevent personal injury, exercise extreme caution when cleaning, lubricating, and fitting or removing the blade protector.

- Remove the battery before adjusting, maintaining, or cleaning the product.
- You may make adjustments and repairs described in this manual. For other repairs, contact the authorised service agent.
- After each use, clean the body and handles of the product with a soft, dry cloth.
- After each use, clean the debris from the blades with a stiff brush, and then carefully apply a rust preventative lubricant before refitting the blade protector. The manufacturer recommends you to use a rust-preventative lubricant spray to apply an even distribution and reduce the risk of personal injury from contact with the blades. For information about suitable spray product, check with an authorised service centre.
- Lubricate the blades lightly before use if necessary using the above method.
- Check all nuts, bolts, and screws at frequent intervals for proper tightness to ensure the product is in safe working condition. Any part that is damaged should be properly repaired or replaced by an authorised service centre.

**RESIDUAL RISKS**

Even when the product is used as prescribed, it is still impossible to completely eliminate certain residual risk factors. The following hazards may arise in use and the operator should pay special attention to avoid the following:

- Injury caused by the blade
  - The blade cannot be guarded while cutting. Keep the blade away from yourself and others. Cover it with the blade protector whenever you are not cutting.
- Injury caused by vibration
  - Always use the right tool for the job, use designated handles, and restrict working time and exposure.
- Hearing injury caused by exposure to noise
  - Wear ear protection and limit exposure.

**RISK REDUCTION**

It has been reported that vibrations from hand-held tools may contribute to a condition called Raynaud's Syndrome in certain individuals. Symptoms may include tingling, numbness, and blanching of the fingers, usually apparent upon exposure to cold. Hereditary factors, exposure to

cold and dampness, diet, smoking, and work practices are all thought to contribute to the development of these symptoms. There are measures that can be taken by the operator to possibly reduce the effects of vibration:

- Keep your body warm in cold weather. When operating the product, wear gloves to keep the hands and wrists warm. It is reported that cold weather is a major factor contributing to Raynaud's Syndrome.
- After each period of operation, exercise to increase blood circulation.
- Take frequent work breaks. Limit the amount of exposure per day.

If you experience any of the symptoms of this condition, immediately discontinue use and see your doctor.

### ⚠ WARNING

Injuries may be caused, or aggravated, by prolonged use of a tool. When using any tool for prolonged periods, ensure you take regular breaks.

### DESCRIPTION

See page 128.

### PARTS

1. Rear handle
2. Trigger
3. Handle rotation lock button
4. Front handle
5. Operator presence switch
6. Guard
7. HedgeSweep™ debris sweeper
8. Blade
9. Blade cover
10. Battery pack
11. Battery latch button
12. Charger

### SYMBOLS ON THE PRODUCT



Safety alert



Please read the instructions carefully before starting the product.



Wear ear protection.



Wear eye protection.



Always hold the hedge trimmer with both hands when operating.



Wear non-slip, heavy duty gloves.



To prevent serious injury, do not touch cutting blades.



Do not expose to rain or damp condition.



Beware of thrown or flying objects. Keep all bystanders, especially children and pets, at least 15m away from the operating area.



Conforms to all regulatory standards in the country in the EU where the product is purchased.



EurAsian Conformity Mark



Ukrainian mark of conformity



The guaranteed sound power level is shown on this label by 94 dB.



Waste electrical products should not be disposed of with household waste. Please recycle where facilities exist. Check with your local authority or retailer for recycling advice.

### SYMBOLS IN THIS MANUAL



Parts or accessories sold separately



Note



Warning

The following signal words and meanings are intended to explain the levels of risk associated with this product.

#### ⚠ DANGER

Indicates an imminently hazardous situation, which, if not avoided, will result in death or serious injury.

#### ⚠ WARNING

Indicates a potentially hazardous situation, which, if not avoided, could result in death or serious injury.

#### ⚠ CAUTION

Indicates a potentially hazardous situation, which, if not avoided, may result in minor or moderate injury.

#### CAUTION

Without safety alert symbol

Indicates a situation that may result in property damage.



La plus grande priorité a été donnée à la sécurité, aux performances et à la fiabilité de votre taille-haies sans-fil lors de sa conception.

### UTILISATION PRÉVUE

Ce produit ne doit être utilisé qu'à l'extérieur. Pour des raisons de sécurité, l'appareil doit être manipulé de manière appropriée, en utilisant les deux mains.

Ce produit est destiné à un usage domestique ou privé. Il a été conçu pour la coupe et la taille des haies, des arbustes et autres végétaux similaires.

Il doit être utilisé dans un environnement sec et bien éclairé.

Il n'a PAS été conçu pour la coupe d'herbe, d'arbres ou de branches. Il doit être uniquement utilisé pour la taille des haies.

### INDICATIONS GÉNÉRALES DE SÉCURITÉ POUR OUTILS ÉLECTROPORTEATIFS

#### AVERTISSEMENT

**Lire tous les avertissements et indications.** Le non-respect des avertissements et instructions indiqués ci après peut entraîner un choc électrique, un incendie et/ou de graves blessures sur les personnes. Conserver tous les avertissements et toutes les instructions pour pouvoir s'y reporter ultérieurement.

La notion d'« outil électroportatif » mentionnée dans les avertissements se rapporte à des outils électriques raccordés au secteur (avec câble de raccordement) et à des outils électriques à accu (sans câble de raccordement).

#### SÉCURITÉ À L'ENDROIT DE TRAVAIL

- **Maintenez l'endroit de travail propre et bien éclairé.** Un lieu de travail en désordre ou mal éclairé augmente le risque d'accidents.
- **N'utilisez pas l'outil électroportatif dans un environnement présentant des risques d'explosion et où se trouvent des liquides, des gaz ou poussières inflammables.** Les outils électroportatifs génèrent des étincelles risquant d'enflammer les poussières ou les vapeurs.
- **Tenez les enfants et autres personnes éloignés durant l'utilisation de l'outil électroportatif.** En cas d'inattention vous risquez de perdre le contrôle sur l'appareil.

#### SÉCURITÉ RELATIVE AU SYSTÈME ÉLECTRIQUE

- **La fiche de secteur de l'outil électroportatif doit être appropriée à la prise de courant. Ne pas modifier en aucun cas la fiche. Ne pas utiliser de fiches d'adaptateur avec des outils électroportatifs avec mise à la terre.** Les fiches non modifiées et les prises de courant appropriées réduisent le risque de choc électrique.
- **Éviter le contact physique avec des surfaces mises à la terre tels que tuyaux, radiateurs, fours et réfrigérateurs.** Il existe un risque accru de choc électrique si votre corps est relié à la terre.

- **Ne pas exposer l'outil électroportatif à la pluie ou à l'humidité.** La pénétration d'eau dans un outil électroportatif augmente le risque d'un choc électrique.
- **Ne pas utiliser le câble à d'autres fins que celles prévues, ne pas utiliser le câble pour porter l'outil électroportatif ou pour l'accrocher ou encore pour le débrancher de la prise de courant. Maintenir le câble éloigné des sources de chaleur, des parties grasses, des bords tranchants ou des parties de l'appareil en rotation.** Un câble endommagé ou torsadé augmente le risque d'un choc électrique.
- **Au cas où l'outil électroportatif serait utilisé à l'extérieur, utiliser une rallonge appropriée pour les applications extérieures.** L'utilisation d'une rallonge électrique appropriée pour les applications extérieures réduit le risque d'un choc électrique.
- **Si une utilisation de l'outil électroportatif dans un environnement humide ne peut pas être évitée, utiliser un disjoncteur différentiel.** Un disjoncteur différentiel réduit le risque d'un choc électrique.

#### SÉCURITÉ DES PERSONNES

- **Rester vigilant, surveiller ce que vous faites. Faire preuve de bon sens en utilisant l'outil électroportatif. Ne pas utiliser un outil électroportatif lorsqu'on est fatigué ou après avoir consommé de l'alcool, des drogues ou avoir pris des médicaments.** Un moment d'inattention lors de l'utilisation de l'outil électroportatif peut entraîner de graves blessures sur les personnes.
- **Porter des équipements de protection. Porter toujours des lunettes de protection.** Les équipements de sécurité tels que les masques contre les poussières, les chaussures de sécurité antidérapantes, les casques ou les protections acoustiques utilisés pour les conditions appropriées réduiront les blessures de personnes.
- **Éviter toute mise en service accidentelle. Assurez-vous que l'interrupteur est en position "arrêt" avant la connexion au secteur et/ou l'insertion de la batterie, ainsi qu'avant de saisir ou de transporter l'outil.** Le transport d'un outil électrique avec votre doigt sur l'interrupteur ou la mise sous tension d'un outil dont l'interrupteur est en position "marche" est propice aux accidents.
- **Enlever tout outil de réglage ou toute clé avant de mettre l'outil électroportatif en fonctionnement. Une clé ou un outil se trouvant sur une partie en rotation peut causer des blessures.** Le fait de porter l'outil électroportatif avec le doigt sur l'interrupteur ou de le brancher sur la source de courant lorsque l'outil électroportatif est en fonctionnement, peut entraîner des accidents.
- **Ne pas se précipiter. Garder une position et un équilibre adaptés à tout moment.** Cela permet un meilleur contrôle de l'outil dans des situations inattendues.
- **Porter des vêtements appropriés. Ne pas porter de vêtements amples ni de bijoux. Maintenir cheveux, vêtements et gants éloignés des parties de l'appareil en rotation.** Des vêtements amples, des bijoux ou des cheveux longs peuvent être happés par

EN  
FR  
DE  
ES  
IT  
NL  
PT  
DA  
SV  
FI  
NO  
RU  
PL  
CS  
HU  
RO  
LV  
LT  
ET  
HR  
SL  
SK  
BG  
UK  
TR



des pièces en mouvement.

- **Si des dispositifs servant à aspirer ou à recueillir les poussières doivent être utilisés, vérifier que ceux-ci soient effectivement raccordés et qu'ils soient correctement utilisés.** L'utilisation d'un dispositif d'aspiration des poussières peut réduire les dangers dus aux poussières.

#### UTILISATION ET EMPLOI SOIGNEUX D'OUTILS ÉLECTROPORTATIFS

- **Ne pas surcharger l'appareil. Utiliser l'outil électroportatif approprié au travail à effectuer.** Avec l'outil électroportatif approprié, vous travaillerez mieux et avec plus de sécurité à la vitesse pour laquelle il est prévu.
- **Ne pas utiliser un outil électroportatif dont l'interrupteur est défectueux.** Tout outil qui ne peut pas être commandé par l'interrupteur est dangereux et il faut le réparer.
- **Retirer la fiche de la prise de courant et/ou enlever l'accu avant d'effectuer des réglages sur l'appareil, de changer les accessoires, ou de ranger l'appareil.** Cette mesure de précaution empêche une mise en fonctionnement de l'outil électroportatif par mégarde.
- **Conserver les outils à l'arrêt hors de la portée des enfants et ne pas permettre à des personnes ne connaissant pas l'outil ou les présentes instructions de le faire fonctionner.** Les outils sont dangereux entre les mains d'utilisateurs novices.
- **Prendre soin de l'outil électroportatif. Vérifier que les parties en mouvement fonctionnent correctement et qu'elles ne soient pas coincées, et contrôler si des parties sont cassées ou endommagées de telle sorte que le bon fonctionnement de l'outil électroportatif s'en trouve entravé. Faire réparer ces parties endommagées avant d'utiliser l'appareil.** De nombreux accidents sont dus à des outils électroportatifs mal entretenus.
- **Maintenir les outils de coupe aiguisés et propres.** Des outils soigneusement entretenus avec des bords tranchants bien aiguisés se coincent moins souvent et peuvent être guidés plus facilement.
- **Utiliser l'outil, les accessoires et les lames etc., conformément à ces instructions, en tenant compte des conditions de travail et du travail à réaliser.** L'utilisation des outils électroportatifs à d'autres fins que celles prévues peut entraîner des situations dangereuses.

#### UTILISATION ET EMPLOI SOIGNEUX DES OUTILS ÉLECTROPORTATIFS SANS FIL

- **Ne charger les accumulateurs que dans des chargeurs recommandés par le fabricant.** Un chargeur approprié à un type spécifiquement prévu pour ceux-ci. L'utilisation de tout autre accumulateur peut entraîner des blessures et des risques d'incendie.
- **Dans les outils électroportatifs, n'utiliser que les accumulateurs spécialement prévus pour ceux-ci.** L'utilisation de tout autre accumulateur peut entraîner des blessures et des risques d'incendie.
- **Lorsqu'un bloc de batteries n'est pas utilisé, le**

**maintenir à l'écart de tout autre objet métallique, par exemple trombones, pièces de monnaie, clés, clous, vis ou autres objets de petite taille qui peuvent donner lieu à une connexion d'une borne à une autre.** Un court-circuit entre les contacts d'accu peut provoquer des brûlures ou un incendie.

- **En cas d'utilisation abusive, du liquide peut sortir de l'accumulateur. Éviter tout contact avec ce liquide. En cas de contact par mégarde, rincer soigneusement avec de l'eau. Au cas où le liquide rentrerait dans les yeux, consulter en plus un médecin.** Le liquide qui sort de l'accumulateur peut entraîner des irritations de la peau ou causer des brûlures.

#### TRAVAUX D'ENTRETIEN

- **Ne faire réparer l'outil électroportatif que par un personnel qualifié et seulement avec des pièces de rechange d'origine.** Cela assurera que la sécurité de l'outil est maintenue.

#### AVERTISSEMENTS DE SÉCURITÉ RELATIFS AU TAILLE-HAIES

- **Maintenez toutes les parties de votre corps éloignées de la lame de coupe. Ne tentez pas de retirer des matériaux coupés ou de maintenir un élément à couper lorsque les lames sont en mouvement. Assurez-vous que l'interrupteur est en position off (arrêt) lorsque vous enlevez les éléments responsables du blocage.** Un moment d'inattention lors de l'utilisation du produit peut provoquer de graves blessures.
- **Transportez le taille-haies par sa poignée avec les lames arrêtées. Mettez toujours le protège-lame en place lorsque vous transportez ou rangez le taille-haies.** Une manipulation correcte du taille-haies réduira les risques de blessures dues aux lames de coupe.
- **Ne tenez l'outil électrique que par ses surfaces de préhension isolées, car la lame de coupe est susceptible d'entrer en contact avec des câbles électriques cachés.** Des lames de coupe qui entreraient en contact avec un câble "sous tension" pourrait véhiculer cette tension électrique vers les parties métalliques de l'outil et exposer l'opérateur à une décharge électrique.

#### INSTRUCTIONS DE SÉCURITÉ ADDITIONNELLES

- La législation de certaines régions restreint l'utilisation du produit à certaines opérations. Contactez les autorités locales pour obtenir des conseils. Lisez toutes les instructions.
- Dégagez la zone de travail avant chaque utilisation. Retirez tous les objets tels que câbles, éléments d'éclairage, fils électriques ou ficelles qui pourraient se voir projetés ou s'emmêler dans les éléments de coupe.
- Vérifiez l'absence d'objets étrangers dans la haie, tels que les fils de clôture.
- Employer une prudence supplémentaire en cas d'utilisation du produit près de clôtures, de poteaux, de bâtiments ou d'autres objets fixes.





EN
<b>FR</b>
DE
ES
IT
NL
PT
DA
SV
FI
NO
RU
PL
CS
HU
RO
LV
LT
ET
HR
SL
SK
BG
UK
TR

- Prenez garde à la projection d'objets, gardez tout passant, enfant et animal éloigné d'au moins 15 m de l'aire de travail.
- Ne laissez pas des enfants ou des personnes inexpérimentées utiliser ce produit.
- N'utilisez pas cet outil dans une zone mal éclairée. L'opérateur doit avoir une bonne vue d'ensemble de la zone de travail pour identifier les dangers éventuels.
- Assurez-vous toujours que toutes les poignées et protections sont en place lorsque vous utilisez la machine. Ne tentez jamais d'utiliser un produit incomplet ou enclenché avec une modification non autorisée.
- Avant chaque utilisation assurez-vous que toutes les commandes et tous les organes de sécurité fonctionnent correctement. N'utilisez pas l'outil si son interrupteur "arrêt" est inopérant à arrêter le produit.
- Vérifiez la machine avant chaque utilisation. Vérifiez le bon serrage des attaches. Assurez-vous que toutes les protections et toutes les poignées sont bien en place et bien verrouillés. Remplacez toute pièce endommagée avant utilisation. Vérifiez l'absence de fuite du pack batterie.
- Ne modifiez pas le produit de quelque manière que ce soit.
- Portez une protection auditive et oculaire totale lorsque vous utilisez ce produit. Si vous travaillez dans une zone qui comporte des risques de chute d'objets, il est nécessaire que vous portiez un casque de chantier.
- Portez des pantalons longs et épais, des bottes et des gants. Ne portez pas de vêtements amples, de shorts ou de bijoux quels qu'ils soient, et ne travaillez pas pieds nus.
- Attachez les cheveux longs au-dessus du niveau des épaules afin d'éviter qu'ils ne se prennent dans les parties en mouvement.
- L'utilisation d'une protection auditive réduit la capacité à entendre les avertissements (cris ou alarmes). L'utilisateur doit redoubler d'attention par rapport aux événements survenant dans la zone de travail.
- L'utilisation d'outils similaires alentour augmente le risque d'atteinte à l'audition ainsi que le risque que d'autres personnes entrent dans la zone de travail.
- N'utilisez pas ce produit lorsque vous êtes fatigué, malade, ou sous l'influence de l'alcool, de drogues ou de médicaments.
- Gardez un bon appui et un bon équilibre. Ne pas se précipiter. Le travail en extension peut entraîner une perte d'équilibre et l'entrée en contact avec des surfaces chaudes.
- Maintenez toutes les parties de votre corps éloignées des parties en mouvement.
- Avant de mettre la machine en marche, assurez-vous que les lames de coupe ne sont en contact avec rien.
- Au cours de l'utilisation du taille-haies, tenez-le toujours fermement des deux mains à l'aide de ses deux poignées et assurez-vous que votre position de travail est sûre et stable. Le fabricant ne recommande pas l'utilisation d'escabeaux ou d'échelles. Si vous devez

tailler à une plus grande hauteur, utilisez un outil ayant une plus grande élévation.

- Les lames sont très coupantes. Lorsque vous manipulez les lames, portez des gants de protection solides et antidérapants. Ne mettez pas votre main ou vos doigts entre les lames ni à tout autre endroit où ils pourraient être pincés ou coupés. Ne touchez jamais la lame et n'effectuez aucune opération d'entretien sur l'appareil sans en avoir préalablement retiré le pack batterie.
- Arrêtez l'appareil et retirez le pack batterie avant de :
  - de régler la position de travail de l'élément de coupe
  - nettoyer ou dégager la cause d'un blocage
  - laisser le produit sans surveillance
  - travailler sur le produit, de le vérifier ou de l'entretenir
- Ne faites pas forcer le taille-haies dans les massifs épais. Les lames pourraient forcer et ralentir. Si les lames ralentissent, réduisez votre vitesse de progression.
- Ne tentez pas de couper des tiges ou des branchettes d'un diamètre supérieur à 18 mm (RHT1851R15, RHT1851R20, RHT1851R25, OHT1851R), 22 mm (RHT1855R40, OHT1855R), ou qui sont visiblement trop grosses pour pénétrer dans la lame. Coupez les grosses branches à l'aide d'une scie à main ou d'un élagueur.
- N'utilisez pas la machine si son dispositif de coupe est endommagé ou usé de façon excessive.

#### **⚠ AVERTISSEMENT**

Si le produit est tombé, a subi un choc important ou se met à vibrer de façon anormale, arrêtez-le immédiatement et recherchez les dommages éventuels ou identifiez la cause des vibrations. Toute pièce endommagée doit être correctement remplacée ou réparée par un service après-vente agréé.

#### **TRANSPORT ET STOCKAGE**

- Arrêtez le produit, retirez la batterie, et laissez-les refroidir avant de les ranger ou de les transporter.
- Débarrassez l'appareil de tous les corps étrangers. Rangez la en un endroit frais, sec et correctement ventilé, hors de portée des enfants. Pour plus de sécurité, rangez la batterie séparément du taille-haies. Ne la rangez pas à proximité d'agents corrosifs tels que produits chimiques de jardinage ou sels de dégel. Ne rangez pas à l'extérieur.
- Recouvrez la lame avec sa protection avant de ranger l'appareil, ou au cours de son transport.
- Pour le transport, attachez le produit pour l'empêcher de bouger ou de tomber, afin d'éviter toute blessure et tout dommage matériel.

#### **TRANSPORT DES BATTERIES AU LITHIUM**

Transportez les batteries en conformité avec les dispositions et règlements locaux et nationaux. Respectez tous les exigences légales particulières concernant l'emballage et l'étiquetage des batteries





lorsque vous confiez leur transport à un tiers. Assurez-vous qu'aucune batterie ne puisse entrer en contact avec une autre batterie ou avec des matériaux conducteurs lors de son transport en isolant les bornes électriques avec du ruban adhésif ou des capuchons isolants. Ne transportez pas une batterie qui serait fendue ou qui fuirait. Demandez conseil au transporteur pour de plus amples informations.

## ENTRETIEN

### AVERTISSEMENT

N'utilisez que des pièces détachées et accessoires d'origine constructeur. Le non respect de cette précaution peut entraîner de mauvaises performances, des blessures, et annuler votre garantie.

### AVERTISSEMENT

Les réparations demandent un soin et des connaissances extrêmes et ne doivent être effectuées que par un réparateur qualifié. Pour toute réparation, nous vous conseillons de retourner votre appareil à votre service après vente agréé le plus proche. N'utilisez que des pièces détachées identiques pour effectuer les réparations.

### AVERTISSEMENT

Les lames sont très affûtées. Pour éviter toute blessure, soyez extrêmement prudent lors des opérations de nettoyage, de lubrification, et lors de la mise en place et du retrait du protège-lame.

- Retirez la batterie avant tout réglage et toute opération d'entretien ou de nettoyage.
- Vous pouvez effectuer les réglages et réparations décrits dans ce manuel. Pour les autres réparations, contactez un service après-vente agréé.
- Après chaque utilisation, utilisez un chiffon propre et sec pour nettoyer le corps et les poignées du produit.
- Après chaque utilisation, retirez les débris des lames à l'aide d'une brosse dure, puis appliquez délicatement un lubrifiant antirouille avant de remettre en place le protège-lame. Le fabricant vous recommande de déposer une couche régulière d'un aérosol lubrifiant et antirouille sur les lames pour réduire les risques de vous blesser en entrant en contact avec ces lames. Pour obtenir des informations sur un aérosol adapté, contactez votre service après-vente agréé local.
- Vous pouvez également légèrement lubrifier les lames avant utilisation, au besoin, à l'aide de la méthode décrite ci-dessus.
- Vérifiez régulièrement le bon serrage des écrous, vis et boulons pour que le produit soit toujours en bon état de fonctionnement. Toute pièce endommagée doit être correctement remplacée ou réparée par un service après-vente agréé.

## RISQUES RÉSIDUELS

Même lorsque le produit est utilisé selon les prescriptions, il reste impossible d'éliminer totalement certains facteurs de risque résiduels. Les dangers suivants risquent de se présenter en cours d'utilisation et l'utilisateur doit prêter particulièrement garde à ce qui suit :

- blessures dues à l'entrée en contact avec les lames de coupe
  - L'entrée en contact avec les lames peut entraîner de graves blessures. Gardez la lame éloignée des autres personnes et de vous-même. Mettez en place le fourreau de protection des lames lorsque vous ne coupez pas.
- Blessures dues aux vibrations.
  - Utilisez toujours un outil adapté au travail à effectuer, servez-vous des poignées appropriées et limitez le temps de travail et d'exposition.
- Perte d'audition provoquée par l'exposition au bruit.
  - Portez une protection auditive et limitez le temps d'exposition.

## RÉDUCTION DES RISQUES

Il a été reporté que les vibrations engendrées par les outils à main peuvent contribuer à l'apparition d'un état appelé le Syndrome de Raynaud chez certaines personnes. Les symptômes peuvent comprendre des fourmillements, un engourdissement et un blanchiment des doigts, généralement par temps froid. Des facteurs héréditaires, l'exposition au froid et à l'humidité, le régime alimentaire, le tabagisme et les habitudes de travail peuvent contribuer au développement de ces symptômes. Certaines mesures peuvent être prises par l'utilisateur pour aider à réduire les effets des vibrations:

- Gardez votre corps au chaud par temps froid. Lorsque vous utilisez le produit, portez des gants afin de garder vos mains et vos poignets au chaud.
- Après chaque session de travail, pratiquez des exercices qui favorisent la circulation sanguine.
- Faites des pauses fréquentes. Limitez la quantité d'exposition journalière.

Si vous ressentez l'un des symptômes associés à ce syndrome, arrêtez immédiatement le travail et consultez votre médecin pour lui en faire part.

### AVERTISSEMENT

L'utilisation prolongée d'un outil est susceptible de provoquer ou d'aggraver des blessures. Assurez-vous de faire des pauses de façon régulière lorsque vous utilisez tout outil de façon prolongée.

## DESCRIPTION

Voir page 128.

### PIÈCES

1. Poignée arrière
2. Gâchette
3. Bouton de verrouillage de la rotation de la poignée
4. Poignée avant
5. Contacteur de présence de l'utilisateur



6. Écran de protection
7. Défecteur de débris HedgeSweep™
8. Lame
9. Protège-lame
10. Batterie
11. Bouton de verrouillage de la batterie
12. Chargeur

## SYMBOLES APPLIQUÉS SUR LE PRODUIT



Avertissement



Veillez lire attentivement le mode d'emploi avant de démarrer la machine.



Portez une protection auditive



Portez une protection oculaire



Tenez toujours le taille-haies des deux mains lorsque vous l'utilisez.



Portez des gants de protection solides et antidérapants.



Ne touchez pas les lames afin d'éviter toute blessure grave.



Ne pas exposer à la pluie ou à des conditions humides.



Prenez garde à la projection d'objets au sol et dans les airs. Gardez tous les passants, en particulier les enfants et les animaux, éloignés d'au moins 15 m de distance de la zone de travail.



Cet outil est conforme à l'ensemble des normes réglementaires du pays de l'UE où il a été acheté.



Marque de qualité EurAsian



Marque de conformité ukrainienne



Le niveau de puissance acoustique garanti indiqué sur cette étiquette est de 94 dB.



Les produits électriques hors d'usage ne doivent pas être jetés avec les ordures ménagères. Recyclez-les par l'intermédiaire des structures disponibles. Contactez les autorités locales pour vous renseigner sur les conditions de recyclage.

## SYMBOLES DE CE MANUEL



Pièces détachées et accessoires vendus séparément



Remarque



Avertissement

Les symboles suivants, et les noms qui leur sont associés, permettent d'expliquer les différents niveaux de risques liés à l'utilisation de cet outil.

### ⚠ DANGER

Situation potentiellement dangereuse qui, si l'on n'y prend garde, peut entraîner la mort ou des blessures graves.

### ⚠ AVERTISSEMENT

Situation potentiellement dangereuse qui, si l'on n'y prend garde, peut entraîner la mort ou des blessures graves.

### ⚠ MISE EN GARDE

Situation potentiellement dangereuse qui, si l'on n'y prend garde, peut entraîner des blessures moyennes ou légères.

### MISE EN GARDE

Sans symbole d'alerte de sécurité

Indique une situation pouvant entraîner des dommages matériels.

Sicherheit, Leistung und Zuverlässigkeit hatten oberste Priorität bei der Entwicklung Ihrer Akku-Heckenschere.

### BESTIMMUNGSGEMÄSSE VERWENDUNG

Die Akku-Heckenschere ist nur zum Einsatz im Freien vorgesehen. Aus Sicherheitsgründen muss das Produkt durch die Benutzung immer mit beiden Händen immer ausreichend kontrolliert werden.

Dieses Produkt wurde für den Hausgebrauch entwickelt. Es ist vorgesehen um Hecken, Büsche und ähnliche Pflanzen zu schneiden.

Es darf nur in trockener, gut beleuchteter Umgebung benutzt werden.

Es ist nicht vorgesehen um Gras, Bäume oder Äste zu schneiden. Es sollte für keine andere Aufgabe, als das Schneiden von Hecken benutzt werden.

### ALLGEMEINE SICHERHEITSHINWEISE FÜR ELEKTROWERKZEUGE

#### ⚠️ WARNUNG

**Lesen Sie alle Sicherheitshinweise und Anweisungen.** Versäumnisse bei der Einhaltung der Sicherheitshinweise und Anweisungen können elektrischen Schlag, Brand und/oder schwere Verletzungen verursachen. Bewahren Sie alle Sicherheitshinweise und Anweisungen für die Zukunft auf.

Der in den Sicherheitshinweisen verwendete Begriff „Elektrowerkzeug“ bezieht sich auf netzbetriebene Elektrowerkzeuge (mit Netzkabel) und auf akkubetriebene Elektrowerkzeuge (ohne Netzkabel).

### ARBEITSPLATZSICHERHEIT

- **Halten Sie Ihren Arbeitsbereich sauber und gut beleuchtet.** Unordnung oder unbeleuchtete Arbeitsbereiche können zu Unfällen führen.
- **Arbeiten Sie mit dem Elektrowerkzeug nicht in explosionsgefährdeter Umgebung, in der sich brennbare Flüssigkeiten, Gase oder Stäube befinden.** Elektrowerkzeuge erzeugen Funken, die den Staub oder die Dämpfe entzünden können.
- **Halten Sie Kinder und andere Personen während der Benutzung des Elektrowerkzeugs fern.** Bei Ablenkung können Sie die Kontrolle über das Gerät verlieren.

### ELEKTRISCHE SICHERHEIT

- **Der Anschlussstecker des Elektrowerkzeuges muss in die Steckdose passen. Der Stecker darf in keiner Weise verändert werden. Verwenden Sie keine Adapterstecker gemeinsam mit schutzgeerdeten Elektrowerkzeugen.** Unveränderte Stecker und passende Steckdosen verringern das Risiko eines elektrischen Schlages!
- **Vermeiden Sie Körperkontakt mit geerdeten Oberflächen wie von Rohren, Heizungen, Herden und Kühlschränken.** Es besteht ein erhöhtes Risiko

durch elektrischen Schlag, wenn Ihr Körper geerdet ist.

- **Halten Sie Elektrowerkzeuge von Regen oder Nässe fern.** Das Eindringen von Wasser in ein Elektrowerkzeug erhöht das Risiko eines elektrischen Schlages.
- **Zweckentfremden Sie das Kabel nicht, um das Elektrowerkzeug zu tragen, aufzuhängen oder um den Stecker aus der Steckdose zu ziehen. Halten Sie das Kabel fern von Hitze, Öl, scharfen Kanten, oder sich bewegenden Geräteteilen.** Beschädigte oder verwickelte Kabel erhöhen das Risiko eines elektrischen Schlages.
- **Wenn Sie mit einem Elektrowerkzeug im Freien arbeiten, verwenden Sie nur Verlängerungskabel, die auch für den Außenbereich geeignet sind.** Die Anwendung eines für den Außenbereich geeigneten Verlängerungskabels verringert das Risiko eines elektrischen Schlages.
- **Wenn der Betrieb des Elektrowerkzeuges in feuchter Umgebung nicht vermeidbar ist, verwenden Sie einen Fehlerstromschutzschalter.** Der Einsatz eines Fehlerstromschutzschalters vermindert das Risiko eines elektrischen Schlages.

### SICHERHEIT VON PERSONEN

- **Seien Sie aufmerksam, achten Sie darauf, was Sie tun und gehen Sie mit Vernunft an die Arbeit mit einem Elektrowerkzeug. Benutzen Sie kein Elektrowerkzeug, wenn Sie müde sind oder unter dem Einfluss von Drogen, Alkohol oder Medikamenten stehen.** Ein Moment der Unachtsamkeit beim Gebrauch des Elektrowerkzeuges kann zu ernsthaften Verletzungen führen.
- **Tragen Sie persönliche Schutzausrüstung und immer eine Schutzbrille.** Das Tragen persönlicher Schutzausrüstung, wie Staubmaske, rutschfeste Sicherheitsschuhe, Schutzhelm oder Gehörschutz, je nach Art und Einsatz des Elektrowerkzeuges, verringert das Risiko von Verletzungen.
- **Vermeiden Sie eine unbeabsichtigte Inbetriebnahme. Vergewissern Sie sich, dass das Elektrowerkzeug ausgeschaltet ist, bevor Sie es an die Stromversorgung und/oder den Akku anschließen, es aufnehmen oder tragen.** Wenn Sie beim Tragen des Elektrowerkzeugs den Fingern am Schalter haben oder das Gerät eingeschaltet an die Stromversorgung anschließen, kann dies zu Unfällen führen.
- **Entfernen Sie Einstellwerkzeuge oder Schraubenschlüssel, bevor Sie das Elektrowerkzeug einschalten.** Ein Werkzeug oder Schlüssel, der sich in einem drehenden Geräteteil befindet, kann zu Verletzungen führen.
- **Vermeiden Sie eine abnormale Körperhaltung. Sorgen Sie für einen sicheren Stand und halten Sie jederzeit das Gleichgewicht.** Dadurch können Sie das Elektrowerkzeug in unerwarteten Situationen besser kontrollieren.
- **Tragen Sie geeignete Kleidung. Tragen Sie keine locker sitzende Kleidung oder Schmuck. Halten Sie Haare, Kleidung und Handschuhe fern von sich**



**bewegenden Teilen.** Lockere Kleidung, Schmuck oder lange Haare können von sich bewegenden Teilen erfasst werden.

- **Wenn Staubabsaug- und -auffangeinrichtungen montiert werden können, vergewissern Sie sich, dass diese angeschlossen sind und richtig verwendet werden.** Verwendung einer Staubabsaugung kann Gefährdungen durch Staub verringern.

#### VERWENDUNG UND BEHANDLUNG DES ELEKTROWERKZEUGES

- **Überlasten Sie das Gerät nicht. Verwenden Sie für Ihre Arbeit das dafür bestimmte Elektrowerkzeug.** Mit dem passenden Elektrowerkzeug arbeiten Sie besser und sicherer im angegebenen Leistungsbereich.
- **Benutzen Sie kein Elektrowerkzeug, dessen Schalter defekt ist.** Ein Elektrowerkzeug, das sich nicht mehr ein- oder ausschalten lässt, ist gefährlich und muss repariert werden.
- **Ziehen Sie den Stecker aus der Steckdose und/oder entfernen Sie den Akku, bevor Sie Geräteeinstellungen vornehmen, Zubehörteile wechseln oder das Gerät weglegen.** Diese Vorsichtsmaßnahme verhindert den unbeabsichtigten Start des Elektrowerkzeuges.
- **Bewahren Sie unbenutzte Elektrowerkzeuge außerhalb der Reichweite von Kindern auf. Lassen Sie Personen das Gerät nicht benutzen, die mit diesem nicht vertraut sind oder diese Anweisungen nicht gelesen haben.** Elektrowerkzeuge sind gefährlich, wenn sie von unerfahrenen Personen benutzt werden
- **Pflegen Sie Elektrowerkzeuge mit Sorgfalt.** Kontrollieren Sie, ob bewegliche Teile einwandfrei funktionieren und nicht klemmen, ob Teile gebrochen oder so beschädigt sind, dass die Funktion des Elektrowerkzeuges beeinträchtigt ist. Lassen Sie beschädigte Teile vor dem Einsatz des Gerätes reparieren. Viele Unfälle haben ihre Ursache in schlecht gewarteten Elektrowerkzeugen.
- **Halten Sie Schneidwerkzeuge scharf und sauber.** Sorgfältig gepflegte Schneidwerkzeuge mit scharfen Schneidkanten verklemmen sich weniger und sind leichter zu führen.
- **Verwenden Sie Elektrowerkzeug, Zubehör, Einsatzwerkzeuge usw. entsprechend diesen Anweisungen.** Berücksichtigen Sie dabei die Arbeitsbedingungen und die auszuführende Tätigkeit. Der Gebrauch von Elektrowerkzeugen für andere als die vorgesehenen Anwendungen kann zu gefährlichen Situationen führen.

#### VERWENDUNG UND BEHANDLUNG DES AKKUWERKZEUGES

- **Laden Sie die Akkus nur in Ladegeräten auf, die vom Hersteller empfohlen werden.** Für ein Ladegerät, das für eine bestimmte Art von Akkus geeignet ist, besteht Brandgefahr, wenn es mit anderen Akkus verwendet wird.
- **Verwenden Sie nur die dafür vorgesehenen Akkus**

**in den Elektrowerkzeugen.** Der Gebrauch von anderen Akkus kann zu Verletzungen und Brandgefahr führen.

- **Halten Sie den nicht benutzten Akku fern von Büroklammern, Münzen, Schlüsseln, Nägeln, Schrauben oder anderen kleinen Metallgegenständen, die eine Überbrückung der Kontakte verursachen könnten.** Ein Kurzschluss zwischen den Akkukontakten kann Verbrennungen oder Feuer zur Folge haben.
- **Bei falscher Anwendung kann Flüssigkeit aus dem Akku austreten; vermeiden Sie den Kontakt damit. Bei zufälligem Kontakt mit Wasser abspülen. Wenn die Flüssigkeit in die Augen kommt, nehmen Sie zusätzlich ärztliche Hilfe in Anspruch.** Austretende Akkuflüssigkeit kann zu Hautreizungen oder Verbrennungen führen.

#### SERVICE

- **Lassen Sie Ihr Elektrowerkzeug nur von qualifiziertem Fachpersonal und nur mit Original-Ersatzteilen reparieren.** Damit wird sichergestellt, dass die Sicherheit des Elektrowerkzeugs erhalten bleibt.

#### SICHERHEITSHINWEISE FÜR HECKENSCHEREN

- **Halten Sie alle Körperteile von dem Schneidmesser fern. Versuchen Sie nicht, bei laufendem Messer Schnittgut zu entfernen oder zu schneidendes Material festzuhalten. Entfernen Sie bei eingeklemmtes Schnittgut nur bei ausgeschaltetem Gerät.** Ein Moment der Unachtsamkeit bei der Benutzung einer Heckenschere kann zu schweren Verletzungen führen.
- **Tragen Sie die Heckenschere am Griff bei stillstehendem Messer. Bei Transport oder Aufbewahrung der Heckenschere stets die Schutzabdeckung aufziehen.** Sorgfältiger Umgang mit dem Gerät verringert die Verletzungsgefahr durch das Messer.
- **Halten Sie das Elektrowerkzeug an den isolierten Griffflächen, da das Schneidmesser in Berührung mit verborgenen Stromleitungen kommen kann.** Der Kontakt des Schneidmessers mit einer spannungsführenden Leitung kann metallene Geräteteile unter Spannung setzen und zu einem elektrischen Schlag führen.

#### ZUSÄTZLICHE SICHERHEITSWARNUNGEN

- Einige Regionen können Vorschriften haben, die die Benutzung dieses Produktes auf bestimmte Tätigkeiten beschränken. Lassen Sie sich von Ihrer örtlichen Behörde beraten. Lesen Sie alle Anweisungen.
- Untersuchen Sie vor jeder Benutzung den Arbeitsbereich. Entfernen Sie alle Gegenstände, wie Kabel, Lampen, Draht oder Schnur, die geschleudert werden könnten oder in der Schneidvorrichtung verwickelt werden könnten.
- Überprüfen Sie die Hecke auf Fremdkörper, wie Drahtzäune.
- Seien Sie besonders vorsichtig wenn Sie in der

EN
FR
<b>DE</b>
ES
IT
NL
PT
DA
SV
FI
NO
PL
RU
CS
HU
RO
LV
LT
ET
HR
SL
SK
BG
UK
TR





Nähe von Zäunen, Pfählen, Gebäuden oder anderen unbeweglichen Objekten arbeiten.

- Achten Sie auf geschleuderte Gegenstände; halten Sie alle Zuschauer, Kinder und Haustiere mindestens 15 m von dem Arbeitsbereich fern.
- Erlauben Sie Kindern oder ungeschulten Personen nicht den Gebrauch des Produktes.
- Nicht bei schlechter Beleuchtung verwenden. Der Benutzer braucht einen ungehinderten Blick auf den Arbeitsbereich, um mögliche Gefahren zu erkennen.
- Vergewissern Sie sich beim Einsatz der Heckenschere immer, dass alle Griffe und Schutzvorrichtungen angebracht sind. Versuchen Sie niemals eine unvollständige, oder mit unautorisierten Modifikationen ausgestattete Heckenschere zu benutzen.
- Stellen Sie vor jeder Benutzung sicher, dass alle Bedienelemente und Sicherheitsvorrichtung ordnungsgemäß funktionieren. Benutzen Sie das Produkt nicht, wenn der "Aus" -Schalter den Motor nicht stoppt.
- Untersuchen Sie das Produkt vor jeder Benutzung. Überprüfen Sie auf lockere Verschlüsse. Stellen Sie sicher, dass alle Schutzvorrichtungen und Griffe ordnungsgemäß und sicher befestigt sind. Ersetzen Sie vor der Benutzung jegliche beschädigten Teile. Überprüfen Sie den Akku auf undichte Stellen.
- Verändern Sie das Produkt auf keine Weise.
- Tragen Sie bei Einsatz dieses Geräts vollen Augen- und Gehörschutz. Bei Arbeiten in Bereichen wo die Gefahr herabfallender Objekte besteht, muss Kopfschutz getragen werden.
- Tragen Sie lange, schwere Hosen, Stiefel und Handschuhe. Tragen Sie keine locker sitzende Kleidung, kurze Hosen und keinen Schmuck. Gehen Sie nicht barfuß.
- Binden Sie lange Haare zurück, so dass diese sich über Schulterhöhe befinden um zu verhindern, dass sie sich in beweglichen Teilen verfangen.
- Das Tragen von Gehörschutz verringert Ihre Fähigkeit Warnungen zu hören (Warnungen oder Zurufe). Der Benutzer muss dem, was im Arbeitsbereich vor sich geht ganz besondere Beachtung schenken.
- Der Betrieb ähnlicher Werkzeuge in der Umgebung erhöht das Risiko von Gehörschäden und die Wahrscheinlichkeit, dass andere Personen Ihren Arbeitsbereich betreten.
- Arbeiten Sie mit diesem Produkt nicht, wenn Sie müde oder krank sind, oder unter dem Einfluss von Alkohol, Drogen oder Medikamenten stehen.
- Sorgen Sie für einen sicheren Stand und halten Sie das Gleichgewicht. Vermeiden Sie eine abnormale Körperhaltung. Eine abnormale Körperhaltung kann zu einem Verlust des Gleichgewichts oder Kontakt mit heißen Oberflächen führen.
- Halten Sie alle Körperteile von den sich bewegenden Teilen fern.
- Vergewissern Sie sich vor dem Starten des Produkts, dass die Schneidwerkzeuge mit nichts in Kontakt geraten können.

- Halten Sie die Heckenschere bei der Benutzung immer fest mit beiden Händen an den beiden Griffen und stellen sicher, dass die Betriebsposition sicher und geschützt ist. Der Hersteller empfiehlt die Benutzung von Trittleitern oder Leitern nicht. Benutzen Sie ein Werkzeug mit Verlängerung, wenn Schneiden in größerer Höhe erforderlich ist.
- Schneidwerkzeuge sind scharf! Tragen Sie beim Umgang mit den Schneidwerkzeugen rutschfeste und schwere Schutzhandschuhe. Bringen Sie Hand oder Finger nicht zwischen das Schneidwerkzeug oder in eine Position, in der Sie gequetscht oder geschnitten werden könnten. Berühren Sie niemals das Schneidmesser oder warten das Gerät, außer der Akkupack wurde entfernt.
- Schalten Sie das Gerät aus und entfernen Sie den Akkupack, bevor Sie:
  - die Arbeitsposition des Schneidwerkzeugs einstellen;
  - reinigen oder eine Blockierung entfernen
  - das Produkt unbeaufsichtigt zurücklassen
  - das Produkt prüfen, warten oder daran arbeiten
- Führen Sie das Produkt nicht mit Gewalt durch dichtes Strauchwerk. Dies kann dazu führen, dass das Schneidwerkzeug blockieren und dadurch langsamer werden. Sollte die Schneidwerkzeuge langsamer werden, verringern Sie die Arbeitsgeschwindigkeit.
- Versuchen Sie nicht, Äste oder Zweige mit einem Durchmesser von mehr als 18mm (RHT1851R15, RHT1851R20, RHT1851R25, OHT1851R), 22 mm (RHT1855R40, OHT1855R) zu schneiden, oder Äste oder Zweige zu schneiden, die offensichtlich zu groß sind, um zwischen die Schneidwerkzeuge zu passen. Verwenden Sie eine Hand- oder Astsäge ohne Motor, um größere Äste und Stämme zu schneiden.
- Betreiben Sie das Produkt nicht mit beschädigtem oder übermäßig abgenutztem Schneidwerkzeug.

#### **WARNUNG**

Wenn das Produkt fallen gelassen wurde oder einen schweren Schlag erhielt oder anfängt, ungewöhnlich zu vibrieren, stoppen Sie das Produkt sofort und überprüfen es auf Schäden oder identifizieren Sie die Ursache der Vibration. Jeder Schaden sollte durch den autorisierten Kundendienst ordnungsgemäß repariert oder ausgetauscht werden.

#### **TRANSPORT UND LAGERUNG**

- Stoppen Sie das Produkt, entfernen Sie den Akku und lassen es abkühlen, bevor Sie sie es lagern oder transportieren.
- Entfernen Sie alle Fremdkörper vom Produkt. Lagern Sie das Gerät an einem kühlen, trockenen und gut belüfteten Ort, der Kindern keinen Zugang bietet. Lagern Sie den Akku für zusätzliche Sicherheit getrennt von der Heckenschere. Von korrodierend wirkenden Stoffen, wie Gartenchemikalien und Enteisungssalzen, fernhalten. Nicht im Freien lagern.



- Decken Sie das Schneidwerkzeug mit der Schutzabdeckung ab, bevor Sie das Produkt lagern oder während des Transports.
- Sichern Sie das Produkt beim Transport in einem Fahrzeug gegen Bewegung oder Herunterfallen, um Verletzungen und Beschädigung des Produkts zu verhindern.

**TRANSPORT VON LITHIUM-IONEN-AKKUS**

Transportieren Sie Akkus gemäß Ihren örtlichen und nationalen Bestimmungen und Regeln.

Befolgen Sie alle besonderen Anforderungen für Verpackung und Beschriftung, wenn Sie Akkus von Dritten transportieren lassen. Stellen Sie sicher, dass beim Transport kein Akku in Kontakt mit anderen Akkus oder leitenden Materialien kommt, indem Sie die freien Anschlüsse mit Isolierband, nichtleitenden Kappen oder Kleband schützen. Beschädigte oder auslaufende Akkus dürfen nicht transportiert werden. Befragen Sie Ihre Transportfirma nach weiteren Informationen.

**WARTUNG**

**⚠️ WARNUNG**

Verwenden Sie ausschließlich original Ersatzteile, Zubehör und Aufsätze des Herstellers. Nichtbefolgung kann mögliche Verletzungen oder schlechte Leistung verursachen und Ihre Garantie ungültig machen.

**⚠️ WARNUNG**

Service und Wartung des Gerätes erfordert besonderen Sorgfalt und Kenntnisstand und sollte nur durch qualifiziertes Personal durchgeführt werden. Für Wartung und Reparaturen müssen Sie das Produkt zu Ihrem nächsten autorisierten Kundendienst bringen. Beim Service sollten Sie nur originale Ersatzteile benutzen.

**⚠️ WARNUNG**

Die Schneidwerkzeuge sind scharf. Seien Sie bei der Reinigung, dem Ölen und Anbringen oder Entfernen der Schutzabdeckung extrem vorsichtig, um Verletzungen zu vermeiden.

- Entfernen Sie vor Einstellungen, Wartung oder Reinigung den Akku.
- Sie dürfen die in dieser Bedienungsanleitung beschriebenen Einstellungen und Reparaturen durchführen. Kontaktieren Sie Ihren autorisierten Kundendienst für andere Reparaturen.
- Reinigen Sie das Gehäuse und die Griffe nach jeder Benutzung des Produktes mit einem weichen, trockenen Lappen.
- Reinigen Sie nach jeder Benutzung das Schneidwerkzeug von Schmutz mit einer harten Bürste und tragen dann vorsichtig ein Öl als Rostschutz auf, bevor Sie die Schutzabdeckung wieder anbringen.

Benutzen Sie das empfohlene Spray als Rostschutz und zum Ölen, um eine gleichmäßige Verteilung zu gewährleisten und die Gefahr einer Verletzung durch Berührung des Schneidwerkzeugs zu verringern. Fragen Sie Ihren autorisierten Kundendienst nach ein geeignetes Spray-Produkt.

- Sie können die Schneidwerkzeuge vor jeder Benutzung auf die oben genannte Weise leicht einölen.
- Überprüfen Sie Bolzen, Muttern und Schrauben in regelmäßigen Abständen, ob sie alle fest angezogen sind, um somit sicherzustellen, dass das Produkt in einem sicheren Zustand ist. Jedes beschädigte Teil sollte durch den autorisierten Kundendienst ordnungsgemäß repariert oder ausgetauscht werden.

**RESTRISIKEN**

Sogar wenn das Produkt wie vorgeschrieben benutzt wird, ist es unmöglich ein gewisses Restrisiko vollständig zu beseitigen. Die folgenden Gefahren können bei der Benutzung entstehen, und der Benutzer sollte besonders auf folgende Punkte achten:

- Durch Kontakt mit dem Schneidwerkzeug verursachte Verletzung
  - Kontakt mit dem Schneidwerkzeug kann schwere Verletzungen verursachen. Halten Sie die Schneidwerkzeuge fern von Ihnen und anderen. Setzen Sie immer die Schutzabdeckung auf, wenn das Produkt nicht benutzt wird.
- Durch Vibrationen verursachte Verletzungen.
  - Benutzen Sie immer das richtige Werkzeug für die Aufgabe; benutzen Sie die vorgesehenen Griffe und schränken die Arbeitszeit und Exposition ein.
- Lärm kann zu Gehörschaden führen.
  - Tragen Sie einen Gehörschutz und schränken Sie die Belastung ein.

**RISIKOVERRINGERUNG**

Vibrationen von in der Hand gehaltenen Werkzeugen können bei einigen Personen zu einem Zustand, der Raynaud-Syndrom genannt wird, führen. Symptome sind u.a. Kribbeln, Taubheitsgefühl und episodische Weißfärbung der Finger und treten normalerweise bei Kälte auf. Man geht davon aus, dass ererbte Faktoren, Kälte und Feuchtigkeit, Essgewohnheiten, Rauchen und Arbeitsweise zur Entwicklung dieser Symptome beitragen. Der Anwender kann Maßnahmen ergreifen, um die Auswirkungen der Vibrationen möglicherweise zu verringern:

- Halten Sie den Körper bei Kälte warm. Tragen Sie beim Betrieb des Produkts Handschuhe, um Hände und Handgelenke warm zu halten.
- Betätigen Sie sich nach jedem Einsatz körperlich, um den Blutkreislauf zu steigern.
- Machen Sie regelmäßig Pausen. Beschränken Sie die Beanspruchung pro Tag.

Sollten bei Ihnen Symptome dieses Zustands auftreten, stellen Sie unverzüglich den Betrieb ein und suchen Sie in Hinsicht auf die Symptome einen Arzt auf.

## ⚠️ WARNUNG

Verletzungen können durch lange Benutzung eines Werkzeugs entstehen oder verschlimmert werden. Machen Sie regelmäßig Pause, wenn Sie ein Werkzeug für lange Zeit benutzen.

## BESCHREIBUNG

Siehe Seite 128.

## TEILE

1. Hinterer Haltegriff
2. Ein-/Ausschalter
3. Verriegelungsknopf drehbarer Handgriff
4. Vorderer Haltegriff
5. Bedieneranwesenheitsschalter
6. Schutzvorrichtung
7. HedgeSweep™ Schnittgut-Kehrer
8. Sägeblatt
9. Schutzabdeckung
10. Akku
11. Knopf der Akkulasche
12. Ladegerät

## SYMBOLE AUF DEM PRODUKT



Sicherheitswarnung



Bitte lesen Sie die Anweisungen sorgfältig, bevor Sie das Gerät einschalten.



Tragen Sie einen Gehörschutz



Tragen Sie einen Augenschutz



Halten Sie die Heckenschere beim Betrieb immer mit beiden Händen.



Tragen Sie rutschfeste, schwere Schutzhandschuhe.



Berühren Sie zur Vermeidung von Verletzungen nicht die Schneidmesser.



Nicht Regen oder feuchten Bedingungen aussetzen.



Achten Sie auf geschleuderte oder fliegende Objekte. Halten Sie alle Zuschauer, besonders Kinder und Haustiere, mindestens 15 m von dem Arbeitsbereich fern.



Dieses Gerät entspricht allen gesetzlichen Normen des Landes der Europäischen Union, in dem es gekauft wurde.



EurAsian Konformitätszeichen



Ukrainisches Prüfzeichen



Der auf diesem Etikett angegebene garantierte Schalldruckpegel beträgt 94 dB.



Elektrische Geräte sollten nicht mit dem übrigen Müll entsorgt werden. Bitte entsorgen Sie diese an den entsprechenden Entsorgungsstellen. Wenden Sie sich an die örtliche Behörde oder Ihren Händler, um Auskunft über die Entsorgung zu erhalten.

## SYMBOLE IN DIESER BETRIEBSANLEITUNG



Teile oder Zubehör getrennt erhältlich



Hinweis



Warnung

Mit den folgenden Symbolen wird die Bedeutung der verschiedenen Risikostufen, die mit dem Produkt einhergehen, dargestellt.

### ⚠️ GEFAHR

Weist auf eine unmittelbare gefährliche Situation hin, die, falls nicht vermieden, zu Tod oder ernsthafter Verletzung führen kann.

### ⚠️ WARNUNG

Weist auf eine mögliche gefährliche Situation hin, die, falls nicht vermieden, zu Tod oder ernsthafter Verletzung führen kann.

### ⚠️ VORSICHT

Weist auf eine mögliche gefährliche Situation hin, die, falls nicht vermieden, zu einer leichten oder mittleren Verletzung führen kann.

### VORSICHT

Ohne Sicherheitswarnsymbol

Weist auf eine Situation hin, die zu Sachbeschädigungen führen kann.



Seguridad, desempeño y fiabilidad han sido las prioridades en el diseño de su cortasetos inalámbrico.

### USO PREVISTO

Este producto sólo está destinado para usar al aire libre. Por razones de seguridad, es necesario controlar el producto correctamente utilizando las dos manos.

El producto está diseñado para uso doméstico. Está diseñada para cortar y recortar setos, arbustos y vegetación similar.

Debe utilizarse en un lugar seco y bien iluminado.

NO está diseñada para cortar el césped, árboles o ramas. No debe utilizarse para un propósito diferente a cortar setos.

### ADVERTENCIAS GENERALES DE SEGURIDAD DE LA HERRAMIENTA ELÉCTRICA

#### ⚠ ADVERTENCIA

**Lea todas las advertencias de peligro e instrucciones.** El incumplimiento de las advertencias e instrucciones puede provocar descargas eléctricas, incendios y/o lesiones graves. Conserve estas advertencias e instrucciones para poder consultarlas posteriormente.

El término "herramienta eléctrica" que aparece en las advertencias se refiere a su herramienta eléctrica (con cable) o con batería (sin cables).

### ZONA DE TRABAJO

- **Mantenga el área de trabajo limpia y bien iluminada.** Las zonas oscuras o poco despejadas pueden provocar accidentes.
- **No utilice herramientas eléctricas en entornos inflamables, como puede ser en presencia de líquidos inflamables, gases o polvo.** Las herramientas eléctricas crean chispas que pueden inflamar el polvo o el humo.
- **Mantenga a los niños y personas ajenas alejadas de la zona en la que está utilizando la herramienta eléctrica.** Las distracciones pueden hacer que pierda el control de la herramienta.

### SEGURIDAD ELÉCTRICA

- **Las conexiones de la herramienta eléctrica deben corresponder a los de la toma de corriente. No modifique el enchufe de ninguna manera. No utilice ningún adaptador con herramientas eléctricas conectadas a tierra.** Utilizar enchufes sin modificar y tomas correspondientes reducirán el riesgo de descargas eléctricas.
- **Evite el contacto corporal con superficies conectadas a tierra, como tuberías, radiadores, estufas y refrigeradores.** Existe un mayor riesgo de descargas eléctricas si su cuerpo está conectado a tierra.
- **No exponga este producto a la lluvia o humedad.** Si entra agua en una herramienta eléctrica podría aumentar el riesgo de descargas eléctricas.

- **Utilice correctamente el cable. No utilice el cable para llevar, tirar o desconectar el cable de la herramienta. Mantenga el cable lejos del calor, aceite, bordes afilados o partes móviles.** Los cables dañados o enredados aumentan el riesgo de descargas eléctricas.
- **A la hora de utilizar herramientas eléctricas al aire libre, utilice un alargador adecuado para uso en exteriores.** El uso de un cable adecuado para uso en exteriores reduce el riesgo de descargas eléctricas.
- **Si es inevitable utilizar una herramienta eléctrica en un lugar húmedo, utilice un dispositivo de corriente residual (RCD) como protección.** El uso de un RCD reduce el riesgo de descargas eléctricas.

### SEGURIDAD PERSONAL

- **Manténgase alerta y atento a lo que está haciendo y utilice el sentido común al utilizar una herramienta eléctrica. No utilice una herramienta eléctrica cuando esté cansado o bajo la influencia de drogas, alcohol o medicamentos.** En un momento de descuido, mientras utiliza herramientas eléctricas podrían ocurrir lesiones personales graves.
- **Utilice un equipo de protección personal. Utilice siempre dispositivos de protección ocular.** El equipo de protección como las máscaras de polvo, calzado antideslizante de seguridad, cascos rígidos o unas condiciones adecuadas reducirán los daños corporales.
- **Evite la puesta en marcha accidental de la herramienta. Asegúrese de que el interruptor está en posición OFF antes de conectar la herramienta a una toma de corriente y/o batería, y levantar o transportar la herramienta.** El transporte de herramientas con el dedo sobre el interruptor o la conexión de herramientas eléctricas con el interruptor en ON puede causar accidentes.
- **Extraiga cualquier llave de ajuste antes de encender la herramienta eléctrica.** Una llave que se encuentra conectada a una pieza de rotación puede resultar en lesiones personales.
- **No se extienda demasiado. Afírmese bien en sus piernas y no extienda demasiado el brazo.** Esto permite un mejor control de la herramienta eléctrica en situaciones inesperadas.
- **Lleve ropa adecuada. No use ropa holgada o joyas. Mantenga su cabello, ropa y guantes lejos de las piezas móviles.** La ropa suelta, joyas o el cabello largo pueden quedar atrapados en las piezas móviles.
- **Si existen dispositivos para la conexión de accesorios de recogida y extracción de polvo, asegúrese de que están conectados y que se utilizan adecuadamente.** El uso de accesorios de recogida de polvo puede reducir riesgos relacionados con el polvo.

### USO Y CUIDADO DE LA HERRAMIENTA ELÉCTRICA

- **No fuerce el producto. Utilice la herramienta correcta para su aplicación.** La herramienta correcta hará un trabajo más seguro y mejor para el que ha sido diseñada.



- **No utilice la herramienta eléctrica si el interruptor de encendido no responde.** Cualquier herramienta que no puede ser controlada con el interruptor de encendido es peligrosa y debe ser reparada.
- **Desconecte el enchufe de la fuente de alimentación y/o extraiga la batería de la herramienta eléctrica antes de hacer cualquier ajuste, cambiar accesorios o almacenar herramientas eléctricas.** Estas medidas preventivas de seguridad reducen el riesgo de arranque accidental de la herramienta.
- **Coloque las herramientas eléctricas a ralentí fuera del alcance de los niños y no permita que personas no familiarizadas con la herramienta o con estas instrucciones la utilicen.** Las herramientas eléctricas son peligrosas en manos de personas no capacitadas.
- **Realice labores de mantenimiento de las herramientas eléctricas. Compruebe la alineación o unión de las piezas móviles, si existe rotura de piezas o cualquier otro problema que pueda afectar al funcionamiento de la herramienta. Si alguna pieza está dañada, la herramienta eléctrica debería repararse antes de volver a utilizarla.** Muchos accidentes son causados por un mantenimiento deficiente.
- **Mantenga las herramientas de corte bien afiladas y limpias.** Las herramientas de corte con bordes de corte afilados que tienen un mantenimiento adecuado reducen su deterioro y son más fáciles de controlar.
- **Utilice la herramienta, accesorios, partes eléctricas, etc., de acuerdo con estas instrucciones, teniendo en cuenta las condiciones de trabajo y el trabajo que se va a realizar.** Utilizar la herramienta eléctrica para realizar trabajos diferentes a los que esta herramienta está destinada podría dar como resultado una situación peligrosa.

#### USO Y CUIDADO DE LA HERRAMIENTA

- **Recargue la unidad solamente con el cargador especificado por el fabricante.** Podría haber un riesgo de incendio cuando se utilice un cargador con una batería para la que no está diseñado.
- **Utilice sólo herramientas eléctricas específicamente diseñadas para ellos.** Utilizar cualquier otro tipo de baterías puede causar lesiones o un riesgo de incendio.
- **Cuando la batería no está en uso, manténgala alejada de otros objetos metálicos como clips, monedas, llaves, clavos, tornillos u otros objetos metálicos pequeños que puedan crear una conexión desde una terminal a otra.** Causar un cortocircuito en los terminales de la batería puede causar quemaduras o un incendio.
- **En condiciones abusivas, podría salir expulsado líquido de la batería, por lo que debería evitar el contacto con éste. Si se produce un contacto accidental, enjuáguese las manos con agua. Si el líquido entra en contacto con los ojos, acuda inmediatamente al médico.** Si el líquido es expulsado de la batería y entra en contacto con él, podría causar irritación o quemaduras.

#### MANTENIMIENTO

- **Su herramienta eléctrica debería ser reparada por personas cualificadas, que deberían utilizar únicamente piezas de repuesto idénticas.** Esto garantizará la seguridad a la hora de utilizar la herramienta eléctrica.

#### ADVERTENCIAS DE SEGURIDAD DEL CORTASETOS

- **Mantenga todas las partes del cuerpo alejadas de la cuchilla. No extraiga material de corte ni sujete el material que va a cortar cuando las cuchillas estén en movimiento. Asegúrese de que el interruptor está apagado cuando limpie cualquier material atascado.** En un momento de descuido, mientras utiliza el producto podrían ocurrir lesiones personales graves.
- **Lleve el cortasetos por el mango con la cuchilla de corte parada. Al transportar o almacenar el cortasetos, coloque siempre la tapa del dispositivo de corte.** El manejo adecuado del cortasetos reducirá posibles lesiones personales debido a las cuchillas.
- **Sujete la herramienta solo por el mango aislado, ya que la cuchilla de corte puede estar en contacto con cables ocultos.** Las cuchillas en contacto con un cable con corriente pueden dejar expuestas las partes metálicas de la herramienta conectada, lo que podría provocar una descarga eléctrica al operario.

#### AVISOS DE SEGURIDAD ADICIONALES

- Algunas regiones tienen normativas que restringen el uso del producto para algunas operaciones. Consulte con su autoridad local para obtener información. Lea todas las instrucciones.
- Limpie el área de trabajo antes de cada uso. Retire todos los objetos, cables, luces, alambres o cadenas que puedan lanzar o engancharse en las partes cortantes.
- Compruebe que no hay objetos extraños en el seto, como alambradas.
- Tenga especial cuidado al usar el producto cerca de vallados, postes, edificios u otros objetos inamovibles.
- Tenga cuidado con los objetos que salen despedidos; mantenga a todos los transeúntes, niños y animales alejados al menos 15 m de la zona de trabajo.
- No permita que niños o individuos sin experiencia utilicen este producto.
- No trabaje con esta herramienta en una zona mal iluminada. El operador debe tener una visión clara de la zona de trabajo para identificar peligros potenciales.
- Asegúrese siempre de que todas las protecciones y mangos estén correctamente acoplados en el equipo. Nunca intente utilizar un producto incompleto o uno equipado con una modificación no autorizada.
- Antes de cada uso, asegúrese de que todos los controles y dispositivos de seguridad funcionan correctamente. No utilice la herramienta si el interruptor "off" no para el aparato.
- Inspeccione la máquina antes de cada uso. Revise





si hay fijaciones sueltas. Asegúrese de que todas las protecciones y mangos están unidos de forma correcta y segura. Sustituya cualquier pieza dañificada antes de su utilización. Compruebe si hay fugas en la batería.

- No modifique el producto en modo alguno.
- Use gafas de protección total para los ojos y oídos al utilizar este producto. Si trabaja en un área donde existe un riesgo de caída de objetos, deberá utilizar casco.
- Use guantes, botas y pantalones resistentes. No utilice ropa ancha, pantalones cortos, joyas ni lo utilice con los pies descalzos.
- Recoja el cabello largo para que quede por encima del nivel de los hombros y evitar así que se enmarañe en cualquier pieza móvil.
- El uso de dispositivos de protección auditiva reducirá su capacidad para oír posibles advertencias (gritos o alarmas). El operador debe prestar atención extra a lo que está sucediendo en el área de trabajo.
- Utilizar herramientas similares a poca distancia aumenta tanto el riesgo de lesión auditiva como el riesgo potencial de que otras personas accedan a su área de trabajo.
- No utilice este producto si está cansado o si se encuentra bajo la influencia de drogas, alcohol o medicamentos.
- Mantenga su pisada firme y su equilibrio. No se extienda demasiado. Al estirarse para alcanzar algo, puede perder el equilibrio o exponerse a superficies calientes.
- Mantenga las piezas en movimiento alejadas de su cuerpo.
- Antes de arrancar la máquina, asegúrese de que las hojas de corte no entran en contacto con ningún objeto.
- Cuando manipule un cortasetos, sujételo firmemente con ambas manos mediante los dos asas y asegúrese de que la posición de funcionamiento sea segura. El fabricante no recomienda el uso de escalones o escaleras. Si hay que recortar desde una posición más alta, utilice una herramienta de alcance extensible.
- Las cuchillas son afiladas. Al utilizar el conjunto de cuchillas, utilice guantes de protección resistentes y antideslizantes. No coloque la mano o los dedos entre las cuchillas o en cualquier posición en la que pueda cortarse o pincharse. No toque la cuchilla ni realice operaciones de servicio a la unidad a menos que haya retirado la batería.
- Apague y retire la batería antes de:
  - ajuste de la posición de trabajo del dispositivo de corte
  - limpieza y desobstrucción de bloqueo
  - dejar el producto desatendido
  - inspeccionar, mantener o trabajar con el producto
- No fuerce el cortasetos al cortar zonas de arbustos duros. Esto puede hacer que las cuchillas se doblen y se ralenticen. Si las cuchillas se ralenticen, reduzca el ritmo de corte.
- No intente cortar tallos o ramas de más de 18 mm (RHT1851R15, RHT1851R20, RHT1851R25,

OHT1851R), 22 mm (RHT1855R40, OHT1855R) de grosor, o los que, obviamente, sean demasiado grandes para la cuchilla de corte. Utilice una sierra de mano no motorizada o una sierra escamondadora para podar tallos largos.

- No utilice la máquina con un dispositivo de corte dañado o excesivamente desgastado.

#### ⚠ ADVERTENCIA

Si el aparato se cae, sufre un impacto fuerte o empieza a vibrar de manera anormal, párelo inmediatamente y compruebe si está dañado o identifique el motivo de la vibración. La reparación de daños y la sustitución de piezas deben ser realizadas por un centro de servicio autorizado.

#### TRANSPORTE Y ALMACENAMIENTO

- Detenga el producto, retire la batería y deje que ambos se enfríen antes de guardarlos o transportarlos.
- Limpie todo el material extraño que pueda permanecer en el producto. Guarde en una zona seca y bien ventilada, a la que no puedan acceder los niños. Para mayor seguridad, guarde la batería y el cortasetos por separado. Evite el contacto con agentes corrosivos tales como productos químicos de jardinería o sales descongelantes. No almacenar al aire libre.
- Cubra la lámina con la debida protección antes de guardarla, o durante el transporte de la misma.
- Para transportar el producto, sujételo de modo que no se mueva ni se caiga para evitar lesiones personales o daños al producto.

#### TRANSPORTE DE BATERÍAS DE LITO

Transporte de baterías de acuerdo con las disposiciones y reglamentos nacionales y locales.

Cumpla todos los requisitos especiales relativos al embalaje y etiquetado cuando el transporte de baterías se lleve a cabo por un tercero. Asegúrese de que, durante el transporte, las baterías no entran en contacto con otras baterías o materiales conductores protegiendo los conectores expuestos con tapones o tapas aislantes de material no conductor. No transporte baterías que tengan grietas o fugas. Consulte a la empresa de transporte para obtener más asesoramiento.

#### MANTENIMIENTO

#### ⚠ ADVERTENCIA

Utilice sólo piezas y accesorios de recambio originales del fabricante. Si no lo hace podría ocurrir un mal funcionamiento, podrían producirse daños o podría quedar anulada la garantía.

EN  
FR  
DE  
ES  
IT  
NL  
PT  
DA  
SV  
FI  
NO  
RU  
PL  
CS  
HU  
RO  
LV  
LT  
ET  
HR  
SL  
SK  
BG  
UK  
TR



### ⚠ ADVERTENCIA

Las reparaciones requieren tener mucho cuidado y conocimiento y sólo debe realizarse por un técnico de servicio calificado. Para obtener servicio, le sugerimos que devuelva el producto al centro de servicio autorizado más cercano para reparación. Al realizar una reparación, sólo use piezas de reemplazo idénticas.

### ⚠ ADVERTENCIA

Las cuchillas están afiladas. Para evitar lesiones físicas, tenga mucho cuidado al limpiar, lubricar y montar o desmontar el protector de la cuchilla.

- Extraiga la batería antes de realizar operaciones de ajuste, mantenimiento o limpieza.
- Usted puede realizar los ajustes y reparaciones descritos en este manual del usuario. Para otro tipo de reparaciones póngase en contacto con un agente de servicios autorizado.
- Después de cada uso, limpie la estructura y los mangos del aparato con un paño seco y suave.
- Después de cada uso, limpie los restos de las láminas con un cepillo duro y, a continuación, aplique cuidadosamente un lubricante que prevenga el óxido antes de volver a colocar el protector de la lámina. El fabricante recomienda usar un pulverizador lubricante y preventivo del óxido, aplicándolo de forma uniforme y reducir así el riesgo de lesiones debido al contacto con las cuchillas. Para más información sobre el producto pulverizador apropiado, consulte a su centro de asistencia autorizado local.
- Podría lubricar las láminas ligeramente antes de usar el aparato, si fuera necesario, aplicando el método anterior.
- Verifique a intervalos frecuentes si todas las tuercas, pernos y tornillos están apretados apropiadamente para asegurarse de que el producto esté en buenas condiciones de trabajo. Cualquier pieza dañada debe ser sustituida o reparada adecuadamente por un centro de servicio autorizado.

### RIESGOS RESIDUALES:

Incluso cuando se utiliza el producto según las instrucciones, sigue siendo imposible eliminar por completo ciertos factores de riesgo residuales. Los siguientes peligros pueden surgir en el uso y el operador debe prestar especial atención para evitar lo siguiente:

- daño producido por contacto con las cuchillas
  - El contacto con las cuchillas puede causar lesiones graves. Mantenga la cuchilla alejada de usted mismo y de los demás. Cúbrelas con el protector de cuchillas siempre que no esté cortando.
- Lesiones por vibración.
  - Utilice siempre la herramienta adecuada para el trabajo, utilice los mangos pertinentes y limite el tiempo de trabajo y de exposición.
- Daños auditivos causados por la exposición al ruido.
  - Use protección para los oídos y limite el tiempo de exposición.

### REDUCCIÓN DEL RIESGO

Se ha informado de que las vibraciones de las herramientas de mano puede contribuir a una condición llamada síndrome de Raynaud en ciertos individuos. Los síntomas pueden incluir hormigueo, entorpecimiento y decoloración de los dedos, generalmente aparentes cuando tiene lugar una exposición al frío. Se considera que los factores hereditarios, exposición al frío y a la humedad, dieta, tabaquismo y prácticas de trabajo contribuyen al desarrollo de estos síntomas. Existen medidas que pueden ser tomadas por el operador para reducir los efectos de vibración:

- Mantenga su cuerpo caliente durante el tiempo frío. Al manipular el producto, utilice guantes para mantener las manos y las muñecas calientes.
- Después de cada período de funcionamiento, realice ejercicios para aumentar la circulación sanguínea.
- Haga pausas de trabajo frecuentes. Limite la cantidad de exposición por día.

Si siente alguno de los síntomas de esta enfermedad, interrumpa inmediatamente el uso y consulte a su médico estos síntomas.

### ⚠ ADVERTENCIA

El uso prolongado de una herramienta puede causar o agravar lesiones. Al utilizar cualquier herramienta durante períodos prolongados asegúrese de tomar descansos regulares.

### DESCRIPCIÓN

Véase la página 128.

### PIEZAS

1. Mango trasero
2. Gatillo
3. Botón de bloqueo de rotación del mango
4. Mango delantero
5. Interruptor de presencia del operador
6. Pantalla protectora
7. Barredora de escombros HedgeSweep™
8. Hoja
9. Cubierta de la cuchilla
10. Batería
11. Botón de sujeción de la batería
12. Cargador

### SÍMBOLOS EN EL PRODUCTO



Advertencia



Por favor lea las instrucciones detenidamente antes de arrancar la máquina.



Use protección auditiva



Utilice protección ocular



Sujete siempre el cortasetos con ambas manos cuando lo esté utilizando.



Use guantes de trabajo resistentes, antideslizantes.



Para evitar lesiones graves, no toque las cuchillas.



No la esponja a la lluvia o a lugares húmedos.



Tenga cuidado con los objetos volátiles o lanzados. Mantenga a todos los espectadores, especialmente a los niños y las mascotas, por lo menos a 15 metros de la zona de trabajo.



Esta herramienta responde a todas las normas reglamentarias del país de la UE donde se ha comprado.



Certificado EAC de conformidad



Marca de conformidad ucraniana



El nivel de potencia acústica garantizado mostrado en esta etiqueta es de 94 dB.



Los productos eléctricos de desperdicio no deben desecharse con desperdicios caseros. Por favor recíclelos donde existan dichas instalaciones.

Compruebe con su autoridad local o minorista para reciclar.

## SÍMBOLOS EN ESTE MANUAL



Las piezas o accesorios se venden por separado



Nota



Advertencia

Los siguientes símbolos y palabras detallan los niveles de cuidado necesarios para usar este producto.

### PELIGRO

Indica una situación potencialmente peligrosa que, de no evitarse, puede ocasionar la muerte o heridas de gravedad.

### ADVERTENCIA

Indica una situación peligrosa que, de no evitarse, puede ocasionar la muerte o heridas de gravedad.

### ADVERTENCIA

Indica una situación potencialmente peligrosa que, de no evitarse, puede ocasionar heridas leves.

### ADVERTENCIA

Sin símbolo de alerta de seguridad

Indica una situación que puede causar daños en las cosas.

E' stata data massima priorità a sicurezza, prestazioni e affidabilità nel design di questo tagliasiepi senza cavo.

### UTILIZZO RACCOMANDATO

Prodotto indicato solo per l'utilizzo all'esterno. Per ragioni di sicurezza, l'utensile deve essere adeguatamente controllato utilizzando sempre due mani.

Prodotto disegnato per utilizzo privato o domestico. Ideale per tagliare e sfrondare siepi, cespugli e altra vegetazione simile.

Utilizzare solo in luoghi asciutti e ben illuminati.

NON adatto a tagliare erba, alberi o rami. Non utilizzare per scopi diversi oltre a sfrondare siepi.

### AVVERTENZE GENERALI SULLA SICUREZZA DELL'UTENSILE

#### ⚠ AVVERTENZA

**Leggere tutte le avvertenze di sicurezza e le istruzioni.** La mancata osservanza di tutte le istruzioni potrà causare scosse elettriche, incendi e/o gravi lesioni personali. Conservare le presenti avvertenze ed istruzioni per poterle consultare in seguito.

Il termine "elettrotensile" nelle avvertenze fa riferimento a un elettrotensile che funziona con una spina (con cavo) o a batterie (senza cavo).

### AMBIENTE DI LAVORO

- **Mantenere l'area di lavoro pulita e ben illuminata.** Aree di lavoro disordinate o non illuminate adeguatamente potranno causare incidenti.
- **Non mettere in funzione gli elettrotensili in atmosfere esplosive, come in presenza di liquidi infiammabili, gas o polvere.** Gli elettrotensili creano scintille che possono causare incendi a contatto con polveri e fumi.
- **Tenere bambini ed eventuali osservatori lontani mentre si mette in funzione l'elettrotensile.** Eventuali distrazioni potranno causare una perdita di controllo.

### SICUREZZA ELETTRICA

- **La spina dell'elettrotensile deve corrispondere alla presa. Non modificare la spina in alcun modo. Non utilizzare spine adattatrici con elettrotensili con messa a terra (presa di terra).** Spine non modificate e prese corrispondenti ridurranno il rischio di scosse elettriche.
- **Evitare il contatto del corpo con superfici con messa a terra come tubi, radiatori, piani cottura e refrigeratori.** Rischio aumentato di scosse elettriche se il corpo viene collegato con messa a terra.
- **Non esporre il prodotto a pioggia o umidità.** Nel caso in cui dell'acqua entrerà nell'elettrotensile il rischio di scosse elettriche aumenterà.
- **Non sottoporre a sforzi il cavo dell'alimentazione. Non trasportare né tirare o scollegare l'elettrotensile dal cavo. Tenere il cavo lontano da**

**calore, olio, angoli appuntiti o parti in movimento.** Cavi danneggiati o intrecciati potranno far aumentare il rischio di scosse elettriche.

- **Quando si mette in funzione un elettrotensile all'esterno, utilizzare una prolunga adatta all'esterno.** Utilizzare un cavo adatto agli esterni per ridurre il rischio di scosse elettriche.
- **Nel caso in cui non si possa fare a meno di mettere in funzione un elettrotensile in un luogo umido, utilizzare un dispositivo di corrente residua (RCD).** Utilizzare un RCD ridurrà il rischio di scosse elettriche.

### SICUREZZA PERSONALE

- **Mantenere sempre l'attenzione e utilizzare buon senso quando si utilizza un elettrotensile. Non utilizzare un elettrotensile se stanchi o sotto l'influenza di droghe, alcool o farmaci.** Un momento di disattenzione durante le operazioni potrà risultare in gravi lesioni personali.
- **Utilizzare equipaggiamento di protezione personale. Indossare sempre occhiali di protezione.** Utilizzare sempre equipaggiamento di protezione come maschere per la polvere, calzature antiscivolo, caschi o cuffie di protezione per ridurre rischi di lesioni alla persona.
- **Prevenire l'avvio accidentale. Assicurarsi che l'interruttore sia sulla posizione off (spento) prima di collegare l'utensile all'alimentazione e/o al gruppo batterie, o prima di afferrare e trasportare l'utensile.** Trasportare elettrotensili tenendo un dito sull'interruttore o con l'elettrotensile acceso potrà causare incidenti.
- **Rimuovere eventuali chiavi o dispositivi di regolazione prima di accendere l'elettrotensile.** Una chiave o un dispositivo di blocco collegato a una parte rotante dell'utensile potrà risultare in gravi lesioni personali.
- **Non protendersi. Rimanere bene in equilibrio sulle gambe e non distendere troppo lontano le braccia.** Ciò permetterà un miglior controllo dell'elettrotensile in situazioni inaspettate.
- **Indossare un abbigliamento adatto. Non utilizzare abiti con parti svolazzanti o gioielli. Tenere capelli, vestiti e guanti lontani dalle parti in movimento.** Abiti con parti svolazzanti, gioielli o capelli lunghi potranno rimanere impigliati nelle parti in movimento.
- **Nel caso in cui vengano forniti dispositivi per l'estrazione e la raccolta della polvere, assicurarsi che gli stessi siano collegati e utilizzati correttamente.** Utilizzare il sacchetto di raccolta della polvere può ridurre rischi collegati alla polvere.

### UTILIZZO E MANUTENZIONE ELETTROTENSILI

- **Non forzare il prodotto. Utilizzare l'elettrotensile corretto per il proprio lavoro.** L'elettrotensile corretto svolgerà in maniera migliore e più sicura il lavoro per il quale è stato progettato.
- **Non utilizzare l'elettrotensile se l'interruttore non si accende e spegne.** Un elettrotensile che non può essere controllato dall'interruttore è pericoloso e deve essere riparato.



- **Scollegare la presa dall'alimentazione e/o il gruppo batterie dall'elettrotensile prima di fare le adeguate regolazioni, cambiare gli accessori o riporre gli elettrotensili.** Queste misure di sicurezza preventive ridurranno il rischio di avvio dell'elettrotensile.
- **Riporre elettrotensili lontano dalla portata dei bambini e non permettere a persone che non conoscano il funzionamento dell'elettrotensile o queste istruzioni di metterlo in funzione.** Gli elettrotensili possono essere pericolosi se utilizzati da personale non preparato.
- **Svolgere sempre le operazioni di manutenzione sull'elettrotensile.** Controllare l'eventuale allineamento scorretto o blocco delle parti in movimento, la rottura di parti e qualsiasi altra condizione che potrà influenzare il funzionamento dell'elettrotensile. In caso di danni far riparare l'elettrotensile prima di utilizzarlo. Elettrotensili sui quali non sono state svolte le dovute operazioni di manutenzione possono essere causa di incidenti.
- **Mantenere tutti gli utensili affilati e appuntiti.** Utensili per operazioni di taglio con parti taglienti sui quali sono state svolte le corrette operazioni di manutenzione non si bloccheranno e saranno più facili da controllare.
- **Utilizzare l'elettrotensile, i suoi accessori, le punte ecc. assieme a queste istruzioni tenendo conto delle condizioni di lavoro e del lavoro da svolgere.** Utilizzare l'elettrotensile per operazioni diverse da quelle indicate potrà causare situazioni pericolose.

## UTILIZZO E MANUTENZIONE DI UN UTENSILE A BATTERIE

- **Ricaricare solo con il caricatore indicato dalla ditta produttrice.** Un caricatore adatto per un tipo di batterie potrà creare un rischio di incendio se utilizzato con un altro gruppo batterie.
- **Utilizzare elettrotensili solo con i gruppi batteria indicati.** L'utilizzo di gruppi batteria diversi da quelli indicati potrà causare rischi di lesioni e incendi.
- **Quando il gruppo batterie non viene utilizzato, tenerlo lontano da oggetti in metallo come fermagli, monete, chiavi, chiodi, viti o altri piccoli oggetti che potranno fare da tramite da un terminale all'altro.** Cortocircuitare i terminali della batteria assieme potrà causare scottature o incendi.
- **Se sottoposto a stress, la batteria potrà perdere dei liquidi; evitare il contatto. Se si entra accidentalmente in contatto con tali liquidi, lavarsi immediatamente con acqua. Se il liquido entra negli occhi, rivolgersi a un medico.** Il liquido espulso dalla batteria potrà causare irritazioni o scottature.

## MANUTENZIONE

- **Far svolgere la manutenzione da personale qualificato utilizzando solo parti di ricambio identiche.** Ciò permette di mantenere la sicurezza dell'elettrotensile.

## AVVERTENZE DI SICUREZZA TAGLIASIEPI

- **Tenere tutte le parti del corpo lontane dalla lama di taglio. Non rimuovere materiale tagliato o materiale**

**da tagliare che si sta reggendo con le mani mentre le lame sono in movimento. Assicurarsi che l'interruttore sia spento quando si rimuove del materiale incastrato tra le lame.** Un momento di disattenzione mentre si mette in funzione il prodotto potrà causare gravi lesioni personali.

- **Trasportare il tagliasiepi dal manico con la lama arrestata. Quando si trasporta o si ripone il tagliasiepi, inserire sempre il coperchio sul dispositivo di taglio.** Utilizzare il tagliasiepi in modo corretto ridurrà eventuali lesioni che potranno essere causate dalla lama di taglio.
- **Reggere il dispositivo dal manico antiscivolo, dal momento che la lama di taglio potrà entrare in contatto con un cavo nascosto.** Se le lame di taglio entrano in contatto con un cavo "vivo" potranno rendere "vive" le parti in metallo dell'elettrotensile causando scosse elettriche all'operatore.

## ULTERIORI AVVERTENZE DI SICUREZZA

- In alcune regioni norme specifiche limitano l'utilizzo del prodotto ad alcune operazioni. Rivolgersi alle autorità locali per eventuali consigli. Leggere tutte le istruzioni.
- Pulire l'area di lavoro prima di ogni utilizzo. Rimuovere tutti gli oggetti come cavi, luci, fili, o corde che potranno essere scagliate o rimanere impigliate nei dispositivi di taglio.
- Controllare la siepe e rimuovere eventuali corpi estranei come corde e cavi di recinzioni.
- Prestare particolare attenzione quando si utilizza il prodotto in prossimità di recinti, pali, edifici o altri oggetti fissi.
- Fare attenzione ad oggetti scagliati; tenere osservatori, bambini e animali almeno 15 metri lontani dall'area di lavoro.
- Non permettere a bambini o a persone non qualificate di utilizzare questo prodotto.
- Norme di sicurezza generali non utilizzare questo apparecchio in una zona scarsamente illuminata. L'area di lavoro deve essere pulita per essere in grado di individuare potenziali rischi.
- Assicurarsi sempre che i manici e i paralame siano stati correttamente installati sull'utensile. Non tentare mai di utilizzare un prodotto incompleto o uno dotato di una modifica non autorizzata.
- Assicurarsi prima di ciascun utilizzo che tutti i comandi e i dispositivi di sicurezza funzionino correttamente. Non utilizzare l'utensile se l'interruttore "off" (spento) non arresta il prodotto.
- Controllare l'utensile prima di ogni utilizzo. Controllare la presenza di eventuali dispositivi di blocco allentati. Assicurarsi che paralame e manici siano montati accuratamente e correttamente. Sostituire le parti danneggiate prima dell'utilizzo. Controllare che il gruppo batterie non perda.
- Non modificare in alcun modo il prodotto.
- Indossare occhiali e cuffie di protezione mentre si utilizza questo prodotto. Nel caso in cui si sia lavorando in un'area dove vi sia rischio di caduta di oggetti, indossare sempre una protezione per la testa.





- Indossare pantaloni lunghi e resistenti, stivali e guanti da lavoro. Non indossare abbigliamento con parti svolazzanti, pantaloni corti, gioielli di ogni genere né utilizzare il dispositivo a piedi scalzi.
- Assicurare i capelli lunghi al di sopra delle spalle per evitare che rimangano impigliati nelle parti in movimento.
- L'utilizzo di dispositivi di protezione ridurrà la capacità di ascoltare eventuali segnali d'allarme (grida o avvertimenti). L'operatore dovrà prestare attenzione a ciò che accade nella zona di lavoro.
- Mettere in funzione utensili simili troppo vicino al proprio corpo aumenterà il rischio di lesioni all'udito e i rischi potenziali per le persone che entrano nell'area di lavoro.
- Non mettere in funzione il prodotto se stanchi, malati o sotto l'influenza di alcool, droghe e medicinali.
- Mantenere sempre un appoggio saldo e l'equilibrio. Non protendersi. Protendersi potrà far perdere l'equilibrio o esporre l'operatore al contatto con superfici calde.
- Tenere tutte le parti del proprio corpo lontane dalle parti in movimento.
- Prima di avviare l'utensile, assicurarsi che le lame di taglio non entrino in contatto con nulla.
- Mentre si mette in funzione il tagliasiepi, tenerlo sempre con entrambe le mani dai manici e assicurarsi che la posizione di funzionamento sia sicura. La ditta produttrice raccomanda di non utilizzare scale o scalette. Se si desidera svolgere operazioni di taglio a una altezza superiore, utilizzare un utensile estendibile.
- Le lame sono affilate. Quando si gestisce il montaggio della lama, indossare guanti di protezione anti-scivolo e da lavoro. Non posizionare mani o dita tra le lame o in una qualsiasi posizione nella quale potrebbero rimanere impigliate o tagliarsi. Non toccare la lama o l'unità senza aver prima rimosso il gruppo batterie.
- Spegnerne il dispositivo e rimuovere il gruppo batterie prima:
  - regolare la posizione di lavoro del dispositivo di taglio
  - rimuovere o pulire un eventuale blocco
  - Lasciare il prodotto incustodito
  - Operazioni di controllo, manutenzione e lavoro sul prodotto
- Non forzare il tagliasiepi attraverso vegetazione folta. Ciò potrà causare alle lame di rimanere inceppate e di rallentare. Se le lame rallentano, ridurre il passo.
- Non tentare di tagliare arbusti o rami più spessi di 18 mm (RHT1851R15, RHT1851R20, RHT1851R25, OHT1851R), 22 mm (RHT1855R40, OHT1855R) o troppo grandi da inserire nelle lame di taglio. Utilizzare una sega non operata elettricamente o una sega per potatura per tagliare rami grandi.
- Non mettere in funzione l'utensile se presenta parti di taglio danneggiate o eccessivamente usurate.

#### **⚠ AVVERTENZA**

Se il prodotto cade, subisce impatti pesanti o inizia a vibrare in maniera anomala, arrestarlo e controllare eventuali danni per identificare la causa delle vibrazioni. Riparare eventuali danni o far sostituire i pezzi da un centro servizi autorizzato.

#### **TRASPORTO E RIPONIMENTO**

- Arrestare il prodotto, rimuovere le batterie e lasciare che si raffreddi prima di riporlo o trasportarlo.
- Rimuovere eventuali materiali di scarto dal prodotto. Riporre in un luogo asciutto e ben ventilato non accessibile ai bambini. Per ulteriore sicurezza, riporre la batteria separatamente dal bordatore. tenerlo a distanza da agenti corrosivi, come le sostanze chimiche per il giardinaggio e il fondente chimico. Non riporre all'esterno.
- Coprire la lama con il coprilame prima di riporre l'unità o durante il trasporto.
- Per il trasporto, assicurare il prodotto contro ogni movimento o contro eventuali cadute per evitare lesioni a persone o danni al prodotto.

#### **TRASPORTO BATTERIE AL LITIO**

Trasportare le batterie rispettando quanto indicato dalle norme e regolamentazioni locali.

Far rispettare quanto indicato sulle etichette e sull'involucro quando la batteria viene trasportata da terzi. Assicurarsi che le batterie non entrino in contatto con altre batterie o con materiali conduttivi mentre si trasportano proteggendo connettori esposti con tappi o nastro isolante e non conduttivo. Non trasportare batterie rotte o che perdono liquidi. Consultare la ditta produttrice per eventuali ulteriori consigli.

#### **MANUTENZIONE**

#### **⚠ AVVERTENZA**

Utilizzare solo parti di ricambio, accessori e dispositivi originali della ditta produttrice. In caso contrario si potranno causare lesioni, prestazioni basse e la garanzia verrà invalidata.

#### **⚠ AVVERTENZA**

Le operazioni di manutenzione devono essere svolte con grande attenzione e accortezza solo da un tecnico qualificato. Si consiglia di riportare l'utensile al più vicino centro assistenza autorizzato per farlo riparare. Quando l'attrezzo viene riparato, utilizzare solo ricambi identici.







### **⚠ AVVERTENZA**

Le lame sono affilate. Per evitare lesioni alla persona, fare estrema attenzione durante le operazioni di pulizia, lubrificazione e regolazione o quando si rimuove il dispositivo di protezione delle lame.

- Rimuovere la batteria prima di svolgere le operazioni di regolazione, manutenzione o pulizia.
- L'operatore potrà fare le regolazioni e riparazioni descritte nel presente manuale. Per ulteriori riparazioni, contattare il centro servizi autorizzato.
- Dopo ogni utilizzo, pulire il corpo dell'utensile e le impugnature del prodotto con un panno asciutto morbido.
- Dopo ogni utilizzo, rimuovere gli scarti dalle lame con una spazzola rigida, e quindi applicare attentamente un lubrificante per prevenire la ruggine prima di reinstallare il proteggi lame. La ditta produttrice raccomanda di utilizzare uno spray lubrificante e preventivo della ruggine da applicare in maniera equa e ridurre il rischio di lesioni personali dal contatto con le lame. Per informazioni su un prodotto spray adatto, controllare con il proprio centro servizi autorizzato.
- Si potrà voler lubrificare le lame leggermente prima dell'utilizzo se necessario, utilizzando il metodo di cui sopra.
- Controllare frequentemente dadi, bulloni e viti, verificando che siano stati assicurati correttamente per fare in modo che il prodotto garantisca condizioni di lavoro ottimali. Riparare eventuali parti danneggiate o farle sostituire da un centro servizi autorizzato.

### **RISCHI RESIDUI:**

Anche quando il prodotto viene utilizzato come indicato, è impossibile eliminare completamente alcuni fattori di rischio residuo. Si potranno verificare i seguenti rischi durante l'utilizzo e l'operatore dovrà prestare attenzione speciale per evitare quanto segue:

- lesioni da contatto con le lame
  - Il contatto con le lame potrà causare gravi lesioni alla persona. Tenere la lama lontana da sé stessi e dagli altri. Coprire le lame con l'apposito protettore quando non le si stanno tagliando.
- Lesioni causate da vibrazioni.
  - Utilizzare sempre l'utensile adatto per svolgere il lavoro, utilizzare i manici appositi e limitare le ore di lavoro e l'esposizione.
- Danni causati all'udito dall'esposizione al rumore.
  - Indossare cuffie di protezione e limitare l'esposizione.

### **RIDUZIONE DEL RISCHIO**

Si è accertato che le vibrazioni causate da utensili a mano possono contribuire a causare una condizione chiamata Sindrome di Raynaud in alcune persone. I sintomi, comprendenti formicolio, intorpidimento e perdita di colore alle dita, si verificano di solito quando ci si espone al freddo. Fattori ereditari, esposizione a freddo e umidità, una dieta scorretta, fumo e condizioni di lavoro non sicure potranno

contribuire allo sviluppo di questi sintomi. È possibile prendere delle precauzioni per ridurre le vibrazioni:

- Tenere il corpo al caldo a basse temperature. Quando si utilizza il prodotto indossare guanti per tenere le mani e i polsi caldi.
- Dopo aver utilizzato l'utensile per un certo periodo, fare degli esercizi per stimolare la circolazione del sangue.
- Fare spesso delle pause. Limitare la quantità di esposizione giornaliera.

Nel caso in cui si provino i sintomi di questa condizione, interrompere immediatamente l'utilizzo dell'utensile e consultare un dottore.

### **⚠ AVVERTENZA**

Il prolungato utilizzo dell'utensile potrà causare o aggravare lesioni. Quando si utilizza questo utensile per periodi di tempo prolungati, assicurarsi di fare sempre delle pause regolari.

### **DESCRIZIONE**

*Vedere pagina 128.*

### **PARTI**

1. Manico posteriore
2. Grilletto
3. Pulsante di blocco rotazione maniglia
4. Manico anteriore
5. Interruttore presenza operatore
6. Schermo di protezione
7. Aspiratore di detriti HedgeSweep™
8. Lama
9. Coperchio lama
10. Batteria
11. Tasto linguetta batteria
12. Caricatore

### **SIMBOLI SUL PRODOTTO**



Avvertenza



Leggere attentamente le istruzioni prima di avviare l'utensile.



Indossare cuffie di protezione



Indossare dispositivi di protezione occhi



Reggere sempre il tagliasiepi con entrambe le mani durante le operazioni.



Indossare guanti anti-scivolo da lavoro.





Per prevenire gravi lesioni, non toccare le lame di taglio.



Non esporre a pioggia o umidità.



Fare attenzione ad oggetti scagliati o lanciati dall'utensile. Tenere lontani tutti gli osservatori, soprattutto bambini e animali, ad almeno 15 m dalla zona di funzionamento.



Questo apparecchio è conforme a tutte le norme vigenti nel paese dell'UE in cui è stato acquistato.



Marchio di conformità EurAsian



Marchio di conformità ucraino



Il livello di pressione sonora garantito indicato su questa etichetta è di 94 dB.



I prodotti elettrici non devono essere smaltiti con i rifiuti domestici. Vi sono strutture per smaltire tali prodotti. Informarsi presso il proprio Comune o rivenditore di sicurezza per smaltire adeguatamente tali rifiuti.

I seguenti simboli indicano i livelli di rischio associati a questo prodotto.

**⚠ PERICOLO**

Indica una situazione pericolosa che, se non evitata attentamente, potrà causare gravi lesioni alla persona o morte.

**⚠ AVVERTENZA**

Indica una situazione potenzialmente pericolosa che, se non evitata attentamente, potrà causare gravi lesioni alla persona o morte.

**⚠ ATTENZIONE**

Indica una situazione potenzialmente pericolosa che, se non evitata attentamente, potrà causare lesioni minori o moderate alla persona.

**ATTENZIONE**

Senza simbolo di allerta di sicurezza

Indica una situazione che potrà risultare in gravi danni a cose.

**SIMBOLI NEL PRESENTE MANUALE**



Parti o accessori venduti separatamente



Note



Avvertenze



Veiligheid, prestaties en betrouwbaarheid kregen topprioriteit in het ontwerp van uw snoerloze heggenschaar.

### VOORGESCHREVEN GEBRUIK

Het product is uitsluitend geschikt voor buitenshuis gebruik. Omwille van veiligheidsredenen moet het product correct worden bediend door steeds twee handen te gebruiken.

Het product is geschikt voor huishoudelijk gebruik. Het is bedoeld om heggen, struiken en gelijkaardige vegetatie te snoeien en trimmen.

Het moet worden gebruikt in droge, goed verlichte omstandigheden.

Het is NIET bedoeld om gras, bomen of takken te snijden. Het mag niet worden gebruikt voor enig ander doel dan het snoeien van heggen.

### ALGEMENE VEILIGHEIDSWAARSCHUWINGEN VOOR HET WERKTUIG

#### WAARSCHUWING

**Lees alle veiligheidswaarschuwingen en instructies.** Wanneer niet de waarschuwingen en instructies niet opvolgt, kan dit leiden tot elektrische schok en/of ernstig letsel. Bewaar deze waarschuwingen en voorschriften zorgvuldig om ze ook later te kunnen inzien.

De term "elektrisch gereedschap" in de waarschuwingen verwijst naar gereedschap dat met de stroomtoevoer is verbonden (met snoer) of accu-aangedreven (snoerloos) gereedschap.

#### WERKOMGEVING

- **Houd de werkplek schoon en goed verlicht.** Vervuilde of donkere plekken nodigen uit tot ongevallen.
- **Gebruik elektrische werktuigen niet in explosieve omgevingen, zoals in de aanwezigheid van ontvlambare vloeistoffen, gassen of stof.** Elektrisch gereedschap kan vonken veroorzaken die het stof of de gassen kunnen ontsteken.
- **Houd kinderen en omstanders weg terwijl u elektrisch gereedschap gebruikt.** Wanneer u wordt afgeleid, kunt u de controle verliezen.

#### ELEKTRISCHE VEILIGHEID

- **Stekkers van elektrisch gereedschap moeten overeenkomen met de contactdoos. Wijzig de stekker nooit. Gebruik geen adapters met geaarde elektrische werktuigen.** Niet-gewijzigde stekkers en overeenkomstige contactdozen zullen het risico op elektrische schok verminderen.
- **Vermijd lichaamscontact met een geaard oppervlak, zoals buizen, radiatoren, kookfornuizen en koelkasten.** Er bestaat een verhoogd risico voor elektrische schokken als uw lichaam is geaard.
- **Stel het product niet bloot aan regen of natte omstandigheden.** Water dat een elektrisch werktuig binnendringt, verhoogt het risico op elektrische schokken.

- **Misbruik het snoer niet. Gebruik het snoer nooit om het elektrisch werktuig te dragen, eraan te trekken of het uit de contactdoos te trekken. Houd het snoer weg van hitte, olie, scherpe randen of bewegende onderdelen.** Beschadigde of verstrikte snoeren verhogen het risico op elektrische schokken.
- **Gebruik een verlengsnoer geschikt voor buitenshuis gebruik wanneer u een elektrisch werktuig buitenshuis gebruikt.** Het gebruik van een snoer dat geschikt is voor buitenshuis gebruik, vermindert het risico op elektrische schokken.
- **Als het gebruik van een elektrisch werktuig op een vochtige plaats onvermijdelijk is, gebruikt u een contactdoos die beschermd is door een aardlekschakelaar.** Het gebruik van een aardlekschakelaar vermindert het risico op elektrische schokken.

#### PERSOONLIJKE VEILIGHEID

- **Blijf alert, kijk naar wat u doet en gebruik uw gezond verstand wanneer u elektrisch gereedschap gebruikt.** Gebruik een elektrisch werktuig niet wanneer u moe of onder de invloed van drugs, alcohol of medicijnen bent. Een ogenblik van onoplettendheid terwijl u elektrisch gereedschap gebruikt, kan leiden tot ernstige verwondingen.
- **Gebruik een persoonlijke beschermuitrusting. Draag altijd gehoorbescherming.** Beschermonderdelen, zoals een stofmasker, antislipschoeisel, helm of gehoorbescherming dat op een geschikte manier wordt gebruikt, zal het risico op verwondingen verlagen.
- **Ongewenst starten voorkomen. Zorg ervoor dat de schakelaar zich in de uit-stand bevindt voor u de machine met een stroombron en/of accupack verbindt, de machine opheft of draagt.** Wanneer u elektrisch gereedschap draagt met de vinger op de schakelaar of wanneer het gereedschap met de stroombron is verbonden, kan dit leiden tot ongevallen.
- **Verwijder alle afstelsleutels voor u het elektrisch werktuig inschakelt.** Een sleutel die op een draaiend onderdeel van het elektrisch gereedschap werd achtergelaten, kan leiden tot verwondingen.
- **Overrek u niet. Ga altijd stevig op uw benen staan en reik niet te ver weg met uw arm.** Dit maakt een betere controle van het werktuig in onverwachte omstandigheden mogelijk.
- **Draag geen wijde kleding, dassen of sieraden die klem kunnen raken en u naar de bewegende delen toe kunnen trekken. Draag geen losse kledij of juwelen. Houd uw haar, kledij en handschoenen weg van de bewegende onderdelen.** Losse kledij, juwelen of lang haar kan in bewegende onderdelen verstrikt raken.
- **Als er apparaten worden geleverd voor de verbinding met een stofextractie en verzamelafaciliteiten, zorgt u ervoor dat deze zijn verbonden en goed worden gebruikt.** Het gebruik van een stofverzamelaar vermindert stof-gerelateerde gevaren.

EN  
FR  
DE  
ES  
IT  
NL  
PT  
DA  
SV  
FI  
NO  
RU  
PL  
CS  
HU  
RO  
LV  
LT  
ET  
HR  
SL  
SK  
BG  
UK  
TR





## GEbruik VAN EN ZORG VOOR UW ELEKTRISCH GE-REEDSCHAP

- **Forceer het product niet. Gebruik het correcte werktuig voor uw toepassing.** Het juiste werktuig zal de taak beter en veiliger uitvoeren aan het tempo waarvoor het werd ontworpen.
- **Gebruik het elektrisch werktuig niet als de schakelaar het niet kan in- of uitschakelen.** Een elektrisch werktuig dat niet met behulp van de schakelaar kan worden bediend, is gevaarlijk en moet worden gerepareerd.
- **Trek de stekker uit de contactdoos en/of ontkoppel het accupack van het werktuig voor u de machine afstelt, accessoires vervangt of het werktuig opbergt.** Zulke preventieve veiligheidsmaatregelen kunnen het risico op ongewenst starten van de machine verminderen.
- **Bewaars ongebruikt elektrisch gereedschap buiten het bereik van kinderen en niet-opgeleide personen die het gereedschap of deze gebruiksaanwijzingen niet kennen.** Elektrisch gereedschap is gevaarlijk in de handen van niet-opgeleide gebruikers.
- **Onderhoud elektrisch gereedschap. Controleer op verkeerde aflijning of verstrikt raken van bewegende delen, defecten van onderdelen en alle andere situaties die de werking van het werktuig kunnen beïnvloeden.** Indien beschadigd, laat u het elektrisch gereedschap repareren voor gebruik. Veel ongevallen worden veroorzaakt door slecht onderhouden elektrische werktuigen.
- **Houd de zaagwerktuigen scherp en schoon.** Correct onderhouden zaagwerktuigen met scherpe randen zijn minder geneigd om verstrikt te raken en kunnen makkelijker worden bestuurd.
- **Gebruik het werktuig, de accessoires en werktuigonderdelen, etc. in overeenstemming met deze instructies en houd rekening met de bedrijfsomstandigheden en het uit te voeren werk.** Het gebruik van een elektrisch werktuig voor zaken die niet in het voorgeschreven gebruik zijn beschreven, kan leiden tot gevaarlijke situaties.

## GEbruik EN ONDERHOUD VAN HET ACCUAANGE-DREVEN WERKTUIG

- **Herlaad enkel met de oplader die door de fabrikant is gespecificeerd.** Een oplader die voor een type accupack is geschikt kan een brandgevaar betekenen wanneer het met een ander accupack wordt gebruikt.
- **Gebruik elektrisch gereedschap uitsluitend met de specifiek toegewezen accupacks.** Het gebruik van andere accupacks kan leiden tot risico's op letsels en brand.
- **Wanneer het accupack niet wordt gebruikt, moet u het weg houden van andere metalen objecten, zoals papierclips, munten, sleutels, spijkers, schroeven of andere kleine metalen voorwerpen die een verbinding kan maken van een terminal naar een andere.** De batterijterminals kortsluiten kan leiden tot brandwonden of brand.
- **In oneigenlijke omstandigheden, kan een vloeistof**

uit de accu lekken; vermijd contact hiermee. Als per ongeluk contact voorkomt, spoelt u met water. Als de vloeistof in contact komt met de ogen, dient u bijkomend medische hulp te raadplegen. Vloeistof die uit de accu lekt, kan irritatie of brandwonden veroorzaken.

## ONDERHOUD

- **Laat uw elektrisch gereedschap onderhouden door een gekwalificeerd onderhoudspersoon en gebruik hierbij uitsluitend identieke vervangonderdelen.** Dit zal ervoor zorgen dat de veiligheid van het werktuig wordt behouden.

## VEILIGHEIDSWAARSCHUWINGEN VOOR HAAGTRIMMER

- **Houd alle lichaamsdelen weg van het snijblad. Verwijder geen gesnoeid materiaal of houd geen materiaal dat moet worden gesnoeid vast wanneer de snijbladen bewegen. Zorg ervoor dat de schakelaar is uitgeschakeld wanneer u geblokkeerd materiaal vrijmaakt.** Een ogenblik van onoplettendheid tijdens het gebruik van het product kan leiden tot ernstige persoonlijke letsels.
- **Houd de heggeschaar aan het handvat vast als het snijblad is stilgevallen. Wanneer u de heggeschaar transporteert of opbergt, dient u altijd de beschermhoes van de snijbladen te bevestigen.** Wanneer u de heggeschaar degelijk gebruikt, vermindert de kans op verwondingen door de snijbladen.
- **Houd het werktuig uitsluitend aan het geïsoleerde handvat vast aangezien het snijblad in contact kan komen met verborgen kabels.** Snijbladen die in contact komen met een kabel "onder spanning" kunnen ervoor zorgen dat blootgestelde metalen onderdelen van het werktuig ook "onder spanning" komen te staan, wat de gebruiker een elektrische schok kan geven.

## BIJKOMENDE VEILIGHEIDSWAARSCHUWINGEN

- In enkele streken gelden regels die het gebruik van het product tot enkele handelingen beperken. Raadpleeg uw lokale autoriteit voor advies. Lees alle aanwijzingen.
- Maak voor elk gebruik de werkplek vrij. Verwijder alle voorwerpen, zoals snoeren, lampen, draad of kabels die in het zaagmechanisme verstrikt kunnen raken of weggeworpen worden.
- Controleer de haag op vreemde voorwerpen, zoals draadomheiningen.
- Wees voorzichtig wanneer u het product gebruikt in de buurt van schuttingen, palen, gebouwen of andere onbeweegbare objecten.
- Pas op voor weggeslingerde voorwerpen; houd alle omstaanders, kinderen en huisdieren op tenminste 15 m afstand van het werkgebied.
- Laat kinderen of niet-opgeleide personen dit product niet gebruiken.
- Gebruik dit apparaat niet op plekken waar u niet goed kunt zien. De gebruiker heeft een duidelijk overzicht nodig van het werkgebied om mogelijke gevaren te





identificeren.

- Zorg er altijd voor dat alle handvatten en beschermers zijn gemonteerd wanneer u de machine gebruikt. Probeer nooit gebruik te maken van een onvolledig product of een product dat is uitgerust met ongeautoriseerde aanpassingen.
- Controleer voor elk gebruik of alle bedieningsknoppen en veiligheidsinrichtingen goed functioneren. Gebruik het werktuig niet als de "uit"-knop het product niet stillet.
- Controleer de machine voor elk gebruik. Controleer op losse binders. Zorg ervoor dat alle beschermers en handvatten goed en veilig zijn vastgemaakt. Vervang alle beschadigde onderdelen voor gebruik. Controleer het accupack op lekken.
- Wijzig het product op geen enkele manier.
- Draag volledige gezichts- en gehoorbescherming terwijl u het product bedient. Als u op een plaats werkt waar het risico bestaat op vallende voorwerpen moet een veiligheidshelm worden gedragen.
- Draag een zware lange broek, laarzen en handschoenen. Draag geen losse kleding, korte broek, juwelen van enig soort en gebruik het apparaat niet met blote voeten.
- Maak lang haar vast boven schouderhoogte om te voorkomen dat het verstrikt raakt in de bewegende delen.
- Het gebruik van gehoorbescherming vermindert de mogelijkheid om waarschuwingen (verbaal of alarmen) te horen. De gebruiker moet extra aandacht hebben voor wat er op de werkplaats gebeurt.
- Het gebruik van gelijksoortige apparaten in de nabijheid verhoogt het risico van letsel en de mogelijkheid dat er andere mensen in uw werkgebied komen.
- Gebruik het product niet wanneer u moe, ziek of onder de invloed bent van alcohol, drugs of medicijnen.
- Bewaar steeds een stevige houvast en goed evenwicht. Overrek u niet. Wanneer u overreikt kan dit leiden tot evenwichtsverlies of blootstelling aan hete oppervlakken.
- Houd alle lichaamsdelen weg van de bewegende delen.
- Voor u de machine start, dient u ervoor te zorgen dat zaagbladen niet in contact kunnen komen met andere voorwerpen.
- Draag de haagtrimmer tijdens het gebruik altijd stevig met beide handen op de twee handgrepen en controleer of de gebruikspositie veilig en stevig is. De fabrikant raadt het gebruik van een ladder niet aan. Gebruik een verlengaccessoire voor hoger trimwerk.
- zaagbladen zijn scherp. Draag zware antislip beschermhandschoenen als u het zaagblad hanteert. Plaats uw hand of vingers niet tussen de snijbladen of in een positie waar ze gekneld kunnen raken of snijwonden kunnen oplopen. Raak het snijblad nooit aan of voer geen onderhoudswerken uit tenzij het batterijpack verwijderd is.
- Schakel de machine uit en verwijder het batterijpack voor:

- werkpositie van het snijmechanisme afstellen
- blokkering schoon- of vrijmaken
- het product onbeheerd achterlaten
- ontrolleren, onderhoud of werken aan het product
- Forceer de heggenschaar niet door dicht struikgewas. Dit kan ervoor zorgen dat het snijblad vast raakt en vertraagt. Als de snijbladen vertragen, vermindert u het tempo.
- Probeer geen twijgen of takken te snoeien die dikker zijn dan 18 mm (RHT1851R15, RHT1851R20, RHT1851R25, OHT1851R), 22 mm (RHT1855R40, OHT1855R) of die te groot zijn voor het snijblad. Gebruik een handzaag of snoeizaag om grote stammen te snoeien.
- Bedien de machine niet met een beschadigd of uiterst versleten maai-apparaat.

#### ⚠ WAARSCHUWING

Als u het product laat vallen, het een ernstige impact ondergaat of abnormaal begint te trillen, legt u het product onmiddellijk stil en controleert u het op schade of zoekt u naar de oorzaak van de trillingen. Enige schade moet direct worden gerepareerd of vervangen door een bevoegd onderhoudscentrum.

#### TRANSPORT EN OPSLAG

- Leg het product stil, verwijder de batterij en laat beide afkoelen voor u ze opbergt of transporteert.
- Verwijder alle vreemde voorwerpen van het product. Bewaar op een koele, droge en goed geventileerde plaats die niet toegankelijk is voor kinderen. Om de veiligheid te verhogen, bewaart u de batterij afzonderlijk van de heggenschaar. Houd corrosieve producten, zoals tuinchemicaliën en strooizout uit de buurt van het apparaat. Bewaar niet buitenshuis.
- Bedek het maaiblad met een maaibladbeschermer voor u de machine opbergt of tijdens transport.
- Voor transport beveilig u het product tegen bewegen of vallen om lichamelijke letsels of schade aan het product te voorkomen.

#### LITHIUMBATTERIJEN TRANSPORTEREN

De accu's dienen in overeenstemming met de plaatselijk en nationale regelgeving te worden getransporteerd.

Respecteer alle speciale voorwaarden op de verpakking en etikettering wanneer u de accu's door derden laat transporteren. Zorg ervoor dat de accu's tijdens het transport niet in contact komen met andere batterijen of geleidende materialen door blootliggende connectoren met isolerende, niet-geleidende doppen of plakband te beschermen. Transporteer geen accues die lekken of gebarsten zijn. Overleg met het transportbedrijf voor verder advies.

EN
FR
DE
ES
IT
<b>NL</b>
PT
DA
SV
FI
NO
RU
PL
CS
HU
RO
LV
LT
ET
HR
SL
SK
BG
UK
TR



## ONDERHOUD

### ⚠ WAARSCHUWING

Gebruik uitsluitend originele vervangonderdelen, accessoires en voorzetstukken van de fabrikant. Als u dit niet doet, kan dit mogelijks letsels of slechte prestaties veroorzaken waardoor uw garantie kan vervallen.

### ⚠ WAARSCHUWING

Het onderhoud vereist extreme voorzichtigheid en deskundigheid en mag enkel door een gekwalificeerde onderhoudstechnicus worden uitgevoerd. Wij raden u aan het toestel voor herstellingen naar uw dichtstbijzijnde erkende onderhoudsdienst terug te brengen. Gebruik voor het onderhoud alleen identieke vervangingsonderdelen.

### ⚠ WAARSCHUWING

De zaagbladen zijn scherp. Wees extreem voorzichtig bij het reinigen, smeren en plaatsen of verwijderen van de bladbescherming om persoonlijk letsel te voorkomen.

- Verwijder de batterij voor u de machine afstelt, onderhoudt of reinigt.
- U kunt de afstellingen en reparaties die in deze gebruiksaanwijzing worden vermeld, uitvoeren. Voor andere herstellingen, neemt u contact op met uw geautoriseerd onderhoudsagent.
- Reinig na elk gebruik het lichaam en de handvaten van het product met een zachte doek.
- Verwijder na elk gebruik het afval van de bladen met een stijve borstel en breng dan voorzichtig een tegen roest beschermend smeermiddel aan voordat u de bladbescherming weer terugplaatst. De fabrikant raadt aan om een tegen roest beschermende smeerspray te gebruiken om een gelijkmatige laag aan te brengen en om persoonlijk letsel te voorkomen door contact met de bladen. Ga voor informatie over een geschikte spray naar uw plaatselijke bevoegde onderhoudscentrum.
- U kunt zo nodig de bladen licht smeren voor elk gebruik door de bovenstaande methode te gebruiken.
- Controleer regelmatig of alle moeren, bouten en vijzen goed zijn vastgemaakt om zeker te zijn dat het product veilig kan worden gebruikt. Een beschadigd onderdeel moet door een geautoriseerd onderhoudscentrum goed worden gerepareerd of vervangen.

## RESTRISICO'S

Zelfs wanneer het product zoals voorgeschreven wordt gebruikt, is het nog steeds onmogelijk om bepaalde restrisico's volledig te elimineren. De volgende gevaren kunnen zich voordoen tijdens het gebruik en de gebruiker dient in het bijzonder aandacht te hebben om de volgende situaties te vermijden:

- verwondingen als gevolg van contact met de maaibladen

- Contact met de zaagbladen kan ernstige letsels veroorzaken. Houd het zaagblad weg van uzelf en anderen. Bedek met de zaagbladbeschermer wanneer u niet snoeit.

- Letsels veroorzaakt door trillingen.
  - Gebruik altijd het juiste gereedschap voor de taak, gebruik de toegewezen handvaten en beperk de gebruikstijd en blootstelling.
- Gehoorschade veroorzaakt door blootstelling aan geluid.
  - Draag gehoorbescherming en beperk de blootstelling.

## RISICOBEPERKING

Er zijn meldingen dat trillingen van handwerktuigen bij sommige mensen bijdragen tot het Syndroom van Raynaud. Symptomen kunnen ondermeer tintelingen, gevoelloosheid en bleek worden van de vingers omvatten, wat normaal gezien duidelijk wordt bij blootstelling aan koude. Erfelijke factoren, blootstelling aan koude en vocht, dieet, roken en werkroutine kunnen allemaal bijdragen tot de ontwikkeling van deze symptomen. Er kunnen door de bediener maatregelen worden genomen om de gevolgen van de trillingen te beperken:

- Houd bij koud weer uw lichaam warm. Draag handschoenen terwijl u het product gebruikt om de handen en polsen warm te houden.
- Doe oefeningen om de bloeddoorstroming te bevorderen na elke periode van gebruik.
- Neem regelmatig een pauze. Beperk het aantal uren dat u per dag wordt blootgesteld.

Wanneer u enige van de symptomen van deze aandoening ervaart, stop dan onmiddellijk met het gebruik van het toestel en raadpleeg uw dokter

### ⚠ WAARSCHUWING

Letsel kunnen worden veroorzaakt of ernstiger worden door verlengd gebruik van een werktuig. Als u een werktuig gedurende langere periodes gebruikt, neem dan regelmatig pauze.

## VERKLARING

Zie pagina 128.




## ONDERDELEN

1. Achterste handvat
2. Aan-/uit-hendel
3. Vergrendelknop handgrieplocatie
4. Voorste handvat
5. Gebruikeraanwezigheidsschakelaar
6. Afscherming
7. HedgeSweep™ afvalveger
8. Zaagblad
9. Maaibladdeksel
10. Accu
11. Batterijvergrendelknop
12. Lader




**SYMBOLLEN OP HET PRODUCT**

-  Waarschuwing
-  Gelieve de instructies zorgvuldig te lezen voordat u de machine in gebruik neemt.
-  Draag gehoorbescherming
-  Draag gezichtsbescherming
-  Houd de heggenschaar altijd met beide handen vast tijdens het gebruik.
-  Draag zware, antislip handschoenen.
-  Om ernstige letsels te voorkomen, raakt u de zaagbladen niet aan.
-  Stel niet bloot aan regen of vocht.
-  Houd rekening met weggeslingerde of rondvliegende voorwerpen. Houd alle omstanders, in het bijzonder kinderen en huisdieren, op tenminste 15m afstand van het werkgebied.
-  Dit apparaat voldoet aan alle geldende normen van Lid-Staat van de Europese Unie waar het werd gekocht.
-  EurAsian-symbool van overeenstemming
-  Oekraïens conformiteitssymbool
-  De gegarandeerde geluidsdruk wordt op dit etiket als zijnde 94 dB.
-  Elektrisch afval mag niet samen met ander huishoudafval worden weggegooid. Gelieve te recyclen indien de mogelijkheid bestaat. Neem contact op met uw lokaal bestuur of handelaar om advies te krijgen over recyclage.

**SYMBOLLEN IN DEZE GEBRUIKSAANWIJZING**

-  Onderdelen of accessoires afzonderlijk verkocht
-  Opmerking
-  Waarschuwing

De volgende kernwoorden en verklaringen zijn bedoeld om de gevaa­rniveaus die op dit toestel betrekking hebben, te verklaren.

-  **GEVAAR**  
Wijst op een gevaarlijke situatie die, als ze niet wordt voorkomen, dodelijk kan zijn of ernstige verwondingen kan veroorzaken.
-  **WAARSCHUWING**  
Wijst op een mogelijks gevaarlijke situatie die, als ze niet wordt voorkomen, dodelijk kan zijn of ernstige verwondingen kan veroorzaken.
-  **LET OP**  
Wijst op een mogelijks gevaarlijke situatie die, als ze niet wordt voorkomen, kleine of middelmatige verwondingen kan veroorzaken.

**LET OP**  
Zonder veiligheids­waarschuwingssymbool  
Wijst op een situatie die kan leiden tot materiële schade.

Segurança, desempenho e fiabilidade foram as prioridades na conceção do seu corta-sebes sem fios.

### USO PREVISTO

Este produto destina-se exclusivamente a ser utilizado ao ar livre. Por motivos de segurança, o produto tem obrigatoriamente de ser controlado adequadamente, utilizando ambas as mãos durante a operação.

O produto foi concebido para uso doméstico. É concebida para cortar e aparar pontas, arbustos e vegetação similar. Deve ser usada num local seco e bem iluminado.

NÃO se destina a cortar relva, árvores ou ramos. Não deve ser usada para qualquer outro fim que não seja aparar pontas.

### AVISOS GERAIS DE SEGURANÇA DA FERRAMENTA ELÉCTRICA

#### ⚠️ ADVERTÊNCIA

**Leia todos os avisos de segurança e todas as instruções.** O facto de não seguir os avisos e as instruções pode conduzir a choque eléctrico, fogo e/ou lesão grave. Conserve estas advertências e instruções para que possa consultá-las mais tarde.

O termo "ferramenta eléctrica" nos avisos refere-se à ferramenta operada através de ligação à rede eléctrica (com fios) ou à ferramenta operada através de bateria (sem fios).

### AMBIENTE DE TRABALHO

- **Mantenha a área de trabalho limpa e bem iluminada.** As áreas desordenadas ou escuras são um convite para acidentes.
- **Não opere ferramentas eléctricas em atmosferas explosivas, tais como na presença de líquidos inflamáveis, gases ou poeira.** As ferramentas eléctricas criam faíscas que podem causar a inflamação de poeiras ou vapores.
- **Ao operar esta ferramenta eléctrica, mantenha as crianças e as pessoas presentes afastadas.** Distrações podem fazer com que perca o controlo.

### SEGURANÇA ELÉCTRICA

- **As fichas eléctricas da ferramenta têm de corresponder à tomada. Nunca altere a ficha seja de que maneira for. Não use quaisquer fichas adaptadoras com ferramentas de ligação com terra.** As fichas não modificadas e tomadas compatíveis reduzirão o risco de choque eléctrico.
- **Evite o contacto do corpo com superfícies com ligação terra ou enterradas, tais como tubos, radiadores, fogões e frigoríficos.** Há um aumento do risco de choque eléctrico se o seu corpo estiver ligado à terra.
- **Não exponha este produto à chuva ou humidade elevada.** A entrada de água na ferramenta eléctrica aumentará o risco de choque eléctrico.
- **Não abuse do cabo de alimentação. Nunca use**

**o cabo para carregar, puxar ou retirar a ficha da ferramenta da tomada. Mantenha o cabo afastado do calor, óleo, pontas afiadas ou peças móveis.** Os cabos danificados ou emaranhados aumentam o risco de choque eléctrico.

- **Ao operar uma ferramenta eléctrica ao ar livre, use um cabo de extensão apropriado para o uso ao ar livre.** A utilização de um cabo apropriado para o uso ao ar livre reduz o risco de choque eléctrico.
- **Se operar uma ferramenta eléctrica num local húmido é inevitável, use uma fonte com protecção de dispositivo de corrente residual (RCD).** O uso de um RCD reduz o risco de choque eléctrico.

### SEGURANÇA PESSOAL

- **Ao operar esta ferramenta eléctrica, permaneça alerta, tenha em atenção ao que está a fazer e use o bom senso. Não utilize a ferramenta eléctrica quando se sentir cansado ou se se encontrar sob a influência de drogas, álcool ou medicamentos.** Um momento de desatenção enquanto opera estas ferramentas eléctricas pode resultar em ferimentos graves.
- **Utilizar equipamento de protecção. Use sempre protecção para os olhos.** O equipamento de protecção tal como a máscara contra pó, calçado antiderrapante de segurança, capacete, ou protecção para os ouvidos, usado para condições apropriadas irá reduzir a probabilidade de ferimentos.
- **Evite o arranque involuntário. Assegure-se de que o interruptor se encontra na posição de desligado antes de o ligar à fonte de energia e/ou bateria, levantando ou transportando a ferramenta.** Transportar ferramentas eléctricas com o seu dedo no interruptor ou ligar à corrente ferramentas eléctricas que têm o interruptor ligado são um convite a acidentes.
- **Remova qualquer chave de ajuste antes de ligar a ferramenta eléctrica.** Uma chave-inglesa ou uma chave colocada numa peça móvel da ferramenta eléctrica pode causar lesões pessoais.
- **Não se aproxime em demasia. Fique sempre bem apoiado nas pernas e não estique demasiado o braço.** Isto possibilita um melhor controlo da ferramenta eléctrica em situações inesperadas.
- **Use roupas adequadas. Não use roupa larga ou acessórios de jóias. Mantenha o seu cabelo, roupa e luvas longe das peças móveis.** A roupa larga, jóias ou cabelo comprido podem ficar presos nas peças móveis.
- **Se são fornecidos os dispositivos para a ligação de espaços de extracção e recolha de pó, assegure-se de que estes se encontram conectados e usados correctamente.** A utilização de um colector de pó pode reduzir os perigos relacionados com o pó.

### UTILIZAÇÃO E MANUTENÇÃO DA FERRAMENTA ELÉCTRICA

- **Não force o produto. Use a ferramenta eléctrica correcta para a sua aplicação.** A ferramenta fará o seu trabalho melhor e de forma mais segura trabalhando ao ritmo para que foi concebida.





- **Não use uma ferramenta caso o interruptor não ligue e desligue a ferramenta eléctrica correctamente.** Qualquer ferramenta eléctrica que não possa ser controlada com o interruptor é perigosa e deve ser reparada.
- **Desligue a ficha da alimentação eléctrica e/ou a bateria da ferramenta antes de proceder a quaisquer ajustes, substituição de acessórios ou de armazenar a ferramenta.** Estas medidas de segurança preventivas reduzem o risco de arranque acidental da ferramenta eléctrica.
- **Armazene as ferramentas eléctricas fora do alcance das crianças e não permita que pessoas não familiarizadas com a ferramenta eléctrica ou com estas instruções utilizem a ferramenta eléctrica.** As ferramentas eléctricas são perigosas nas mãos de utilizadores inexperientes.
- **Realize a manutenção das ferramentas eléctricas.** Verifique se existe desalinhamento ou emperramento das peças móveis, ruptura das peças e qualquer outra condição que possa ter afectado o funcionamento da ferramenta eléctrica. Se danificado, mande a ferramenta eléctrica ser reparada antes de a utilizar. Muitos acidentes são causados por ferramentas eléctricas com fracas manutenções.
- **Mantenha as ferramentas de corte afiadas e limpas.** É menos provável que as ferramentas de corte com uma correcta manutenção e com pontas de corte afiadas fiquem presas e são mais fáceis de controlar.
- **Utilize a ferramenta, acessórios, peças eléctricas, etc., de acordo com estas instruções, tendo em conta as condições de trabalho e o trabalho que se vai realizar.** O uso da ferramenta eléctrica para as operações diferentes daquelas a que se destina podem causar uma situação perigosa.

## UTILIZAÇÃO E MANUTENÇÃO DA BATERIA

- **Recarregue apenas com o carregador especificado pelo fabricante.** Um carregador que seja adequado para um tipo de bateria pode causar risco de incêndio, quando utilizado com outra bateria.
- **Use ferramentas eléctricas somente com baterias especificamente concebidas.** O uso de qualquer outro tipo de bateria pode causar risco de lesões e incêndio.
- **Quando a bateria não estiver a ser utilizada, mantenha-a afastada de outros objectos metálicos como cliques de papel, moedas, chaves, pregos, parafusos, ou outros pequenos objectos metálicos que podem fazer a ligação de um terminal para outro.** Ligar os terminais da bateria em conjunto pode causar queimaduras ou um incêndio.
- **Sob circunstâncias abusivas, o líquido pode ser ejectado da bateria, evite o contacto. Se o contacto ocorrer acidentalmente, limpe com água abundante. Se o líquido entrar em contacto com os olhos, procure adicionalmente assistência médica.** O líquido ejectado da bateria pode causar irritação ou queimaduras.

## MANUTENÇÃO

- **A manutenção da sua ferramenta eléctrica deve ser efectuada por uma pessoa qualificada para reparações, utilizando apenas peças de substituição idênticas.** Isto assegurará que a segurança da ferramenta eléctrica é mantida.

## ALERTAS DE SEGURANÇA DO CORTA-SEBES

- **Mantenha todas as partes do corpo afastadas da lâmina de corte. Não remova o material de corte ou segure o material a ser cortado quando as lâminas se encontram em movimento.** Certifique-se que o interruptor está desligado ao libertar material encravado. Um momento de desatenção enquanto opera o produto pode resultar em ferimentos graves.
- **Transporte o aparador de pontas pela pega com a lâmina de corte parada. Ao transportar ou guardar o aparador de pontas, instale sempre a cobertura do dispositivo de corte.** O manuseamento adequado do aparador de pontas reduzirá as possíveis lesões pessoais causadas pelas lâminas de corte.
- **Segure na ferramenta apenas pela pega isolante, uma vez que a lâmina de corte pode conter fios ocultos.** As lâminas de corte que entrem em contacto com um cabo com corrente podem fazer com que as peças metálicas da ferramenta eléctrica conectada fiquem expostas, o que poderia provocar um choque eléctrico para o operador.

## AVISOS DE SEGURANÇA ADICIONAIS

- Algumas regiões têm normas que restringem o uso do produto para algumas operações. Consulte a sua autoridade local para obter informação. Leia todas as instruções
- Desimpeça a área onde pretende trabalhar antes de cada utilização. Retire todos os objetos, cabos, luzes, arames ou correntes que possam lançar ou encravar nas partes cortantes.
- Verifique que não há objetos estranhos nas sebes, tais como arames.
- Tenha mais cuidado quando utilizar o produto junto a vedações, postes, edifícios ou outros objectos imóveis.
- Tenha cuidado com os objetos que são atirados; mantenha todos os transeuntes, crianças e animais afastados pelo menos 15 m da zona de trabalho.
- Não permita que crianças ou indivíduos inexperientes entrem em contacto com este produto.
- Não utilize esta ferramenta numa zona com pouca luz. O operador necessita de uma visão clara da área de trabalho para identificar potenciais perigos.
- Assegure-se sempre que todas as pegas e protecções se encontram instaladas na máquina. Nunca tente utilizar um produto incompleto nem um produto com uma modificação não autorizada.
- Certifique-se antes de cada uso que todos os controlos e dispositivos de segurança funcionam corretamente. Não utilize a ferramenta se o interruptor "off" não parar o aparelho.
- Inspeccione a máquina antes de cada uso. Verifique se



não existem fixadores soltos. Assegure-se de que todas as protecções e cabos estão unidos de forma correcta e segura. Substitua qualquer peça danificada antes da utilização. Verifique se existem fugas na bateria.

- Não faça nenhuma modificação ao produto.
- Use óculos de protecção total para os olhos e ouvidos ao utilizar este produto. Ao trabalhar numa área onde haja um risco de queda de objectos, tem que se usar uma protecção para a cabeça.
- Use luvas, botas e calças resistentes. Não utilize roupa larga, calções, joias nem utilize com os pés descalços.
- Prenda o cabelo comprido para que fique acima do nível dos ombros para evitar que fique emaranhado em peças móveis.
- O uso da protecção auditiva reduz a sua capacidade de ouvir avisos (gritos ou alarmes). O operador deve prestar atenção extra àquilo que está a acontecer na área de trabalho.
- Operar ferramentas similares nas proximidades aumenta tanto o risco de lesão auditiva e o potencial para outras pessoas entrarem na sua área de trabalho.
- Não opere este produto se estiver cansado ou sob a influência de drogas, álcool ou medicamentos.
- Mantenha-se bem apoiado e equilibrado. Não se aproxime em demasia. Ao esticar-se para chegar a algo, pode perder o equilíbrio ou ser exposto a superfícies quentes.
- Mantenha qualquer peça em movimento longe do seu próprio corpo.
- Antes de arrancar a máquina, assegure-se de que as lâminas de corte não entram em contacto com nenhum objeto.
- Quando manipular um corta-sebes, segure-o firmemente com ambas mãos através das suas asas e assegure-se de que a posição de funcionamento é segura. O fabricante não recomenda o uso de degraus ou escadas. É preciso cortar a partir de uma posição mais alta, utilize uma ferramenta de alcance extensível.
- As lâminas são afiadas. Ao segurar o conjunto da lâmina, use luvas protetoras reforçadas anti-deslizantes. Não coloque as suas mãos ou dedos entre as lâminas nem em nenhuma posição onde possam ficar atacadados ou ser cortados. Nunca toque na lâmina nem efetue manutenção no aparelho sem primeiro retirar a bateria.
- Desligue e retire a bateria antes de:
  - ajustamento da posição de trabalho do dispositivo de corte
  - limpeza e desobstrução de bloqueio
  - deixar o produto sem vigilância
  - verificar, fazer a manutenção ou funcionar com o produto
- Não force o cortador de sebes introduzindo-o em arbustos muito pesados. Isto pode fazer com que as lâminas prendam e abrandem. Se as lâminas abrandarem, reduza o ritmo.
- Não tente cortar caules ou galhos com espessura superior a 18 mm (RHT1851R15, RHT1851R20, RHT1851R25, OHT1851R), 22 mm (RHT1855R40,

OHT1855R), ou daqueles que são claramente demasiado grandes para passarem pela lâmina de corte. Use uma serra manual não motorizada ou uma serra de desbaste para aparar os caules maiores.

- Não opere a máquina com um dispositivo de corte danificado ou excessivamente desgastado.

#### ⚠ ADVERTÊNCIA

Se o aparelho cair, sofrer um impacto forte ou começar a vibrar de maneira anormal, pare-o imediatamente e verifique se está danificado ou identifique o motivo da vibração. Qualquer dano deve ser devidamente reparado ou substituído por um centro de assistência autorizado.

#### TRANSPORTE E ARMAZENAMENTO

- Pare o produto, retire a bateria e deixe que ambos arrefeçam antes de guardar ou de transportar.
- Limpe todos os materiais estranhos do produto. Guarde-o num local fresco e seco e bem ventilado a que as crianças não consigam aceder. Para maior segurança, guarde a bateria e o corta-sebes em separado. Mantenha-o afastado de substâncias corrosivas, tais como produtos químicos utilizados em jardinagem e sais de descongelação. Não armazenar ao ar livre.
- Cubra a lâmina com a devida protecção antes de a guardar, ou durante o transporte da mesma.
- Para transportar, prenda o aparelho de modo a evitar que este se mova ou caia, para evitar lesões ou danos no produto.

#### TRANSPORTE DE BATERIAS DE LÍTIU

Transporte as baterias em conformidade com as disposições e regulamentos locais e nacionais.

Siga todos os requisitos especiais na embalagem e rótulos ao transportar baterias por um terceiro. Certifique-se de que nenhuma bateria pode entrar em contacto com outras baterias ou materiais condutores durante o transporte protegendo os conectores expostos com tampas ou fita isoladora e não condutora. Não transporte baterias que estejam rachadas ou com fugas. Confirme com a empresa de envio para mais conselhos.

#### MANUTENÇÃO

#### ⚠ ADVERTÊNCIA

Utilize apenas peças de substituição, acessórios e encaixes do fabricante original. A inobservância desta indicação pode causar um fraco desempenho, possíveis lesões e poderá anular a sua garantia.

### ADVERTÊNCIA

Os serviços de manutenção requerem extremo cuidado e conhecimentos e devem apenas ser realizado por um técnico de assistência qualificado. Para assistência, sugerimos que devolva o produto ao seu centro de assistência autorizado mais próximo para reparação. Ao realizar serviços de manutenção, use apenas peças de substituição idênticas.

### ADVERTÊNCIA

As lâminas estão afiadas. Para evitar lesões pessoais, tenha muito cuidado ao limpar, lubrificar e montar ou desmontar o protetor da lâmina.

- Retire a bateria antes de qualquer operação de ajuste, manutenção ou limpeza.
- Pode realizar os ajustes e reparações descritos neste manual do utilizador. Para outro tipo de reparações entre em contacto com um agente de serviço autorizado.
- Após cada utilização, limpe a estrutura e as pegas do aparelho com um pano seco e macio.
- Após cada utilização, limpe os detritos das lâminas com uma escova dura e, em seguida, aplique cuidadosamente um lubrificante que previne a ferrugem antes de voltar a colocar o protetor de lâmina. O fabricante recomenda-lhe que utilize um pulverizador lubrificante e preventivo contra ferrugem a aplicar numa distribuição uniforme e reduzir assim o risco de lesões do contacto com as lâminas. Para mais informações sobre o produto pulverizador apropriado, verifique com o seu centro de assistência autorizado local.
- Poderá desejar lubrificar as lâminas ligeiramente antes da utilização, se necessário, usando o método acima.
- Verifique todas as porcas, pregos e parafusos com intervalos frequentes para confirmar a tensão apropriada e se certificar que o produto está em condições seguras de funcionamento. Qualquer peça danificada deve ser substituída ou reparada adequadamente por um centro de serviço autorizado.

### RISCOS RESIDUAIS:

Mesmo quando se utiliza o produto segundo as instruções, continua a ser impossível eliminar por completo certos fatores de risco residuais. Os seguintes perigos podem surgir na utilização e o operador deve prestar especial atenção para evitar o seguinte:

- dano produzido por contacto com as lâminas
  - O contacto com as lâminas pode causar lesões graves. Mantenha a lâmina afastada de si e dos outros. Cubra-as com o protetor de lâminas sempre que não estiver a cortar.
- Lesões por vibração.
  - Use sempre a ferramenta certa para o trabalho, use pegas concebidas e restrinja o tempo e exposição de trabalho.
- Danos auditivos causados pela exposição ao ruído.
  - Use proteção para os ouvidos e limite o tempo de exposição.

### REDUÇÃO DO RISCO

Foi reportado que as vibrações das ferramentas de mão podem contribuir para uma doença designada de Síndrome de Raynaud em determinados indivíduos. Os sintomas podem incluir formigueiro, entorpecimento e empalidecimento dos dedos, habitualmente visível aquando da exposição ao frio. Estima-se que os fatores hereditários, exposição ao frio e humidade, dieta, tabagismo e práticas de trabalho contribuem todos para o desenvolvimento destes sintomas. Existem medidas que podem ser tomadas pelo operador para possivelmente reduzir os efeitos da vibração:

- Mantenha o seu corpo quente durante o tempo frio. Ao operar o produto, use luvas para manter as mãos e os pulsos quentes.
- Após cada período de operação, exercite para aumentar a circulação sanguínea.
- Faça pausas frequentes no trabalho. Limite o tempo de exposição por dia.

Caso sinta algum dos sintomas desta doença, interrompa de imediato a sua utilização e consulte o seu médico sobre estes sintomas.

### ADVERTÊNCIA

O uso prolongado de uma ferramenta pode causar o agravar lesões. Ao usar qualquer ferramenta durante períodos prolongados, assegure-se que faz intervalos regulares.

### DESCRIÇÃO

Ver a página 128.

### PEÇAS

1. Pega traseira
2. Gatilho
3. Botão de bloqueio da rotação da pega
4. Pega frontal
5. Interruptor de presença do operador
6. Anteparo de protecção
7. Varredor de detritos HedgeSweep™
8. Lâmina
9. Cobertura da lâmina
10. Bateria
11. Botão de fixação da bateria
12. Carregador

### SÍMBOLOS NO PRODUTO



Aviso



Agradecemos que leia atentamente as instruções antes de iniciar a máquina.



Use protecção para os ouvidos



Usar protecção para os olhos



Segure sempre o corta-sebes com ambas as mãos quando o estiver a utilizar.



Use luvas de trabalho resistentes, antideslizantes.



Para prevenir lesões graves, não toque nas lâminas de corte



Não o exponha à chuva ou a condições de humidade.



Tenha cuidado com os objectos voláteis ou lançados. Mantenha todos os espectadores, especialmente crianças e animais de estimação, a pelo menos 15 m da área de funcionamento.



Esta ferramenta obedece a todas as normas regulamentares do país da UE onde foi comprada.



Marca de conformidade EurAsian



Marca de conformidade ucraniana



O nível garantido de potência sonora mostrado neste rótulo é de 94 dB.



Os aparelhos eléctricos antigos não devem ser eliminados juntamente com o lixo doméstico. Recicle onde existem instalações para o efeito. Verifique com as suas Autoridades Locais ou revendedor para obter informações sobre reciclagem.

## SÍMBOLOS NESTE MANUAL



As peças ou acessórios vendem-se separadamente



Nota



Aviso

As seguintes palavras de sinal e significados destinam-se a explicar os níveis de risco associados a este produto.

### PERIGO

Indica uma situação perigosa iminente, que, se não evitada, poderá resultar em morte ou ferimentos graves.

### ADVERTÊNCIA

Indica uma situação potencialmente perigosa, que, se não evitada, poderá conduzir à morte ou graves lesões.

### ADVERTÊNCIA

Indica uma situação potencialmente perigosa, que, se não evitada, poderá resultar em pequenas ou moderadas lesões.

### ADVERTÊNCIA

Sem símbolo de alerta de segurança

Indica uma situação que pode resultar em danos de propriedade.



Sikkerhed, ydelse og driftssikkerhed har fået topprioritet i designet af din ledningsfri hækkeklipper.

### TILTÆNKT ANVENDELSESFORMÅL

Produktet er kun beregnet til udendørs brug. Af sikkerhedsmæssige årsager skal produktet betjenes med to hænder, så man kan kontrollere det ordentligt.

Produktet er beregnet til privat eller hjemlig brug. Det er beregnet til at klippe og trimme hække, buske og lignende vegetation.

Bør anvendes under tørre, godt oplyste forhold.

Det er IKKE beregnet til klipping af græs, træer eller grene. Det bør ikke bruges til andre formål end hækkeklipping.

### GENERELLE SIKKERHEDSADVARSLER FOR EL-VÆRKTØJ

#### ⚠ ADVARSEL

**Alle sikkerhedsadvarsler og alle anvisninger skal læses.** Manglende overholdelse af advarslene og anvisningerne kan medføre elektrisk stød, brand og/eller alvorlige personskader. Gem vejledningen med advarsler og anvisninger til senere oplag.

Med udtrykket "elværktøj" i advarslerne henvises til dit lysnet-drevne (via ledning) elværktøj eller batteridrevne (ledningsfri) elværktøj.

### ARBEJDSOMGIVELSER

- **Hold arbejdsområdet rent og godt oplyst.** Rodede eller mørke områder inviterer til ulykker.
- **Brug ikke elværktøjer i eksplosive omgivelser som fx i nærheden af brandbar væske, gas eller støv.** Elværktøjer udløser gnister, som kan antænde støvet eller dampene.
- **Der må ikke være børn og tilskuere i nærheden, når et elværktøj anvendes.** Distractioner kan medføre, at du mister kontrollen.

### ELEKTRISK SIKKERHED

- **Elværktøjets elstik skal passe til elnetkontakten.** Elstikket må aldrig modificeres på nogen som helst måde. Undlad brug af adapterstik til jordede (stelforbundne) elværktøjer. Umodificerede elstik og passende elnetkontakter reducerer faren for elektrisk stød.
- **Undgå kropskontakt med jordede eller stelforbundne overflader som fx rør, radiatorer, komfurer og køleskabe.** Der er forøget risiko for elektrisk stød, hvis din krop er forbundet med jord eller stel.
- **Dette produkt må ikke udsættes for regn eller fugt.** Hvis der trænger vand ind i et elværktøj, øges faren for elektrisk stød.
- **Undlad at misbruge ledningen.** Ledningen må aldrig bruges til at bære eller trække i elværktøjet eller til at trække stikket ud. Ledningen må ikke komme i nærheden af varme, olie, skarpe kanter eller bevægelige dele. Beskadigede eller sammenfiltrede

ledninger øger faren for elektrisk stød.

- **Når et elværktøj anvendes i det fri, skal der bruges en forlængerledning, der er egnet til udendørs brug.** Brug af ledninger beregnet til udendørs brug reducerer faren for elektrisk stød.
- **Hvis man er nødt til at bruge et elværktøj i fugtige omgivelser, skal strømforsyningen have en fejlstrømsafbryder (RCD-afbryder).** Brug af fejlstrømsafbryder reducerer faren for elektrisk stød.

### PERSONLIG SIKKERHED

- **Når man bruger et elværktøj, skal man være agtpågivende, iagttage hvad man gør og bruge sund fornuft. Undlad at bruge et elværktøj, hvis du er træt eller påvirket af narkotika, alkohol eller medikamenter.** Et øjeblik uopmærksomhed under brug af motoriserede værktøjer kan medføre alvorlige personskader.
- **Brug personlige værnemidler. Brug altid øjenværn.** Værnemidler som fx støvmaske, skridfast sikkerhedsfodtøj, hjelm eller høreværn anvendt korrekt i forhold til de givne forhold reducerer faren for personskader.
- **Forebyg utilsigtet start. Kontrollér, at kontakten er i pos. OFF (=slukket), inden værktøjet sluttes til strømkilde og/eller batteri, samles op eller bæres.** At bære elværktøjer med fingeren på kontakten eller at slutte strøm til elværktøjer med tændt kontakt er at invitere til ulykker.
- **Fjern evt. skruenøgler, inden der tændes for elværktøjet.** En efterladt skruenøgle fastgjort til en roterende del af elværktøjet kan medføre personskader.
- **Overstræk ikke. Sørg for altid at have godt fodfæste og god balance.** Dette giver bedre kontrol over elværktøjet i uventede situationer.
- **Vær ordentligt klædt på. Bær ikke løftsiddende tøj eller smykker. Sørg for, at hår, tøj og handsker ikke kommer i nærheden af bevægelige dele.** Løstsiddende tøj, smykker eller langt hår kan hænge fast i bevægelige dele.
- **Hvis der findes anordninger for tilslutning af støvudsugnings- og -opsamlingsudstyr, skal disse tilsluttes og anvendes korrekt.** Brug af støvopsamling kan reducere støvrelaterede faremomenter.

### BRUG OG PLEJE AF ELVÆRKTØJ

- **Undlad at tvinge produktet. Brug elværktøjet til det tiltænkte anvendelsesformål.** Det korrekte elværktøj klarer opgaven bedre og sikrere med den hastighed, det er designet til.
- **Elværktøjet må ikke tages i brug, hvis TÆND/SLUK-kontakten ikke virker.** Et elværktøj, der ikke kan kontrolleres med TÆND/SLUK-kontakten, er farligt og skal repareres.
- **Inden udførelse af justeringer, udskiftning af tilbehør eller opbevaring af elværktøjer skal elstikket trækkes ud af elnetkontakten, og/eller batteriet skal tages ud af elværktøjet.** Disse forebyggende sikkerhedsforanstaltninger reducerer faren for utilsigtet start af elværktøjet.





- Når elværktøjer ikke bruges, skal de opbevares utilgængeligt for børn; personer, som ikke er fortrolige med elværktøjet eller denne brugsanvisning, må ikke anvende elværktøjet. Elværktøjer er farlige i hænderne på ukyndige brugere.
- Elværktøjer skal vedligeholdes. Kontrollér, om der er forkeret indjusterede eller forbundne bevægelige dele, afbrækkede dele samt andre tilstande, som kan påvirke elværktøjets funktionsmåde. Hvis der konstateres skader, skal elværktøjet repareres inden brug. Mange ulykker skyldes dårligt vedligeholdte elværktøjer.
- Skærende værktøjer skal holdes skarpe og rene. Korrekt vedligeholdte skærende værktøjer med skarpe skær er mindre tilbøjelige til at binde/blokere og er lettere at kontrollere.
- Brug elværktøjet, tilbehøret og værktøjs-bits osv. som foreskrevet i denne brugsanvisning, og tag højde for arbejdsforholdene og den aktuelle arbejdsopgave. Brug af elværktøjet i strid med de tiltænkte anvendelsesformål kan medføre farlige situationer.

#### BRUG OG PLEJE AF BATTERIVÆRKTØJ

- Opladning må kun finde sted med den af producenten foreskrevne oplader. En oplader, der er beregnet til én type batteri, kan udgøre en brandrisiko, hvis den bruges til en anden batteritype.
- Brug kun elværktøjer sammen med specifikt godkendte batterier. Brug af andre batterityper kan medføre fare for personskade og brand.
- Når batteriet ikke bruges, må det ikke opbevares sammen med metalgenstande som fx papirclips, mønter, nøgler, søm, skruer eller andre metalgenstande, som kan skabe forbindelse mellem batteriets poler. Hvis batteriets poler kortsluttes, kan det forårsage forbrændinger eller ildebrand.
- Hvis batteriet misbruges, kan der sprøjte væske ud af det; undgå kontakt med batterivæsken. Ved kontakt med batterivæsken skylles med vand. Hvis der kommer væske i øjnene, søges desuden læge. Udsprøjtet batterivæske kan forårsage irritation eller forbrændinger.

#### VEDLIGEHOLDELSE

- Sørg for, at elværktøjet serviceres af en kvalificeret reparatør, som kun benytter sig af originale reservedele. Herved garanteres sikkerheden for elproduktet.

#### SIKKERHEDSADVARSLER VEDR. HÆKKEKLIPPEREN

- Hold alle legemsdele på afstand af kniven. Forsøg ikke at fjerne afklippet materiale eller holde om materiale, der skal klippes, mens knivene er i bevægelse. Kontrollér, at kontakten er slukket, når du fjerner fastsiddende materiale. Et øjeblikks uopmærksomhed under anvendelse af produktet kan medføre alvorlige personskader.
- Bær hækkeklipperen i håndtaget, mens kniven er

standset. Når hækkeklipperen transporteres eller opbevares, skal man altid påsætte skeden. Korrekt håndtering af hækkeklipperen nedsætter faren for personskader i forbindelse med knivene.

- Elværktøjet må kun holdes i de isolerede gribeblader, da klingens kan komme i kontakt med skjulte ledninger. Klinger, som kommer i kontakt med en strømførende ledning, kan gøre udsatte metaldele på elværktøjet strømførende og kan give operatøren elektrisk stød.

#### EKSTRA SIKKERHEDSADVARSLER

- Nogle områder har regler, som begrænser brugen af produktet til visse formål. Forhør dig hos de lokale myndigheder. Læs alle anvisningerne
- Ryd arbejdsområdet inden hver ibrugtagning. Fjern alle objekter som fx ledninger, lamper, kabler eller snore, som kan blive udslyngtet eller viklet ind i knivene.
- Kontrollér hækken for fremmedlegemer som fx ståltrådshegn.
- Udvis ekstra forsigtighed, når du anvender produktet i nærheden af hegn, pæle, bygninger eller andre faste genstande.
- Pas på udslyngede genstande; hold alle tilskuere, børn og kæledyr mindst 15 m væk fra arbejdsområdet.
- Lad ikke børn eller uskolede personer bruge dette produkt.
- Må ikke anvendes under dårlige lysforhold. Operatøren skal have tydeligt overblik over arbejdsområdet, så han/hun kan identificere evt. faremomenter.
- Når du bruger maskinen, skal du kontrollere, at alle håndtag og skærme er monteret korrekt. Forsøg aldrig at bruge et ukomplet produkt eller et produkt, der er ændret uden godkendelse.
- Inden hver brug skal man kontrollere, at alle betjeningslementer og alt sikkerhedsudstyr fungerer upåklageligt. Undlad at bruge værktøjet, hvis produktet ikke kan standses med "SLUK"-kontakten.
- Husk altid at inspicere maskinen inden brug. Kontrollér for løse fastgørelseslementer. Kontrollér, at alle skærme, og håndtag er fastgjort ordentligt og sikkert. Udskift evt. beskadede dele inden brug. Kontrollér for batterilækager.
- Du må ikke ændre produktet på nogen måde.
- Benyt fuldt øjen- og høreværn under arbejde med dette produkt. Hvis der arbejdes i et område med fare for nedfaldende genstande, skal der bæres hovedværn.
- Bær kraftige, lange bukser, støvler og handsker. Undlad at bære løstsiddende tøj, korte bukser, smykker af enhver art eller gå barfodet.
- Langt hår skal bindes op over skulderniveau, så det ikke risikerer at vikle sig ind i bevægelige dele.
- Vær opmærksom på, at høreværn begrænser evnen til at høre advarsler (alarmer eller råb). Operatøren skal være ekstra opmærksom på, hvad der sker i arbejdsområdet.
- Brug af lignende værktøjer i nærheden øger både risikoen for høreskader og for, at uvedkommende personer kommer ind i dit arbejdsområde.





EN
FR
DE
ES
IT
NL
PT
<b>DA</b>
SV
FI
NO
RU
PL
CS
HU
RO
LV
LT
ET
HR
SL
SK
BG
UK
TR

- Undlad at bruge dette produkt, hvis du er træt, syg eller påvirket af alkohol, narkotika eller medikamenter.
- Hold et godt fodfæste og balance. Overstræk ikke. Ved at læne sig for langt frem kan man miste balancen eller på anden måde udsætte sig for varme overflader.
- Hold alle legemsdele på afstand af alle bevægelige dele.
- Inden man starter maskinen, skal man sikre sig, at klippeknivene ikke kommer i kontakt med noget.
- Når man benytter hækkeklipperen, skal man altid holde den godt fast med begge hænder og sørge for at stå i en sikker og bekvem arbejdsstilling. Producenten anbefaler ikke, at man benytter skamlere eller stiger. Hvis hækkeklipperen skal anvendes højere op, skal man benytte et hertil indrettet redskab, med hvilket man kan forlænge sin rækkevidde.
- Knivene er skarpe. Ved håndtering af knivmodulet skal man benytte skridsikre, kraftige beskyttelseshandsker. Undlad at anbringe hånden eller fingrene mellem knive eller i en position, hvor de kunne blive klemt eller afklippet. Undgå at røre ved kniven eller serviceenheden, før batteriet er taget ud.
- Sluk produktet, og tag batteriet ud inden:
  - justering af klippeudstyrets arbejdsposition
  - rengøre eller fjerne en blokering
  - at efterlade produktet uden opsyn
  - kontrol, vedligeholdelse eller arbejde på produktet
- Undgå at tvinge hækkeklipperen gennem tæt buskads. Dette kan få knivene til at blokere eller køre langsommere. Hvis knivene kører langsommere, reducerer man bevægelsestempoet.
- Forsøg ikke at klippe stammer eller kviste, der er tykkere end 18 mm (RHT1851R15, RHT1851R20, RHT1851R25, OHT1851R), 22 mm (RHT1855R40, OHT1855R), eller som tydeligvis er for tykke til at komme ind i klippekniiven. Brug en manuel håndsav eller beskæringssav til klipping af lange stammer.
- Undlad at bruge maskinen med beskadiget eller meget slidt klippeudstyr.

#### **⚠ ADVARSEL**

Hvis produktet tabes, udsættes for stød eller begynder at vibrere unormalt, skal man omgående stoppe det og inspicere det for skader eller lokalisere årsagen til vibrationen. Enhver beskadiget del skal repareres ordentligt eller udskiftes på et autoriseret servicecenter.

#### **TRANSPORT OG OPBEVARING**

- Stop produktet, fjern batteriet, og lad begge dele køle af inden opbevaring eller transport.
- Afrens alle fremmedlegemer fra produktet. Opbevar den på et køligt, tørt og godt ventileret sted utilgængeligt for børn. For at være på den sikre side skal batteriet opbevares separat fra hækkeklipperen. Opbevar motorsaven på afstand af ætsende midler som f.eks. havekemikalier og optønings salt. Må ikke opbevares udendørs.

- Beskyt klingens med klingebeskytteren inden opbevaring af produktet - eller under transport.
- Til transport skal man sikre produktet, så den ikke kan bevæge sig eller vælte; dette for at forebygge personskader eller skader på produktet.

#### **TRANSPORT AF LITHIUM-BATTERIER**

Batterier skal transporteres i henhold til lokale og nationale forskrifter og love.

Når batterier skal transporteres af tredjepart, skal alle specielle krav til emballering og mærkning efterleves. Man skal sikre sig, at ingen batterier kan komme i kontakt med andre batterier eller ledende materialer under transporten ved at beskytte blottede konnektorer med isolerende, ikke-ledende hætter eller tape. Undlad at transportere batterier med revner eller utætheder. Rådfør dig desuden hos speditøren.

#### **VEDLIGEHOLDELSE**

##### **⚠ ADVARSEL**

Brug kun originale reservedele, ekstraudstyr og tilbehør fra producenten. I modsat fald er der fare for personskader, dårlig maskindelse og annullering af garantien.

##### **⚠ ADVARSEL**

Vedligeholdelse kræver stor omhyggelighed og viden og kun bør udføres af en kvalificeret tekniker. Vi anbefaler du leverer enheden tilbage til dit nærmeste autoriserede service center til reparation. Skal dele udskiftes må kun identiske reservedele anvendes.

##### **⚠ ADVARSEL**

Knivene er skarpe. For at forebygge personskader skal man være ekstremt forsigtig, når man rengør, smører, monterer eller fjerner knivbeskytteren.

- Husk at fjerne batteriet inden justering, vedligeholdelse eller rengøring.
- Du kan lave justeringer og reparationer beskrevet i denne brugervejledning. Til andre reparationsopgaver skal man kontakte den autoriserede servicemontør.
- Produktlegemet og -håndtagene skal rengøres med en blød klud efter hver brug.
- Efter hver brug skal man fjerne affald fra knivene med en stiv børste og derefter forsigtigt påføre rustbeskyttelsesmiddel, inden man genmonterer knivbeskytteren. Producenten anbefaler, at man bruger en rustbeskyttende smøremiddelspray, som fordeles jævnt og reducerer faren for personskade som følge af kontakt med knivene. For information mht. passende sprayprodukt henvises til det lokale autoriserede servicecenter.
- Hvis man evt. ønsker at smøre knivene en smule inden brug, skal man følge ovenstående fremgangsmåde.



- Tjek ofte alle møtrikker, bolte og skruer om de sidder godt fast, og sørg for at produktet fungerer ordentligt. Enhver del, som bliver beskadiget, skal repareres ordentligt eller udskiftes på et autoriseret servicecenter.

## UUNDGÅELIGE RISICI

Selv om produktet anvendes som foreskrevet, er det stadig umuligt at eliminere visse uundgåelige risikofaktorer fuldstændigt. Følgende risici kan opstå under brug, og operatøren bør være særligt opmærksom for at undgå følgende:

- personskade pga. kontakt med knivene
  - Kontakt med knivene kan forårsage alvorlige personskader. Kniven skal holdes på afstand af én selv og andre. Skal tildækkes med knivbeskytteren, når den ikke anvendes.
- Personskader forårsaget af vibration.
  - Brug altid det rigtige værktøj i forhold til arbejdsopgaven, benyt de hertil indrettede håndtag, og sørg for at begrænse arbejds- og eksponeringstiden.
- Fare for høreskader som følge af eksponering til støj.
  - Benyt høreværn, og begræns eksponering.

## RISIKOREDUKTION

Der er rapporteret om, at vibrationer fra håndholdte værktøjer kan være medvirkende til en lidelse kaldet Raynauds syndrom hos visse personer. Symptomerne herpå kan være prikken, følelsesløshed og blegning af fingrene, der normalt viser sig ved kuldepåvirkning. Faktorer som arvelighed, udsættelse for kulde og fugt, kost, rygning og arbejdsvaner menes alle at medvirke til udviklingen af disse symptomer. Der findes forholdsregler, som operatøren kan træffe for at begrænse påvirkningen fra vibrationer:

- Hold kroppen varm i koldt vejr. Brug handsker, så hænder og vriste holdes varme under arbejdet.
- Motionér efter hver arbejdsperiode for at øge blodcirkulationen.
- Hold hyppige arbejdspauser. Begræns eksponeringen for vibrationer pr. dag.

Hvis du mærker nogen af symptomerne på denne tilstand, skal du straks ophøre med arbejdet og søge læge.

## ⚠ ADVARSEL

Længere tids brug af et værktøj kan forårsage - eller forværre - personskader. Når man bruger et værktøj i længere perioder ad gangen, skal man huske at holde hyppige pauser.

## BESKRIVELSE

Se side 128.

### DELE

1. Baghåndtag
2. Udløser
3. Låseknop for drejehåndtag
4. Forhåndtag
5. Dødemandskontakt

6. Sikkerhedsskærm
7. HedgeSweep™-løvfjerner
8. Klinge
9. Knivdæksel
10. Batteri
11. Batteri-låseknop
12. Oplader

## SYMBOLER PÅ PRODUKTET



Sikkerheds Varsel



Læs venligst vejledningen grundigt igennem før maskinen tages i brug.



Bær høreværn



Benyt øjenværn



Hold altid hækkeklipperen med begge hænder under brug.



Brug friktionsfri, kraftige handsker.



For at undgå alvorlige personskader må man ikke røre knivene.



Må ikke udsættes for regn eller bruges på fugtige steder.



Pas på udslyngede eller flyvende objekter. Sørg for, at tilskuere (især børn og dyr) er mindst 15 m fra arbejdsområdet.



Dette redskab overholder alle lovkra v og standarder i det EU-land, hvor det er købt.



EurAsian overensstemmelsesmærke



Ukrainsk overensstemmelsesmærke



Det garanterede lydtrykkniveau vist på denne mærkat er 94 dB.



Elektriske affaldsprodukter bør ikke afskaffes sammen med husholdningsaffald. Genbrug venligst hvor faciliteterne tillader dette. Tjek med din lokale kommune eller forhandler for genbrugsråd.



**SYMBOLER I DENNE BRUGSANVISNING**



Dele eller tilbehør, der sælges separat



Bemærk



Advarsel

De følgende ikoner og betydninger er beregnet til at forklare risikoen involveret i at anvende denne enhed.

**⚠ FARE**

Indikerer en meget farlig situation, som hvis ikke undgås, kan føre til alvorlige skader og i værste fald døden.

**⚠ ADVARSEL**

Indikerer en potentielt farlig situation, som hvis ikke undgås, kan føre til alvorlige skader og i værste fald døden.

**⚠ PAS PÅ**

Indikerer en potentielt farlig situation, som hvis ikke undgås, kan føre til mindre eller moderate skader.

**PAS PÅ**

Uden sikkerhedsadvarselssymbol

Indikerer en situation, som kan medføre materiel skade.

Säkerhet, prestanda och pålitlighet har varit högsta prioritet vid design av din sladdlösa häcktrimmer.

### ANVÄNDNINGSSOMRÅDE

Produkten är enbart avsedd för utomhusbruk. Av säkerhetsskäl ska båda händerna användas för korrekt manövrering av produkten.

Produkten är avsedd för hemma- eller privat bruk. Det är avsett för att skära och trimma häckar, buskar och liknande växtlighet.

Det ska användas under torra, väl belysta förhållanden.

Det är INTE avsett för att klippa gräs, kapa träd eller skära grenar. Det ska inte användas för något annat än att klippa eller trimma häckar.

### ALLMÄNNA SÄKERHETSFORESKRIFTER FÖR ELVERKTYG

#### ⚠ VARNING

Läs alla säkerhetsvarningar och alla instruktioner. Om du inte följer varningarna och anvisningarna kan du orsaka elektrisk stöt, brand och allvarlig skada. Spara dessa varningar och instruktioner för senare behov.

Termen "kraftverktyg" i varningarna hänvisar till ditt eldrivna (med sladd) verktyg eller ditt batteridrivna (utan sladd) verktyg.

### ARBETSMILJÖ

- **Håll arbetsområdet rent och välupplyst.** Oordnade och mörka områden inbjuder till olyckor.
- **Använd inte kraftverktyg i explosiva atmosfärer, exempelvis i närheten av brännbara vätskor, gaser eller damm.** Kraftverktyg ger upphov till gnistor vilka kan antända damm eller ångor.
- **Håll barn och åskådare borta när du använder ett kraftverktyg.** Distractioner kan få dig att tappa kontrollen.

### ELSÄKERHET

- **Kraftverktygets kontakt måste matcha uttaget. Modifiera inte kontakten på något sätt. Använd inga adapterkontakter med jordade kraftverktyg.** Omodifierade kontakter och matchande uttag minskar risken för elektrisk stöt.
- **Undvik kroppskontakt med jordade ytor, som exempelvis rör, element, spis och kylskåp.** Det föreligger en förhöjd risk för elektrisk stöt om din kropp är jordad.
- **Exponera inte produkten för regn eller våta förhållanden.** Vatten som tränger in i ett kraftverktyg ökar risken för elektrisk stöt.
- **Misshandla inte sladden. Använd aldrig sladden för att bära, dra eller koppla bort kraftverktyget.** Håll sladden borta från värme, olja, vassa kanter och rörliga delar. Skadade eller intrasslade elsladdar ökar risken för elektrisk stöt.
- **Använd en förlängningssladd avsedd för utomhusbruk när du använder kraftverktyget**

**utomhus.** Användning av en sladd lämplig för utomhusbruk minskar risken för elektrisk stöt.

- **Använd en jordfelsbrytare om det är oundvikligt att använda ett kraftverktyg i en fuktig miljö.** Användningen av en jordfelsbrytare minskar risken för elektrisk stöt.

### PERSONLIG SÄKERHET

- **Var uppmärksam på vad du gör och använd sunt förnuft när du använder ett kraftverktyg. Använd inte ett kraftverktyg när du är trött eller påverkad av droger, alkohol eller mediciner.** Ett ögonblicks ouppmärksamhet när du använder kraftverktyg kan orsaka allvarlig personskada.
- **Använd skyddsutrustning. Bär alltid ögonskydd.** Skyddsutrustning, som exempelvis andningsskydd, halkskyddade säkerhetsskor, huvudskydd och hörselskydd minskar i tillämpliga fall risken för personskador.
- **Förhindra oavsiktlig start. Säkerställ att strömbrytaren är i av-läge innan du ansluter till uttaget och/eller batteripacket, innan du lyfter upp verktyget och innan du bär det.** Att bära kraftverktyg med fingret på avtryckaren eller kraftverktyg som är igång bjuder in olyckor.
- **Ta bort eventuella justerings- eller skiftnycklar innan du startar kraftverktyget.** En skiftnyckel eller justeringsnyckel som lämnas kvar i en roterande del av kraftverktyget kan orsaka personskada.
- **Sträck dig inte. Ha alltid ett bra fotfäste och en god balans.** Det ger dig bättre kontroll över kraftverktyget i oväntade situationer.
- **Klä dig korrekt. Använd inte löst åtsittande kläder eller smycken. Håll ditt hår, dina kläder och handskar borta från rörliga delar.** Lösittande kläder, smycken och långt hår kan fastna i rörliga delar.
- **Om några uppsamlingsenheter för damm och avfall medföljer ska dessa vara anslutna och användas på ett korrekt sätt.** Användningen av en dammuppsamlare kan minska dammrelaterade faror.

### ANVÄND OCH TA HAND OM KRAFTVERKTYGET

- **Tvinga inte produkten. Använd rätt kraftverktyg för ditt jobb.** Rätt kraftverktyg gör jobbet bättre och säkrare om det används i den takt som det är designat för.
- **Använd inte kraftverktyget om strömbrytaren inte fungerar för att stänga av och sätta på verktyget.** Alla kraftverktyg som inte kan kontrolleras med strömbrytaren är farliga och måste repareras.
- **Koppla bort kontakten från uttaget och/eller ta bort batteripacket från kraftverktyget innan du utför några justeringar, byter ut tillbehör eller förvarar kraftverktyget.** Sådana förebyggande åtgärder minskar risken för att kraftverktyget startar oavsiktligt.
- **Förvara avstängda kraftverktyg utom räckhåll för barn och låt inte personer som är obekanta med kraftverktyg, eller dessa instruktioner, använda kraftverktyget.** Kraftverktyg är farliga i händerna på otränade användare.



- **Underhåll dina kraftverktyg. Kontrollera så att inga rörliga delar är felinriktade eller sitter fast, att inga delar har gått sönder samt att ingenting annat föreligger som kan påverka kraftverktygets användning. Reparera kraftverktyget innan användning om det är skadat.** Många olyckor uppstår på grund av dåligt underhållna kraftverktyg.
- **Håll skärverktyg vassa och rena.** Korrekt underhållna skärverktyg med vassa skärkanter fastnar inte lika lätt och är lättare att kontrollera.
- **Använd kraftverktyget, tillbehören och borrspetsar etc. i enlighet med dessa anvisningar och ta hänsyn till arbetsförhållanden och det jobb som ska utföras.** Användning av kraftverktyget till andra saker än det är avsett för kan resultera i en farlig situation.

#### ANVÄNDNING OCH UNDERHÅLL AV BATTERIET

- **Använd endast den batteriladdare som tillverkaren rekommenderar.** En batteriladdare som passar en typ av batteripack kan vara en brandfara om den används med en annan typ av batteripack.
- **Använd eldrivna verktyg med batteripaket och är speciellt utformade för användning tillsammans med produkterna.** Om du använder andra batteripaket ökar du risken för skador och brand.
- **När batteripaketet inte används ska det hållas bort från metallföremål som gem, mynt, nycklar, spikar, skruvar och andra små metallföremål som kan kortsluta batteriets kontakter.** Vid kortslutning av batteriets kontakter finns det risk för brännskador eller brand.
- **Vätska kan läcka ut från batteripacket vid felaktig användning; undvik kontakt med vätskan. Spola med vatten om du kommer i kontakt med den. Uppsök omedelbart läkarhjälp om du får vätska i ögonen.** Den kan orsaka irritation och brännskador.

#### UNDERHÅLL

- **Låt en kvalificerad serviceperson serva ditt kraftverktyg med identiska utbytesdelar.** Detta säkerställer att kraftverktygets säkerhet bibehålls.

#### SÄKERHETSFORESKRIFTER FÖR HÄCKSAX

- **Se till att alla delar av kroppen hålls på avstånd från skärklingan. Ta inte bort avskuret material och håll inte i material som ska skäras då klingan är i rörelse. Se till att strömbrytaren är avslagen då intrasslat material tas bort.** Ett ögonblick av bristande uppmärksamhet vid användning av produkten kan innebära risk för allvarlig personskada.
- **Bär häcksaxen i handtaget när skärklingan är helt stoppad. Vid transport och förvaring av häcksaxen ska alltid skyddet träs på skärklingan.** Korrekt hantering av häcksaxen kommer att minska risken för personskada från skärklingan.
- **Håll verktyget enbart i det isolerade handtaget eftersom skärbladet kan komma i kontakt med dolda kablar.** Om klingan kommer i kontakt med "aktiv" ledning kan metalldelar exponeras och ge användaren en elektrisk stöt.

#### YTTERLIGARE SÄKERHETSFORESKRIFTER

- En del regioner har regelverk som begränsar produktens användning till vissa funktioner. Ta kontakt med lokala myndigheter för information. Läs alla anvisningar
- Rensa upp på arbetsområdet innan arbetet påbörjas. Ta bort alla föremål som kablar, lampor, rep eller trådar som kan trasslas in i skärklingan.
- Kontrollera häcken avseende främmande föremål som t.ex. trädstaket etc.
- Var extra försiktig vid användning av produkten nära staket, stolpar, byggnader eller andra fasta föremål.
- Se upp för kringflygande föremål; håll alla åskådare, barn och husdjur på minst 15 meters avstånd.
- Låt inte barn eller icke utbildade personer använda produkten.
- Använd endast i god belysning. Operatören måste ha god överblick över arbetsområdet för att upptäcka potentiella faror.
- Se alltid till att alla handtag och skydd sitter på när maskinen används. Försök aldrig att använda en ofullständig produkt eller en produkt som modifierats på ej auktoriserat sätt.
- Kontrollera före användning så att reglage och säkerhetsanordningar fungerar som de ska. Använd inte verktyget om "Off"-läget inte stoppar motorn.
- Se över maskinen inför varje användning. Kontrollera lösa fästen. Se till att alla skydd och handtag sitter fast ordentligt. Byt ut eventuella skadade delar före användning. Kontrollera läckor från batteriet.
- Ändra inte produkten på något sätt.
- Använd alltid ögon- och hörselskydd vid användning av produkten. Skyddshjälm ska användas på platser där det finns risk för fallande föremål.
- Bär grova, långa byxor, stövlar och handskar. Bär inte löst sittande kläder, korta byxor eller smycken. Ha skor på fötterna.
- Sätt upp hår som är längre än till axlarna så att det inte trasslas in i rörliga delar.
- När du använder hörselskydd minskar din förmåga att uppfatta varningar (skrik och alarm). Du måste vara extra uppmärksam på vad som sker i arbetsområdet.
- Användning av liknade maskiner i närheten ökar risken för både hörselskador och för andra personer i närheten av arbetsområdet.
- Använd inte produkten om du är trött, sjuk eller påverkad av alkohol, droger eller medicin.
- Bibehåll ett bra fotfäste och bra balans. Sträck dig inte. Om du sträcker dig kan du tappa balansen eller utsättas för varma ytor.
- Håll alla kroppsdelar borta från rörliga delar.
- Innan maskinen startas ska du se till att skärklingan inte är i kontakt med något.
- Vid användning av häcksaxen ska den hållas fast med båda händerna på handtagen och arbetsläget ska vara säkert och tryggt. Tillverkaren rekommenderar inte användning av stegar eller trappor. Om det ska klippas på högre höjd ska förlängningstillbehör användas.
- Bladen är vassa. Vid hantering av klingan ska du

EN
FR
DE
ES
IT
NL
PT
DA
<b>SV</b>
FI
NO
RU
PL
CS
HU
RO
LV
LT
ET
HR
SL
SK
BG
UK
TR



använda halkfria, grova skyddshandskar. Placera inte händer eller fingrar mellan bladen eller på något ställe där de kan klämmas eller skäras. Rör inte blad eller serviceenheten såvida inte batteriet är fränkopplat.

- Stäng av och ta bort batteriet före:
  - justera arbetsposition på skärenheten
  - rengöring eller rensning av ett stopp
  - att lämna produkten utan tillsyn
  - kontroll, underhåll eller arbete på maskinen
- Tvinga inte in häcktrimmern igenom grova buskar. Detta kan orsaka att knivbladen fastnar och saktar ned. Om knivarna saktar ned, reducera hastigheten
- Försök inte klippa stammar eller grenar som är tjockare än 18 mm (RHT1851R15, RHT1851R20, RHT1851R25, OHT1851R), 22 mm (RHT1855R40, OHT1855R), eller de som uppenbarligen är för grova för att få in i skärbladet. Använd en ej motordriven handsåg för att kapa grova stammar.
- Använd inte maskinen med en skadad eller utsliten skärdel.

#### ⚠ VARNING

Om produkten tappas, utsätts för hårda slag eller börjar vibrera onormalt mycket ska produkten omedelbart stoppas och kontrolleras för eventuella skador eller orsak till vibrationerna. Eventuella skador ska repareras ordentligt eller bytas ut av ett auktoriserat servicecenter.

#### TRANSPORT OCH FÖRVARING

- Stoppa produkten, ta ur batteriet och låt de båda svalna före transport eller förvaring.
- Ta bort allt främmande material från produkten. Förvara den svalt och välventilerat på en plats där barn inte kan komma åt den. För extra säkerhet, förvara batteriet separat från häcktrimmern. Förvara på avstånd från frätande medel, t.ex. trädgårdskemikalier och vägsalt. Förvara den inte utomhus.
- Täck bladet med bladskyddet innan du förvarar eller transporterar enheten.
- Vid transport ska produkten säkras mot rörelser eller fallande för att förhindra personskador eller att produkten skadas.

#### TRANSPORTERA LITIUMBATTERIER

Transportera batterier enligt lokala och nationella riktlinjer och regleringar.

Följ alla särskilda krav på förpackning och etikettering vid transport av batterier som utförs av tredje part. Se till att inga batterier kan komma i kontakt med andra batterier eller ledande material under transporten genom att skydda exponerade kontaktytor med isolerande, icke ledande överdrag eller tejp. Transportera aldrig batterier som har spruckit eller som läcker. Kontrollera med det transporterande företaget för vidare rådgivning.

#### UNDERHÅLL

#### ⚠ VARNING

Använd enbart ersättningsdelar och tillbehör från tillverkaren. Om inte kan det eventuellt orsaka skador, sämre resultat och kan upphäva garantin.

#### ⚠ VARNING

Att serva produkten kräver extrem försiktighet och kunskap och bör endast utföras av en kvalificerad servicetekniker. Vi rekommenderar att du returnerar produkten till ditt närmsta auktoriserade servicecenter för reparation. Använd endast identiska utbytesdelar när produkten servas.

#### ⚠ VARNING

Bladen är vassa. För att förhindra personskador ska stor försiktighet iakttas vid rengöring, smörjning och anpassning eller borttagning av bladskyddet.

- Ta bort batteriet före justeringar, underhåll och rengöring.
- Du kan göra de justeringar och reparationer som beskrivs i den här manualen. För alla andra reparationer ska godkänt servicecenter kontaktas.
- Efter varje användning ska produktens yttre och handtag rengöras med en torr, mjuk trasa.
- Efter varje användning ska skräp rensas bort från bladen med en styv borste, rostskyddsmedel appliceras och bladskyddet fästas på nytt. Tillverkaren rekommenderar användning av rostskyddsmedel i sprayform för jämn fördelning och mindre skaderisk vid kontakt med bladen. Information om lämpligt rostskyddspray finns hos auktoriserat servicecenter.
- Om du vill smörja bladen före användning ska samma metod användas.
- För att vara säker på att produkten är säker att använda, kontrollera alla muttrar, bultar och skruvar regelbundet för att säkerställa att de är åtdragna ordentligt. Skadade delar skall repareras ordentligt eller bytas ut av en auktoriserad servicefirma.

#### KVARSTÅENDE RISKER

Även om produkten används enligt instruktionerna går det inte att eliminera alla eventuella riskfaktorer. Följande risker kan uppkomma under bruk och användaren ska vara extra uppmärksam för att undvika följande:

- Skada från kontakt med skärkniven
  - Kontakt med bladen kan orsaka allvarig personskada. Håll bladet borta från dig själv och andra. Täck med bladskyddet när du inte använder produkten.
- Skada orsakad av vibration.
  - Använd alltid rätt verktyg för arbetet, håll ordentligt i handtagen och begränsa arbetstid och exponering.
- Hörselskada orsakad av oljud.
  - Använd hörselskydd och begränsa exponeringen.

## RISKMINSKNING

Det finns rapporter om att vibrationer från handhållna verktyg kan bidra till ett tillstånd som kallas Raynauds syndrom för vissa personer. Symptomen brukar vara att det sticker i fingrarna och att de domnar bort; fingrarna kan också bli vita, särskilt vid kyla. Ärftliga faktorer, kyla och fukt, diet, rökning och arbetsrutiner tros alla bidra till att orsaka dessa symptom. Det finns förebyggande åtgärder som du kan vidta för att försöka minska vibrationernas påverkan:

- Håll dig varm när du arbetar i kallt väder. Använd handskar för att hålla händer och handleder varma under användning.
- Träna och rör på dig efter varje användningstillfälle för att öka blodcirkulationen.
- Ta ofta pauser från arbetet. Begränsa tiden du utsätter dig varje dag.

Upphör omedelbart om du upplever några av dessa symptom och uppsök din läkare.

## ⚠ VARNING

Risk för person- eller slitageskador vid användning av verktyget under lång tid. Om verktyget används under längre perioder krävs regelbundna pauser.





## BESKRIVNING

Se sida 128.

### DELAR

1. Bakre handtag
2. Avtryckare
3. Låsknapp för handtagsrotation
4. Främre handtag
5. Brytare för operatörs närvaro
6. Skyddskåpa
7. HedgeSweep™ klippbortföraren
8. Blad
9. Bladskydd
10. Batteri
11. Knapp för batterispärr
12. Batteriladdare

## SYMBOLER PÅ PRODUKTEN

-  Säkerhetsvarning
-  Läs instruktionerna ordentligt innan start av maskinen.
-  Använd hörselskydd
-  Bär ögonskydd



Håll alltid häcktrimmern med båda händerna när du använder den.



Används halkfria, grova skyddshandskar.



För att undvika allvarlig personskada ska inte skärbladen vidröras.



Utsätt inte för regn eller våta omgivningar.



Se upp med kringkastade eller flygande föremål. Håll alla åskådare, barn och husdjur på minst 15 meters avstånd från arbetsområdet.



Detta verktyg uppfyller alla standarder i de EU-länder där det kan köpas.



EurAsian överensstämmelsesymbol



Ukrainskt märke för överensstämmelse



Den garanterade ljudnivån som visas på denna etikett är 94 dB.



Gamla elektroniska produkter ska inte kastas med hushållssoporna. Återvinn där sådana faciliteter finns. Kontrollera med din lokala myndighet eller säljaren för att få återvinningstips.

## SYMBOLER I MANUALEN



Delar och utrustning säljs separat



Notera



Varning

Följande signalord och betydelser är tänkta att förklara de olika risknivåerna som är associerade med denna produkt.

### ⚠ FARA

Indikerar en överhängande farlig situation som kan, om den inte undviks, resultera i dödsfall eller allvarlig skada.

### ⚠ VARNING

Indikerar en potentiellt farlig situation som kan, om den inte undviks, resultera i dödsfall eller allvarlig skada.



**⚠ PÅMINNELSE**

Indikerar en potentiellt farlig situation som kan, om den inte undviks, resultera i mindre eller medelstora skador.

**PÅMINNELSE**

Utan säkerhetssymbol

Visar på en situation som kan orsaka skada på egendom.



Johdottoman pensasleikkurin suunnittelussa on pidetty etusijalla turvallisuutta, suorituskykyä ja luotettavuutta.

## KÄYTTÖTARKOITUS

Tämä tuote on tarkoitettu yksinomaan ulkokäyttöön. Turvallisuuden varmistamiseksi tuotetta on ohjattava hallintakahvoilla kahdella kädellä.

Tuote on tarkoitettu kotikäyttöön. Se on tarkoitettu pensasaitojen, pensaikkojen ja vastaavien kasvien leikkaamiseen ja trimmaukseen.

Setä tulee käyttää kuivassa, hyvin valaistussa ympäristössä.

Sillä EI saa leikata ruohoa, puita eikä oksia. Sitä ei saa käyttää muuhun tarkoitukseen kuin pensaiden trimmaukseen.

## SÄHKÖTYÖKALUJEN YLEISIÄ TURVALLISUUSVAROITUKSIA

### VAROITUS

**Lue kaikki turvallisuusvaroitukset ja ohjeet.** Varoitusten ja ohjeiden laiminlyönnistä voi seurata sähköisku, tulipalo ja/tai vakava loukkaantuminen. Säilytä nämä varoitukset ja ohjeet myöhempiä tarvetta varten.

Sana "sähkötyökalu" viittaa varoituksissa verkkovirta- (langalliseen) tai akkukäyttöiseen (langattomaan) sähkötyökaluun.

## TYÖYMPÄRISTÖ

- **Pidä työalue siistinä ja valoisana.** Epäjärjestyksessä olevat ja pimeät alueet myötävaikuttavat onnettomuuksiin.
- **Älä käytä sähkötyökalua räjähdyssaltauksissa paikoissa, kuten helposti syttyvien nesteiden tai kaasujen tai pölyn läheisyydessä.** Sähkötyökalut kipinävät, mikä saattaa sytyttää pölyn tai höyryt.
- **Pidä lapset ja sivulliset loitolla, kun käytät sähkötyökaluja.** Häiriöt voivat saada koneen riistäytymään hallinnasta.

## SÄHKÖTURVALLISUUS

- **Pistokkeen on sovittava pistorasiaan.** Älä koskaan muunna pistoketta millään tavalla. Älä käytä maadoitettujen sähkötyökalujen kanssa minkäänlaisia sovittinpistokkeita. Alkuperäiset pistokkeet ja niitä vastaavat pistorasiat pienentävät sähköiskun vaaraa.
- **Älä kosketa maadoitettuihin pintoihin, kuten putkiin, lämpöpattereihin, helioihin tai jääkaappeihin.** Jos ruumiisi on maadoitettu, sähköiskun vaara on suurempi.
- **Älä altista tuotetta sateelle tai kosteudelle.** Sähkötyökaluun joutunut vesi kasvattaa sähköiskun vaaraa.
- **Pidä huolta sähköjohdosta.** Älä koskaan kannata vedä sähkötyökalua johdosta tai irrota pistoketta johdosta vetämällä. Pidä johto etäällä kuumista paikoista, öljyistä, terävistä kulmista ja liikkuvista

osista. Vioittunut tai takkuinen johto lisää sähköiskun vaaraa.

- **Kun käytät sähkötyökalua ulkotiloissa, käytä ulkokäyttöön sopivaa jatkojohtoa.** Ulkokäyttöön sopivan johdon käyttö pienentää sähköiskun vaaraa.
- **Jos sähkötyökalua on pakko käyttää kosteissa tiloissa, käytä jännönsvirtalaitteella (RCD) suojattua pistorasiaa.** RCD:n käyttö pienentää sähköiskun vaaraa.

## KÄYTTÄJÄN TURVALLISUUS

- **Ole valpas, katso mitä teet ja käytä maalaisjärkeä, kun käytät sähkötyökalua. Älä käytä sähkötyökalua väsyneenä tai huumeiden, alkoholin tai lääkkeiden vaikutuksen alaisena.** Tarkkaamattomuus sähkötyökalua käytettäessä saattaa johtaa vakavaan loukkaantumiseen.
- **Käytä henkilökohtaisia suojavarusteita.** Käytä aina suojalaseja. Suojalaitteet, kuten pölynaamari, luistamattomat suojakengät, kypärä ja kuulosuojaimet vähentävät loukkaantumisen vaaraa.
- **Älä anna koneen käynnistyä vahingossa.** Varmista, että katkaisin on poissa päältä, ennen kuin kytket koneen virtalähteeseen ja/tai akkuun ja ennen kuin nostat tai kannat konetta. Sähkötyökalun kantaminen sormi katkaisimella ja virran kytkeminen koneeseen, joka on päällä, saattaa johtaa onnettomuuksiin.
- **Irrota säätöavaimet ja jakoavaimet ennen sähkötyökalun käynnistystä.** Sähkötyökalun pyöriivään osaan jätetty jako- tai säätöavain saattaa johtaa loukkaantumiseen.
- **Älä kurkota liian pitkälle.** Pysyttele tukevasti jaloillasi äläkä kurkota käsivartta liian kauas. Tällöin sähkötyökalua on helpompi hallita odottamattomissa tilanteissa.
- **Älä pukeudu väliin vaatteisiin, kravattiin tai koruihin, jotka voivat juuttua liikkuviin osiin.** Älä käytä väliä vaatteita tai koruja. Pidä hiukset, vaatteet ja käsineet etäällä liikkuvista osista. Löysät vaatteet, korut ja pitkät hiukset saattavat tarttua liikkuviin osiin.
- **Jos laitetta varten on pölynpoisto- ja keräyslaite, kytke se asianmukaisesti ja käytä sitä oikein.** Pölyn kerääminen voi vähentää pölyn liittyviä vaaroja.

## SÄHKÖTYÖKALUN KÄYTTÖ JA HUOLTO

- **Älä pakota tuotetta.** Käytä työhön sopivaa sähkötyökalua. Asianmukainen sähkötyökalu hoitaa työt paremmin ja turvallisemmin sillä vauhilla, jota varten se on suunniteltu.
- **Älä käytä sähkötyökalua, jos se ei käynnisty ja sammu katkaisimesta.** Jos sähkötyökalua ei voida hallita katkaisimella, se on vaarallinen ja vaatii korjaamista.
- **Irrota pistoke virranlähteestä ja/tai akku työkoneesta, ennen kuin teet säätöjä, vaihdat varusteita tai varastoit koneen.** Tällaiset varoitimet pienentävät sitä vaaraa, että kone käynnistyisi vahingossa.
- **Varastoi sähkötyökalu pois lasten ulottuvilta äläkä**

EN

FR

DE

ES

IT

NL

PT

DA

SV

FI

NO

RU

PL

CS

HU

RO

LV

LT

ET

HR

SL

SK

BG

UK

TR



anna kenenkään, joka ei tunne työkonetta tai näitä ohjeita, käyttää sitä. Sähkötyökalut ovat vaarallisia kouluttamattomien käyttäjien käsissä.

- **Huolla sähkötyökalut.** Tarkista, että liikkuvat osat on kohdistettu oikein ja että ne liikkuvat kunnolla, että osia ei ole rikkoutunut ja että mikään muu seikka ei haittaa sähkötyökalun toimintaa. Jos sähkötyökalu viihtelee, korjaa se ennen käyttöä. Onnettomuudet johtuvat usein sähkötyökalujen huonosta huollosta.
- **Pidä leikkuutyökalut terävinä ja puhtaina.** Asianmukaisesti huolletut leikkuutyökalut, joiden leikkupinnat ovat teräviä, eivät jumiuudu helposti ja niitä on helppo hallita.
- **Käytä työkonetta, lisävarusteita, teriä jne. näiden ohjeiden mukaisesti, ja huomioi työolosuhteet ja tehtävän työn laatu.** Työkoneen käyttö muuhun kuin sille tarkoitettuun työhön voi aiheuttaa vaarallisia tilanteita.

#### AKKUKÄYTTÖISEN TYÖKALUN KÄYTTÖ JA HOITO

- **Käytä lataukseen ainoastaan valmistajan suosittelemaa laturia.** Yhden tyyppiselle akulle sopivan laturin käyttö toisenlaisen akun kanssa voi olla vaarallista.
- **Käytä sähkötyökalua ainoastaan sitä varten suunniteltujen akkujen kanssa.** Muiden akkujen käyttö voi johtaa loukkaantumiseen ja tulipaloon.
- **Kun akkua ei käytetä, pidä se erillään metalliesineistä, kuten paperiliittimistä, kolikoista, avaimista, nauloista, ruuveista ja muista pienistä metalliesineistä, jotka voivat yhdistää akun navat.** Akun napojen oikosulkeminen voi aiheuttaa palovammoja ja tulipalon.
- **Jos akkua käsitellään väärin, siitä voi vuotaa nestettä; älä kosketa sitä. Jos kosketat sitä vahingossa, huuhtele se vedellä. Jos nestettä pääsee silmiin, hakeudu lisäksi lääkärin hoitoon.** Akusta vuotanut neste voi ärsyttää ihoa ja aiheuttaa palovammoja.

#### HUOLTO

- **Huollata työkonetta pätevällä huoltomiehellä, joka käyttää ainoastaan asianmukaisia varaosia.** Tämä varmistaa, että sähkötyökalu on turvallinen.

#### PENSASLEIKKURIN TURVALLISUUSVAROITUKSET

- **Älä kosketa leikkuuterää millään ruumiinosalla.** Älä poista leikkumateriaalia tai pitele sitä terien liikkussa. Varmista, että kytkin on poissa päältä jumittunutta materiaalia poistettaessa. Tarkkaamattomuus tuotetta käytettäessä saattaa johtaa vakavaan loukkaantumiseen.
- **Kannapensasleikkuria kahvastateräpysähdyksissä. Kun kuljetat pensasleikkuria tai varastoit sen, käytä aina leikkurinsuojusta.** Pensasleikkurin asianmukainen käsitteleminen ehkäisee leikkuuterän aiheuttamaa loukkaantumisen vaaraa.
- **Pitele sähkötyökalua ainoastaan eristetyistä kosketuspinnasta, sillä leikkuuterä saattaa**

**osua kätettyihin johtoihin.** Jos leikkuuterä osuu sähköistettyyn johtoon, sähkötyökalun paljaat metalliosat sähköistyvät ja voivat aiheuttaa käyttäjälle sähköiskun.

#### MUITA TURVALLISUUSVAROITUKSIA

- Joillain alueilla vallitsee säädöksiä, jotka rajoittavat tämän tuotteen käyttöä joissain toiminnoissa. Pyydä paikallisilta viranomaisilta neuvoa. Lue kaikki ohjeet.
- Siivoa työalue ennen jokaista käyttöä. Poista kaikki sellaiset esineet, kuten johdot, valot ja langat, jotka voivat singota tai tarttua terään.
- Tarkista pensasaita vieraskappaleiden, kuten lanka-aidan, varalta.
- Noudata erityistä varovaisuutta, kun käytät laitetta aitausten, pylväiden, rakennusten ja vastaavien kiinteiden rakenteiden lähellä.
- Varo sinkoilevia kappaleita; pidä kaikki sivulliset, lapset ja lemmikit vähintään 15 metrin päässä työalueesta.
- Älä anna lasten tai kouluttamattomien henkilöiden käyttää tätä tuotetta.
- Älä käytä tätä työkalua huonosti valaistussa paikassa. Käyttäjällä on oltava esteetön näkyvyys työalueelle, jotta hän näkee mahdolliset vaaratekijät.
- Tarkista aina, että kaikki kahvat ja suojukset ovat paikoillaan ennen koneen käyttöä. Älä koskaan yritä käyttää puutteellista tai luvattomasti muokattua tuotetta.
- Varmista aina ennen käyttöä, että kaikki hallinta- ja turvallisuuslaitteet toimivat asianmukaisesti. Älä käytä laitetta, jos Off-kytkin ei sammuta tuotetta.
- Tarkista laite aina ennen käyttöä. Tarkista liitäntöjen kireys. Varmista, että kaikki suojukset ja kädensijat on kiinnitetty tukevasti. Vaihda kaikki vioittuneet osat ennen käyttöä. Tarkista, onko akussa vuotoja.
- Älä muokkaa tuotetta millään tapaa.
- Käytä tuotetta käyttäessäsi täysisiä suojalaseja ja kuulosuojaimia. Suojakypärää on käytettävä alueilla, joissa on putoavien kappaleiden vaara.
- Käytä paksuja pitkiä housuja, saappaita ja käsineitä. Älä käytä löysiä vaatteita, shortseja tai minkäänlaisia koruja tai kulje paljasjaloin.
- Sido pitkät hiukset hartioiden yläpuolelle, jotta ne eivät pääse tarttumaan liikkuviin osiin.
- Kuulosuojaimet vaikeuttavat varoitusten kuulemistä (häilytyksiä ja huutoja). Käyttäjän on kiinnitettävä enemmän huomiota siihen, mitä työalueella tapahtuu.
- Samankaltaisten laitteiden käyttö lähettyvillä kasvattaa kuulovaurion riskiä sekä vaaraa, että joku muu tulee työalueellesi.
- Älä käytä tätä tuotetta väsyneenä, sairaana tai huumeiden, alkoholin tai lääkkeiden vaikutuksen alaisena.
- Pidä vakaa tasapaino. Älä kurkota liian pitkälle. Jos kurkottelet liian kauas, saatat menettää tasapainon tai joutua kosketuksiin kuumien pintojen kanssa.
- Pidä kaikki ruumiinosat kaukana liikkuvista osista.
- Varmista ennen laitteen käynnistämistä, että leikkuuterät eivät pääse koskettamaan mitään.
- Kun käytät pensasleikkuria, pitele sitä aina tukevasti





molemmiin käsin molemmista kahvoista ja varmista, että käyttöasento on turvallinen ja vakaa. Valmistaja ei suosittele tuotteen käyttöä tikkailla. Jos trimmausta on suoritettava korkeammalla, käytä jatkolaitetta.

- Terät ovat teräviä. Käytä teräkokoonpanoa käsitellessäsi luisumattomia raskaan käytön suojakäsineitä. Älä aseta kättä tai sormia terien väliin tai mihinkään, missä ne voivat joutua puristuksiin tai leikkaantua. Älä koskaan kosketa terää tai korjaa yksikköä poistamatta ensin akkua.
- Sammuta laite ja irrota akku ennen seuraavia:
  - leikkauslaitteen työasennon säätäminen
  - ennen tukoksen poistamista
  - tuotteen jättäminen valvomatta
  - tuotteen tarkastusta, ylläpitoa ja huoltoa
- Älä pakota pensasleikkuria paksun kasvuston läpi. Tämä voi saada terän tarttumaan ja hidastumaan. Jos terät hidastuvat, hidasta tahtia.
- Älä yritä leikata runkoja tai oksia, jotka ovat paksumpia kuin 18 mm (RHT1851R15, RHT1851R20, RHT1851R25, OHT1851R), 22 mm (RHT1855R40, OHT1855R) tai selvästi liian suuria leikkuuterälle. Trimmaa paksummat varret käsikäyttöisellä sahalla tai karsintasahalla.
- Älä käytä laitetta, jos leikkuuosa on vioittunut tai pahastu kulunut.

#### VAROITUS

Jos tuote putoaa, saa kovan iskun tai alkaa täristä normaalia enemmän, sammuta se heti ja tarkista se vaurioiden varalta tai paikanna tärinän syy. Valtuutetun huoltopisteen on korjattava tai vaihdettava vioittuneet osat asianmukaisesti.

#### KULJETUS JA VARASTOITAESSA

- Sammuta tuote, irrota akku ja anna molempien jäähtyä ennen varastointia ja kuljetusta.
- Puhdista laitteesta kaikki vieraat materiaalit. Varastoi laite viileään, kuivaan ja hyvin tuuletettuun paikkaan, jossa lapset eivät pääse siihen käsiksi. Lisätäkseen turvallisuutta varastoi akku erillään pensasleikkurista. Pidä poissa syövyttäviltä aineilta kuten puutarhakemikaaleilta ja jäänsulatusuolalta. Älä säilytä ulkona.
- Peitä terä teränsuojuksella ennen yksikön varastointia sekä kuljetuksen ajaksi.
- Kiinnitä tuote kuljetettaessa siten, että se ei pääse liikkumaan tai kaatumaan, jotta välttyä loukkaantumisilta ja vaurioilta.

#### LITUMAKKIJEN KULJETTAMINEN

Kuljeta akkuja paikallisten ja kansallisten ehtojen ja säädösten mukaisesti.

Noudata kaikkia pakkaamista ja nimeämistä koskevia erikoissäädöksiä, kun kolmas osapuoli kuljettaa akkuja. Varmista, että mikään akku ei kosketa muita akkuja tai johtavaa materiaalia kuljetuksen aikana suojaamalla paljaat navat eristävillä, johtamattomilla korkeilla tai teipillä.

Älä kuljeta akkuja, jotka ovat halkeilleet tai vuotavat. Kysy välityritykseltä lisäneuvoja.

#### HUOLTO

##### VAROITUS

Käytä ainoastaan alkuperäisiä valmistajan tuottamia varaosia, lisälaitteita ja lisävarusteita. Tämän noudattamatta jättäminen voi johtaa loukkaantumiseen ja huonoon tulokseen ja voi mitätöidä takuun.

##### VAROITUS

Huolto kaipaa suurta huolellisuutta ja hyvää työkalun tuntemusta: Se on annettava pätevän teknikon tehtäväksi. Suosittelemme, että viet työkalun korjattavaksi lähimpään valtuutettuun liikkeeseen. Käytä vaihdossa yksinomaan alkuperäisiä varaosia.

##### VAROITUS

Terät ovat teräviä. Jotta välttyä loukkaantumiselta, ole erittäin varovainen puhdistaessasi, voidellessasi ja kiinnittäessäsi tai irrotaessasi teränsuojaa.

- Irrota akku ennen säätöjä, huoltoa ja puhdistusta.
- Voit tehdä tässä käyttöoppaassa kuvattuja säätöjä ja korjauksia. Jos laite vaatii muuta huoltoa, ota yhteys valtuutettuun huoltopisteeseen.
- Puhdista tuotteet runko ja kahvat pehmeällä, kuivalla liinalla jokaisen käyttökerran jälkeen.
- Puhdista roskat jokaisen käyttökerran jälkeen teristä kovalla harjalla ja levitä sen jälkeen huolella ruosteenestovoiteluainetta ennen teränsuojuksen kiinnittämistä. Valmistaja suosittelee, että levität ruosteenestoainetta ja voiteluainetta suihkeena, jotta ne leviäsivät tasaisesti ja jotta välttyisit teriin koskettamisesta aiheutuvaista loukkaantumisvaaroista. Lisätietoja asianmukaisesta suihkeesta saa paikallisesta valtuutetusta huollosta.
- Terät kannattaa tarvittaessa voidella kevyesti ennen käyttöä yllä kuvatulla tavalla.
- Varmista aina, että ruuvit ja mutterit ovat tiukasti kiinni, jotta tuote olisi aina turvallinen ja käyttövalmis. Valtuutetun huoltopisteen on korjattava tai vaihdettava vioittuneet osat asianmukaisesti.

#### KÄYTTÖÖN LIITTYVÄT RISKIT

Vaikka tuotetta käytettäisiin ohjeiden mukaisesti, ei ole mahdollista täysin eliminoida tiettyjä käyttöön liittyviä riskitekijöitä. Käytössä voi aiheutua seuraavia vaaroja, ja käyttäjän tulee kiinnittää erityistä huomiota niiden välttämiseen:

- leikkuuterää koskettamisesta aiheutuva vamma
  - Teriin koskettaminen voi aiheuttaa vakavan vamman. Pidä terä kaukana itsestäsi ja muista. Peitä se teränsuojalla aina kun et leikkaa laitteella.
- Tärinän aiheuttama vamma.

- Käytä aina työhön sopivaa laitetta, käytä nimettyjä kahvoja ja rajoita työaika sekä altistumista.
- Melulle altistumisesta aiheutunut kuulovamma.
  - Käytä suojalaseja ja rajoita altistumista.

## RISKIEN VÄHENTÄMINEN

Raporttien mukaan käsikäyttöisten laitteiden tärinä voi joidenkin kohdalla myötävaikuttaa Raynaud's Syndromen (Raynaudin oireen) ilmenemiseen. Oireita ovat pistely, turtuus ja sormien kalpeneminen, yleensä kylmässä ilmassa. Perinnölliset tekijät, kylmyys ja kosteus, ruokavalio, tupakointi sekä työtavat voivat kaikki myötävaikuttaa näiden oireiden ilmenemiseen. Käyttäjä voi ehkäistä tärinän aiheuttamia vaikutuksia seuraavasti:

- Pidä itsesi lämpimänä kylmällä säällä. Käytä tuotteen käytön aikana käsineitä, jotta kätesi ja ranteesi pysyvät lämpöisinä.
- Harjoita kunkin käyttöjakson jälkeen liikuntaa, jotta verenkierto lisääntyisi.
- Pidä työn aikana säännöllisesti taukoja. Rajoita päivittaisen tärinän määrä.

Jos mitään yllä mainittuja oireita ilmenee, lopeta heti laitteen käyttö ja kerro oireista lääkärille.

## VAROITUS

Laitteen pitkittynyt käyttö voi aiheuttaa tai vaikeuttaa vammoja. Kun käytät mitä tahansa laitetta pitkiä aikoja, muista pitää säännöllisiä taukoja.

## KUVAUS

Katso sivu 128.

## OSAT

1. Takakädensija
2. Liipaisin
3. Käsittelet roottorin lukituspainiketta
4. Etukädensija
5. Käyttäjän läsnäolokytkin
6. Pantalla protectora
7. HedgeSweep™-puhdistuslaite
8. Terä
9. Terän suojus
10. Akku
11. Akun salppapainike
12. Laturi

## TUOTTEESSA OLEVAT SYMBOLIT



Varoitus



Lue ohjeet huolellisesti ennen laitteen käynnistämistä.



Käytä kuulosuojaimia



Käytä silmäsuojaimia



Pitele pensasleikkuria aina kaksin käsin sitä käyttäessäsi.



Käytä luisumattomia raskaan käytön käsineitä.



Älä kosketa teriin, jotta välttyt vakavalta loukkaantumiselta.



Älä altista konetta sateelle tai kosteudelle.



Varo sinkoutuneita ja muita lentäviä esineitä. Pidä kaikki sivulliset vähintään 15 metrin päässä toiminta-alueelta – erityisesti lapset ja lemmikit.



Tämä työkalu on sen EU-maan kaikkien sääntömääräisten standardien mukainen, josta se on ostettu.



EurAsian-vaatimustenmukaisuusmerkki



Ukrainalainen säädöstenmukaisuusmerkintä



Tässä tarrassa näytetty taattu äänenpaine on 94 dB.



Käytöstä poistettavia sähkölaitteita ei pidä hävittää talousjätteiden mukana. Ne on mahdollisuuksien mukaan pantava kiertoon. Kierrätysohjeita antavat kunnan viranomaiset ja vähittäiskauppiat.

## TÄMÄN KÄSIKIRJAN SYMBOLIT



Osat ja lisävarusteet on hankittava erikseen



Huom



Varoitus

Seuraavat signaalisanat ja merkitykset on tarkoitettu selittämään tähän tuotteeseen liittyviä riskin tasoja.

## VAARA

Ilmaisee välitöntä vaaratilannetta, joka ellei sitä vältetä, johtaa kuolemaan tai vakavaan loukkaantumiseen.

### **⚠ VAROITUS**

Ilmaisee potentiaalisen vaaratilanteen, joka ellei sitä välttetä, johtaa kuolemaan tai vakavaan loukkaantumiseen.

### **⚠ HUOMAUTUS**

Ilmaisee potentiaalisen vaaratilanteen, joka ellei sitä välttetä, saattaa johtaa pienempään tai keskivaikeaan loukkaantumiseen.

### **HUOMAUTUS**

Ilman turvallisuusvaroitussymbolia

Ilmoittaa tilanteesta, jossa omaisuutta saattaa vaurioitua.

EN  
FR  
DE  
ES  
IT  
NL  
PT  
DA  
SV  
**FI**  
NO  
RU  
PL  
CS  
HU  
RO  
LV  
LT  
ET  
HR  
SL  
SK  
BG  
UK  
TR



Sikkerhet, ytelse og driftssikkerhet er gitt topp prioritet i konstruksjonen av din trådløse hekksaks.

### TILTENKT BRUK

Produktet er kun til utendørs bruk. Av sikkerhetshensyn må produktet betjenes på forsvarelig vis med to hender.

Dette produktet er konstruert for hjemmebruk. Dette produktet er ment for klipping og trimming av hekker, busker og lignende vegetasjon.

Det må brukes under tørre og godt opplyste forhold.

Det er IKKE ment for klipping av gress, kapping av grener eller felling av trær. Det må ikke brukes for andre formål enn klipping/trimming av hekker/kratt.

### GENERELLE SIKKERHETSREGLER FOR ELEKTRISK VERKTØY

#### ADVARSEL

**Les alle sikkerhetsadvarslene og alle instruksjonene.**

Å unnlate å følge advarslene og instruksjonene kan føre til elektrisk støt, brann og alvorlig personskade. Ta vare på disse advarslene og instruksjonene for å se i dem senere.

Begrepet "elektrisk verktøy" i advarslene gjelder ditt elektriske verktøy koblet til strømnettet (med ledning) eller batteridrevet (uten ledning) elektrisk verktøy.

### ARBEIDSOMGIVELSER

- **Hold arbeidsområdet rent, ryddig og godt opplyst.** Uryddige og dårlig opplyste områder fører lett til ulykker.
- **Ikke bruk elektrisk verktøy i eksplosive atmosfærer, som der det finnes brennbare væsker, gasser eller støv.** Elektrisk verktøy skaper gnister som kan antenne støv eller gasser.
- **Hold barn og andre på avstand når et elektrisk verktøy brukes.** Distraksjon kan føre til tap av kontroll.

### ELEKTRISK SIKKERHET

- **Støpslet på det elektriske verktøyet må stemme med stikkontakten.** Foreta aldri noen form for endringer av støpslet. **Ikke bruk noen form for adapterstøpsel til jordet elektrisk verktøy.** Umodifiserte støpsler og passende stikkontakter vil redusere risikoen for elektrisk støt.
- **Unngå kroppskontakt med jordede overflater, som vannrør, radiatorer, kokeapparater og kjøleaggregater.** Det er økt risiko for elektrisk støt dersom kroppen din har kontakt med jord.
- **Ikke utsett produktet for regn eller høy fuktighet.** Vann som trenger inn i et elektrisk verktøy vil øke faren for elektrisk støt.
- **Ikke misbruk den elektriske ledningen.** Bruk aldri ledningen til å bære det elektriske verktøyet eller trekke støpslet ut av stikkontakten. Hold ledningen vekk fra varme, olje, skarpe kanter eller bevegelige deler. Skadet eller sammenfloknet ledning øker risikoen for elektrisk støt.
- **Når du bruker det elektriske verktøyet utendørs,**

**bruk en skjoteledning som er tilpasset utendørs bruk.** Bruk av ledning som er tilpasset utendørs bruk reduserer risikoen for elektrisk støt.

- **Dersom bruk av elektrisk verktøy i fuktige omgivelser ikke er til å unngå, bruk en strømkrets med sikring som er tilpasset verktøyet.** Bruk av strømkrets med sikring reduserer risikoen for elektrisk støt.

### PERSONLIG SIKKERHET

- **Vær våken, se på hva du gjør og bruk fornuft når du arbeider med et elektrisk verktøy.** Ikke bruk elektrisk verktøy når du er liksom eller under påvirkning av narkotiske stoffer, alkohol eller medisiner som kan påvirke din reaksjonsevne og/eller dømmekraft. Et øyeblikks uoppmerksomhet når elektrisk verktøy brukes kan føre til alvorlige personskade.
- **Bruk personlig verneutstyr.** Bruk alltid øyebeskyttelse. Verneutstyr som støvmaske, sklisikre vernesko, hjelm eller hørselsvern brukt i passende sammenhenger vil redusere risikoen for personskade.
- **Unngå utilsikket start.** Sørg for at bryteren er i posisjon OFF før utstyret kobles til strømnettet og / eller batteripakken, plukkes opp eller bæres. Å bære det elektriske verktøyet med fingeren på startknappen eller koble strøm til et elektrisk verktøy med bryteren i ON inviterer til ulykker.
- **Fjern justeringsnøkler og annet verktøy før du setter strøm på det elektriske verktøyet.** En fastnøkkel eller annet verktøy festet til en roterende del av et elektrisk verktøy når det startes kan føre til personskade.
- **Ikke len deg for langt.** Sørg for godt fotfeste og god balanse til enhver tid. Dette gir bedre kontroll over det elektriske verktøyet i en uventet situasjon.
- **Kle deg riktig.** Ikke bruk løstsittende plagg og/eller løsthengende smykker. Hold hår, klær og hansker vekk fra bevegelige deler. Løse plagg, smykker og langt hår kan fanges opp av bevegelige deler.
- **Hvis det finnes tilkoblingsmuligheter for oppsagnings- og oppsamlingsutstyr for støv, sørg for at dette blir tilkoblet og brukt på riktig måte.** Bruk av støvoppsamler kan redusere støvrelatert faresituasjoner.

### BRUK OG BEHANDLING AV ELEKTRISK VERKTØY

- **Ikke press maskinen.** Bruk korrekt elektrisk verktøy for jobben som skal gjøres. Riktig elektrisk verktøy vil gjøre jobben bedre og tryggere når det brukes slik det var tiltenkt.
- **Ikke bruk verktøyet hvis bryteren ikke slår verktøyet av og på.** Ethvert elektrisk verktøy som ikke kan kontrolleres med bryteren er farlig og må repareres før det kan brukes.
- **Trekk støpslet ut av den elektriske kontakten og/eller batteripakken fra det elektriske verktøyet før du foretar endringer, skifter tilbehør eller lagrer det elektriske verktøyet.** Slike forebyggende sikkerhetstiltak reduserer risikoen for utilsikket start av det elektriske verktøyet.
- **Oppbevar elektrisk verktøy som ikke brukes utenfor barns rekkevidde og la ikke personer som**





ikke er kjent med det elektriske verktøyet eller dets instruksjoner bruke det. Elektrisk verktøy er farlig i hendene på uerfarne brukere.

- **Vedlikehold av elektrisk verktøy. Kontroller for feilinnretting og at bevegelige deler løper fritt, at det ikke finnes ødelagte deler og enhver annen tilstand som kan påvirke det elektriske verktøyet drift. Hvis skadet må det elektriske verktøyet repareres før bruk.** Mange ulykker skyldes dårlig vedlikeholdt elektrisk verktøy.
- **Hold skjæreredskap skarpe og rene.** Korrekt vedlikeholdt skjæreverktøy med skarpe skjærekanter har mindre mulighet for å blokkere seg og er lettere å kontrollere.
- **Bruk det elektriske verktøyet, tilbehøret, verktøybits etc i henhold til disse instruksjonene, der du tar hensyn til arbeidsforholdene og det arbeidet som skal utføres.** Bruk av elektrisk verktøy på en måte det ikke var tiltenkt kan skape farlige situasjoner.

#### BATTERIPRODUKTER - BRUK OG STELL

- **Lad bare med ladere som er spesifisert av produsenten.** En lader som passer til en type batteripakke kan skape risiko for brann dersom den brukes til en annen type batteripakke.
- **Bruk batteriprodukter kun med spesielt tiltenkte batteripakker.** Bruk av andre batteripakker kan føre til risiko for skade og brann.
- **Når batteripakken ikke er i bruk, hold den vekke fra metallgjenstander som binders, mynter, nøkler, spiker, skruer og annet som kan forbinde de to terminalene med hverandre.** Kortslutning av batteriterminalene kan føre til brenning eller brann.
- **Dersom batteriet misbrukes kan det slippe ut væske, unngå hudkontakt med væsken. Hvis du får kontakt med væsken fra batteriet, skyl med rikelige mengder vann. Hvis væsken får kontakt med øynene må det søkes medisinsk hjelp.** Væske som kommer ut av batteriet kan føre til irritasjon eller brannskår.

#### VEDLIKEHOLD

- **Sørg for at reparasjoner og vedlikehold av ditt elektriske verktøy utføres av kvalifiserte teknikere som kun bruker originale erstatningsdeler.** Dette vil sørge for at sikkerheten med det elektriske verktøyet ivaretas.

#### HEKKLIPPER SIKKERHETSADVARSLER

- **Hold alle deler av kroppen vekke fra skjærebladet. Ikke fjern avkappet materiale eller hold ting som skal klippe mens knivene beveger seg. Påse at bryteren er i posisjon AV når knivene skal renses for materialer som har blokkert seg.** Et øyeblikk med uoppmerksomhet under bruk av produktet kan føre til alvorlige personskader.
- **Bær hekksaksen i håndtaket med skjærebladene stanset. Når du transporterer eller lagrer hekksaksen, husk alltid å sette sliren over knivene.** Korrekt håndtering av hekksaksen vil redusere faren for å bli skadet av knivene.

- **Hold verktøyet i de isolerte gripeflatene idet knivene kan komme i kontakt med skjulte strømførende ledninger.** Dersom skjærebladene får kontakt med en strømførende ledning kan verktøyet metalldele også bli strømførende og gi brukeren elektrisk støt.

#### SPEISIELLE SIKKERHETSADVARSLER

- Visse regioner har forskrifter som begrenser bruken av produktet til definerte operasjoner. Spør de lokale myndigheter for råd. Les alle instruksjonene
- Klargjør arbeidsstedet før hver gangs bruk. Fjern alle gjenstander som snorer, lys, wire eller hyssing som kan bli slengt ut eller feste seg i kutteenheten.
- Kontroller at det ikke er fremmedlegemer i hekken, som f.eks. nettinggjeder.
- Utøv ekstra forsiktighet ved bruk av produktet i nærheten av gjerder, stolper, bygninger og andre ubevegelige gjenstander.
- Vær oppmerksom på gjenstander som kan bli slengt ut, hold alle tilskuere, barn og kjæledyr minst 15 m unna arbeidsområde.
- Ikke la barn eller ukyndige bruke dette utstyret.
- Ikke bruk i dårlig lys. Operatøren må ha klar sikt over arbeidsfeltet for å identifisere potensielle farer.
- Påse at alle håndtak og beskyttelsesutstyr er montert før du tar maskinen i bruk. Forsøk aldri å bruke et ufullstendig produkt eller et produkt med en uautorisert modifisering
- Kontroller før hver bruk at alle styreenheter og sikkerhetsanordninger fungerer som de skal. Ikke bruk verktøyet hvis "av" knappen ikke stanser produktet.
- Sjekk maskinen før hver bruk. Sjekk at ingen fester er løse. Påse at alle deksler, stropper og håndtak er korrekt og trygt montert. Erstatt alle skadede deler før fortsatt bruk. Sjekk for lekkasjer fra batteripakken.
- Ikke endre produktet på noen måte.
- Ha på deg passende vernebriller og hørselvern når du bruker produktet. Hvis du jobber i områder der det er fare for fallende objekter, må du bruke hjelm.
- Bruk tette langbukser, støvler og hansker. Ikke bruk løstsittende klær, kortbukser, smykker av alle slag og ikke gå barbert.
- Sørg for at langt hår ikke når lenger ned en til skuldrene for å hindre at det kan fanges opp av roterende deler.
- Bruk av hørselsvern reduserer muligheten for å høre advarsler (rop eller alarmer). Brukeren må være ekstra oppmerksom med hensyn til hva som skjer på arbeidsområdet.
- Bruk av lignende utstyr i nærheten øker faren for både hørselskade og muligheten for at andre kommer inn i din arbeidssone.
- Ikke bruk utstyret når du er sliten, syk eller under påvirkning av alkohol, narkotika eller medisiner som kan påvirke reaksjonsevne og dømmekraft.
- Ha god fotfeste og ballanse til enhver tid. Ikke len deg for langt. Ved å strekke deg kan du risikere å miste balansen eller få kontakt med varme flater.
- Hold alle deler av kroppen vekke fra bevegelige deler.
- Før du starter maskinen, sjekk at kuttebladene ikke

EN
FR
DE
ES
IT
NL
PT
DA
SV
FI
<b>NO</b>
RU
PL
CS
HU
RO
LV
LT
ET
HR
SL
SK
BG
UK
TR



kommer i kontakt med noe.

- Når du bruker hekkklipperen må du alltid holde godt med begge hender på håndtakene og sikre at posisjonen du bruker den i er sikker og trygg. Produsenten anbefaler ikke bruk av stiger, trapper eller lignende. Hvis du trenger å klippe høyere, bruk et forlengelsesverktøy.
- Bladene er skarpe. Når du håndterer bladene, bruk profesjonelle vernehansker med antiskli. Ikke sett hånden eller fingrene mellom bladene eller et annet sted der de kan bli kuttet eller klemt. Ikke berør kniv eller driftsenhet uten at batteriet er fjernet.
- Slå av maskinen og fjern batteripakken før:
  - justering av arbeidsposisjonen til kappeutstyret
  - rengjøring eller fjernes en blokkering
  - etterlater produktet uten tilsyn
  - kontroll, vedlikehold og arbeider på produktet
- Ikke tving hekksaksen gjennom tette kjerr. Dette kan føre til at bladet blokkeres og saktner hastigheten. Hvis hastigheten på bladet synker, reduser klippehastigheten.
- Ikke gjør forsøk på å klippe stammer eller grener som er tykkere enn 18 mm (RHT1851R15, RHT1851R20, RHT1851R25, OHT1851R), 22 mm (RHT1855R40, OHT1855R), eller de som åpenbart er for tykke til å bli matet inn mellom klippebladene. Bruk en manuell håndsag eller grensag for å kappe tykke stammer eller grener.
- Ikke bruk maskinen med skadet eller meget slitt klippeutstyr.

#### ⚠ ADVARSEL

Dersom produktet faller i bakken, får et sterkt slag eller starter å vibrere unormalt, stans produktet omgående og sjekk for skader eller finn ut hva som er årsaken for vibrasjonene. Enhver skade må repareres helt eller delen skiftes av et autorisert serviceverksted.

#### TRANSPORT OG LAGRING

- Slå av produktet og la det kjøles ned før lagring eller transport.
- Fjern alle fremmedelementer fra produktet. Lagres på et kjølig, tørt og godt ventilert sted som er utilgjengelig for barn. For ekstra sikkerhet skal batteriet lagres separat fra hekksaksen. Hold den borte fra korrosive materialer, så som ugressmidler og veisalt. Ikke oppbevar utendørs.
- Dekk bladet med bladsliren før du lagrer enheten eller ved transport.
- Ved transport må produktet sikres mot å komme i bevegelse eller falle for å unngå skade på personer eller produktet.

#### TRANSPORTERE LITIUM-BATTERIER

Transporter batterier i henhold til lokale og nasjonale lover og forskrifter.

Følg alle spesialkrav med hensyn til emballering og merking når batterier transporteres av en tredjepart. Påse at ingen batterier kan komme i kontakt med andre batterier

eller ledende materialer under transporten ved å beskytte åpne kontakter med isolasjon, ikkeledende lokk eller tape. Ikke transporter batterier som er sprukne eller som lekker. Kontakt speditøren for å få ytterligere råd.

#### VEDLIKEHOLD

##### ⚠ ADVARSEL

Bruk kun produsentens originale reservedeler, tilleggsutstyr og påsatser. Dersom dette ikke følges, kan det forårsake personskader, dårlig funksjon og kan annullere garantien din.

##### ⚠ ADVARSEL

Service krever meget stor forsiktighet og kunnskap og bør utføres kun av kvalifisert teknisk personale. Vi anbefaler at man sender verktøyet tilbake til nærmeste autoriserte servicesenter for reparasjon. Når service utføres skal kun identiske reservedeler brukes.

##### ⚠ ADVARSEL

Bladene er skarpe. For å unngå personskade, vær meget forsiktig når du rengjør, smører og setter på eller fjerner bladbeskyttelsen.

- Fjern batteriet før du utfører justeringer, vedlikehold eller rengjøring.
- Du kan foreta justeringer og reparasjoner som er beskrevet i denne brukermanualen. For andre reparasjoner, ta kontakt med et autorisert serviceverksted.
- Etter hver bruk, rens produktets ytre med en myk tørt klut.
- Etter hvert bruk, fjern avfall fra bladene med en stiv børste og påfør forsiktig antirustsmøring før du setter på bladbeskyttelsen igjen. Produsenten anbefaler at du påfører smørespray med antirustfunksjon som en jevn hinne og dermed minske faren for personskade. For mer informasjon om passende sprayprodukter, ta kontakt med ditt lokale autoriserte servicesenter.
- Du kan også ved behov smøre bladene lett før bruk, som beskrevet over.
- Kontroller all mutter, bolter og skruer med jevne mellomrom at de er skrudd fast for å sikre at produktet er i driftssikker stand. Enhver del som er skadet må repareres eller skiftes ut ved et autorisert serviceverksted.

#### GJENVÆRENDE RISIKO

Selv om utstyret brukes som beskrevet er det ikke mulig å unngå enhver gjenværende risiko. Følgende faresituasjoner kan oppstå ved bruk, og operatøren må legge spesielt vekt på å unngå følgende:

- Personskader pga. kontakt med bladet
  - Kontakt med bladene kan føre til alvorlige personskader. Hold bladet unna deg selv og andre.

Tildekk bladene med beskyttelsen når du ikke kutter.

- Personskade på grunn av vibrasjon.
  - Bruk alltid riktig verktøy til jobben, bruk håndtakene og begrens arbeidstiden og eksponeringen.
- Eksponering for støy kan gi hørselsskader.
  - Bruk hørselsvern og begrens eksponeringen.

## FAREREDUKSJON

Det foreligger rapporter om at vibrasjoner fra håndholdt verktøy for enkelte personer kan bidra til en tilstand som kalles Raynauds Syndrome. Symptomene kan omfatte følelsesløshet og gjøre fingrene bleke, vanligvis synlig ved eksponering til lave temperaturer. Arvelige faktorer, eksponering mot lave temperaturer og fuktighet, diett, røyking og arbeidspraksis blir alle ansett for å kunne bidra til å utvikle disse symptomene. Brukeren kan iverksette tiltak for mulig å redusere virkningene av vibrasjonene:

- Hold kroppen din varm i kaldt vær. Bruk hansker og hold hender og håndledd varme ved bruk av produktet.
- Etter hver arbeidsperiode bør det utføres øvelser for å øke blodsirkulasjonen.
- Ta ofte pauser fra arbeidet som utføres. Begrens mengden av eksponering pr. dag.

Hvis du opplever noen av symptomene på denne tilstanden må du øyeblikkelig avbryte arbeidet og oppsøke en lege med disse symptomene.

## ⚠ ADVARSEL

Hvis man bruker verktøyet for lenge av gangen, kan det føre til eller forverre allerede eksisterende personskade. Når du bruker et verktøy over en lenger tidsperiode, husk å ta regelmessige pauser.

## BESKRIVELSE

Se side 128.

## DELER

1. Bakre håndtak
2. Avtrekker
3. Låsekna for håndtaksrotasjon
4. Fremre håndtak
5. Operatørbryter
6. Beskyttelsesskjerm
7. HedgeSweep™ avfallsfjerner
8. Blad
9. Knivdeksel
10. Batteri
11. Utløserknapp for batteri
12. Lader

## SYMBOLER PÅ PRODUKTET



Sikkerhetsalarm



Vennligst les instruksjonene nøye før du starter maskinen.



Bruk hørselsvern



Bruk øyeskyttelse



Hold alltid heksaksen med begge hender når den brukes.



Bruk kraftige, sklisikre hansker.



For å hindre alvorlige personskader, ikke ta på kuttebladene.



Ikke utsette for regn eller fuktige forhold.



Vær oppmerksom på utkastede eller flygende gjenstander. Hold tilskuere, spesielt barn og dyr, på god avstand, det vil si minst 15 meter fra arbeidsområdet



Dette verktøyet overholder samtlige standarder i det EU-landet det er kjøpt i.



EurAsian Konformitetstegn



Ukrainsk merke for konformitet



Det garanterte lydtrykksnivået er på 94 dB og er angitt på etiketten.



Avfall fra elektriske produkter skal ikke kastes sammen med husholdningsavfall. Vennligst resirkulervedeksisterende avfallsbehandlingssted. Undersøk hos dine lokale myndigheter eller forhandler for råd om resirkulering.

## SYMBOLER I DENNE MANUALEN



Deler eller tilbehør solgt separat



Nb



Advarsel

Følgende symboler og betydninger forklarer risikonivået som er assosiert med dette produktet.

 **FARE**

Indikerer en øyeblikkelig farlig situasjon, som, hvis ikke unngås, kan resultere i død eller alvorlig personskade.

 **ADVARSEL**

Indikerer en potensiell farlig situasjon, som, hvis ikke unngås, kan resultere i død eller alvorlig personskade.

 **FORSIKTIGHETSREGEL**

Indikerer en potensiell farlig situasjon, som, hvis ikke unngås, kan resultere i mindre eller moderat personskade.

**FORSIKTIGHETSREGEL**

Uten sikkerhetsvarselsymbol

Indikerer en situasjon som kan føre til skade på eiendom.





При разработке этого беспроводного кустореза особое внимание уделялось безопасности, производительности и надежности.

## НАЗНАЧЕНИЕ

Инструмент предназначен только для использования на открытом воздухе. Из соображений безопасности всегда необходимо эксплуатировать инструмент, управляя им двумя руками.

Изделие предназначено для домашнего использования. Данный инструмент предназначен для обрезки и подравнивания живой изгороди, кустарников и подобной растительности.

Пользоваться инструментом следует в сухих хорошо освещенных условиях.

Устройство НЕ предназначено для подрезки травы, деревьев или веток. Инструмент не следует использовать в каких-либо других целях, кроме подрезки живой изгороди.

## ОБЩИЕ УКАЗАНИЯ ПО ТЕХНИКЕ БЕЗОПАСНОСТИ ПРИ РАБОТЕ С ЭЛЕКТРОИНСТРУМЕНТОМ

### ⚠ ОСТОРОЖНО

Прочтите все предупреждения и инструкции по технике безопасности. Несоблюдение приводимых ниже предупреждений и инструкций может привести к поражению электрическим током, возгоранию или тяжким телесным повреждениям. Сохраните все предупреждения и инструкции по технике безопасности для последующего использования.

Термин "электроинструмент" в данном описании относится к инструментам с питанием от сети (проводные) и от аккумуляторных батарей (беспроводные).

## БЕЗОПАСНОСТЬ НА РАБОЧЕМ МЕСТЕ

- Рабочая зона должна быть свободна и хорошо освещена. Загромождение или плохое освещение рабочей зоны может привести к несчастным случаям.
- Не используйте электроинструмент во взрывоопасной среде, например в присутствии легковоспламеняющихся жидкостей, газов или пыли. В электроинструментах происходит искрообразование, что может привести к воспламенению пыли или газа.
- Не допускайте присутствия детей и посторонних лиц при работе с инструментом. Невнимательность может привести к утрате контроля.

## ЭЛЕКТРОБЕЗОПАСНОСТЬ

- Вилка кабеля питания инструмента должна соответствовать используемой розетке. Не подвергайте вилку кабеля каким-либо изменениям. Не используйте какие-либо переходники с электроинструментами с

заземляющим проводом. Использование оригинальных штепсельных вилок и соответствующих розеток предотвращает опасность поражения электрическим током.

- Не допускайте контакта частей тела с поверхностями заземленных предметов, таких как трубы, радиаторы отопления, кухонные плиты, холодильники. При соприкосновении частей тела человека с заземленными участками возрастает опасность поражения электрическим током.
- Не допускайте попадания влаги на изделие и не используйте его во влажной атмосфере. Попавшая внутрь инструмента вода повышает опасность поражения электрическим током.
- Обращайтесь с кабелем питания надлежащим образом. Не используйте кабель для переноски, перемещения или отключения инструмента от сети питания. Оберегайте кабель от источников тепла, масляных и острых предметов и движущихся деталей. Поврежденные или запутанные провода повышают опасность поражения электрическим током.
- При работе с электроинструментом вне помещений пользуйтесь удлинительным кабелем, предназначенным для наружного применения. Использование кабеля, предназначенного для наружного применения, снижает опасность поражения электрическим током.
- Если нет возможности избежать работы в условиях повышенной влажности, подключайте инструмент через устройство защитного отключения. При использовании устройства защитного отключения снижается опасность поражения электрическим током.

## ЛИЧНАЯ БЕЗОПАСНОСТЬ

- Соблюдайте осторожность, следите за своими действиями и пользуйтесь здравым смыслом при работе с электроинструментом. Не пользуйтесь инструментом в состоянии усталости или под воздействием наркотических средств, алкоголя или медицинских препаратов. Малейшая невнимательность при работе с инструментом может привести к тяжкому телесному повреждению.
- Используйте средства индивидуальной защиты. Всегда надевайте средства защиты зрения. Средства защиты, такие как пылезащитная маска, нескользкая защитная обувь, шлем-каска, средства защита органов слуха, используемые надлежащим образом, снижают опасность телесного повреждения.
- Не допускайте случайного запуска. Перед подключением к источнику питания или установкой аккумуляторной батареи, подъемом или перемещением инструмента убедитесь, что переключатель находится в положении «выключено». Во избежание несчастных случаев при перемещении инструмента не держите пальцы



на переключателе инструмента и не подключайте его к источнику питания при включенном положении переключателя.

- **Перед включением инструмента уберите все регулировочные и гаечные ключи.** Гаечные или регулировочные ключи, оставленные на вращающихся частях инструмента, могут привести к телесному повреждению.
- **Не перенапрягать.** Старайтесь сохранять устойчивость и подыскивайте твердую опору. Это обеспечивает лучшую управляемость электроинструментом в непредвиденных ситуациях.
- **Одевайтесь соответствующим образом.** Не надевайте свободную одежду и украшения. Не допускайте попадания волос, одежды и перчаток в движущиеся части. Свободная одежда, украшения и длинные волосы могут попасть в движущиеся части.
- **Если в инструменте предусмотрено использование устройства удаления и сбора пыли, обеспечьте их надежное крепление и надлежащее использование.** Использование пылесборника снижает опасность, связанную с пылеобразованием.

#### ИСПОЛЬЗОВАНИЕ И ОБРАЩЕНИЕ С ИНСТРУМЕНТОМ

- **Не прикладывайте чрезмерных усилий при работе с данным инструментом.** В каждом случае используйте надлежащий электроинструмент. Правильно выбранный электроинструмент позволяет выполнить работу, для которой он предназначен, более качественно и более безопасно.
- **Не пользуйтесь инструментом, если выключатель не включается или не выключается.** Любой электроинструмент, не управляемый выключателем, представляет опасность и должен быть отремонтирован.
- **Перед выполнением каких-либо регулировок, заменой приспособлений или хранением инструмента отключите вилку кабеля источника питания и/или аккумуляторной батареи от электроинструмента.** Такие меры предосторожности помогут предотвратить опасность случайного пуска инструмента.
- **Храните неиспользуемые электроинструменты в месте, недоступном для детей, а также не допускайте к использованию данного инструмента лиц, не знакомых с его работой или не ознакомленных с данными инструкциями.** Инструмент в руках неподготовленного лица представляет опасность.
- **Бережно обращайтесь с инструментом.** Проверяйте инструмент на отсутствие перекосов или заклинивания движущихся частей, их неисправности или других причин, которые могут отразиться на работе инструмента. При повреждении инструмента перед его дальнейшим использованием его следует отремонтировать. Многие несчастные

случаи вызваны ненадлежащим обращением с инструментом.

- **Содержите режущее устройство в чистоте и заточенном виде.** При надлежащем техническом обслуживании режущего инструмента снижается вероятность застревания режущих частей и облегчается управляемость.
- **Используйте инструмент, принадлежности, насадки и т.п. в соответствии с данными указаниями, и принимая во внимание условия работы и выполняемую работу.** Использование данного электроинструмента не по назначению может создать опасную ситуацию.

#### ЭКСПЛУАТАЦИЯ УСТРОЙСТВА С АККУМУЛЯТОРНЫМ ПИТАНИЕМ И УХОД ЗА НИМ

- **Зарядку выполняйте только с использованием зарядного устройства, указанного изготовителем.** Зарядное устройство, подходящее к одному типу аккумуляторных батарей, может создать опасность возгорания при использовании с аккумуляторными батареями другого типа.
- **Используйте электрические устройства только со специально предназначенными для них аккумуляторными батареями.** Использование аккумуляторных батарей другого типа может привести к телесным повреждениям или возгоранию.
- **Если аккумуляторная батарея не используется, храните ее отдельно от других металлических предметов, например канцелярских скрепок, монет, ключей, гвоздей, винтов и других мелких металлических предметов, которые могут привести к замыканию контактов батареи.** Замыкание контактов батареи может вызвать ожоги или привести к возгоранию.
- **При ненормальных условиях из батареи может вытечь жидкость, избегайте контакта с ней. Если этого избежать не удалось, смойте жидкость водой.** Если жидкость попала в глаза, после их промывания обратитесь за медицинской помощью. Жидкость, вытекшая из батареи, может вызвать раздражение или ожог.

#### ОБСЛУЖИВАНИЕ

- **Техническое обслуживание и ремонт инструмента должно выполняться только квалифицированным специалистом с использованием взаимозаменяемых запасных частей.** Это обеспечит нормальное техническое состояние устройства.

#### ОСОБЕННОСТИ ТЕХНИКИ БЕЗОПАСНОСТИ ПРИ ЭКСПЛУАТАЦИИ ТРИММЕРА-КУСТОРЕЗА

- **Удерживайте режущее полотно на безопасном расстоянии от частей тела.** Не пытайтесь удалить материал резания или удерживать разрезаемый материал при работающих режущих полотнах. При очистке инструмента от замятого материала отключите питание. Малейшая невнимательность при работе с



устройством может привести к серьезным травмам.

- **Переносите инструмент за ручку с остановленным режущим полотном. При транспортировке или хранении шпалерных ножниц устанавливайте защитное покрытие на режущее устройство.** Использование шпалерных ножниц в соответствии с указаниями предотвратит телесные повреждения от режущих полотен.
- **Держите электроинструмент только за изолированную поверхность рукоятки, так как пильный диск может войти в контакт со скрытой электропроводкой.** При повреждение режущим полотном провода, находящегося под напряжением, металлические части инструмента также могут оказаться под напряжением, что может привести к поражению работающего электрическим током.

## ДОПОЛНИТЕЛЬНЫЕ УКАЗАНИЯ ПО БЕЗОПАСНОСТИ

- В некоторых регионах существуют ограничения на использование некоторых операций с данным устройством. Проконсультируйтесь с местными органами власти. Прочтите все указания
- Перед каждым использованием проверяйте рабочую зону. Уберите такие объекты, как провода или шнуры, которые могут отлетать или запутываться в режущих принадлежностях.
- Убедитесь, что в кустарнике нет посторонних предметов, таких как проволочные ограждения.
- Необходимо соблюдать особую осторожность при использовании изделия вблизи ограждений, постов, зданий и других неподвижных объектов.
- Берегитесь отлетающих объектов, не допускайте прохожих, детей и домашних животных ближе чем на 15 м от рабочей зоны.
- Не позволяйте пользоваться устройством детям или не обученным лицам.
- Не работайте при недостаточном освещении. Оператор должен четко видеть рабочую зону в целях выявления потенциальных опасностей.
- Перед использованием устройства установите все ручки и защитные устройства. Использование некомплектного изделия или модифицированного изделия не допускается.
- Убедитесь перед каждым использованием, что все элементы управления и предохранительные устройства функционируют правильно. Не используйте инструмент, если невозможно остановить устройство выключателем.
- Проверяйте устройство перед каждым использованием. Проверьте надежность креплений. Проверьте правильность установки и надежность крепления всех защитных устройств и ручек. Перед использованием замените поврежденные детали. Проверьте аккумуляторную батарею на отсутствие протечки.
- Изменение конструкции изделия не допускается.
- Используйте надежные приспособления для защиты глаз и органов слуха при работе с продуктом. При

работе в зоне, где есть риск падения предметов, необходимо носить защитную каску.

- Работайте в толстых длинных брюках, сапогах и перчатках. Не допускается ношение слишком свободной одежды, коротких брюк, ювелирных изделий. Запрещается работать босиком.
- Соберите длинные волосы выше плеч, чтобы предотвратить их попадание в движущиеся части.
- Использование средств защиты органов слуха снижает способность услышать предупреждения (крики или сигналы). Работающий уделять повышенное внимание к происходящему в зоне работы.
- Эксплуатация аналогичных устройств вблизи рабочей зоны повышает риск повреждения слуха и опасность появления посторонних лиц в вашей рабочей зоне.
- Не работайте с данным устройством в случае усталости, болезненного состояния или под воздействием алкоголя, наркотиков или медикаментов.
- Держать устойчивую опору и баланс. Не перенапрягайте. Чрезмерные усилия могут привести к потере равновесия или прикосновению к горячей поверхности.
- Не допускайте попадания частей тела в движущиеся детали.
- Перед запуском устройства убедитесь, что режущие лезвия не вступают в контакт ни с чем.
- Во время эксплуатации триммера-кусторез всегда крепко держите его обеими руками за две ручки и убедитесь, что рабочее положение является надежным и безопасным. Производитель не рекомендует использовать стремянки или лестницы. Если требуется обрезать выше, используйте удлинительную насадку.
- Лезвия имеют острые кромки. При выполнении всех операций с лезвиями носите несколько прочные защитные перчатки. Не допускайте попадания руки или пальцев между лезвиями и держите их так, чтобы невозможно было их прищемить или порезать. Никогда не прикасайтесь к пильному диску и не проводите техническое обслуживание, пока не будет извлечена батарея.
- Выключите устройство и извлеките батарею перед выполнением следующих действий:
  - регулировка рабочего положения режущего устройства
  - очистка или устранение засора
  - Оставление изделия без присмотра
  - проверка, техобслуживание и эксплуатация устройства
- Не используйте шпалерные ножницы для подрезания густого кустарника. Это может привести к зажиму и замедлению работы режущих полотен. Если движение режущих полотен замедляется, уменьшите ход работы.
- Не пытайтесь обрезать стебли или ветви толщиной более 18 mm (RHT1851R15, RHT1851R20,



RHT1851R25, OHT1851R), 22 mm (RHT1855R40, OHT1855R) или заведомо не проходящие в режущие полотна. Для обрезания больших стеблей используйте ручную пилу или ножовку.

- Не используйте инструмент с поврежденным или сильно изношенным режущим устройством.

#### **⚠ ОСТОРОЖНО**

Если устройство уронили, оно издает громкий стук или начинает чрезмерно вибрировать, немедленно остановите его и проверьте на наличие повреждений или выясните причину вибрации. Любые поврежденные детали должны быть надлежащим образом отремонтированы или заменены в авторизованном сервисном центре.

### **ТРАНСПОРТИРОВКА И ХРАНЕНИЕ**

- Остановите устройство, извлеките батарею и дайте ей остыть перед постановкой на хранение или транспортировкой.
- Очистите устройство от всех посторонних материалов. Храните его в прохладном, сухом, хорошо проветриваемом и недоступном для детей месте. В целях дополнительной безопасности храните батарею отдельно от кустореза. Не держите бензопилу рядом с коррозионными веществами, такими как садовые химикаты или размораживающая соль. Не храните на открытом воздухе.
- Надевайте защитное устройство на режущее полотно перед помещением устройства на хранение или при транспортировке.
- Для транспортировки закрепите изделие так, чтобы оно не могло перемещаться или упасть во избежание травмирования персонала или повреждения изделия.

### **ПЕРЕВОЗКА ЛИТНЕВЫХ БАТАРЕЙ**

Транспортировку батареи осуществляйте в соответствии местными и национальными нормами и положениями.

Следуйте всем особым требованиям к упаковке и маркировке при транспортировке батареи в сторонние организации. Проверьте, чтобы батарея не соприкасалась с другими батареями или токопроводящими материалами во время транспортировки, защитив открытые контакты с помощью изоляции, непроводящих колпачков или пленки. Не транспортируйте поврежденные или протекающие батареи. За консультацией обращайтесь в транспортно-экспедиционную компанию.

### **ТЕХНИЧЕСКОЕ ОБСЛУЖИВАНИЕ**

#### **⚠ ОСТОРОЖНО**

Используйте только оригинальные запчасти, аксессуары и насадки от производителя. Невыполнение этого требования может привести к травме, к снижению производительности и к аннулированию гарантии.

#### **⚠ ОСТОРОЖНО**

Обслуживание требует чрезвычайной заботы и знания и должно быть выполнено только квалифицированным техником обслуживания. Для обслуживания мы предлагаем, чтобы вы возвратили изделие вашему самому близкому уполномоченному центру обслуживания для ремонта. При обслуживании использовать только идентичные сменные части.

#### **⚠ ОСТОРОЖНО**

Лезвия имеют острые кромки. Во избежание травм проявляйте крайнюю осторожность при очистке, смазке и установке или снятии защитного устройства для лезвия.

- Извлекайте батарею перед регулировкой, обслуживанием или очисткой.
- Вы можете также выполнить другие виды регулировки и ремонтные работы, описанные в данном руководстве. По вопросу ремонта обращайтесь в авторизованный сервисный центр.
- После каждого использования протирайте корпус и ручки изделия мягкой сухой тканью.
- После каждого использования, очистите лезвия от мусора жесткой щеткой, а затем аккуратно нанесите на него антикоррозионную смазку перед установкой защитного приспособления для лезвия. Производитель рекомендует использовать антикоррозионную распыляемую смазку, чтобы нанести ровный слой и снизить риск получения травмы от контакта с лезвиями. Для получения информации о подходящих распыляемых смазках свяжитесь с местным авторизованным сервисным центром.
- Вы можете при необходимости слегка смазывать лезвия перед эксплуатацией, используя данный метод.
- Проверить все болты, задвижки, и винты, через короткие интервалы, на надлежащую плотность, чтобы убедиться, что изделие находится в безопасном, рабочем состоянии. В случае повреждения какой-либо детали необходимо обратиться в авторизованный сервисный центр для выполнения надлежащего ремонта или замены.

### **БУДЬТЕ ВСЕГДА ОСТОРОЖНЫ**

Даже когда изделие используют согласно инструкциям, невозможно полностью устранить факторы риска. При эксплуатации могут возникнуть следующие ситуации, которым пользователь должен уделять особое внимание, чтобы избежать проблем:

- травма от контакта с лезвием
  - Контакт с лезвиями может привести к серьезной травме. Держать лезвие подальше от себя и других лиц. Держите их закрытыми их защитным приспособлением, если вы не занимаетесь резкой.

- Травмы, вызываемые вибрацией.
  - Применяйте инструмент только по своему назначению, используйте надлежащие ручки и соблюдайте рабочий режим.
- Повреждение слуха, вызываемое воздействием шума.
  - Носите устройства защиты слуха и ограничивайте продолжительность шумового воздействия.

### СНИЖЕНИЕ РИСКА

Считается, что вибрация ручного инструмента может привести к проявлению у отдельных лиц так называемой болезни Рейно (Raynaud's Syndrome). К симптомам могут относиться покалывание, онемение и побеление пальцев (как при переохлаждении). Считают, что наследственные факторы, охлаждение и влажность, диета, курение и практический опыт способствуют развитию этих симптомов. Ниже приводятся меры, которые может принять оператор для снижения воздействия вибрации:

- Одевайтесь теплее в холодную погоду. При эксплуатации изделия носите перчатки, чтобы сохранить руки и запястья в тепле.
- После каждого этапа работы выполните упражнения для усиления кровообращения.
- Чаще делайте перерывы в работе. Сократите длительность ежедневного пребывания на открытом воздухе.

При появлении каких-либо из указанных симптомов сразу же прекратите работу и обратитесь по их поводу к врачу.

### ⚠ ОСТОРОЖНО

Слишком продолжительное использование инструмента может привести к травме. При использовании инструмента в течение длительного времени делайте регулярные перерывы.

### ОПИСАНИЕ

См. стр. 128.

### ДЕТАЛИ

1. Задняя ручка
2. Курковый выключатель
3. Нажатием кнопки блокировки вращения
4. Передняя ручка
5. Переключатель присутствия оператора
6. Защитный щиток
7. Подметальная для мусора HedgeSweep™
8. Пильное полотно
9. Крышка режущего полотна
10. Аккумулятор
11. Кнопка фиксатора батареи
12. Зарядное устройство

### УСЛОВНЫЕ ОБОЗНАЧЕНИЯ НА ПРОДУКТЕ



Внимание



Перед использованием прибора внимательно ознакомьтесь с данной инструкцией.



Следует надевать средства защиты органов слуха



Используйте средства защиты органов зрения



При работе удерживайте шпалерные ножницы обеими руками.



Надевайте нескользящие перчатки для работы в тяжелых условиях.



Во избежание серьезных травм не касайтесь режущих лезвий.



Не подвергайте инструмент воздействию дождя и не используйте в условиях повышенной влажности.



Помните об опасности, которую представляют собой отбрасываемые устройством или вылетающие из-под него предметы. Не допускайте приближения посторонних лиц, особенно детей и домашних животных к рабочей зоне ближе чем на 15 м



Настоящий инструмент отвечает всем официальным стандартам страны ЕС, в которой он был приобретен.



Знак Евразийского Соответствия Сертификат Соответствия № TC RU C-DE.AE11.B.04148  
Срок действия Сертификата Соответствия По 08.10.2020  
Некоммерческая организация Учреждение сертификации и экспертизы «Сертэкс»  
109044 РФ, город Москва, 3-й Крутицкий переулок, дом 11



Украинский знак стандартизации



Гарантированный уровень звуковой мощности, указанный на настоящей табличке, составляет 94 дБ.

- EN
- FR
- DE
- ES
- IT
- NL
- PT
- DA
- SV
- FI
- NO
- RU**
- PL
- CS
- HU
- RO
- LV
- LT
- ET
- HR
- SL
- SK
- BG
- UK
- TR



Отработанная электротехническая продукция должна уничтожаться вместе с бытовыми отходами. Утилизируйте, если имеется специальное техническое оборудование. По вопросам утилизации проконсультируйтесь с местным органом власти или предприятием розничной торговли.

### УСЛОВНЫЕ ОБОЗНАЧЕНИЯ В ДАННОМ РУКОВОДСТВЕ.



Детали или принадлежности, приобретаемые отдельно



Примечание



Осторожно

Следующие сигнальные слова и значения предназначены, чтобы объяснить уровни риска, связанного с этим изделием.

#### **ОПАСНО**

Указывает неизбежно опасную ситуацию, которая, если не избежать, кончится смертельным или серьезным ущербом.

#### **ОСТОРОЖНО**

Указывает потенциально опасную ситуацию, которая, если не избежать, может кончиться смертельным или серьезным ущербом.

#### **ПРЕДОСТЕРЕЖЕНИЕ**

Указывает потенциально опасную ситуацию, которая, если не избежать, может кончиться малым или уменьшенным ущербом.

#### **ПРЕДОСТЕРЕЖЕНИЕ**

Употребляется без предупреждающего знака

Указывает на ситуацию, которая может привести к повреждению имущества.

#### Транспортировка:

Категорически не допускается падение и любые механические воздействия на упаковку при транспортировке.

При разгрузке/погрузке не допускается использование любого вида техники, работающей по принципу зажима упаковок.

#### Хранение:

Необходимо хранить в сухом месте.

Необходимо хранить вдали от источников повышенных температур и воздействия солнечных лучей.

При хранении необходимо избегать резкого перепада температур.

Хранение без упаковки не допускается.

#### Срок службы изделия:

Срок службы изделия составляет 5 лет.

Не рекомендуется к эксплуатации по истечении 5 лет хранения с даты изготовления без предварительной проверки.

**Дата изготовления** (код даты) отштампован на поверхности корпуса изделия.

Пример:

W17 Y2015, где Y2015 - год изготовления

W17 – неделя изготовления

Определить месяц изготовления можно согласно приведенной ниже таблице, на примере 2015 года.

**Обратите внимание!** Количество недель в месяце различается от года в год.

Месяц	Январь	Февраль	Март	Апрель	Май	Июнь	Июль	Август	Сентябрь	Октябрь	Ноябрь	Декабрь	Год
Неделя	01	05	09	14	18	22	27	31	36	40	44	49	2015
	02	06	10	15	19	23	28	32	37	41	45	50	
	03	07	11	16	20	24	29	33	38	42	46	51	
	04	08	12	17	21	25	30	34	39	43	47	52	
	05	09	13	18	22	26	31	35	40	44	48	53	
		14			27								



W przypadku bezprzewodowych nożyc do żywopłotu zwrócono szczególną uwagę na zapewnienie bezpieczeństwa, wysokiej wydajności oraz niezawodności.

## PRZEZNACZENIE

Produkt jest przeznaczony do użytku wyłącznie na zewnątrz pomieszczeń. Ze względów bezpieczeństwa produkt należy obsługiwać dwiema rękami.

Produkt jest przeznaczony do domowego użytkowania. Urządzenie jest przeznaczone do cięcia i przycinania żywopłotów, krzewów i podobnych roślin.

Urządzenie należy stosować w warunkach suchych, przy dobrym oświetleniu.

NIE JEST ono przeznaczone do koszenia trawy, pilowania drzew lub konarów. Nie należy używać tego urządzenia w celu innym niż przycinanie żywopłotów.

## OGÓLNE ZASADY BEZPIECZEŃSTWA DOTYCZĄCE URZĄDZEŃ ELEKTRYCZNYCH

### ⚠ OSTRZEŻENIE

**Zapoznaj się ze wszystkimi zasadami bezpieczeństwa i instrukcjami.** Niezastosowanie się do ostrzeżeń i instrukcji może spowodować porażenie prądem, pożar oraz/lub poważne obrażenia ciała. Zachowajcie te ostrzeżenia i zalecenia, aby móc się do nich odnieść w późniejszym czasie.

Termin "elektronarzędzia" stosowany w przedstawionych tu zasadach bezpieczeństwa odnosi się zarówno do urządzeń zasilanych z sieci energetycznej (przewodowych) jak i urządzeń zasilanych z akumulatora (beziprzewodowych).

### OTOCZENIE ROBOCZE

- **Miejsce pracy musi być utrzymywane w czystości i dobrze oświetlone.** Obszary zaśmiecone lub niewystarczająco oświetlone mogą być przyczyną wypadku.
- **Nie wolno uruchamiać urządzeń elektrycznych w miejscach, gdzie grozi to wybuchem, na przykład w pobliżu łatwopalnych cieczy, gazów lub pyłów.** Urządzenia elektryczne mogą wytwarzać iskry, które mogą być przyczyną zapłonu pyłów lub oparów.
- **Podczas używania narzędzi elektrycznych należy utrzymywać osoby postronne i dzieci z dala od miejsca pracy.** Odwrócenie uwagi operatora może spowodować utratę kontroli nad urządzeniem.

### ZASADY BEZPIECZEŃSTWA DOTYCZĄCE OBSŁUGI URZĄDZEŃ ELEKTRYCZNYCH

- **Wtyczki zasilania elektronarzędzi muszą pasować do gniazd sieciowych. Nie wolno modyfikować wtyczek w żaden sposób. Nie wolno używać żadnych przejściówek do podłączania urządzeń posiadających przewód zasilania z uziemieniem.** Stosowanie oryginalnych wtyczek i dopasowanych gniazd sieciowych zmniejsza ryzyko porażenia prądem.
- **Unikać kontaktu ciała z powierzchniami uziemionymi lub podłączonymi do bieguna zerowego, np. rury,**

**instalacje grzewcze i chłodnicze.** Kontakt ciała z masą lub uziemieniem zwiększa ryzyko porażenia prądem.

- **Nie narażać tego produktu na działanie deszczu lub wody.** Przedostanie się wody do wnętrza elektronarzędzia zwiększa ryzyko porażenia prądem.
- **Nie uszkodzić przewodu zasilania. Nie wolno używać przewodu zasilania do przenoszenia, ciągnięcia urządzenia lub jego odłączania z gniazda sieciowego. Przewody elektryczne trzymać z dala od źródeł ciepła, oleju, ostrych krawędzi lub ruchomych elementów.** Uszkodzony lub zaplątany przewód elektryczny zwiększa ryzyko porażenia prądem.
- **W przypadku używania urządzenia na zewnątrz, ewentualne przedłużacze muszą być do tego przystosowane.** Zastosowanie przedłużacza przystosowanego do warunków zewnętrznych zmniejsza ryzyko porażenia prądem.
- **Jeśli nie można uniknąć użytkowania urządzenia elektrycznego w warunkach wilgotnych, należy je zasilac z obwodu zabezpieczonego wyłącznikiem różnicowo-prądowym (RCD).** Zastosowanie takiego wyłącznika pozwala zmniejszyć ryzyko porażenia prądem elektrycznym.

### BEZPIECZEŃSTWO OSOBISTE

- **Zachowywać skupienie, uważnie obserwować wykonywane czynności, stosować zasady zdrowego rozsądku podczas obsługi urządzenia. Nie używać urządzeń elektrycznych w stanie zmęczenia lub będąc pod wpływem leków, alkoholu lub środków odurzających.** Moment nieuwagi podczas obsługi elektronarzędzia może być przyczyną poważnego zranienia.
- **Stosować środki ochrony osobistej. Zawsze nosić okulary ochronne.** Stosowanie takich środków ochrony osobistej jak maska przeciwpyłowa, obuwie antypoślizgowe, twarde nakrycie głowy, nauszники pozwoli zmniejszyć ryzyko zranienia.
- **Unikać możliwości przypadkowego uruchomienia urządzenia. Przed podłączeniem do zasilania/ założeniem akumulatora lub w celu jego podniesienia lub przeniesienia należy upewnić się, że wyłącznik zasilania znajduje się w położeniu wyłączonym.** Przenoszenie elektronarzędzia z palcem na wyłączniku lub podłączenie zasilania do urządzenia, w którym wyłącznik znajduje się w położeniu włączonym grozi wypadkiem.
- **Usunąć wszelkie narzędzia i klucze przed włączeniem zasilania.** Uruchomienie elektronarzędzia z kluczem założonym na ruchomym elemencie grozi poważnym wypadkiem.
- **Nie sięgać zbyt daleko. Należy cały czas pewnie opierać stopy i utrzymywać równowagę.** Zapewni to lepsze panowanie nad urządzeniem w nieprzewidywanych sytuacjach.
- **Należy zakładać odpowiednią odzież ochronną. Nie zakładać luźnego ubioru ani biżuterii. Trzymać włosy, ubranie i okulary z dala od ruchomych elementów.** Mogą być one wciągnięte przez ruchome



części urządzenia.

- Jeśli używane urządzenie posiada przyłącze do wyciągu i gromadzenia kurzu, należy go używać w odpowiedni sposób. Stosowanie metod usuwania pyłu zmniejsza zagrożenie związane z jego gromadzeniem.

## UŻYTKOWANIE I KONSERWACJA URZĄDZEŃ ELEKTRYCZNYCH

- Nie przeciążać urządzenia. Używać odpowiedniego narzędzia do odpowiedniego rodzaju prac. Najlepsze efekty pracy, przy zachowaniu pełnego bezpieczeństwa, zapewni używanie urządzeń w zakresie parametrów znamionowych i stosownie do ich przeznaczenia.
- Nie używać tego urządzenia, jeśli wyłącznik nie pracuje poprawnie. Używanie elektronarzędzia bez sprawnego wyłącznika jest zbyt niebezpieczne - należy oddać je do naprawy.
- Przed przystąpieniem do regulacji, wymiany akcesoriów lub przed odłożeniem elektronarzędzia w miejsce przechowywania należy wyjąć wtyczkę z gniazda sieciowego lub wyjąć akumulator. Tego rodzaju środki zapobiegawcze pozwolą zmniejszyć ryzyko przypadkowego uruchomienia elektronarzędzia.
- Nieużywane urządzenia należy przechowywać poza zasięgiem dzieci. Nie wolno zezwalać osobom nie obeznanym z obsługą urządzeń elektrycznych na ich używanie. Urządzenia elektryczne mogą być niebezpieczne w rękach osób nieposiadających odpowiedniego przygotowania.
- Urządzenia elektryczne wymagają konserwacji. Należy sprawdzać wyrównanie elementów ruchomych, sprawdzać, czy nie ma jakichkolwiek uszkodzeń, uwzględnić wszelkie aspekty mające wpływ na bezpieczną pracę urządzenia. W przypadku stwierdzenia uszkodzeń, oddać urządzenie do naprawy. Wiele wypadków spowodowane jest używaniem urządzeń w niewłaściwym stanie technicznym.
- Elementy tnące muszą być ostre i czyste. Odpowiednio ostre krawędzie tnące ułatwią prowadzenie urządzenia i są bardziej odporne na uszkodzenie.
- Wszelkie urządzenia, przystawki, akcesoria itp. należy używać zgodnie z dołączonymi instrukcjami obsługi, z uwzględnieniem warunków i charakteru wykonywanej pracy. Używanie narzędzi w sposób niezgodny z ich przeznaczeniem grozi poważnym niebezpieczeństwem.

## UŻYTKOWANIE I OBSŁUGA AKUMULATORA

- Ładować wyłącznie za pomocą ładowarki dostarczonej przez producenta. Ładowarka przeznaczona do jednego modelu akumulatora może być przyczyną pożaru w przypadku zastosowania do ładowania akumulatora innego typu.
- Używać narzędzi ręcznych z napędem elektrycznym wyłącznie z akumulatorami przeznaczonymi do tych urządzeń. Używanie innych akumulatorów wiąże się ze zwiększonym ryzykiem pożaru lub obrażeń ciała.
- Gdy akumulator nie jest używany, przechowywać

go z dala od innych metalowych przedmiotów, np. spinaczy, monet, kluczy, gwoździ, śrub lub innych małych metalowych przedmiotów, które mogłyby utworzyć połączenie między stykami, prowadząc do zwarcia. Zwarcie styków akumulatora może spowodować oparzenia lub pożar.

- W przypadku niewłaściwej obsługi może dojść do wycieku płynu z akumulatora, należy unikać kontaktu z tym płynem. Miejsce ewentualnego kontaktu przepłukać wodą. W przypadku, gdy płyn dostanie się do oczu, po przemyciu zwrócić się o pomoc do lekarza. Płyn wyciekający z akumulatora może powodować podrażnienia i oparzenia.

## KONSERWACJA

- Urządzenie elektryczne powinno być naprawiane przez wykwalifikowany personel, z zastosowaniem identycznych części zamiennych. Dzięki temu zapewnione będzie bezpieczeństwo użytkowania urządzenia.

## OSTRZEŻENIA DOTYCZĄCE BEZPIECZNEJ OBSŁUGI NOŻYC DO ŻYWOPLÓTU

- Wszystkie kończyny należy trzymać z dala od ostrza. Nie usuwać nagromadzonej ścinki ani nie trzymać gałęzi do przecięcia w rękach gdy ostrza pracują. Przed przystąpieniem do usuwania nagromadzonego materiału upewnić się, że urządzenie jest wyłączone. Chwila nieuwagi podczas obsługi urządzenia może spowodować poważne urazy ciała.
- Przynarękę należy przenosić trzymając za rękojeść, ostrza nie mogą pracować. Do transportu lub przechowywania zakładać osłonę na element tnący. Odpowiednie obchodzenie się z przynaręką pozwoli zmniejszyć ryzyko zranienia przez jej ostrza.
- Elektronarzędzie należy trzymać wyłącznie za izolowane powierzchnie uchwytów, ponieważ ostrze może zetknąć się z ukrytą instalacją elektryczną pod napięciem. Kontakt ostrza z przewodem pod napięciem może spowodować przepływ prądu przez metalowe elementy urządzenia i porażenie operatora.

## DODATKOWE OSTRZEŻENIA DOTYCZĄCE BEZPIECZEŃSTWA

- W niektórych regionach obowiązują przepisy ograniczające używanie produktu w przypadku określonych działań. Informacje na ten temat można uzyskać w lokalnych urzędach. Przeczytać wszystkie instrukcje
- Oczyszczyć miejsce pracy każdorazowo przed rozpoczęciem pracy. Należy usunąć wszelkie objekty, takie jak przewody, światła lub druty, ponieważ mogą być one odrzucone przez ostrza lub mogą się w nie zaplątać.
- Należy sprawdzić, czy w żywopłocie nie ma obcych obiektów, takich jak drut ogrodzenia.
- W trakcie używania produktu w pobliżu ogrodzeń, słupków, budynków lub innych nieruchomości należy zachować szczególną ostrożność.





EN
FR
DE
ES
IT
NL
PT
DA
SV
FI
NO
RU
<b>PL</b>
CS
HU
RO
LV
LT
ET
HR
SL
SK
BG
UK
TR

- Należy zwrócić uwagę na wyrzucane obiekty; wszyscy przechodnie, dzieci oraz zwierzęta muszą znajdować się w odległości 15 m od obszaru pracy.
- Nie wolno zezwalać dzieciom ani osobom bez odpowiedniego przeszkolenia na korzystanie z tego urządzenia.
- Nie pracować w słabym oświetleniu. Operator musi dobrze widzieć miejsce pracy, aby móc zidentyfikować potencjalne zagrożenia.
- Przed przystąpieniem do użytkowania urządzenia należy upewnić się, że wszystkie uchwyty i osłony są prawidłowo zamontowane. Nigdy nie próbować używać produktu niekompletnego lub zmodyfikowanego w sposób niezatwierdzony.
- Przed użyciem należy sprawdzić, czy wszystkie przyrządy sterowania oraz zabezpieczenia działają prawidłowo. Nie należy używać narzędzia, jeśli wyłącznik („off”) nie umożliwi wyłączenia produktu.
- Przed każdym użyciem należy sprawdzić maszynę. Sprawdzić, czy wszystkie mocowania są dobrze dokręcone. Upewnić się, że wszystkie elementy zabezpieczające, osłony i uchwyty są prawidłowo i bezpiecznie zamocowane. Wymienić wszystkie uszkodzone elementy przed rozpoczęciem użytkowania. Sprawdzić, czy akumulator nie ma wycieków.
- Nie modyfikować produktu w jakikolwiek sposób.
- Należy nosić pełne zabezpieczenie oczu i uszu podczas obsługi produktu. W przypadku pracy w miejscu, gdzie występuje ryzyko spadających przedmiotów, należy nosić kask.
- Założyć grube, długie spodnie, wysokie buty i rękawice. Nie należy nosić luźnego ubrania, krótkich spodenek, biżuterii oraz nie chodzić boso.
- Długie włosy należy związać, aby znajdowały się powyżej ramion i aby nie zostały pochwycone przez maszynę.
- Stosowanie środków ochrony słuchu zmniejsza słyszalność ostrzeżeń (alarmów, okrzyków). Należy zwracać większą uwagę na to, co dzieje się w miejscu pracy.
- Praca podobnych narzędzi w pobliżu zwiększa ryzyko urazu słuchu oraz wtargnięcia innej osoby na miejsce pracy.
- Nie obsługiwać tego urządzenia w stanie zmęczenia, choroby, będąc pod wpływem alkoholu, środków odurzających lub leków.
- Stać stabilnie, zachowując równowagę. Nie sięgać zbyt daleko. Sięganie zbyt daleko grozi utratą równowagi i narażeniem na kontakt z gorącymi powierzchniami.
- Wszystkie kończyny należy trzymać z dala od ruchomych elementów urządzenia.
- Przed uruchomieniem urządzenia należy upewnić się, że ostrza tnące nie dotkną żadnego przedmiotu.
- Podczas obsługi nożyc do żywopłotu zawsze należy trzymać je obiema rękoma, chwytając obu uchwytów, zwracając uwagę na zapewnienie bezpiecznej i pewnej pozycji roboczej. Producent nie zaleca stosowania stopni ani drabin. Jeśli wymagane jest przycinanie

wysokiego żywopłotu, należy zastosować narzędzie z wysięgnikiem.

- Ostrza są ostre. Podczas prac związanych z zespołem ostrza, należy nosić antypoślizgowe, grube rękawice ochronne. Nie wkładać rąk lub palców pomiędzy ostrza ani w miejsce, gdzie może dojść do przecięcia lub zakleszczenia. Nigdy nie wolno dotykać ostrza ani serwisować urządzenia, jeśli pakiet akumulatora nie został odłączony
- Wyłączyć i wyjąć pakiet akumulatora przed:
  - regulacja położenia roboczego elementu tnącego
  - czyszczenie lub usuwanie blokad
  - pozostawianie produktu bez nadzoru
  - sprawdzenie, konserwacja lub obsługa produktu
- Nie wymuszać pracy przycinarki w gęstych krzewach. Może to spowodować stąpienie noży i zwolnienie ich pracy. Gdy noże zwalnają, zmniejszyć prędkość posuwu.
- Nie należy próbować przecinać konarów lub gałęzi o średnicy większej niż 18 mm (RHT1851R15, RHT1851R20, RHT1851R25, OHT1851R), 22 mm (RHT1855R40, OHT1855R) lub zbyt dużych. Do docinania większych konarów należy używać piły ręcznej lub piły ogrodniczej.
- Nie uruchamiać urządzenia z uszkodzonym lub nadmiernie zużyтым elementem tnącym.

#### ⚠ OSTRZEŻENIE

W przypadku upuszczenia produktu, narażenia jej na silne uderzenie lub w przypadku wystąpienia nietypowych wibracji należy natychmiast zatrzymać produkt i sprawdzić, czy nie ma oznak uszkodzenia lub ustalić przyczynę wibracji. Wszelkie uszkodzone części muszą być odpowiednio naprawione lub wymienione w autoryzowanym punkcie serwisowym.

#### TRANSPORT I PRZECHOWYWANIE

- Przed schowaniem lub transportem produktu należy zatrzymać go, wyjąć akumulator i odczekać, aż ostygnie.
- Usunąć z produktu wszelkie zanieczyszczenia. Należy przechowywać urządzenie w chłodnym, suchym i dobrze wentylowanym miejscu, które jest niedostępne dla dzieci. Aby zapewnić wyższy poziom bezpieczeństwa, akumulator należy przechowywać oddzielnie od nożyc do żywopłotu. Nie chowajcie jej w pobliżu czynników żrących, takich jak ogrodowe produkty chemiczne czy sole odmrażające. Nie przechowywać na zewnątrz.
- Do przechowywania lub transportu na ostrze należy zakładać osłonę.
- W przypadku transportu produktu należy zabezpieczyć go przed przemieszczaniem się lub upadkiem, aby nie dopuścić do obrażeń ciała lub uszkodzenia urządzenia.

#### TRANSPORTOWANIE AKUMULATORÓW LITOWYCH

Akumulatory należy transportować zgodnie z lokalnymi i krajowymi przepisami i regulacjami.

Należy postępować zgodnie z wszystkimi specjalnymi





wymaganiami dotyczącymi pakowania i etykietowania akumulatorów podczas transportu przez stronę trzecią. Upewnij się, że żadne akumulatory nie zetkną się z innymi akumulatorami lub materiałami przewodzącymi podczas transportu; w tym celu należy zabezpieczyć odkryte złącza nieprzewodzącymi nakładkami izolacyjnymi lub taśmą izolacyjną. Nie należy transportować pękniętych ani nieszczelnych akumulatorów. Szczegółowe porady można uzyskać w firmie spedycyjnej.

## KONSERWACJA

### ⚠ OSTRZEŻENIE

Należy stosować wyłącznie oryginalne części zamienne, akcesoria oraz przystawki producenta. W przeciwnym razie może dojść do obrażeń ciała, niskiej wydajności oraz do unieważnienia gwarancji.

### ⚠ OSTRZEŻENIE

Serwisowanie wymaga wyjątkowej staranności i wiedzy. Może być wykonywane wyłącznie przez wykwalifikowany personel serwisowy. W celu naprawy zaleca się oddać kosiarkę do najbliższego autoryzowanego punktu serwisowego. Do napraw używać wyłącznie identycznych zamienników.

### ⚠ OSTRZEŻENIE

Ostrza są ostre. Aby uniknąć obrażeń ciała, należy zachować szczególną ostrożność przy czyszczeniu, smarowaniu oraz montażu i demontażu osłony ostrza.

- Przed regulacją, konserwacją lub czyszczeniem należy wyjąć akumulator.
- Możesz wykonywać czynności regulacyjne i naprawcze opisane w tej instrukcji obsługi. W przypadku innych napraw należy skontaktować się autoryzowanym punktem serwisowym.
- Po każdym użyciu należy wyczyścić korpus oraz uchwyty produktu miękką, suchą szmatką.
- Po każdym użyciu należy usunąć pozostałości z ostrzy za pomocą sztywnej szczotki, a następnie, przed montażem osłony ostrza, ostrożnie nanieść środek smary chroniący przed rdzą. Producent zaleca stosowanie natryskowego środka smarnego chroniącego przed rdzą w celu naniesienia równomiernej warstwy oraz aby ograniczyć ryzyko obrażeń ciała na skutek kontaktu z ostrzami. Informacje na temat odpowiedniego produktu natryskowego można uzyskać w lokalnym autoryzowanym punkcie serwisowym.
- Przy pomocy powyżej metody można nasmarować lekko ostrza przed użyciem, jeśli występuje taka potrzeba.
- Systematycznie sprawdzać, czy wszystkie nakrętki, wkręty i śruby są dobrze dokręcone, aby upewnić się, że produkt jest w bezpiecznym stanie. Każdą uszkodzoną część należy odpowiednio naprawić lub wymienić w autoryzowanym punkcie serwisowym.

## RYZIKO ZWIĄZANE Z UŻYTKOWANIEM:

Nawet jeśli produkt jest używany zgodnie z zaleceniami, nadal nie jest możliwe wyeliminowanie określonych czynników ryzyka. Następujące zagrożenia mogą wystąpić podczas używania urządzenia i operator powinien zwracać szczególną uwagę na poniższe punkty:

- Urazy ciała spowodowane kontaktem z ostrzem
  - Zetknięcie z ostrzami może spowodować poważne urazy ciała. Nie zbliżać ostrza do swojego ciała ani do innych osób. Gdy ostrze nie jest używane, należy zabezpieczyć je osłoną.
- Urazy ciała spowodowane przez wibracje.
  - Zawsze należy używać do określonego zadania odpowiednich narzędzi, korzystać z przeznaczonych do tego uchwytów i stosować się do zaleceń dotyczących czasu pracy i narażenia.
- Uszkodzenie słuchu spowodowane narażeniem na hałas.
  - Należy nosić środki ochrony uszu oraz ograniczyć poziom narażenia.

## OGRANICZENIE RYZYKA

Badania dowodzą, że wibracje powodowane przez narzędzia ręczne mogą wywoływać u niektórych osób objawy syndromu Raynauda. Typowe objawy to mrowienie, drętwienie i blednięcie palców, widoczne zwykle po wystawieniu na działanie zimna. Uważa się, że czynniki dziedziczne, wystawienie na działanie zimna i wilgoci, dieta, palenie papierosów i przyjęte zwyczaje przyczyniają się do rozwoju tych objawów. Istnieją środki zaradcze, które może podjąć operator narzędzia, aby zmniejszyć efekt wibracji:

- Zadbaj w niskich temperaturach o ciepłotę własnego ciała, zakładając odpowiednie ubranie. Podczas obsługi produktu należy nosić rękawice, aby dłonie i nadgarstki były ciepłe.
- Podczas przerw w pracy należy wykonywać ćwiczenia poprawiające krążenie krwi..
- Podczas pracy robić częste przerwy. Ograniczyć ekspozycję w ciągu dnia.

W razie doświadczenia dowolnego z wymienionych objawów, należy niezwłocznie zaprzestać użytkowania tego urządzenia i skontaktować się z lekarzem.

### ⚠ OSTRZEŻENIE

Długotrwałe użytkowanie narzędzia może spowodować obrażenia ciała lub nasilić dolegliwości zdrowotne. W przypadku używania narzędzia przed dłuższy czas należy pamiętać o regularnych przerwach.

## OPIS

*Patrz str. 128.*

## CZĘŚCI

1. Tylny uchwyt
2. Przycisk uruchamiający
3. Przycisk blokady obrotu uchwytu
4. Przedni uchwyt
5. Przycisk kontrolny operatora



6. Osłona ochronna
7. Zamiatarka ogrodowa HedgeSweep™
8. Ostrze
9. Osłona ostrza
10. Akumulator
11. Przycisk zatrzasku akumulatora
12. Ładowarka

## SYMBOLE PRODUKTU



Alarm bezpieczeństwa



Przed uruchomieniem urządzenia prosimy uważnie przeczytać instrukcję.



Nosić środki ochrony słuchu



Zakładać środki ochrony wzroku



Podczas pracy przycinarkę do żywopłotów należy trzymać obiema rękami.



Zakładać antypoślizgowe, grube rękawice ochronne.



Aby nie dopuścić do poważnych urazów ciała, nie należy dotykać ostrzy.



Nie wystawiać urządzenia na działanie deszczu ani nie używać w miejscach o dużej wilgotności.



Uwaga na odrzucone przedmioty. Wszystkie osoby postronne, a szczególnie dzieci i zwierzęta, muszą znajdować się w odległości przynajmniej 15 metrów od miejsca pracy.



Narzędzie to spełnia wymogi wszystkich norm reglamentacji kraju UE, w którym było ono zakupione.



Znak zgodności EurAsian



Ukraiński znak zgodności



Podany na tej etykiecie gwarantowany poziom dźwięku to 94 dB.



Zużyte produkty elektryczne nie powinny być utylizowane z odpadami domowymi. Prosimy poddawać recyklingowi w odpowiednich miejscach. Informacje o właściwych metodach recyklingu można uzyskać u władz lokalnych lub sprzedawcy.

## SYMBOLE W TYM PODRĘCZNIKU



Części lub akcesoria sprzedawane oddzielnie



Objaśnienie



Ostrzeżenie!

Poniższe symbole i nazwy które im nadano, pozwalają wyjaśnić różne poziomy ryzyka związanego z używaniem tego narzędzia.

### ⚠ NIEBEZPIECZEŃSTWO

Wskazuje na realne zagrożenie, które może spowodować śmierć lub poważne zranienie, jeżeli się nie uniknie tego niebezpieczeństwa.

### ⚠ OSTRZEŻENIE

Wskazuje na potencjalne zagrożenie, które może spowodować śmierć lub poważne zranienie, jeżeli się nie uniknie tego niebezpieczeństwa.

### ⚠ UWAGA

Wskazuje na potencjalne zagrożenie, które może spowodować mniejsze lub bardziej poważne zranienie, jeżeli się nie uniknie tego niebezpieczeństwa.

### UWAGA

Bez symbolu ostrzeżenia  
Sytuacja, która może grozić uszkodzeniem mienia.



Bezpečnost, výkon a spolehlivost byli hlavní prioritou při návrhu vašeho bezdrátového plotostřihu.

### ZAMÝŠLENÉ POUŽITÍ

Tento výrobek je určen pouze pro venkovní používání. Z bezpečnostních důvodů je nutné s produktem řádně manipulovat oběma rukama.

Výrobek je navržen pro domácí používání. Tento výrobek je navržen pro sekání a úpravu živých plotů, keřů a podobně vegetace.

Měl by se používat v suchých, dobře osvětlených podmínkách.

NENÍ určen pro sekání trávy, stromů nebo větví. Neměl by se používat pro jiné účely než stříhání živých plotů.

### OBECNÁ BEZPEČNOSTNÍ VAROVÁNÍ K ELEKTRICKÝM NÁSTROJŮM

#### ⚠ VAROVÁNÍ

**Přečtěte si všechny pokyny a bezpečnostní varování.** Opomenutí dodržování varování a pokynů uvedených níže může způsobit úraz elektrinou požár a/ nebo vážná poranění osob. Ušchovejte všechny pokyny a upozornění, abyste se k nim mohli v budoucnosti vrátit.

Pojem „elektricky poháněný nástroj“ ve varování poukazuje na váš nástroj, který je napájen pomocí napájecího kabelu z elektrické sítě (s kabelem) nebo z baterie (bez přívodního kabelu).

#### PRACOVNÍ PROSTŘEDÍ

- **Udržujte pracovní prostor čistý a dobře osvětlený.** Zatarasené nebo tmavé oblasti vedou k nehodám.
- **Nepracujte s tímto elektricky poháněným nástrojem ve výbušných prostředích, například v přítomnosti hořlavých kapalin, plynů nebo prachu.** Elektricky poháněné nástroje vytváří jiskry, které mohou zapálit prach nebo výpary.
- **Udržujte děti a přihlízející během práce s elektricky poháněným nástrojem stranou.** Rozptylování může způsobit ztrátu kontroly.

#### ELEKTRICKÁ BEZPEČNOST

- **Zástrčky elektricky poháněného nástroje musí být shodné s elektrickou zásuvkou.** Nepokoušejte se zástrčku jakýmkoliv způsobem upravovat. Nepoužívejte žádný adaptér zástrček se zemněným (uzemněným) elektricky poháněným nástrojem. Neupravené zástrčky a shodné zásuvky snižují nebezpečí elektrického úrazu.
- **Předcházejte tělesnému kontaktu s uzemněnými nebo zemněnými povrchy, například trubkami, radiátory, sporáky a lednicemi.** Je zde zvýšené nebezpečí zásahu elektrickým proudem, pokud je vaše tělo zemněno nebo uzemněno.
- **Nevystavujte tento přístroj dešti nebo vlhkým podmínkám.** Voda vnikající do elektricky poháněného nástroje zvyšuje nebezpečí elektrického úrazu.
- **Nepoškožujte napájecí kabel. Nikdy pro odpojování,**

**táhnutí nebo přenášení elektricky poháněného nástroje nepoužívejte kabel. Udržujte kabel mimo horké plochy, olej, pohyblivé součásti nebo ostré hrany.** Poškozené nebo zamotané kabely zvyšují nebezpečí elektrického úrazu.

- **Pokud používáte elektricky poháněný nástroj ve venkovním prostředí, použijte prodlužovací kabel vhodný pro venkovní prostředí.** Použití kabelu vhodného pro venkovní prostředí snižuje nebezpečí elektrického úrazu.
- **Pokud používáte elektricky poháněný nástroj ve vlhkém prostředí, je nezbytné používat proudový chránič (PCH).** Použitím PCH snížíte nebezpečí poranění elektrickým proudem.

#### OSOBNÍ BEZPEČNOST

- **Budte ve střehu, hlídejte, co děláte a použijte zdravý rozum při provozu tohoto elektricky poháněného nástroje.** Elektrický nástroj nepoužívejte, pokud jste unaveni nebo pod vlivem drog, alkoholu nebo léků. Chvilce nepozornosti při práci s tímto elektricky poháněným nástrojem může způsobit vážná poranění osob.
- **Používejte osobní ochrannou výbavu. Vždy noste ochranu očí.** Ochranná výbava jako respirátor, protiskluzová obuv, ochranná přilba nebo ochrana sluchu použitá pro příslušné podmínky snižuje osobní poranění.
- **Zabraňte náhodnému spuštění. Zabezpečte, aby byl spínač v poloze vypnuto (off) před připojením zdroje energie a/nebo bloku baterií, přípravou nebo nesením nástroje.** Nošení elektrického nástroje s vaším prstem na spínači nebo se zapojenou zástrčkou elektrického nástroje může při zapnutí vést k nehodě.
- **Odstraňte všechny seřizovací klíče nebo šroubováky, než zapnete poháněný nástroj.** Klíč nebo šroubovák ponechaný přiložený k pohyblivému dílu elektricky poháněného nástroje může způsobit poranění osob.
- **Nepřeceňujte se. Udržujte řádné postavení a rovnováhu po celou dobu práce.** Toto umožňuje lepší ovládnutí poháněného nástroje v neočekávaných situacích.
- **Správně se oblékejte. Nenoste volný oděv nebo šperky. Udržujte svoje vlasy, oděv a rukavice mimo pohybující se části.** Volný oděv, šperky nebo dlouhé vlasy mohou být zachyceny do pohyblivých dílů.
- **Pokud jsou zařízení vybavena přípojkou pro odsávání prachu a sběrným zařízením, ujistěte se, že jsou správně připojeny k nástroji, a že se správně používají.** Použití odsavače prachu může snížit nebezpečí související s prachem.

#### POUŽITÍ A PÉČE O NÁSTROJ

- **Nepoužívejte nadměrnou sílu na nástroj. Nářadí vybírejte podle povahy práce, kterou chcete provádět.** Správný elektricky poháněný nástroj bude svou práci provádět lépe a bezpečněji při práci, pro kterou byl navržen.
- **Elektricky poháněný nástroj nepoužívejte, pokud spínač nezapíná a nevypíná.** Každý elektricky





poháněný nástroj, který nemůže být ovládán spínačem, je nebezpečný a musí být opraven.

- **Odpojte zástrčku od zdroje napájení a/nebo bateriový modul dříve, než provedete jakákoliv nastavení, výměnu příslušenství nebo než elektrický nástroj uložíte.** Také bezpečnostní preventivní opatření snižují riziko náhodného spuštění elektrického nástroje.
- **Ukládejte nečinný elektricky poháněný nástroj mimo dosah dětí a nenechávejte neznámé osoby pracovat s elektricky poháněným nástrojem nebo s těmito pokyny k obsluze elektrického nástroje.** Elektricky poháněné nástroje jsou nebezpečné v rukou nekvalifikovaných uživatelů.
- **Udržujte elektrické nástroje. Kontrolujte vychýlení nebo zasekávání pohyblivých dílů, rozbité části a každé jiné podmínky, které mohou ovlivnit funkci elektricky poháněných nástrojů. Zjistí-li se poškození, musí se elektricky poháněný nástroj před použitím opravit.** Mnoho úrazů je způsobeno nedostatečně udržovanými elektricky poháněnými nástroji.
- **Udržujte řezné nástroje ostré a čisté.** Řádně udržované řezné nástroje s ostrými řeznými hranami mají nízkou pravděpodobnost zaseknutí a jsou snadněji ovladatelné.
- **Poháněné nástroje, příslušenství a vrtáky, atd. používejte v souladu s těmito pokyny s ohledem k pracovním podmínkám a práci, která má být provedena.** Použití elektricky poháněného nástroje pro práce jiné, než zamýšlené by mohlo mít za následek nebezpečnou situaci.

## POUŽITÍ A PÉČE O NÁSTROJ NA BATERIE

- **Dobíjejte pouze nabíječkou určenou výrobcem.** Nabíječka, která je vhodná pro jeden typ akumulátoru může způsobit nebezpečí požáru, pokud se používá s jiným bateriovým modulem.
- **Elektrický nástroj používejte pouze s přesně určeným bateriovým modulem.** Použití jakéhokoliv jiného akumulátoru může způsobit nebezpečí poranění a požáru.
- **Pokud akumulátor nepoužíváte, uchovávejte jej mimo kovové předměty jako svorky pro papír, mince, klíče, hřebíky, šrouby nebo jiné malé kovové předměty, které mohou vytvořit propojení jednoho vývodu s druhým.** Zkratování vývodů baterie může způsobit požár nebo popáleniny.
- **Za nevhodných podmínek může z baterie vytékat kapalina; zabraňte kontaktu. Pokud dojde k náhodnému kontaktu, omyjte vodou. Pokud kapalina přijde do kontaktu s očima, vyhledejte lékařskou pomoc.** Kapalina vytečená z baterie způsobit podráždění nebo popáleniny.

## ÚDRŽBA

- **Váš elektricky poháněný nástroj smí opravovat pouze kvalifikovaný opravárenský pracovník a musí používat pouze shodné náhradní díly.** Toto zajišťuje udržování bezpečnosti elektricky poháněného nástroje.

## BEZPEČNOSTNÍ VAROVÁNÍ K PLOTOSTŘIHU

- **Udržujte všechny části těla mimo ostří nože. Neodstraňujte pořezaný nebo zachycený materiál, když se nože pohybují. Přesvědčte se, že je spínač vypnut, když čistíte zaseknutý materiál.** Chvilke nepozornosti při práci s tímto výrobkem může způsobit vážná osobní poranění.
- **Plotostřih přenášíte za rukojeť se zastavenou žací lištou. Pokud plotostřih přepravujete nebo skladujete, vždy nasadte ochranné pouzdro nože.** Správná obsluha nůžek pro živý plot snižuje možné osobní poranění od řezacích nožů.
- **Elektrický nástroj držte pouze za izolované úchopovou plochu, protože může dojít ke styku nože se skrytými vodiči.** Kontakt s nože „živým“ vodičem způsobí, že kovové části elektrického nástroje se stanou také „živými“ a způsobí elektrický úraz obsluze.

## DOPLŇUJÍCÍ BEZPEČNOSTNÍ VAROVÁNÍ

- Místní předpisy mohou omezovat použití výrobku. Ověřte si u svého orgánu místní správy toto nařízení. Přečtěte si všechny pokyny
- Před každým použitím si vyčistěte pracovní oblast. Odstraňte všechny předměty, například kabely, svítidla, dráty nebo strunu, které se mohou vymrštit nebo zamotat do sekacího nástroje.
- Zkontrolujte živý plot na cizí předměty, např. drátěný plot.
- Při používání výrobku v blízkosti plotů, sloupů, budov a jiných nemovitých předmětů dbejte zvýšené pozornosti.
- Vyhýbejte se při sekání odmrštování předmětů; všechny přihlízející, zvláště děti a zvířata, udržujte ve vzdálenosti alespoň 15 m od pracovní oblasti.
- Nenechávejte děti nebo neproškolené osoby používat tento přístroj.
- Neprovodujte při slabém osvětlení. Obsluha musí mít čistý výhled na pracovní oblast k identifikaci potenciálních nebezpečí.
- Vždy se ujistěte, že jsou nainstalovány všechny rukojeti a ochrany, když stroj používáte. Nikdy se nepokoušejte používat neúplný výrobek nebo výrobek opatřený neautorizovanými úpravami.
- Před každým použitím se ujistěte, že všechny ovladače a jištění řádně fungují. Nástroj nepoužívejte, pokud přepínač „nevyplíná“ (off) nástroj.
- Zkontrolujte nástroj před každým použitím. Zkontrolujte, zda nejsou uvolněny upínací prvky. Ujistěte se, že jsou všechny ochranné kryty a rukojeti správně a bezpečně nasazeny. Před použitím vyměňte jakékoliv poškozené součásti. Proveďte kontrolu akumulátoru na netěsnost.
- Výrobek žádným způsobem neupravujte.
- Při práci s výrobkem používejte kompletní ochranu zraku a sluchu. Noste ochrannou helmu, kde hrozí nebezpečí pádu předmětů.
- Noste silné dlouhé kalhoty, boty a rukavice. Nenoste volné oděvy, krátké kalhoty, jakékoli šperky; nebuďte při práci bosí.
- Dlouhé vlasy si svažte nad rameny, aby se nemohly

EN
FR
DE
ES
IT
NL
PT
DA
SV
FI
NO
RU
PL
<b>CS</b>
HU
RO
LV
LT
ET
HR
SL
SK
BG
UK
TR





zaplést do pohyblivých částí.

- Uvědomte si, že použití ochrany sluchu snižuje vaši schopnost slyšet varování (poplachy nebo výkřiky). Obsluha si musí být tohoto vědoma a platí speciální upozornění, aby si všímala události v jeho pracovní oblasti.
- Obsluha podobných nástrojů zvyšuje jak nebezpečí poranění sluchu, tak osob vstupujících do zóny práce.
- Nepoužívejte, pokud jste unaveni nebo pod vlivem drog, alkoholu nebo léků.
- Udržujte bezpečné postavení a rovnováhu. Nepřečeňujte se. Přeceňování může mít za následek ztrátu rovnováhy nebo vystavení horkým plochám.
- Udržujte všechny části těla mimo pohyblivé součásti.
- Před spuštěním nástroje se ujistěte, že nože nůžek nejsou s ničím v kontaktu.
- Při stříhání živého plotu držte vždy nářadí pevně oběma rukama a zajistěte, abyste měli bezpečnou pracovní polohu. Výrobce nedoporučuje používat žebřík nebo schůdky. Je-li třeba práci vykonávat ve výšce, použijte nástroj pro práci ve výškách.
- Žací lišty jsou ostré. Noste neklouzavé, odolné ochranné rukavice, když manipulujete s žací lištou. Nedávejte své ruce a prsty mezi žací lišty nebo do jakéhokoliv místa, kdy by se mohli uříznout nebo přiskřípnout. Nikdy se nedotýkejte žací lišty ani neprovádějte údržbu zařízení, pokud není vyndán akumulátor.
- Vypněte a vyjměte akumulátor před:
  - seřídíte pracovní polohu řezacího zařízení
  - čištění nebo odstranění ucpávký
  - ponechání výrobku bez dozoru
  - kontrola, údržba nebo práce na nástroji
- Nepoužívejte násilí při stříhání tvrdých keřů. Může to způsobit zaseknutí nože do dřeva a zpomalování. Pokud se nože zpomalují, snižte rychlost.
- Nepokoušejte se řezat větve nebo kmeny silnější než 18 mm (RHT1851R15, RHT1851R20, RHT1851R25, OHT1851R), 22 mm (RHT1855R40, OHT1855R) nebo evidentně příliš silné, na které nože nestačí. Použijte neelektrickou ruční pilu nebo vyvétvovací pilu pro řezání velkých větví.
- Nepokoušejte se stroj provozovat s poškozeným nebo velmi opotřebovaným řezacím zařízením.

#### VAROVÁNÍ

Pokud začne po pádu, silných nárazech nástroj nenormálně vibrovat, zastavte nástroj a ihned zjistěte příčinu vibrací a rozsah škod. Pokud je nějaká část poškozena, musí se nechat řádně opravit nebo vyměnit pověřeným servisním střediskem.

#### TRANSPORT A SKLADOVÁNÍ

- Před skladováním a transportem výrobku vydejte akumulátor a nechejte výrobek vždy vychladnout.
- Odstraňte z výrobku všechny cizí materiál. Ukládejte v chladných, suchých a dobře větraných prostorech, které nejsou přístupné dětem. Před skladováním vždy

vyjměte akumulátorový modul ze zařízení pro zvýšení bezpečnosti. Nářadí neuskładňujte v blízkosti žíravých látek, jako například v blízkosti zahrádkářských nebo zahradnických chemických přípravků nebo soli na zimní sypaní komunikací. Neskladujte mimo budovu.

- Před skladováním nebo přepravováním výrobku vždy na nůž umistujte chránič nože.
- Při transportu výrobku zajistěte proti pohybům nebo pádu, abyste zabránili poranění osob nebo poškození výrobku.

#### TRANSPORT LITHIOVÝCH BATERIÍ

Přenos baterií dle místních a národních opatření a předpisů.

Dodržujte všechny zvláštní požadavky na balení a značení při transportu baterií třetí stranou. Zajistěte, aby žádné baterie nepřišly do kontaktu s jinými bateriemi nebo vodivými materiály při transportu pomocí ochrany nekrytých kontaktů prostřednictvím izolace, nevodivých krytek či lepicích pásek. Nepřepravujte prasklé nebo baterie s unikajícím elektrolytem. Ptejte se u zásilkové společnosti na další radu.

#### ÚDRŽBA

#### VAROVÁNÍ

Používejte pouze originální příslušenství, doplňky a náhradní díly výrobce. Zanedbání může zapříčinit možné poranění, slabý výkon a možno dojít ke ztrátě záruky.

#### VAROVÁNÍ

Údržba vyžaduje extrémní péči a znalosti a měla by být prováděna pouze kvalifikovaným servisním technikem. Pro údržbu nebo servis doporučujeme výrobek vrátit do nejbližšího pověřeného opravárenského střediska. Pokud opravujete, používejte pouze stejné náhradní díly.

#### VAROVÁNÍ

Nože jsou velmi ostré. Pro zabránění poranění osob buďte velmi opatrní při čištění, mazání a upevňování či demontáži krytu nože.

- Před seřizováním, údržbou a čištěním vyjměte akumulátor.
- Můžete provádět v návodu k obsluze uvedené opravy a seřizení. Další opravy se smí provádět pouze u pověřených servisních prodejců.
- Po každém použití očistěte těleso a rukojeti výrobku měkkým a suchým hadříkem.
- Po každém použití očistěte nečistoty z nožů tvrdým štětcem a poté opatrně naneste antikorozní přípravek před upevněním krytu nože. Výrobce doporučuje používat antikorozní a mazací sprej pro rovnoměrné nanesení a snížení nebezpečí poranění při kontaktu s noži. Informace o vhodném spreji získáte u místního pověřeného servisního střediska.



- Před každým použitím lze nože lehce namazat, je-li to nutné, aplikujte metodu uvedenou výše.
- Zkontrolujte všechny šrouby, matice v častých intervalech na řádné utažení, aby se zajistilo, že výrobek bude pracovat v bezpečných pracovních podmínkách. Jakýkoliv poškozený díl je nutné správně opravit nebo nechat vyměnit v autorizovaném servisním středisku.

## ZBYTKOVÁ RIZIKA

Dokonce, i když se výrobek provozuje jak je předepsáno, je stále nemožné zcela eliminovat veškeré zbytkové rizikové faktory. Následující nebezpečí mohou nastat při používání; vyhýbejte se:

- zranění z kontaktu s nožem.
  - Kontakt s noží může způsobit vážný úraz. Nůž udržujte od sebe a osob i zvířat. Nasazujte kryt nože vždy, když s ním nepracujete.
- Poranění způsobené vibracemi.
  - Pro danou práci vždy používejte správný nástroj, navržené rukojeti a dodržujte pracovní dobu a expozici.
- Poškození sluchu způsobeného expozicí hluku.
  - Noste ochranu sluchu a omezte vystavení.

## SNÍŽENÍ RIZIKA

Bylo zjištěno, že vibrace z ručních pracovních nástrojů mohou u některých osob přispívat ke stavu tzv. Raynaud's Syndrome (Raynaudovu syndromu). Mezi jeho příznaky patří brnění, necitlivost a zblednutí prstů, patrné obvykle po pobytu v chladu. Vědci se domnívají, že k rozvinutí těchto příznaků přispívají dědičné faktory, pobyt v chladu a vlhku, strava, kouření a pracovní návyky. Uživatel může omezit případné působení vibrací použitím vhodných opatření:

- Za chladného počasí se teple oblečte. Při práci s výrobkem si navlékněte rukavice, abyste udrželi ruce a zápěstí v teple.
- Během práce si v pravidelných intervalech zacvičte, abyste zvýšili krevní oběh.
- Zařazujte časté pracovní přestávky. Omezte dobu práce za den.

Jakmile pocítíte některý z výše uvedených příznaků tohoto syndromu, okamžitě přerušete práci a vyhledejte lékaře.

## VAROVÁNÍ

Poranění mohou být způsobena, či zhoršena, prodlouženým používáním nástroje. Když používáte jakýkoliv nástroj delší dobu, dělejte pravidelně přestávky.

## POPIS

Viz strana 128.

## SOUČÁSTI

1. Zadní rukojeť
2. Spoušť
3. Zajišťovací tlačítko otočné rukojeti
4. Přední rukojeť
5. Spínač přítomnosti obsluhy
6. Ochrana přední ruky

7. HedgeSweep™ sběrače odřezků
8. Nůž
9. Kryt nože
10. Baterie
11. Tlačítko západky akumulátoru
12. Nabíječka

## SYMBOLY NA VÝROBKU



Bezpečnostní výstraha



Před spuštěním přístroje si řádně přečtěte pokyny.



Noste ochranu sluchu



Noste ochranu očí



Plotstřih vždy držte během používání pevně oběma rukama.



Navlékněte si pevně neklouzavé rukavice.



Pro zabránění poranění se nedotýkejte řezacích nožů.



Nevystavujte dešti nebo nepoužívejte ve vlhkých podmínkách.



Dávejte pozor na odmrštěné nebo odletující předměty. Všechny přihlízející, zvláště děti a zvířata udržujte ve vzdálenosti alespoň 15 m od pracovní oblasti.



Toto nářadí je v souladu se všemi normami a předpisy platnými v zemi EU, ve které bylo zakoupeno.



Euroasijská značka shody



Ukrajinská značka shody



Garantovaná hladina akustického výkonu zobrazená na tomto štítku je 94 dB.



Odpad elektrických výrobků se nesmí likvidovat v domovním odpadu. Recykluje prosím na sběrných místech. Ptejte se u místních úřadů nebo prodejce na postup při recyklaci.

## SYMBOLY V NÁVODU



Díly nebo příslušenství jsou v prodeji samostatně



Poznámka



Varování

Následující signální slova a významy jsou vhodné pro vysvětlení úrovní nebezpečí spojených s tímto výrobkem.

### **NEBEZPEČÍ**

Označuje bezprostředně rizikovou situaci, které je třeba předejít, jinak bude jejím následkem smrt nebo vážné zranění.

### **VAROVÁNÍ**

Označuje možnou rizikovou situaci, které je třeba předejít, jinak jejím následkem může být smrt nebo vážné zranění.

### **VAROVÁNÍ**

Označuje možnou rizikovou situaci, které je třeba předejít, jinak jejím následkem může být smrt nebo vážné zranění.

### **VAROVÁNÍ**

Bez symbolu bezpečnostní výstrahy

Určuje situaci, která může mít za následek vážné poškození.





EN
FR
DE
ES
IT
NL
PT
DA
SV
FI
NO
RU
PL
CS
<b>HU</b>
RO
LV
LT
ET
HR
SL
SK
BG
UK
TR

Az akkumulátoros sövényvágó kifejlesztésekor a biztonságot, a teljesítményt és a megbízhatóságot tartottuk szem előtt.

## RENDELTESSZERŰ HASZNÁLAT

A termék kizárólag a szabadban használható. Biztonsági okokból a terméket kétkézes működtetéssel megfelelő ellenőrzés alatt kell tartani.

A termék otthoni vagy háztartási használatra készült. A termék sövény, cserje és más hasonló növényzet vágására és nyírására szolgál.

Száraz, jól megvilágított környezetben kell használni.

NEM használható fű, fák vagy ágak vágására. Sövényvágáson kívül más célra nem használható.

## ÁLTALÁNOS BIZTONSÁGI FIGYELMEZTETÉSEK AZ ELEKTROMOS SZERSZÁMGÉPRE VONATKOZÓAN

### ▲ FIGYELMEZTETÉS

**Olvassa el az összes biztonsági figyelmeztetést és útmutatást.** A figyelmeztetések és utasítások be nem tartása elektromos áramütést, tüzet és/vagy súlyos sérülést eredményezhet. Őrizz meg ezeket a figyelmeztetéseket és utasításokat a későbbi tájékozódásra is.

A figyelmeztetésekből a „szerszámgép” kifejezés az elektromos hálózatról (kábelrel) működtetett vagy akkumulátorról (kábel nélkül) működtetett gépet jelenti.

### MUNKATERÜLET

- **A munkaterületet tartsa tisztán és jól megvilágítva.** A rendetlen vagy sötét munkaterületek balesetekhez vezethetnek.
- **Az elektromos szerszámgépeket ne működtesse robbanásveszélyes környezetben, mint például robbanásveszélyes folyadékok, gázok vagy porok jelenlétében.** Az elektromos gépekben szikrák keletkeznek, amik begyűjthetik a port vagy a gőzöket.
- **Az elektromos szerszámgép használatakor a gyerekeket és a kívülállókat tartsa távol.** A figyelem elterelődése az irányítás elvesztését okozhatja.

### ELEKTROMOS BIZTONSÁG

- **A szerszámgép dugaszának illeszkednie kell az aljzathoz.** Semmilyen módon ne módosítsa a dugaszt. A földelt elektromos gépekhez ne használjon adapter dugaszt. A nem módosított és illeszkedő dugasz csökkenti az áramütés kockázatát.
- **Kerülje az érintkezést földelt felületekkel, mint például csövekkel, radiátorokkal és hűtőkkel.** Megnöveli az áramütés kockázatát, ha a teste földeltté válik.
- **Ne tegye ki a terméket esőnek vagy nedves környezet hatásának.** A szerszámgépekbe kerülő víz növeli az áramütés kockázatát.
- **Ne rongálja meg a kábelt.** A szerszámgép kábelét soha ne használja a szerszám hordozására, húzására vagy kihúzására. A kábelt hőtől, olajtól,

éles tárgyaktól vagy mozgó alkatrészekről tartsa távol. A sérült vagy beakadt kábelek növelik az áramütés kockázatát.

- **Szerszámgépnek a szabadban való működtetésekor kültéri használatra is megfelelő hosszabbító kábelt használjon.** Kültéri használatra megfelelő hosszabbító kábel csökkenti az áramütés kockázatát.
- **Ha a szerszámgép használata nedves környezetben elkerülhetetlen, használjon áram-védőkacsolót (RCD).** Az RCD használata csökkenti az áramütés kockázatát.

### SZEMÉLYI BIZTONSÁG

- **Elektromos szerszámgép működtetésekor legyen mindig éber, figyeljen arra, amit csinál, és használja a józan esztét.** Ne használja a szerszámgépet, ha fáradt vagy alkohol, gyógyszer illetve más tudatmódosító szerek hatása alatt áll. A gép használata közben már egyetlen figyelmen kívül hagyás súlyos személyi sérüléshez vezethet.
- **Használjon személyi védelmi eszközöket. Mindig viseljen védőszemüveget.** A védelmi felszerelések, mint például a pormaszk, a csúszásmentes biztonsági lábbelik, a védősisak vagy a fülvédő megfelelő használatra csökkenti a személyi sérüléseket.
- **Kerülje el a véletlen bekapcsolást. A szerszám szállítása vagy felemelése, az áramellátás és/vagy akkumulátor csatlakoztatása előtt ellenőrizze, hogy a kapcsoló kikapcsolt állásban van.** Szerszámgépek szállítása a kapcsolón tartott ujjal vagy bekapcsolt szerszámgépek áram alá helyezése balesetekhez vezet.
- **A szerszámgépről bekapcsolás előtt távolítson el minden beállító kulcsot és csavarkulcsot.** Egy a szerszámgép forgó alkatrészén maradt beállító kulcs vagy csavarkulcs személyi sérülést eredményezhet.
- **Ne hajtson ki túlságosan. Mindig tartson megfelelő testtartást és egyensúlyt.** Ez a szerszámgép jobb irányítását teszi lehetővé váratlan szituációkban.
- **Viseljen megfelelő ruházatot. Ne vegyen fel laza ruhát vagy ékszereket. A haját, a ruháit és a kesztyűjét tartsa távol a forgó alkatrészekről.** A laza ruházat, ékszerek vagy a hosszú haj beakadhatnak a mozgó alkatrészekbe.
- **Ha a gép el van látva porkivezető vagy -gyűjtő berendezésekhez való csatlakozási lehetőséggel, akkor ügyeljen rá, hogy ezeket csatlakoztassák és megfelelően használják.** A porfogó használata csökkentheti a porral kapcsolatos veszélyeket.

### A SZERSZÁMGÉP HASZNÁLATA ÉS KARBANTARTÁSA

- **Ne erőltesse a terméket. A feladathoz a megfelelő szerszámgépet használja.** A megfelelő szerszámgép jobb teljesítménnyel és sokkal biztonságosabban fog dolgozni olyan körülmények között, amilyenekre azt tervezték.
- **Ne használja a szerszámgépet, ha a kapcsoló nem kapcsol be és ki.** Bármilyen szerszámgép veszélyes, amit a kapcsolóval nem lehet irányítani, ezért azt meg kell javítani.





- Bármilyen beállítás, tartozékcsere elvégzése vagy a szerszámgép tárolása előtt húzza ki a szerszámgépet a hálózathoz és/vagy vegye ki az akkumulátort a szerszámgépéből. Az ilyen megelőző biztonsági óvintézkedések csökkentik a szerszámgép véletlen bekapcsolódásának kockázatát.
- A használaton kívüli gépet gyerekek számára nem elérhető helyen tárolja, és ne hagyja, hogy a szerszámgépet vagy a kézikönyvet nem ismerő személyek használják a szerszámgépet. Gyakorlatlan felhasználók kezében a szerszámgépek veszélyesek.
- Tartsa megfelelő állapotban a szerszámgépeket. Ellenőrizze a mozgó alkatrészek akadását vagy helytelen beállítását, az alkatrészek törését és minden más körülményt, ami hatással lehet a szerszámgép működésére. Ha sérült, a szerszámgépet használat előtt meg kell javítani. Sok balesetet a rosszul karbantartott szerszámgépek okoznak.
- A vágószerszámok legyenek élesek és tiszták. A megfelelően karbantartott, és világos vágószerszámok kevésbé akadnak be és könnyebben irányíthatók.
- A szerszámgépet, a tartozékokat és a biteket stb. ezen utasításban leírtaknak megfelelően használja, figyelembe véve a munkakörülményeket és az elvégzendő feladatokat. A szerszámgép rendeltetésétől eltérő műveletekre való használata veszélyes helyzeteket eredményezhet.

## AKKUMULÁTOROS SZERSZÁMGÉP HASZNÁLATA ÉS KARBANTARTÁSA

- Csak a gyártó által megadott töltővel töltsen az akkumulátorokat. Egy adott akkumulátortípushoz való töltő egy másik típusú akkumulátorral való használata tűzveszélyes lehet.
- A szerszámokat csak a hozzájuk való akkumulátorokkal üzemeltesse. Más akkumulátorok használata tűzveszélyes lehet, és sérüléseket okozhat.
- Az akkumulátort használaton kívül tartsa távol más fém tárgyaktól, úgymint gemkapcsoktól, érméktől, kulcsoktól, szögektől, csavaroktól vagy más kisméretű fém tárgyaktól, amelyek rövidek zárhatják a két érintkezőt. Az akkumulátor érintkezőinek rövidek zárása tüzet vagy égéseket okozhat.
- Nem megfelelő körülmények esetén folyadék távozhat az akkumulátorból, kerülje az azzal való érintkezést. Ha mégis érintkezik vele, öblítse le vízzel. Ha a folyadék szembe kerül, forduljon orvoshoz. Az akkumulátorból kifolyt folyadék irritációt vagy égéseket okozhat.

## KARBANTARTÁS

- A szerszámgépet csak szakképzett szervizszakemberrel szervizeltesse, csak azonos cserealkatrészeket használva. Ez biztosítja, hogy a szerszámgép használata továbbra is biztonságos legyen.

## SÖVÉNYVÁGÓ BIZTONSÁGI FIGYELMEZTETÉSEK

- Minden testrészét tartsa távol a vágókéstől. Ne távolítsa el a levágott anyagot, és ne tartsa a levágni kívánt anyagot mozgzó kések mellett. Az elakadt anyagot levágó tisztításkor ügyeljen arra, hogy a kapcsoló kikapcsolt állásban legyen. A termékek használata közben már egyetlen figyelmen kívül hagyott pillanat is súlyos személyi sérüléshez vezethet.
- A sövényvágót a fogantyúnál fogva, leállított vágókéssel szállítsa. A sövényvágó szállításakor vagy tárolásakor mindig rakja fel a vágóeszköz burkolatát. A sövényvágó helyes kezelése lecsökkenti a vágókések okozta személyi sérülések bekövetkeztének lehetőségét.
- A szerszámgépeket mindig a szigetelő fogófelületeiknél fogja, mert a vágóeszköz rejtett vezetékbe vágthat. Az „élő” vezetékkel érintkező vágóeszköz következtében a szerszám fém alkatrészei áram alá kerülhetnek, minek következtében a kezelő áramütés érheti.

## TOVÁBBI BIZTONSÁGI FIGYELMEZTETÉSEK

- Egyes régiókban olyan előírások érvényesek, amelyek korlátozzák a termék bizonyos műveletekre való használatát. További információért forduljon a helyi önkormányzathoz. Olvassa el az összes utasítást
- A használat előtt tisztítsa meg a munkaterületet. Távolítsa el az összes tárgyat, például a kábeleket, lámpákat, drótokat vagy zsinórokat, amelyek kirepülhetnek vagy beakadhatnak a vágókésbe.
- Ellenőrizze a sövényt idegen tárgyak, pl. drótkerítés tekintetében.
- Különösen óvatosan legyen, amikor a terméket kerítés, oszlopok, épületek vagy egyéb mozdíthatatlan tárgyak mellett használja.
- Figyeljen a kivetett tárgyra; a nézelődők, különösen a gyerekek és a háziállatok, legyenek legalább 15m-es távolságra a használati területtől.
- Ne engedje, hogy gyerekek vagy megfelelő gyakorlattal nem rendelkező személyek használják a terméket.
- Ne használja a gépet gyenge megvilágítás esetén. A kezelőnek tiszta rálátással kell rendelkeznie a munkaterületre, hogy azonosíthassa a potenciális veszélyeket.
- A gép használatakor mindig ügyeljen rá, hogy minden fogantyú és védőburkolat fel legyen szerelve. Soha ne használjon hiányosan, vagy olyan terméket, melyen jogosulatlan módosítást hajtottak végre.
- Minden használat előtt ellenőrizze, hogy az összes kezelőszerv és biztonsági eszköz megfelelően működik. Ne használja a gépet, ha a főkapcsoló nem állítja le a motort.
- Minden használat előtt vizsgálja át a gépet. Ellenőrizze a meglazult szorítókat. Ügyeljen rá, hogy minden a védőburkolat és fogantyú megfelelően fel legyen szerelve és rögzítve. Használat előtt cserélje ki az összes sérült alkatrészt. Ellenőrizze az akkumulátor szivárgását.





- Ne alakítsa át a terméket semmilyen módon.
- Viseljen teljes szem- és fülvédőt a termék használata közben. Kötelező a fejtámasz viselete, ha olyan területen dolgozik, ahol tárgyak hullhatnak le.
- Viseljen vastag anyagból készült hosszú nadrágot, csizmát és kesztyűt. Ne vegyen fel laza ruhát, rövid nadrágot, semmilyen ékszert, illetve ne legyen meztláb.
- Ha hosszú a haja, azt a vállvonal felett rögzítse, nehogy beakadjon valamilyen mozgó alkatrészbe.
- Fülvédő viseletekor csak korlátozottan hallja a figyelmeztetéseket (riasztást vagy kiáltást). A kezelőnek jobban oda kell figyelnie arra, hogy mi folyik a munkaterületen.
- Hasonló gépek egymás közelében történő használata növeli a halláskárosodás veszélyét, valamint annak veszélyét, hogy más személyek lépnek be az Ön munkaterületére.
- Ne használja a terméket, ha fáradt, beteg vagy alkohol, gyógyszerek, illetve más tudatmódosítók hatása alatt áll.
- Stabilan álljon és vegyen fel megfelelő egyensúlyt. Ne hajoljon ki túlságosan. A túlzott kinyúlás egyensúlyvesztést vagy forró felületekkel való érintkezést eredményezhet.
- A testrészeit tartsa távol a mozgó alkatrészekről.
- A gép bekapcsolása előtt győződjön meg róla, hogy a vágókések semmivel nem fognak érintkezni.
- A sövényvágót használat közben mindig a két fogantyúnál fogja mindkét kezével, és vigyázzon arra, hogy biztonságos és stabil legyen a testhelyzete a használat közben. A gyártó nem javasolja fellépők vagy létrák használatát. Ha a magasban kell vágni, használjon nagyobb hatótávolságú gépet.
- A kések élesek. A késszerelvény kezelésekor viseljen csúszásmentes, nehéz igénybevételere tervezett védőkesztyűt. Az ujjait vagy a kezét ne tegye a kések közé vagy bármilyen más pozícióba, ahol becsípődhetnek vagy levághatja azokat. Ne érjen a késhez és ne szervizelje a gépet addig, amíg az akkumulátort el nem távolította.
- Kapcsolja ki a gépet és vegye ki az akkumulátort, mielőtt:
  - a vágóeszköz működési pozíciójának beállítása
  - tisztítás vagy eltömődés megszüntetése
  - a termék felügyelet nélkül hagyása
  - ellenőrzi, karbantartja vagy dolgozik a terméken
- Sűrű bokrokon soha ne erőltesse a sövényvágót. Ez a kések beakadását és a lelassulását okozhatja. Ha a kés lelassult, csökkentse a haladási sebességét.
- Ne próbáljon olyan ágakat vagy tüskéket elvágni, amelyek vastagabbak 18 mm (RHT1851R15, RHT1851R20, RHT1851R25, OHT1851R), 22 mm (RHT1855R40, OHT1855R)-nél, és olyanokat sem, amiket nem lehet „megetetni” a vágókéssel. A vastagabb ágakat egy kézfűrés vagy ágazófűrés segítségével vágja le.
- Ne használja a gépet sérült vagy túlságosan elhasználottnak vágóeszközzel.

### ▲ FIGYELMEZTETÉS

Ha a gép leesett, erős ütést kapott vagy rendellenesen kezd vibrálni, azonnal állítsa le a gépet, és vizsgálja át sérülések tekintetében vagy azonosítsa a vibráció okát. Minden sérülést hivatalos szervizközpontban kell megjavíttatni vagy kicseréltetni.

### SZÁLLÍTÁS ÉS TÁROLÁS

- Szállítás és tárolás előtt állítsa le a terméket, vegye ki az akkumulátort és hagyja lehűlni mindkettőt.
- Minden idegen anyagtól tisztítsa meg a terméket. Hűvös, száraz és jól szellőztetett, gerekektől elzárt helyiségben tárolja. Az extra biztonság érdekében az akkumulátort a sövényvágótól külön tárolja. Ne tárolja olyan oxidálószerrel közelében, mint pl. kerti munkáknál használatos vegyszerek vagy jégmentesítő sók. Ne tárolja a szabadban.
- A gép tárolásakor vagy szállításakor helyezze fel a késvédő burkolatot a késekre.
- Szállításakor rögzítse a terméket elmozdulás és leesés ellen, hogy elkerülje a sérüléseket és a termék sérülését.

### LÍTIUM AKKUMULÁTOROK SZÁLLÍTÁSA

Az akkumulátorokat a helyi és nemzeti előírásokkal és szabályokkal összhangban szállítsa.

Az akkumulátorok külső fél általi szállításakor kövesse a csomagolásra és a címkézésre vonatkozó speciális előírásokat. Ügyeljen arra, hogy az akkumulátorok ne érhessenek más akkumulátorokhoz vagy vezető anyagokhoz szállítás közben; ehhez a szabadon maradt csatlakozókat védje szigetelő fedéllel vagy szalaggal. Ne szállítson repedt vagy szivárgó akkumulátorokat. További információért vegye fel a kapcsolatot a továbbítást végző céggel.

### KARBANTARTÁS

#### ▲ FIGYELMEZTETÉS

Csak a gyártó eredeti cserealkatrészeit, tartozékait és szereléseit használja. Ennek figyelmen kívül hagyása gyenge motorteljesítményt, esetleges sérülést és a jótállás elvesztését okozhatja.

#### ▲ FIGYELMEZTETÉS

szervizelés különös figyelmet és hozzáértést igényel, és csak szakképzett szerelő végezheti el. Javasoljuk, hogy a szervizeléskor a terméket vigye a legközelebbi hivatalos szervizközpontba javítás céljából. Szervizeléskor csak azonos cserealkatrészeket használjon.





### FIGYELMEZTETÉS

A kések élesek. A személyi sérülés megelőzése érdekében legyen különösen óvatos a késvédő tisztításakor, kenésekor, valamint fel- és leszerelésekor.

- Beállítás, karbantartás és tisztítás előtt vegye ki az akkumulátort.
- A használati útmutatóban leírt beállításokat és javításokat Ön is elvégezheti. Az egyéb javításokhoz vegye fel a kapcsolatot a hivatalos szervizzel.
- Minden egyes használat után egy puha, száraz ruhával tisztítsa meg a termék házát és fogantyúit.
- Egy kemény kefével minden használat után tisztítsa meg a kést a hulladékoktól, majd a késvédő felszerelése előtt kenjen rá rozsdásodásgátlót. A gyártó azt javasolja, hogy permetezhető rozsdásodásgátlót és kenőanyagot vigyen fel egyenletes rétegben, mert azzal meggátolhatja a késsel való érintkezés miatti személyi sérüléseket. A megfelelő permetezhető termékről kérdezze a helyi hivatalos szervizközpontot.
- A fenti módszert követve használat előtt is felvihet kenőanyagot a késekre.
- Gyakori időközönként ellenőrizze a csavaranyák, csavarok és fejescsavarok megfelelő meghúzását, hogy a termék biztonságos üzemi állapotban legyen. A sérült alkatrészeket egy hivatalos szervizközpontban kell megjavíttatni vagy kicseréltetni.

### FENNMARADÓ KOCKÁZAT

Még a termék rendeltetészerű használata esetén sem lehet teljesen kiküszöbölni minden kockázati tényezőt. A gép használata során a következő veszélyek merülhetnek fel, és a kezelőnek különösen oda kell figyelnie az alábbiak elkerülésére:

- kések érintése okozta sérülés
  - A késekkel való érintkezés súlyos sérülést okozhat. A kést önmagától és másoktól tartsa távol. Ha nem vág a termékkel, takarja le a késvédő burkolattal.
- A vibráció sérüléseket okozhat.
  - Mindig a munkához megfelelő célszerszámot használja, használja a gépre szerelt fogantyúkat, és korlátozza a munkaidőt és a vibrációnak való kitettséget.
- A zajnak való kitettség halláskárosodást okoz.
  - Viseljen hallásvédőt és korlátozza a zajnak való kitettséget.

### KOCKÁZATCSÖKKENTÉS

Arról számoltak be, hogy a kéziszerszámok használata során fellépő vibráció bizonyos személyeknél hozzájárulhat az úgynevezett Raynaud-szindróma (Raynaud's Syndrome) nevű állapot kialakulásához. A tünetei lehetnek: az ujjak zsibbadása, elfehéredése, szúrások érzése, amelyek hidegnek kitéve gyakran felerősödnek. Az örökítő tényezők, a hidegnek kitettség és verejtékezés, a diéta, a dohányzás és munka közben alkalmazott fogások valószínűleg mind hozzájárulhatnak ezen tünetek megjelenéséhez. A vibráció hatásainak csökkentése érdekében a kezelőnek be kell tartani az

alábbi óvintézkedéseket:

- Hideg időben tartsa melegen a testét. A termék használatakor viseljen kesztyűt a kéz és a csukló melegen tartásához.
- Bizonyos időtartamú használat után mindig végezzen gyakorlatokat a vérkeringés javításához.
- Gyakran tartson munkaszünetet. Korlátozza a napi munkaidőt.

Ha ezen állapot bármelyik tünetét tapasztalja, azonnal hagyja abba a munkát, és tájékoztassa az orvosát a tünetekről.

### FIGYELMEZTETÉS

Injuries may be caused, or aggravated, by prolonged use of a tool. Ha a gépet hosszú időn át kell használnia, tartson gyakran szünetet.

### A KÉSZÜLÉK RÉSZEI

Lásd 128. oldal.

#### RÉSZEGYSÉGEK

1. Hátsó fogantyú
2. Kioldó
3. Fogantyú forgását lezáró gomb
4. Elülső fogantyú
5. Kezelő jelenléte kapcsoló
6. Védőlemez
7. HedgeSweep™ hulladékszeprű
8. Kés
9. Késvédő
10. Akkumulátor
11. Akkumulátor reteszelő gomb
12. Töltő

### SZIMBÓLUMOK A TERMÉKEN



Biztonsági figyelmeztetés



A gép bekapcsolása előtt figyelmesen olvassa el az útmutatót.



Viseljen fülvédőt



Viseljen védőszemüveget



Használat közben mindig két kézzel fogja a sövényvágót.



Viseljen nem csúszós, nehéz igénybevételre tervezett kesztyűt.



A súlyos sérülések elkerülése végett ne érintse meg a vágókéseket.





Ne tegye ki esőnek, és ne használja nedves környezetben.



Figyeljen a kivetett vagy repülő tárgyakra. Az összes nézelődő, különösen a gyerekek és a háziállatok, legyenek legalább 15 m-es távolságra a használati területtől.



Ez a szerszám minden, a vásárlás európai uniós országában hatályos szabványnak megfelel.



Eurázsiai megfelelési jelzés



Ukrainai megfelelési nyilatkozat



A címkén látható garantált hangteljesítményszint 94 dB.



A kiselejtezett elektromos termékeket nem szabad a háztartási hulladékkal együtt kidobni. Ezeket újra kell hasznosítani, ha van rá lehetőség. Az újrahasznosítással kapcsolatban érdeklődjön a helyi önkormányzatnál vagy a termék forgalmazójánál.

## A KÉZIKÖNYVBEN HASZNÁLT SZIMBÓLUMOK



Külön értékesített alkatrészek és kiegészítők



Megjegyzés



Figyelem

A következő jelölőszavak és jelentések arra szolgálnak, hogy megmagyarázzák a termékkel kapcsolatos veszélyességi szinteket.

### **VESZÉLY**

Egy bekövetkező veszélyes helyzetet jelez, ami, ha nem előzik meg, halált vagy komoly sérülést eredményez.

### **FIGYELMEZTETÉS**

Egy potenciálisan bekövetkező veszélyes helyzetet jelez, amit, ha nem előznek meg, halált vagy komoly sérülést eredményezhet.

### **FIGYELEMFELHÍVÁS**

Egy potenciálisan veszélyes helyzetet jelez, ami, ha nem előzik meg, kisebb vagy mérsékelt sérülést eredményezhet.

## FIGYELEMFELHÍVÁS

Biztonsági figyelmeztető szimbólum nélkül

Egy olyan helyzetet jelez, ami anyagi kárt eredményezhet.

EN

FR

DE

ES

IT

NL

PT

DA

SV

FI

NO

RU

PL

CS

**HU**

RO

LV

LT

ET

HR

SL

SK

BG

UK

TR



Au fost acordate priorități maxime asupra siguranței, performanței și fiabilității în proiectarea aparatului dvs. de tuns gardul viu fără cablu.

### UTILIZARE PREVĂZUTĂ

Acest produs este proiectat doar pentru folosirea în mediul exterior. Din motive de siguranță, produsul trebuie manevrat corespunzător, cu ambele mâini.

Produsul este proiectat pentru uz casnic și domestic. Este destinat pentru tăierea și îngrijirea gardurilor vii, a arbuștilor și a vegetației similare.

Trebuie folosit în zone uscate și bine iluminate.

NU este destinat pentru tăierea ierbii, a copacilor sau a ramurilor. Nu trebuie folosit în nici un alt scop, altul decât tăierea gardurilor vii.

### AVERTISMENTE GENERAL DE SIGURANȚĂ PRIVIND UNEALTA ELECTRICĂ

#### ⚠ AVERTISMENT

**Citiți toate avertismentele și instrucțiunile de siguranță.** Nerespectarea acestor avertismente și instrucțiuni poate conduce la șocuri electrice, incendii și/sau accidente grave. Păstrați aceste avertismente și instrucțiuni, pentru a le putea consulta ulterior.

Termenul de "unealtă electrică" folosit în avertismente se referă la uneltele electrice alimentate de la rețea (cu cablu) sau cu acumulator (fără cablu).

### MEDIUL DE LUCRU

- **Mentțineți curată și bine iluminată zona de lucru.** Zonele dezordonate și întunecate prezintă pericol de accidente.
- **Nu operați cu unealta electrică în atmosfere explozive, precum în prezența lichidelor, gazelor sau a prafului inflamabil(e).** Uneltele electrice creează scântei care pot aprinde praful sau vaporii.
- **Țineți copiii și persoanele din jur la distanță în timpul operării unei unelte electrice.** Distragerea atenției vă poate face să pierdeți controlul.

### SIGURANȚĂ ELECTRICĂ

- **Ștecărele uneltelor electrice trebuie să se potrivească cu priza.** Nu modificați niciodată ștecărul în nici un fel. Nu folosiți niciodată adaptoare de ștecăr cu uneltele electrice cu împământare. Ștecărele nemodificate și prizele potrivite reduc riscul de electrocutare.
- **Evitați contactul corpului cu suprafețele conectate la împământare, precum țevi, radiatoare, reșouri, mașini de gătit și frigider.** Există un risc crescut de electrocutare când corpul dumneavoastră are contact cu împământarea.
- **Nu expuneți produsul la ploaie sau condiții de umiditate.** Apa care intră într-o unealtă electrică va crește riscul de electrocutare.
- **Nu forțați cablul.** Nu trageți niciodată unealta electrică de cablul de alimentare pentru a o

transporta, a o trage sau a scoate ștecărul din priză.

**Țineți cablul de alimentare departe de căldură, ulei, muchii ascuțite sau piese în mișcare.** Cablurile deteriorate sau încurcate cresc riscul de electrocutare.

- **Atunci când lucrați cu o unealtă electrică în aer liber, folosiți un prelungitor adecvat pentru utilizarea în aer liber.** Folosirea unui prelungitor adecvat pentru utilizarea în aer liber reduce riscul de electrocutare.
- **În cazul în care operarea unei unelte electrice într-o zonă umedă nu poate fi evitată, folosiți o alimentare protejată cu un dispozitiv de curent rezidual (RCD).** Utilizarea unui RCD reduce riscul de electrocutare.

### SIGURANȚĂ PERSONALĂ

- **Fiți vigilenți, fiți atenți la ceea ce faceți, acționați cu simț practic când operați o unealtă electrică.** Nu folosiți unealta electrică în timp ce sunteți obosit sau sub influența drogurilor, a alcoolului sau a medicamentelor. Un moment de neatenție în timpul operării uneltelor electrice poate cauza vătămare personală gravă.
  - **Utilizați echipament personal de protecție. Purtați întotdeauna ochelari de protecție.** Echipamentele de protecție, precum masca de praf, încălțăminte de protecție antiderapantă, casca sau protecția auditivă, folosite în condiții adecvate, vor reduce riscul rănilor.
  - **Prevenirea pornirii neintenționate. Asigurați-vă că comutatorul este în poziția oprit înainte deconectarea la sursa de alimentare și / sau la acumulator, ridicarea sau transportul uneltei.** Transportarea uneltelor electrice cu degetul pe comutator sau punerea sub tensiune a uneltelor electrice care au comutatorul în poziția pornit predispune la accidente.
  - **Îndepărtați orice cheie de reglare înainte de a porni unealta.** O cheie sau rămasă atașată de o piesă rotativă a uneltei electrice poate cauza vătămări corporale.
  - **Nu vă aplecați excesiv. În timpul operării dispozitivului, păstrați-vă în permanentă echilibrul și stabilitatea.** Acest lucru permite un mai bun control al uneltei electrice în situații neașteptate.
  - **Îmbrăcați-vă corespunzător. Nu purtați haine largi sau bijuterii.** Mențineți părul, hainele și mănușile departe de piesele în mișcare. Hainele largi, bijuteriile sau părul lung pot fi prinse de piesele aflate în mișcare.
  - **Dacă sunt prevăzute dispozitive pentru conectarea facilităților de extracție și de colectare a prafului, asigurați-vă că acestea sunt conectate și folosite corect.** Utilizarea colectării prafului poate reduce riscurile legate de praf.
- ### FOLOSIREA ȘI ÎNTREȚINEREA UNELTEI ELECTRICE
- **Nu forțați produsul. Folosiți unealta electrică corectă pentru aplicație.** Unealta electrică corectă va funcționa mai bine și mai sigur la viteza pentru care a fost proiectată.
  - **Nu folosiți unealta electrică dacă comutatorul nu o poate porni și opri.** Orice unealtă electrică, care nu poate fi controlată cu comutatorul este periculoasă și trebuie reparată.
  - **Deconectați ștecărul de la sursa de alimentare și /**





sau acumulatorul de la unealta electrică înainte de a efectua orice reglaje, a schimba accesoriile sau de a stoca uneltele electrice. Astfel de măsuri preventive de siguranță reduc riscul de pornire accidentală a unelei electrice.

- **Nu lăsați uneltele electrice la îndemâna copiilor și nu permiteți persoanelor nefamiliarizate cu unealta electrică sau cu aceste instrucțiuni să folosească unealta.** Uneltele electrice sunt periculoase în mâinile utilizatorilor neinstruiți.
- **Întrețineți uneltele electrice.** Verificați alinierea sau lipirea pieselor în mișcare, spargerea pieselor, precum și orice altă stare care poate afecta funcționarea unelei electrice. Dacă este deteriorată, solicitați repararea unelei înainte de utilizare. Multe accidente sunt cauzate de uneltele electrice întreținute necorespunzător.
- **Păstrați uneltele de tăiere ascuțite și curate.** Uneltele de tăiere corect întreținute, cu muchii de tăiere ascuțite au o probabilitate mai redusă de lipire și sunt mai ușor de controlat.
- **Folosiți unealta electrică, accesoriile și burghiile etc. în conformitate cu aceste instrucțiuni, ținând cont de condițiile de lucru și de lucrarea care urmează să fie efectuată.** Utilizarea unelei electrice pentru alte operații decât cele preconizate poate duce la situații periculoase.

#### FOLOSIREA ȘI ÎNTREȚINEREA MAȘINII CU ACUMULATOR

- **Reîncărcați numai cu încărcătorul specificat de producător.** Un încărcător destinat unui anumit tip de acumulator este folosit la încărcarea altor acumulatori există pericolul de incendii.
- **Folosiți uneltele electrice numai cu acumulatorii indicați.** Utilizarea oricăror alți acumulatori poate crea un risc de vătămare și de incendiu.
- **Atunci când acumulatorul nu este în uz, păstrați-l departe de alte obiecte metalice, cum ar fi agrafe de birou, monede, chei, cuie, șuruburi sau alte obiecte metalice mici, care pot face o conexiune de la o bornă la alta.** Scurtcircuitarea bornelor bateriei poate provoca arsuri sau incendii.
- **Ca urmare a folosirii necorespunzătoare, din acumulator se poate scurge lichid; evitați contactul cu acesta. În cazul unui contact accidental, spălați cu apă. În cazul contactului cu ochii, consultați suplimentar un medicul.** Lichidul care iese din acumulator poate provoca iritații sau arsuri.

#### ÎNTREȚINERE

- **Solicitați efectuarea lucrărilor de service la unealta dvs. electrică numai de către o persoană calificată în reparații, folosind numai piese de schimb identice.** Acest lucru va garanta că siguranța unelei electrice este menținută.

#### AVERTIZĂRI DE SIGURANȚĂ ASUPRA MAȘINII DE TUNS GARDUL VIU.

- **Țineți toate părțile corpului la distanță de lama cuțitului. Nu îndepărtați materialul tăiat și nu țineți materialul ce urmează a fi tăiat, atunci când lamele sunt în mișcare. Asigurați-vă că comutatorul este oprit, atunci când curățați materiale blocate.** Un moment de neatenție în timpul operării produsului poate rezulta în vătămare personală gravă.
- **Transportați foarfeca de grădină de mâner cu lama cuțitului oprită. Atunci când transportați sau depozitați foarfeca de grădină, întotdeauna fixați capacul dispozitivului de tăiere.** Manipularea adecvată a foarfecei de grădină va reduce posibilele vătămări personale cauzate de lamele cuțitului.
- **Țineți aparatul electric doar de suprafața de prindere izolatoare, întrucât lama de tăiere poate veni în contact cu fire electrice ascunse.** Lamele de tăiere care intră în contact cu un conductor sub curent pot expune la curent părțile metalice ale unelei electrice și pot conduce la electrocutarea operatorului.

#### AVERTIZĂRI SUPPLEMENTARE DE SIGURANȚĂ

- Unele regiuni au reglementări care restricționează utilizarea produsului la unele operațiuni. Pentru sfaturi întrebați autoritățile dvs. locale. Citiți toate instrucțiunile
- Eliberați zona de lucru înainte de fiecare utilizare. Îndepărtați toate obiectele precum cabluri, becuri, fire, șnururi ce pot fi aruncate sau încurcate în mijloacele de tăiere.
- Verificați gardul viu de obiecte străine precum garduri de sârmă.
- Luați măsuri de precauție suplimentare atunci când utilizați produsul în apropierea gardurilor, indicatoarelor, clădirilor sau a altor obiecte imobile.
- Fiți atent la obiectele aruncate, mențineți toți trecătorii, copiii și animalele de companie la cel puțin 15 metri de zona de lucru.
- Nu permiteți copiilor sau persoanele fără experiență să utilizeze acest produs.
- Nu utilizați în condiții de iluminare necorespunzătoare. Operatorul necesită o panoramă clară a zonei de lucru pentru identificarea potențialelor pericole.
- Asigurați-vă întotdeauna că toate mânerele și protecțiile sunt montate când utilizați mașina. Nu încercați niciodată să utilizați un produs incomplet sau cu modificări neautorizate.
- Asigurați-vă că înainte de fiecare folosire toate funcțiile de control și dispozitivele de siguranță funcționează corect. Nu folosiți produsul dacă întrerupătorul "oprit" nu oprește produsul.
- Inspectați aparatul înainte de fiecare folosire. Verificați să nu fie slăbite închizătorile. Asigurați-vă că toate dispozitivele de protecție și mânerele sunt fixate corect și strâns. Înlocuiți toate piesele deteriorate înainte de utilizare. Verificați dacă există scurgeri la nivelul acumulatorului.
- Nu modificați produsul în niciun mod.
- Purtați protecție completă a ochilor și urechilor în timpul

EN  
FR  
DE  
ES  
IT  
NL  
PT  
DA  
SV  
FI  
NO  
RU  
PL  
CS  
HU  
RO  
LV  
LT  
ET  
HR  
SL  
SK  
BG  
UK  
TR





operării produsului. Dacă în zona de lucru există riscul căderii de obiecte, trebuie purtată protecție a capului.

- Purtați pantalonii lungi groși, cizme și mănuși. Nu purtați haine largi, pantalonii scurți, bijuterii de niciun fel sau să fiți desculți.
- Prindeți părul lung deasupra umerilor pentru a preveni prinderea lui de părțile în mișcare.
- Utilizarea antifonanelor reduce capacitatea de auzi avertismente (alarme sau strigăte). Operatorul trebuie să fie foarte atent la ceea ce se întâmplă în zona de lucru.
- Operarea de aparate similare în vecinătate crește atât riscul unei deteriorări a auzului cât și posibilitatea ca alte persoane să intre în zona dvs. de lucru.
- Nu operați acest produs atunci când sunteți obosit, bolnav sau sub influența alcoolului, drogurilor sau a medicamentelor.
- Mențineți sprijin ferm pe picioare și echilibru. Nu vă aplecați excesiv. Întinderea corpului poate cauza pierderea echilibrului sau expunerea la suprafețe fierbinți.
- Țineți toate părțile corpului la distanță de orice piesă în mișcare.
- Înainte de pomirea aparatului asigurați-vă ca lamele să nu vină în contact cu nimic.
- În timpul operării mașinii de tuns gardul viu, țineți-o ferm întotdeauna cu ambele mâini de cele două mănere și asigurați-vă că poziția de operare este sigură și fixă. Producătorul nu recomandă folosirea treptelor sau a scărilor. Dacă este necesară o tundere la o înălțime mai mare folosiți o unealtă prelungitoare.
- Lamele sunt ascuțite. Atunci când manipulați ansamblul de lame, purtați mănuși rezistente, nealunecoase. Nu puneți degetele sau mâna între lame sau în orice poziție unde pot fi ciupite sau tăiate. Nu atingeți niciodată lama sau unitatea service decât dacă acumulatorul este îndepărtat.
- Deconectați și îndepărtați acumulatorul înainte de:
  - reglarea poziției de lucru a dispozitivului de tăiere
  - curățarea sau eliminarea unui blocaj
  - lăsarea produsului fără supraveghere
  - verificarea, întreținerea sau exploatarea produsului
- Nu forțați motounalta pentru tuns gard viu în tufișuri dese. Acest lucru poate cauza lipirea și încetinirea lamelor. În cazul în care lamele încetinesc, reduceți ritmul.
- Nu încercați să tăiați tulpini sau crengi care au o grosime mai mare de 18 mm (RHT1851R15, RHT1851R20, RHT1851R25, OHT1851R), 22 mm (RHT1855R40, OHT1855R), sau cele care sunt prea mari pentru a intra în lama de tăiere. Utilizați un ferăstrău manual sau un ferăstrău pentru curățarea crengilor pentru a tăia tulpinile groase.
- Nu utilizați mașina cu un dispozitiv e tăiere deteriorat sau uzat excesiv.

#### ⚠ AVERTISMENT

Dacă produsul este scăpat, suferă un impact dur sau începe să vibreze anormal, opriți imediat produsul și inspectați dacă este deteriorat sau identificați cauza vibrației. Orice deteriorare trebuie reparată corespunzător sau înlocuită la un centru service autorizat.

#### TRANSPORTAREA ȘI DEPOZITAREA

- Opriți produsul, scoateți acumulatorul și lăsați-le să se răcească înainte de a le depozita sau transporta.
- Curățați toate materialele străine din produs. Depozitați-l într-un loc răcoros, uscat și bine aerisit ce este inaccessibil copiilor. Pentru o siguranță suplimentară, depozitați acumulatorul separat de mașina de tuns gardul viu. Nu-l depozitați în apropiere de agenți corozivi cum ar fi produși chimici de grădinărit sau săruri antiget. Nu depozitați în aer liber.
- Acoperiți lama cu protecția pentru lamă înainte de a depozita unitatea sau în timpul transportului.
- Pentru transportare, fixați produsul împotriva mișcării sau căderii pentru a preveni vătămarea persoanelor sau deteriorarea produsului.

#### TRANSPORTAREA BATERIILOR DE LITIU.

Transportați bateriile în conformitate cu prevederile și reglementările locale și naționale.

Urmați toate cerințele speciale privind împachetarea și etichetarea atunci când transportați baterii către un terț. Asigurați-vă că nicio baterie nu poate să intre în contact cu alte baterii sau materiale conductive în timpul transportului prin protejarea conectorilor expuși cu bandă, capace izolatoare neconductive. Nu transportați bateriile ce sunt crăpate sau care au scurgeri. Verificați cu firma transportatoare pentru recomandări ulterioare.

#### ÎNȚREȚINEREA

#### ⚠ AVERTISMENT

Folositi doar piese de schimb, accesorii si atasamente originale ale producatorului Neumarea acestora poate cauza posibilă vătămare, slaba funcționare și ar putea anula garanția.

#### ⚠ AVERTISMENT

Service-ul necesită atenție și cunoștințe deosebite și trebuie îndeplinit doar de către un tehnician service calificat. Pentru service sugerăm să returnați produsul la cel mai apropiat centru service autorizat pentru efectuarea reparațiilor. Când se efectuează service-ul folosiți doar piese de schimb identice.

#### ⚠ AVERTISMENT

Lamele sunt ascuțite. Pentru a preveni vătămarea personală, acordați maximă atenție atunci când curățați, lubrifiați, fixați sau îndepărtați protecția lamei/discului.







- Îndepărtați acumulatorul înainte de orice lucrare de reglare, întreținere sau curățare.
- Puteți face reglaje și reparații descrise în acest manual de instrucțiuni. Pentru alte reparații, contactați agentul service autorizat.
- După fiecare folosire, curățați corpul și mânerul produsului cu o cârpă moale și uscată.
- După fiecare folosire, curățați resturile de pe lame/discuri cu o perie tare și apoi cu atenție aplicați un lubrifiant de prevenire a ruginei înainte a atașa protecția lamei/discului. Producătorul recomandă să folosiți un spray lubrifiant de prevenire a ruginei și să aplicați pe o suprafață dreaptă pentru a reduce riscul de vătămare personală de la contactul cu lamele/discurile. Pentru informații privind spray-ul corespunzător, întrebați centrul dvs service local autorizat.
- Puteți lubrifia ușor lamele/discurile înainte de folosire, folosind metoda de mai sus.
- Verificați toate piulițele, suruburile la intervale frecvente de timp ca să fie corespunzător strânse pentru a vă asigura că produsul este în stare de lucru în siguranță. Orice piesă deteriorată trebuie să fie reparată în mod corespunzător sau înlocuită de un service autorizat.

## RISCURI REZIDUALE

Chiar dacă produsul este folosit așa cum a fost prescris, este totuși imposibil să se elimine complet anumii factori de risc reziduali. Următoarele pericole pot apărea în timpul folosirii și operatorul trebuie să acorde atenție specială pentru a evita următoarele:

- vătămare de la contactul cu lamele
  - Contactul cu lamele poate cauza vătămare gravă. Țineți lama ferită de dvs sau alte persoane. Acoperiți-le cu o husă protectoare oricând nu tăiați.
- Vătămare cauzată de vibrație.
  - Folosiți întotdeauna aparatul potrivit pentru sarcină, folosiți mânerul prevăzute și restricționați timpul de lucru și expunerea.
- Poate fi cauzată vătămarea auzului de la expunerea la zgomot.
  - Purtați protecție pentru auz și limitați expunerea.

## REDUCEREA RISCULUI

S-a raportat faptul că vibrațiile produse de unelte manuale pot contribui, la anumite persoane, la o afecțiune denumită Sindromul Raynaud. Simptomele pot include furnicături, amorțeală și albirea degetelor, care apare, de obicei, după expunerea la frig. Factorii ereditari, expunerea la frig și umiditate, dieta, fumatul și practicile de muncă contribuie la dezvoltarea acestor simptome. Există măsurători care pot fi efectuate de către operator pentru a reduce efectele de vibrații:

- Păstrați-vă temperatura corporală ridicată pe vreme rece. Când operați produsul purtați mănuși pentru a menține calde mâinile și incheieturile.
- După fiecare perioadă de operare, trebuie făcute exerciții pentru a crește circulația sângelui.
- Trebuie făcute pauze la intervale de timp regulate. Limitați expunerea zilnică.

Dacă sunt experimentate oricare dintre simptomele acestei afecțiuni, trebuie întreruptă utilizarea și consultat un medic.

## AVERTISMENT

Pot fi cauzate sau agravate vătămarile de la folosirea prelungită a aparatului. Atunci când folosiți o sculă pentru perioade prelungite, asigurați-vă că luați pauze regulate.

## DESCRIERE

Vezi pagina 128.

## PĂRȚI

1. Mânerul principal
2. Declanșator
3. Butonul de blocare al rotirii mânerului
4. Mâner anterior
5. Întrerupător de prezență a operatorului
6. Ecran de protecție
7. Dispozitiv de aspirat reziduuri HedgeSweep™
8. Lamă
9. Capac lamă
10. Acumulator
11. Buton zăvor a bateriei
12. Încărcător

## SIMBOLURILE DE PE PRODUS.



Avertizare de siguranță



Vă rugăm citiți instrucțiunile cu atenție înainte de pornirea aparatului.



Purtați protecție pentru urechi



Purtați întotdeauna ochelari de protecție



Țineți întotdeauna motounealta de tuns gard viu cu ambele mâini atunci când funcționează.



Purtați mănuși care nu alunecă, destinate pentru operațiuni grele.



Pentru prevenirea vătămării grave nu atingeți lamele de tăiere.



Nu expuneți la ploaie sau umezeală.



Feriți-vă de obiecte proiectate sau în zbor. Țineți toți trecătorii, în special copiii și animalele de companie la cel puțin 15 metri de zona de operare.





Acest aparat este conform cu ansamblul normelor reglementare din țara din UE în care a fost cumpărat.



Marcaj de conformitate EurAsian



Semn de conformitate ucrainean



Nivelul de putere acustică indicat pe eticheta acestui echipament este de 94 dB.



Deșeurile produselor electrice nu trebuie să fie înălțurate împreună cu deșeurile casnice. Vă rugăm să reciclați acolo unde există facilități. Verificați la autoritatea dvs. locală sau la vânzător pentru sfaturi privind reciclarea.

## SIMBOLURI DIN ACEST MANUAL



Piese sau accesorii vândute separat



Notă



Avertisment

rmătoarele cuvinte simbol și înțelesul lor au intenția de a explica nivelele de risc asociate cu acest produs.

### **PERICOL**

Indică o situație periculoasă iminentă, care dacă nu este evitată va cauza decesul sau vătămarea gravă.

### **AVERTISMENT**

Indică o situație periculoasă iminentă, care dacă nu este evitată poate rezulta în deces sau vătămare gravă.

### **ATENȚIE**

Indică o situație potențial periculoasă, care dacă nu este evitată poate cauza vătămarea moderată sau ușoară.

### **ATENȚIE**

Fără a simbolul de alertă privind siguranța

Indică o situație care poate duce la pagube materiale.



Izstrādājot šo jūsu bezvadu žoga trimmeris, īpaša uzmanība veltīta drošībai, veiktspējai un uzticamībai.

## PAREDŽĒTAIS LIETOJUMS

Šī ierīce paredzēta izmantošanai tikai ārpus telpām. Drošības nolūkos, trimmeri jāizmanto, to atbilstoši vadot ar abām rokām.

Šī ierīce ir paredzēta lietošanai mājas apstākļos. Tas ir paredzēts dzīvzogu, krūmu un tamlīdzīgas veģetācijas griešanai un apcirpšanai.

To ieteicams lietot sausos, labi apgaismotos apstākļos.

Tas NAV paredzēts zāles, koku un zaru griešanai. To nav ieteicams lietot jebkādiem citiem nolūkiem, izņemot dzīvzogu griešanu.

## VISPĀRĒJI ELEKTROINSTRUMENTU DROŠĪBAS BRĪDINĀJUMI

### ⚠ BRĪDINĀJUMS

**Izlasiet visus drošības brīdinājumus un norādījumus.** Brīdinājumu un norādījumu neizpildīšana var izraisīt elektrisko triecienu, aizdegšanos un/vai smagu ievainojumu. Brīdinājumus un instrukcijas saglabājiet turpmākai uzziņai.

Nosaukums "elektroinstruments" brīdinājumos attiecas uz jūsu elektrisko (ar vadu) elektroinstrumentu vai ar akumulatoru darbināmo (bez vada) elektroinstrumentu.

## DARBA VIETA

- Turiet darba vietu tīru un labi apgaismotu. Pārblīvītas un tumšas vietas izraisa negadījumus.
- Nedarbiniet elektroinstrumentus sprādzienbīstamā vidē, piemēram, degošu šķidrums, gāzu vai putekļu klātbūtnē. Elektroinstrumenti rada dzirksteles, kas var aizdedzināt putekļus vai gāzes.
- Neļaujiet bērniem un blakusstāvētājiem tuvoties darbā esošiem elektroinstrumentiem. Izklaidības dēļ jūs varat zaudēt kontroli.

## ELEKTRODROŠĪBA

- Elektroinstrumenta kontaktakšai jāatbilst kontaktligzdai. Nekad nepārveidojiet kontaktakšu. Sazemētiem elektroinstrumentiem nelietojiet pārejas ligzdas. Nepārveidotas kontaktakšas un atbilstošas kontaktligzdas samazinās elektriskā trieciena risku.
- Nepieļaujiet ķermeņa kontaktu ar sazemētām virsmām, piemēram, caurulēm, radiatoriem, pavadiem un saldētāvam. Ja jūsu ķermenis ir sazemēts, pastāv palielināts elektriskā trieciena risks.
- Nepakļaujiet precī lietum vai slapjiem apstākļiem. Ūdens iekļūšana elektroinstrumentā palielina elektriskā trieciena risku.
- Neizmantojiet kabeli nepareizi. Nekad neizmantojiet vadu, lai nestu, vilktu elektroinstrumentu vai atvienotu kontaktakšu. Turiet kabeli tālu no siltuma avota, eļļas, asiem priekšmetiem vai kustīgām detaļām. Bojāts vai savērts kabelis palielina elektriskā

trieciena iespēju.

- Strādājot ar elektroinstrumentu ārpus telpām, lietojiet āra lietošanai piemērotu pagarinātāju. Elektriskā trieciena risku samazina lietošanai ārpus telpām piemērota kabeļa izmantošana.
- Ja elektroinstruments ir jālieto mitrās telpās, izmantojiet strāvas noplūdes automātslēdzi (RCD) barošanas vadā. Paliekošās strāvas ierīces izmantošana samazina elektriskā trieciena risku.

## PERSONISKĀ DROŠĪBA

- Uzmanieties darba laikā un izmantojiet veselo saprātu, darbojoties ar elektroinstrumentu. Neizmantojiet elektroierīci, ja esat noguris vai narkotisko vielu, alkohola vai medikamentu ietekmē. Neuzmanības brīdis, strādājot ar elektroinstrumentiem, var izraisīt smagus ievainojumus.
- Lietojiet personīgo aizsargaprīkojumu. Vienmēr lietojiet aizsargbrilles. Aizsargaprīkojums, piemēram, putekļu maska, neslidoši aizsargapavi, aizsargķivere vai ausu aizsargi, kas lietoti atbilstošos apstākļos, samazina personas ievainojumu iespēju.
- Nepieļaujiet nejausu iedarbināšanu. Pirms pievienot enerģijas avotam un/vai akumulatoram, pacelt un pārvietot darbarīku, pārliecinieties, ka slēdzis ir izslēgtā stāvoklī. Elektroinstrumentu pārnēsāšana, turot pirkstu uz slēdža vai ieslēgtu elektroinstrumentu pārnēsāšana var izraisīt nelaimes gadījumu.
- Noņemiet visas regulēšanas uzgriežņu atslēgas pirms elektroierīces ieslēgšanas. Uzgriežņu atslēga vai atslēga, kas palikusi piestiprināta pie elektroinstrumenta rotējošās detaļas, var izraisīt personas ievainojumu.
- Neperstempkite. Visu laiku stāviet stingri un stabili. Tas ļauj labāk vadīt elektroinstrumentu negaidītās situācijās.
- Apģērbieties pareizi. Nevalkājiet vaļīgu apģērbu vai rotaslietas. Turiet savus matus, apģērbu un cimdus tālu no kustīgām detaļām. Vaļīgs apģērbs, rotaslietas vai gari mati var tikt ierauti starp kustīgām detaļām.
- Ja ierīce ir aprīkota ar putekļu nosūcēja un savācēja pievienojumu, pārliecinieties, ka tas ir pievienots un tiek pareizi lietots. Putekļu savācēja lietošana var samazināt putekļu izraisītos riskus.

## ELEKTROINSTRUMENTU LIETOŠANA UN APRŪPE

- Nepielietojiet spēku, izmantojot ražojumu. Izmantojiet savam darbam atbilstošu elektroierīci. Pareizais elektroinstruments veiks darbu labāk un drošāk ar ātrumu, kādam ticis konstruēts.
- Nelietojiet elektroinstrumentu, ja ar slēdzi to nevar ieslēgt un izslēgt. Ja elektroinstrumentu nevar vadīt ar slēdzi, tas ir bīstams un jāremontē.
- Atvienojiet kontaktakšu no enerģijas avota un/vai akumulatoru no elektroinstrumenta pirms veikt jebkādas regulējumus, piederumu maiņu vai novietot glabāšanai elektroinstrumentus. Šādi profilakses pasākumi samazina elektroierīces nejausās iedarbināšanas iespēju.
- Glabājiet neizmantotus elektroinstrumentus

EN  
FR  
DE  
ES  
IT  
NL  
PT  
DA  
SV  
FI  
NO  
PL  
RU  
CS  
HU  
RO  
LV  
LT  
ET  
HR  
SL  
SK  
BG  
UK  
TR





bērniem nepieejamās vietās un neļaujiet neapmācītām personām darboties ar elektroinstrumentiem. Elektroinstrumenti ir bīstami neapmācītu personu rokās.

- **Apkopt elektroinstrumentus.** Pārbaudiet kustīgo detaļu savienojumu pareizību, detaļu berzi un citus apstākļus, kas var ietekmēt elektroinstrumenta darbu. Ja elektroinstrumenti ir bojāti, pirms lietošanas veiciet tā remontu. Daudzus negadījumus izraisa slikti apkopti elektroinstrumenti.
- **Turiet griezējriķus asus un tīrus.** Pareizi apkopti griezējinstrumenti ar asām griezējšķautnēm retāk pielīp un ir vieglāk vadāmi.
- **Izmantojiet elektroierīci, piederumus, darbinstrumentus u.c. saskaņā ar šiem norādījumiem, nemiet vērā darba apstākļus un veicamo darbu.** Elektroinstrumenta izmantošana neparedzētu darbību veikšanai var radīt bīstamu situāciju.

## AR AKUMULATORU DARBINĀMU IERĪČU LIETOŠANA UN KOPŠANA

- **Uzlādējiet tikai ar ražotāja noteikto lādētāju.** Lādētājs, kas paredzēts lietošanai ar viena veida akumulatoru, var būt ugunsnedrošs, ja to izmanto ar citu akumulatoru.
- **Lietojiet elektriskos instrumentus tikai ar konkrētajai ierīcei paredzēto akumulatoru.** Jebkura cita akumulatora lietošana var radīt ievainojumu un ugunsgrēka risku.
- **Kad nelietojat akumulatoru, neturiet to citu metāla priekšmetu tuvumā, piemēram: papīra saspaušanas mašīnās, atslēgās, naglas, skrūves vai citi sīki metāla priekšmeti, kas var veidot savienojumu starp spailēm.** Akumulatora spaiļu īsslēgums var radīt aizdegšanos vai ugunsgrēku.
- **Nepareizas rīcības gadījumā no akumulatora var izkļūt šķidrums; izvairieties no saskares ar to.** Nejaušas saskares gadījumā skalojiet skarto vietu ar ūdeni. Ja šķidrums nokļūst acīs, nepieciešama arī medicīniskā palīdzība. No akumulatora izkļuvušais šķidrums var izraisīt kairinājumu vai apdegumus.

## APKOPE

- **Vai jūsu elektroinstrumentu apkalpo kvalificēts personāls, izmantojot tikai identiskas rezerves daļas.** Tas nodrošinās elektroinstrumenta drošības saglabāšanu.

## DZĪVŽOGA TRIMMERA DROŠĪBAS BRĪDINĀJUMI

- **Turiet visas ķermeņa daļas prom no asmens.** Nenogemiet sagrieztus materiālus, kad asmeņi atrodas kustībā. Pārliecinieties, vai slēdzis ir izslēgts pirms atbrīvošanās no iestrēgušiem materiāliem. Neuzmanīga rīcība, darbojoties ar ierīci var radīt smagu personisku traumu.
- **Pārnēsājiet dzīvžogu trimmeri aiz roktura un ar apturētu asmeni.** Pārvietojot vai novietojot dzīvžogu trimmeri, vienmēr uzlieciet griešanas ierīces pārsegu. Pareiza rīkošanās ar dzīvžogu

trimmeri samazinās iespējamu savainojumu gūšanu no asmeņiem.

- **Turiet elektrisko instrumentu tikai aiz izolētajām satveršanas virsmām, jo griezējasmens var nonākt saskarē ar apslēptiem vadiem.** Ar spriegumam pieslēgtu vadu saskarē nonākuši asmeņi var radīt spriegumu elektroinstrumenta atklātajās metāla daļās un pakļaut operatoru elektrošokam.

## PAPILDU DROŠĪBAS BRĪDINĀJUMI

- Dažos reģionos pastāv noteikumi, kas ierobežo darbības, kurām produkts ir izmantojams. Vērsieties pie atbildīgajām amatpersonām pēc padoma. Izlasiet visus norādījumus
- Pirms katras izmantošanas attīriet darba zonu. Aiznesiet visas lietas, piemēram, vadus, apgaismojumus, kabeļus vai saites, kas var lidot vai sapīties griešanas brīdī.
- Pārbaudiet, vai žogā nav priekšmeti, piemēram, žoga stieples.
- Ievērojiet papildu piesardzību, izmantojot produktu sētu, stabu, ēku vai citu nekustīgu objektu tuvumā.
- Uzmanieties no krītošām lietām; raugieties, lai tuvāk stāvošie - bērni, un dzīvnieki atrodas vismaz 15 m no jūsu darbošanās vietas.
- Neļaujiet bērniem vai personām bez apmācības izmantot šo ražojumu.
- Nelietojiet sliktā apgaismojumā. Lietotājam jābūt pilnai redzamībai pār darba zonu, lai spētu identificēt iespējamus draudus.
- Pirms izmantot iekārtu, vienmēr pārliecinieties, vai ir uzstādīti visi rokturi un aizsargi. Nekad nemēģiniet lietot nepilnīgu instrumentu vai tādu, kam veikta neatļautas izmaiņas.
- Pirms katras lietošanas reizes pārliecinieties, ka visas kontroles un drošības sistēmas ir darba kārtībā. Neizmantojiet ierīci ja izslēgšanas slēdzis neapstādina motoru.
- Pirms katras lietošanas reizes pārbaudiet ierīci. Pārbaudiet, vai stiprinājumi nav vaļīgi. Pārbaudiet, vai visi aizsargi un rokturi ir pareizi un stingri piestiprināti. Pirms lietošanas nomainiet visas bojātās detaļas. Pārbaudiet sūces akumulatora komplektā.
- Nekādā veidā neveiciet instrumenta pārveidi.
- Darbinot precī, valkājiet pilnus acu un ausu aizsargus. Ja strādājat zonā, kur pastāv krītošu priekšmetu risks, jāvalkā galvas aizsargi.
- Velciet izturīgas garās bikses, zābakus un cimdus. Nevelciet platu un vaļīgu apģērbu, īsās bikses, jebkādas rotaslietas un nelietojiet bez apaviem.
- Nostipriniet garus matus tā, lai tie ir vīrs plecu līmeņa, lai novērstu sapīšanās kustīgajās daļās.
- Dzirdes aizsargu lietošana mazinās jūsu spēju dzirdēt brīdinājumus (bļāvienus vai skaņas signālus). Operatoram jāpievērš sevišķa uzmanība tam, kas notiek darba zonā.
- Līdzīgas ierīces izmantošana tuvumā palielina gan risku sabojāt dzirdi, gan iespēju, ka otrs cilvēks ieies jūsu darba zonā.
- Nerīkojieties ar šo ražojumu, kad esat noguris, slims vai





esot alkohola, narkotiku vai zāļu ietekmē.

- Visada tvirtai stovēkite ir išlaikykite pusiausvyrą. Nepersitempkite. Stiepšanās var likt zaudēt līdzsvaru vai pieskarties karstām virsmām.
- Turiet visas ķermeņa daļas tālu no visām kustīgajām detaļām.
- Pirms ieslēdzat ierīci, pārliecinieties, vai zāģēšanas asmeņi ne ar ko nesaskarsies.
- Lietojot dzīvzoga trimmeri to jātur stingri ar abām rokām aiz abiem rokturiem, un jāpārliecinās par darba vietas drošību. Ražotājs neiesaka lietot iekārtu uz pakāpieniem vai trepēm. Ja griešana nepieciešama augstākā vietā, lietojiet pagarināšu papildrīku.
- Asmeņi ir asi. Uzstādot asmeni, izmantojiet neslīdošus tam paredzētus aizsargcimdus. Neievietojiet roku vai pirkstus starp asmeņiem vai jebkurā citā vietā, kur tos var saspiest vai nogriezt. Nekādā gadījumā nepieskarieties asmeņim un neveiciet ierīces apkopi, ja vien nav izņemta bateriju pakete.
- Izslēdziet un izņemiet bateriju paketi pirms:
  - griešanas ierīces darba pozīcijas regulēšana
  - nosprostojumu tīrīšana vai aizvākšana
  - izstrādājuma atstāšana bez uzraudzības
  - ierīces pārbaudīšana, apkope vai darbināšana
- Neizmantojiet dzīvzogu trimmeri biezu krūmāju apgriešanai. Tas var izraisīt asmeņu darbības palēnināšanos un iesprūšanu. Ja asmeņu kustības ātrums samazinās, palēniniet gaitu.
- Nemēģiniet apgriezt stublājus vai zarus, kuru biezums pārsniedz 18 mm (RHT1851R15, RHT1851R20, RHT1851R25, OHT1851R), 22 mm (RHT1855R40, OHT1855R), jo tie acimredzami ir pārāk lieli griezējasmēnim. Izmantojiet neelektrisko rokas zāģi vai dārznieka zāģīti, lai apgrieztu lielus stublājus.
- Nedarbiniet ierīci, ja griezējs ir bojāts vai pārmērīgi nodilis.

### ▲ BRĪDINĀJUMS

Ja ierīce tiek nomesta, tā ir saskārusies ar smagu triecienu vai tā sāk nevaldāmi vibrēt, nekavējoties izslēdziet ierīci un centieties atrast bojājumu vai arī cēloni šādai vibrācijai. Jebkāda tehniska apkope ir jāveic tikai autorizētos tehniskās apkopes centros.

### TRANSPORTĒŠANA UN UZGLABĀŠANA

- Apturiet ierīci, izņemiet bateriju un ļaujiet abiem atdzist pirms uzglabāšanas vai transportēšanas.
- Notīriet visus svešķermeņus no izstrādājuma. Uzglabājiet to vēsā, sausā un labi vēdinātā vietā, kurai nevar piekļūt bērni. Papildu drošībai, glabājiet bateriju atsevišķi no zoga trimera. Neglabājiet to vietā, kur tuvumā atrodas korozīvas vielas, piemēram dārza darbos izmantojamās ķimikālijas vai atsaldēšanai domāta sāls. Neuzglabājiet ārpus telpām.
- Nosedziet asmeni ar asmens aizsargu pirms ierīces glabāšanas vai tās transportēšanas laikā.
- Transportējot nostipriniet ierīci, lai tā nekustētos un

neapgāztos, jo tas var izraisīt miesas bojājumus un ierīces bojājumus.

### LITIJA BATERIJU TRANSPORTĒŠANA

Transportējiet baterijas saskaņā ar vietējiem un valsts noteikumiem un regulām.

Ievērojiet visas īpašās prasības saistībā ar iepakojšanu un marķēšanu, transportējot trešās puses baterijas. Nodrošiniet, ka baterijas transportā nevar nonākt saskarē ar citām baterijām vai vadītspējīgiem materiāliem, aizsargājot atklātos savienotājus ar nevadošiem izolācijas vāciņiem vai lentēm. Netransportējiet iekļautās baterijas vai baterijas, kurām ir noplūde. Lūdziet padomu kravu pārvadāšanas uzņēmumam.

### APKOPE

#### ▲ BRĪDINĀJUMS

Lietojiet tikai oriģinālās ražotāja rezerves daļas, piederumus un uzgaļus. Pretējā gadījumā var tikt radīti ievainojumi un parādīts slikts sniegums, kā arī var tikt anulēta garantija.

#### ▲ BRĪDINĀJUMS

Aptarnavimā atlikti būtina itin atdžīai, todėl rekomenduojame, kad techninė apžiūra vykdytu kvalifikuotas specialistas. Techninei apžiūrai atlikti patariame gražinti prietaisą į artimiausią įgaliotą paslaugų teikimo tarnybą. Sugedusias detales keiskite tik originaliomis detalėmis.

#### ▲ BRĪDINĀJUMS

Asmeņi ir asi. Lai novērstu ievainojumus, ievērojiet īpašu piesardzību tīrot, ieeļļojot, un pieliekot vai noņemot asmeņu aizsargu.

- Pirms regulēšanas, apkopes vai tīrīšanas izņemiet bateriju.
- Daudzus šajā lietotāja rokasgrāmatā aprakstītos regulēšanas un remontdarbus varat veikt pats. Lai veiktu citus remontdarbus, sazinieties ar pilnvarotu servisa darbinieku.
- Pēc katras lietošanas reizes, notīriet ierīci un tās rokturus ar mīkstu, sausu audumu.
- Pēc katras lietošanas reizes, notīriet iežus no asmeņiem ar stingru otiņu, un uzmanīgi uzklājiet pretrūsu aizsargājošu eļļu, pirms pieliekat asmeņu aizsargus. Ražotājs iesaka vienmērīgi uzklāt un lietot pretrūsu aizsargājošu un ieeļļojošu aerosolu, lai samazinātu risku savainoties darbojoties ap asmeņiem. Konsultējieties ar vietējo autorizēto pārstāvi, lai iegūtu informāciju par piemērotiem līdzekļiem.
- Pirms lietošanas ieteicams nedaudz ieeļļot asmeņus, ja nepieciešams, izmantojot iepriekšminēto metodi.
- Regulāri pārbaudiet visus uzgriežņus, stiprinājumus un skrūves, lai pārliecinātos, ka tās ir cieši pievilkta un izstrādājums ir drošā darba stāvoklī. Jebkura bojāta

EN
FR
DE
ES
IT
NL
PL
PT
DA
SV
FI
NO
RU
PL
CS
HU
RO
<b>LV</b>
LT
ET
HR
SL
SK
BG
UK
TR



detaja jānodod remontam vai nomaīgai pilnvarotā apkopes centrā.

## OBJEKTĪVIE RISKI

Pat ka prece ir lietotā kā noteikts, nav iespējams pilnībā novērst noteiktus riska faktorus. Lietošanas laikā var rasties šādas bīstamas situācijas, un lietotājam ir jāpievērš pastiprināta uzmanība, lai tās novērstu:

- savainojumi no saskares ar asmeņiem
  - Saskare ar asmeņiem var radīt nopietnas traumas. Turiet asmeni prom no jums un no citiem. Ja ierīce netiek lietota, vienmēr nosedziet to ar asmeņu aizsargu.
- Vibrācijas radīts ievainojums.
  - Vienmēr izmantojiet pareizos rīkus tiem paredzētajam darba, izmantojiet norādītos rokturus un ierobežojiet laiku, cik ilgi izmantojat ierīci.
- Pakļaušanas troksnis var radīt dzirdes bojājumus.
  - Valkājiet ausu aizsargu un ierobežojiet saskarsmi.

## RISKA SAMAZINĀŠANA

Ir ticis ziņots, ka vibrācijas no rokas instrumentiem atsevišķos cilvēkos var veicināt kaiti, ko sauc par Reino sindromu. Simptomi var ietvert pirkstu tīkšķēšanu, nejutīgumu un nobālēšanu, parasti aukstā laikā. Tiek uzskatīts, ka tradicionālie faktori, aukstums un mitrums, uzturs, smēķēšana un darba prakse sekmē šo simptomu attīstību. Operators var veikt pasākumus, lai iespējami samazinātu vibrācijas efektu:

- Aukstā laikā ķermeņim jābūt siltam. Kad darbināt precī valkājiet cimdus, lai rokas un plaukstu locītavas būtu siltas.
- Ik pēc laika apturiet darbu un veiciet vingrinājumus, kas uzlabo asins cirkulāciju.
- Strādājot jābūt biežiem pārtraukumiem. Ierobežojiet iedarbības ilgumu dienā.

Ja jūs izjūtat kādu no šiem simptomiem, nekavējoties apturiet ierīces lietošanu un sazinieties ar ārstu par šiem simptomiem.

## ▲ BRĪDINĀJUMS

Ilgstoša preces lietošana var radīt ievainojumus vai pasliktināt jau esošos. Ilgstoši lietojot jebkuru instrumentu, pārliecinieties, ka tiek veikti regulāri pārtraukumi.

## APRAKSTS

Skatīt 128. lappusi

### DAĻAS

1. Aizmugurējais rokturis
2. Mēlīte
3. Roktura rotācijas fiksācijas poga
4. Priekšējais rokturis
5. Lietotāja klātbūtnes slēdzis
6. Vairogs
7. HedgeSweep™ grūžu slaucītājs
8. Asmens
9. Asmens vāks

10. Akumulators

11. Akumulatora stiprinājuma poga

12. Lādētājs

## UZ PRECES ESOŠIE SIMBOLI



Drošības brīdinājums



Pirms iedarbināt mašīnu, lūdzu rūpīgi izlasiet instrukcijas.



Lietojiet dzirdes aizsargus



Valkājiet acu aizsargaprīkojumu



Vienmēr, strādājot ar dzīvzoga trimmeri, turiet to ar abām rokām.



Valkājiet neslīdošus darba cimdus.



Lai novērstu smagu traumu iegūšanu, nepieskarieties zāģa asmeņiem.



Nepakļaujiet lietum vai mitriem apstākļiem.



Sargieties no izmestiem vai lidojošiem priekšmetiem. Rūpējieties, lai visi tuvumā stāvošie, īpaši bērni un dzīvnieki atrastos vismaz 15 m attālumā no darba zonas



Darbarīks atbilst visām normām ES valstī, kurā tas ir iegādāts.



EurAsian atbilstības marķējums



Ukrainas apstiprinājuma zīme



Uz šīs etiķetes norādītais garantētā skaņas spiediena jauda ir 94 dB.



Izlietotie elektroprodukti nedrīkst tikt izmesti kopā ar mājāsaimniecības atkritumiem. Lūdzu, nododiet tos attiecīgajās atkārtojamās izmantošanas vietās. Sazinieties ar savu vietējo varas pārstāvi vai izplatītāju, lai noskaidrotu, kur iespējama atkārtota pārstrāde.

## SIMBOLI ŠAJĀ ROKASGRĀMATĀ



Atsevišķi nopērkamās daļas vai piederumi



Piezīme



Brīdinājums

Lai izskaidrotu risku, kas saistīti ar izstrādājumu, līmeni, paredzēti šādi norādījuma vārdi un jēdzieni.

### **⚠ BĪSTAMI**

Norāda draudošo bīstamo situāciju, kas, ja no tās neizvairās, var novest pie nāves vai nopietnas traumas.

### **⚠ BRĪDINĀJUMS**

Norāda potenciālo bīstamo situāciju, kas, ja no tās neizvairās, var novest pie nāves vai nopietnas traumas.

### **⚠ UZMANĪBU**

Norāda potenciālo bīstamo situāciju, kas, ja no tās neizvairās, var novest pie nelielas vai vidējas traumas.

### **UZMANĪBU**

Bez drošības brīdinājuma apzīmējuma

Norāda uz situāciju, kas var radīt īpašuma bojājumus.

EN  
FR  
DE  
ES  
IT  
NL  
PT  
DA  
SV  
FI  
NO  
RU  
PL  
CS  
HU  
RO  
**LV**  
LT  
ET  
HR  
SL  
SK  
BG  
UK  
TR



Projektuojant belaidę krūmaprovę, didžiausias prioritetas suteiktas saugai, eksploatacinėms savybėms ir patikimumui.

## NAUDOJIMO PASKIRTIS

Grandininis pjūklas skirtas pjauti tik lauke. Darbo šiuo įrenginiu saugą galima užtikrinti tik dirbant abiem rankomis. Gaminys skirtas namų savininkams arba buitiniam naudojimui. Įrankis skirtas pjauti ir apkarpyti gyvatvoret, krūmokšnius ir panašius augalus.

Jį reikia naudoti sausose ir gerai apšviestose vietose.

Jis NESKIRTAS pjauti žolę, medžius ar šakas. Šio įrankio nenaudokite jokiam kitam darbui, tik gyvatvorių apkarpymui.

## BENDRI ELEKTRINIO ĮRANKIO SAUGOS ĮSPĖJIMAI

### ⚠ ĮSPĖJIMAS

**Perskaitykite visus saugos įspėjimus ir visą instrukciją.** Įspėjimų ir instrukcijų nesilaikymas gali sukelti elektros smūgį, gaisrą ir (ar) rimtus sužeidimus. Saugokitės šių įspėjimų ir nurodymų, kad galėtumėte vadovautis jais vėliau.

Įspėjimuose nurodytas terminas „elektrinis įrankis“ reiškia elektrinio įrankio naudojimą, jį prijungus prie maitinimo tinklo (laidu) arba maitinimo baterijos (belaidis).

## DARBO APLINKA

- Darbo vieta turi būti švari ir gerai apšviesta. Nelaimingi atsitikimai įvyksta netvarkingose ar tamsiose vietose.
- Nenaudokite elektrinių įrankių, jei šalia yra degios ir sprogti galinčios medžiagos (skysčiai, dujos ar dulksės). Elektriniai įrankiai kibirkščiuoja ir gali uždegti dulkes arba garus.
- Neleiskite vaikams ir šalia esantiems asmenims būti šalia įjungto elektrinio įrankio. Išsiblaškę galite prarasti kontrolę.

## ELEKTRINIO ĮRANKIO SAUGA

- Elektrinio įrankio kištukai turi atitikti kištukinių lizdą. Niekada nekeiskite kištuko. Su įžemintais (įžeminimo) elektriniais įrankiais niekada nenaudokite kištukų adapterių. Nepakeisti kištukai ir atitinkantys lizdai sumažina elektros smūgio pavojų.
- Stenkitės nesiliesti prie įžemintų ar įžeminimo paviršių (vamzdžių, radiatorių, grandinių / viryklių, šaldytuvų). Įžeminus savo kūną, padidės elektros smūgio pavojus.
- Gaminio negalima naudoti ar laikyti lietuje ar drėgmėje. Dėl vandens, patekusio į elektrinį įrankį, padidėja elektros smūgio pavojus.
- Laidą naudokite pagal jo paskirtį. Niekada jo nenaudokite elektriniams įrankiams pernešti, tempti ar išjungti. Saugokite maitinimo laidą nuo karščio, tepalų, aštrių kampų ir judančių detalių. Pažeisti ar supainioti laidai padidina elektros smūgio galimybę.

- Dirbdami su elektriniu įrankiu lauke, naudokite tik lauke naudoti skirtus ilginamuosius laidus. Naudojant tinkamą laukui laidą sumažinama elektros smūgio tikimybė.
- Jei būtina naudotis elektriniu įrankiu drėgnomis oro sąlygomis, naudokite likutinės srovės prietaisą (RCD). Naudojant RCD sumažinama elektros smūgio tikimybė.

## ASMENINĖ SAUGA

- Būkite budrus ir stebėkite, ką darote, bei sąmoningai naudokite elektrinį įrankį. Nesinaudokite įrankiu, kai esate pavargę ar paveikti narkotinių medžiagų, alkoholio ar vaistų. Neatidumas darbo su elektriniu įrankiu metu gali sukelti sunkius sužeidimus.
- Naudokite asmeninės apsaugos įrangą. Visada dėvėkite akių apsaugos priemones. Atitinkamomis sąlygomis naudojamos apsaugos priemonės, pvz. dulkių kaukė, neslystantys apsauginiai batai, šalmas ar apsaugos ausims, sumažina asmeninių sužeidimų pavojų.
- Saugokitės, kad įrankis netyčia neįsijungtų. Įsitikinkite, kad prieš prijungiant įrankį prie maitinimo šaltinio ir (ar) baterijos, pakeliant ar nešant įrankį, jungiklis yra išjungtas. Nešant elektrinį įrankį, uždejęs pirštą ant jungiklio, arba elektrinį įrankį, kurio jungiklis yra įjungtoje padėtyje, gali įvykti nelaimingas atsitikimas.
- Prieš įjungiant elektrinį įrankį, išimkite derinimo raktą ar veržliaraktį. Jei juos paliksite pridėtus prie besisukančios įrankio dalies, galite susižaloti.
- Nepersitempkite. Visada tvirtai stovėkite ir išlaikykite pusiausvyrą. Tai padės geriau kontroliuoti įrankį netikėtų situacijų metu.
- Dėvėkite tik darbui tinkamus drabužius. Nedėvėkite laisvų, neprikludusių drabužių ir juvelyrinių dirbinių. Saugokite plaukus, drabužius ir pirštines toliau nuo judančių dalių. Laisvi drabužiai, papuošalai ar ilgi plaukai gali įsipainioti į judančią įrankio dalį.
- Jei įrengti dulkių ištraukimo ir surinkimo įrenginiai, įsitikinkite, kad jie prijungti ir naudojami tinkamai. Su dulkėmis susijusiam pavojui sumažinti naudokite dulkių surinkimą.

## ELEKTRINIO ĮRANKIO NAUDOJIMAS IR PRIEŽIŪRA

- Nenaudokite per didelės jėgos. Pritaikykite tinkamą elektrinį įrankį atliekamam darbui. Naudodami pagal paskirtį pagamintą tinkamą elektrinį įrankį, darbą atliksite geriau ir saugiau.
- Nenaudokite elektrinio įrankio, jei jungiklio negalite įjungti ir išjungti. Jungikliu nevaldomas elektrinis įrankis yra pavojingas ir jį reikia taisyti.
- Prieš sureguliuojant įrankį, keičiant atsargines dalis ar sandėliavimą atjunkite laidą nuo maitinimo šaltinio ir (ar) akumulatoriaus. Tokios saugumo priemonės apsaugos nuo atsitiktinio įrankio įsijungimo.
- Laikykite elektrinį įrankį vaikams neprieinamoje vietoje ir neleiskite juo naudotis asmenims, kurie nemoka juo naudotis. Nejududsiems asmenims elektriniai įrankiai yra pavojingi.







- **Pržiūrėkite elektrinius įrankius. Patikrinkite judančių detalių nesutapimus, sukibimą, ar sumontuotos detalės nesulūžusios bei kitą būklę, kuri gali turėti neigiamos įtakos įrankio veikimui. Jei įrankis sugedęs, prieš naudojimą jį reikia suremontuoti. Nemažai nelaimingų atsitikimų įvyksta dėl netinkamai prižiūrimų elektrinių įrankių.**
- **Pjovimo įrankiu reikia pastoviai galėsti ir valyti. Tinkamai prižiūrėti aštriais ašmenimis pjovimo įrankiai mažiau stringa ir juos lengviau valdyti.**
- **Naudokite elektrinius įrankius, atsargines detales, grąžtus ir t. t., pagal šias instrukcijas ir atsižvelgdami į darbo sąlygas bei turimą atlikti darbą. Naudokite elektrinį įrankį tik pagal tiesioginę paskirtį, kitaip sukelsite pavojingą situaciją.**

## ĮRANKIO SU AKUMULIATORIUMI NAUDOJIMAS IR PRIEŽIŪRA

- **Pakartotinai kraukite prietaisą tik naudodami gamintojo nurodytą kroviklį. Vieno tipo akumuliatoriui tinkantis įkroviklis gali kelti gaisro pavojų kitokiam akumuliatoriui.**
- **Elektrinius įrankius naudokite tik su jiems skirtais baterijų paketais. Naudojant kitokius akumulatorius, galima susižeisti ar sukelti gaisrą.**
- **Kai akumulatorius nenaudojamas, jį laikykite toliau nuo kitų metalinių daiktų, pavyzdžiui, sąvaržėlių, monetų, raktų, vinių, varžtų ar kitų mažų metalinių daiktų, kurie vieną gnybtą gali sujungti su kitu. Sutrupinus vieną akumuliatoriaus gnybtą su kitu, galima nusideginti arba sukelti gaisrą.**
- **Netinkamomis sąlygomis iš akumuliatoriaus gali ištėkėti skystis - nelieskite jo. Jei atsitiktinai prisilietėte - nuplaukite vandeniu. Jei skysčio pateko į akis, papildomai kreipkitės į gydytoją. Iš akumuliatoriaus ištėkėjęs skystis gali nudeginti ar sukelti sudirginimus.**

## TECHNINIS APTARNAVIMAS

- **Elektrinį įrankį turi remontuoti tik kvalifikuoti darbuotojai, kurie naudoja identiškas atsargines dalis. Tai užtikrina elektrinio įrankio saugumą.**

### KRŪMAPJOVĖS SAUGOS PERSPĖJIMAI

- **Laikykitės toliau nuo pjoviklio ašmenų. Kai geležtės juda, pjaunamos medienos ar tos medienos, kurią laikote ir ketinate pjauti, nebandykite pašalinti. Prieš šalindami įstrigusias medžiagas patikrinkite, ar jungiklis yra išjungtas. Naudojant krūmaplovę, dėl menkiausio neatidumo, galima sunkiai susižeisti.**
- **Neškite gyvatvorės apkarpyimo mašinėlę už rankenos ir išjungta geležte. Įrankio transportavimo ar saugojimo metu visada uždėkite apsauginį dangtį. Tinkama gyvatvorės apkarpyimo mašinėlės priežiūra sumažina sužeidimų nuo pjovimo geležtės pavojų.**
- **Elektrinį įrankį reikia laikyti tik už izoliuoto rankenų paviršiaus, nes žirklių ašmenys gali susiliesti su paslėptais laidais. Pjovimo geležtės, prisilietę prie laido, prijungto prie maitinimo šaltinio, gali aktyvuoti metalines elektrinio įrankio detales ir sukelti operatoriumi**

elektros smūgį.

### PAPILDOMI SAUGOS ĮSPĖJIMAI

- **Kai kuriuose regionuose šio gaminio naudojimą tam tikriems darbams apriboja galiojantys įstatymai. Kreipkitės patarimo į vietos įstaigą. Perskaitykite visas instrukcijas**
- **Prieš pradėdami darbą sutvarkykite darbo vietą. Pašalinkite visus objektus, kaip laidai, apšvietimai, vielos ar virvės, kurie gali atsitrekti į pjovimo įtaisus ar juose įspainioti.**
- **Reikia patikrinti, ar gyvatvorėje nėra pašalinių objektų, pavyzdžiui, vielinių aptvėrimų.**
- **Būkite itin atsargus, kai naudojate prietaisą šalia tvorų, stulpų, pastatų ar kitų nejudančių objektų.**
- **Saugokitės ištiškusių objektų: visi pašaliniai asmenys, vaikai ir naminiai gyvūnai turi būti ne mažiau, kaip 15 m atstumu nuo darbo srities.**
- **Neleiskite vaikams ar neapmokytiems asmenims naudotis šiuo prietaisu.**
- **Dirbkite gerai apšviestoje aplinkoje. Kad pastebėtų galimus pavojus, prietaisu dirbančiam asmeniui turi būti sudarytos gero matomumo sąlygos.**
- **Prieš pradėdami naudotis įrankiu visada įsitinkinkite, kad visos rankenos ir apsaugos yra tinkamai pritvirtintos. Niekada nebandykite naudoti nesurinkto gaminio arba atlikę neleistinus pakeitimus.**
- **Prieš kiekvieną naudojimą patikrinkite, ar tinkamai veikia visi valdikliai ir saugos įtaisai. Nenaudokite įrankio, jeigu išjungimo jungikliu nepavyksta sustabdyti krūmaplovės.**
- **Prieš kiekvieną naudojimą apžiūrėkite krūmaplovę. Patikrinkite, ar nėra atsipalaidavusių tvirtinamųjų elementų Patikrinkite, ar visos apsaugos, rankenos tinkamai ir patikimai pritvirtintos. Prieš naudodami prietaisą pakeiskite visas pažeistas dalis. Patikrinkite, ar nėra ištėkėjimo iš akumuliatoriaus.**
- **Draudžiama kaip nors modifikuoti gaminį.**
- **Naudodami šį įrenginį, dėvėkite pilną akių ir klausos apsaugą. Dirbant zonoje, kurioje gali kristi objektai, būtina dėvėti galvos apsaugos priemones.**
- **Dėvėkite sunkias ilgąs kelnės, batus ir pirštines. Nedėvėkite dukšlių drabužių, trumpų kelnių, papuošalų ir atviros avalynės.**
- **Ilgus plaukus reikia susėti virš pečių lygio, kad neįsipainiotų į judančią dalis.**
- **Klausos apsaugos priemonių naudojimas sumažina įspėjamųjų garsų (ryksmų arba pavojaus signalų) girdėjimo galimybę. Operatorius turi atkreipti ypatingą dėmesį, kas vyksta darbo vietoje.**
- **Netoliese naudojant panašius prietaisus padidėja pavojus pakenkti klausą ir galimybė kitiems asmenims patekti į darbo zoną.**
- **Nesinaudokite šiuo prietaisu, kai esate pavargę, sergate, ar esate pavartoję alkoholio, narkotikų ar vaistų.**
- **Visada tvirtai stovėkite ir išlaikykite pusiausvyrą. Nepersitempkite. Jei sieksite per toli, galite prarasti pusiausvyrą ar prisiliesti prie įkaitusių paviršių.**





- Stovėkite toliau nuo visų judančių įrankio detalių.
- Prieš paleisdami krūmapjovę, patikrinkite, ar pjovimo geležtės į nieką neatsitrenks.
- Naudodami krūmapjovę būtinai ją tvirtai laikykite abiem rankomis už dviejų rankenų ir pasirūpinkite, kad darbo padėtis būtų saugi ir patikima. Gamintojas nepataria pasilypti ant laiptelių ar kopėčių. Jeigu reikia pjauti aukščiau, naudokite pailgintą įrankį.
- Geležtės aštrios. Lieskite geležtes tik dėvėdami neslidžias, tvirtas apsaugines pirštines. Nedėkite plaštakos ar pirštų tarp geležčių ar ten, kur jie gali būti sugnybti ar įpjauti. Ašmenis ar žirkles galima liesti tik kai baterijų paketas yra išimtas.
- Baterijų paketą reikia išjungti ir išimti prieš atliekant šiuos veiksmus:
  - pjovimo prietaiso darbo padėties nustatymas
  - valant ar šalinant užsikimšimą
  - gaminio palikimas be priežiūros
  - krūmapjovės patikra, priežiūra ar naudojimas
- Nepjunkite per jėgą tankių krūmų. Dėl to geležtė gali užsikirsti ir pradėti lėčiau dirbti. Geležtėms sulėtėjus sumažinkite darbo tempą.
- Nepjunkite stiebų ar šakų, storesnių nei 18 mm (RHT1851R15, RHT1851R20, RHT1851R25, OHT1851R), 22 mm (RHT1855R40, OHT1855R), ar kitų, akivaizdžiai per didelių, kad tilptų tarp geležčių. Norėdami nupjauti storesnius stiebus ir šakas, naudokite rankinį arba gėnimo pjūklą.
- Prietaiso nenaudokite, jei pjovimo įtaisais yra pažeistas ar žymiai nusidėvėjęs.

#### ⚠ ĮSPĖJIMAS

Numetus krūmapjovę, jei stipriai susitrenkus ar pradėjus neįprastai vibruoti, ją reikia nedelsiant sustabdyti ir patikrinti, ar nepakenkta arba nustatyti vibravimo priežastį. Pakenktos dalys turi būti tinkamai sutaisytos arba pakeistos įgaliotame techninio aptarnavimo centre.

#### GABENIMAS IR LAIKYMAS

- Prieš gaminį padedant į sandėlį ar gabenant, jį reikia sustabdyti, išimti bateriją ir palaukti, kol įtasis atvės.
- Nuo įrankio nuvalykite visas pašalines medžiagas. Laikykite vėsioje, sausoje, gerai vėdinamoje ir vaikams nepasiekiamoje vietoje. Kad būtų saugiau, akumuliatorių reikia laikyti padėtą atskirai nuo krūmapjovės. Nelaikykite jo arti nuo tokių koroziją sukeliančių reagentų kaip cheminės sodininkystės medžiagos arba druskos, naudojamos prieš apledėjimą. Nelaikykite lauke.
- Prieš padėdami įrankį saugoti ar jį pervežant, geležtę visada uždenkite apsauginiu gaubtu.
- Paruošiant gabenimui, gaminį reikia pritvirtinti, kad nejudėtų ir nenukrsitų, nes priešingu atveju jis gali sužaloti žmones arba sugesti pats.

#### LIČIO BATERIJŲ TRANSPORTAVIMAS

Akumuliatorių gabenkite pagal vietinius ir šalies reikalavimus bei nuostatas.

Akumulatorius gabenant trečiajai šaliai būtina laikytis visų specialių reikalavimų, nurodytų pakuotėse ir etiketėse. Užtikrinkite, kad gabenimo metu nei vienas akumuliatorius nesiliestų su kitais akumuliatoriais arba laidžiosiomis medžiagomis – apsauginius jungiamuosius elementus uždenkite izoliacinėmis nelaidžiomis movomis arba juosta. Įskilusių ir tekančių akumuliatorių negabenkite. Dėl tolesnių patarimų kreipkitės į transporto įmonę.

#### PRIEŽIŪRA

##### ⚠ ĮSPĖJIMAS

Keitimui naudokite tik originalias gamintojo atsargines dalis. Neoriginalios dalys gali būti sužeidimų ir įrenginio blogo veikimo priežastis, ir dėl to gali būti anuluotas garantinis pažymėjimas.

##### ⚠ ĮSPĖJIMAS

Aptarnavimą atlikti būtina itin atidžiai, todėl rekomenduojame, kad techninę apžiūrą vykdytų kvalifikuotas specialistas. Techninei apžiūrai atlikti patariame gražinti prietaisą į artimiausią įgaliotą paslaugų teikimo tarnybą. Sugedusias detales keiskite tik originaliomis detalėmis.

##### ⚠ ĮSPĖJIMAS

Geležtės aštrios. Kad nesusižeistumėte, būkite ypatingai atsargūs valydami bei tpdami įtaisą ir uždėdami arba nuimdami geležčių apsauginį įrenginį.

- Prieš atlikdami grandininio pjūklo reguliavimo, priežiūros ar valymo darbus, išimkite bateriją.
- Prietaisą galite reguliuoti ir remontuoti, kaip aprašyta šiame naudotojo vadove. Dėl kitų remonto darbų kreipkitės į įgaliotą techninio aptarnavimo centrą.
- Po kiekvieno panaudojimo nuvalykite įtaiso korpusą ir rankenas minkšta sausa servetėle.
- Po kiekvieno panaudojimo nuvalykite sąnašas nuo geležčių standžiu šepetėliu, po to rūpestingai ištepkite nuo rūdijimo apsaugančiu tepalu ir tik tada uždėkite geležčių apsauginį įrenginį. Gamintojas pataria naudoti purškiamąjį nuo rūdijimo apsaugantį tepalą, kad tolygiai pasiskirstytų ant geležčių bei būtų mažesnis pavojus susižeisti prie jų prisilietus. Informacijos apie tinkamą purškiamąjį tepalą kreipkitės į vietinį įgaliotą techninio aptarnavimo centrą.
- Jei reikia, galite minėtoju būdu truputį patepti geležtes prieš naudodami įtaisą.
- Dažnai tikrinkite visas veržles, varžtus ir sraigtus, ar jie tvirtai laikosi ir ar gaminys yra saugios darbo būklės stovyje. Bet kurią apgadintą detalę leidžiama remontuoti arba keisti tik autorizuotame aptarnavimo centre.

#### ŠALUTINIAI PAVOJAI

Net naudojant gaminį pagal nurodymus, neįmanoma visiškai atmesti visų pavojaus veiksnių. Gali kilti toliau nurodyti pavojai, todėl operatorius turi būti itin dėmesingas,



kad išvengtų šių dalykų:

- sužeidimai prisilietus prie geležčių
  - Prisilietus prie geležčių, galima rimtai susižeisti. Laikykite geležtę atokiai nuo savęs ir kitų asmenų. Kai negenite, uždenkite krūmapoję geležčių apsauginiu įtaisu.
- Vibracijos sukeltas sužalojimas.
  - Kiekvieną darbą atlikite jam skirtu įrankiu, naudokite atitinkamas rankenas ir ribokite darbo bei buvimo sveikatai žalingoje aplinkoje laiką.
- Klausos pakenkimas dėl buvimo triukšme.
  - Dėvėkite akių apsaugą ir ribokite poveikio trukmę.

## RIZIKOS MAŽINIMAS

Turime pranešimų, kad vibracija nuo ranka laikomų įrankių kai kuriems asmenims gali turėti neigiamos įtakos vystantis Raynaud sindromui. Šios ligos požymiai yra pirštų dilgčiojimas, nutirpimas ir pabalimas, paprastai pasireiškiantis nuo šalčio. Šie simptomai vystosi dėl paveldimų veiksnių, nesisaugant nuo šalčio ir drėgmės, dėl mitybos, rūkymo ir darbo praktikos. Operatorius gali imtis šių priemonių, kurios gali sumažinti vibracijos poveikį:

- Apsirenkite kuo šilčiau šaltu oru. Naudojant gaminį, reikia mūvėti pirštines, kad plaštakos ir riešai neatšaltų.
- po darbo kiekvieną kartą pasportuokite, kad pagerėtų kraujo apytaka;
- dažnai darykite darbo pertraukas. Apribokite darbo laikotarpį per dieną.

Jei jums pasireiškia kokie nors šios būklės simptomai, nedelsdami nutraukite darbą ir kreipkitės į gydytoją.

## ⚠ ĮSPĖJIMAS

Ilgiau naudojant, įrankis kelia sužeidimų pavojų ir apsunkina darbą. Ilgiau naudojant įrankius, reikia reguliariai daryti pertraukas.

## PAVAIZDAVIMAS

Žr. 128 psl.

### DALYS

1. Galinė rankena
2. Perjungiklis
3. Rankenos sukimo blokavimo mygtukas
4. Priekinė rankena
5. Įtaisą naudojančio asmens buvimo jungiklis
6. Apsauginis skydelis
7. HedgeSweep™ atliekų šlavyklė
8. Geležtė
9. Geležtės gaubtas
10. Baterija
11. Baterijos užšovo mygtukas
12. Įkroviklis

## SIMBOLIAI ANT ĮRENGINIO



Pranešimas apie saugumą



Atidžiai perskaitykite instrukcijas prieš pradėdami naudoti mechanizmą.



Dėvėkite ausų apsaugos priemones



Dėvėkite apsauginius akinius



Dirbdami su gyvatvorės apkarpyimo mašinėle ją laikykite abiem rankomis.



Mūvėkite neslystančias, tvirtas apsaugines pirštines.



Kad sunkiai nesusižeistumėte, nelieskite pjovimo geležčių.



Nenaudoti lyjant ar esant drėgnoms sąlygoms.



Saugokitės išmetamų arba skrendančių objektų. Visi pašaliniai asmenys, ypač vaikai ir naminiai gyvūnai, turi būti ne arčiau kaip 15 m nuo darbo vietos.



Šis prietaisas atitinka visas reglamentuotas normas ES šalies, kur jis buvo nupirktas.



„EurAsian“ atitikties ženklas



Ukrainos atitikties ženklas



Garantuotas garso galios lygis rodomas šioje etiketėje yra 94 dB.



Elektrinių produktų atliekos neturi būti metamos kartu su namų ūkio atliekomis. Prašome perdirbkite jas ten, kur yra tokios perdirbimo bazės. Dėl perdirbimo patarimo kreipkitės į savo vietinę savivaldybę ar pardavėją.

## SIMBOLIAI VADOVE



Detalės arba priedai yra parduodami atskirai



Pastaba



Įspėjimas!

Šie signaliniai žodžiai yra skirti nurodyti su prietaiso naudojimu susijusio pavojaus lygį.

**⚠ PAVOJUS**

Reiškia ypač pavojingą padėtį, kurios neišvengus bus patirti sunkūs ar net mirtini sužeidimai.

**⚠ ĮSPĖJIMAS**

Reiškia potencialiai pavojingą situaciją, kurios neišvengus galimi sunkūs ar net mirtini sužeidimai.

**⚠ ATSARGIAI**

Reiškia potencialiai pavojingą situaciją, kurios neišvengus galimi lengvi ar vidutinio sunkumo sužeidimai.

**ATSARGIAI**

Be įspėjamųjų simbolių

Reiškia nuosavybės žalos tikimybę.



Akutoitega hekitrimmeri konstrueerimisel on peaesmärgiks olnud toote ohutus, tootlikkus ja töökindlus.

## OTSTARBEKOHANE KASUTAMINE

See toode on ette nähtud kasutamiseks vaid väljaspool ruume. Ohutuse tagamise eesmärgil peab töötamise ajal hoidma tööriista kahe käega, et seda saaks piisavalt kontrollida.

Seade on ette nähtud kasutamiseks kodumajapidamises. See on ette nähtud hekkide, okste ja sarnate taimeosade lõikamiseks ja trimmimiseks.

Seda tuleb kasutada kuivas ja heades valgustustingimustes.

See EI OLE ette nähtud rohu, puude või jämedate okste lõikamiseks. Seda ei tohi kasutada muuks otstarbeks kui heki trimmimiseks.

## ELEKTRITÖÖRIISTADE OHUTUSE ÜLDESKIRJAD

### ⚠ HOIATUS

**Lugege kõik ohuhoiatused ja juhised läbi.** Hoiatuste ja juhiste eiramisel on oht saada elektrilööki või raskeid kehavigastusi ning/või põhjustada tulekahju. Hoidke kõik hoiatused ja juhised tulevikus vaatamiseks alles.

Hoiatuses kasutatav termin „elektritööriist“ tähendab mehaanilist tööriista, mis saab toidet elektrivõrgust (juhtmega) või akust (ilma juhtmata).

## TÖÖKOHT

- **Hoidke töökoht puhas ja hästi valgustatud.** Korrastamata ja pimedas kohas töötamisel võivad juhtuda õnnetused.
- **Ärge kasutage elektritööriistu plahvatusohtlike keskkondades, näiteks kergestisüttivate vedelike ja gaaside läheduses ega tolmuses kohas.** Elektritööriistad tekitavad sädemeid, mis võivad tolmu või auru süüdata.
- **Elektritööriistaga töötamisel hoidke lapsed ja kõrvalised isikud eemal.** Tähelepanu hajumise korral võib teil kontroll kaduda.

## ELEKTRIOHUTUS

- **Elektritööriistade pistikud peavad pistikupessa sobima.** Ärge püüdke pistiku konstruktsiooni mingil moel muuta. Ärge ühendage maanduskontaktiga (kordusmaandusega) elektritööriistu elektrivõrku läbi vahepistmike. Pistiku ja pistikupesa konstruktsiooni muutmise korral tekib elektrilöögi oht.
- **Hoiduge kehalisest kontaktist maandatud pindadega, näiteks torud, radiaatorid, elektripliidid ja külmikud.** Kehaosade maandamisel suureneb elektrilöögi saamise oht.
- **Ärge jätke kultivaatorit vihma kätte või märga kohta.** Vee sattumisel elektrilise tööriista sisse suureneb elektrilöögi saamise oht.
- **Ärge kasutage toitejuhet mittesihipäraselt.** Ärge kasutage toitejuhet tööriista kandmiseks, vedamiseks või pistikupesast väljatõmbamiseks.

**Hoidke toitejuhe eemal kuumusest, õlist, teravatest servadest ja liukuvatest osadest.** Vigastatud või keerdsu toitekaablid suurendavad elektrilöögi ohtu.

- **Väljas töötamisel kasutage välistingimustes kasutamiseks sobivaid pikendusjuhtmeid.** Välistingimustele sobiva pikendusjuhtme kasutamine vähendab elektrilöögi ohtu.
- **Kui elektritööriistaga töötamine niisketes oludes on vältimatu, siis kasutage rikkevoolu-kaitSELÜlitiga (RCD) kaitstud vooluvõrku.** RCD kasutamine vähendab elektrilöögi ohtu.

## ISIKUKAITSE

- **Mehaanilise tööriistaga töötamisel jälgige tööpiirkonda ja kasutage sealjuures tervet mõistust.** Ärge kasutage tööriista siis, kui te olete väsinud, uimastite, alkoholi või ravimite mõju all. Hetkeline tähelepanu hajumine tööriista kasutamise ajal võib põhjustada raske kehavigastuse.
  - **Kasutage isikukaitsevahendeid. Kandke alati silmakaitsevahendeid.** Kui töölolud seda nõuavad, tuleb kasutada isikukaitsevahendeid, näiteks tolmumaski, libisemiskindlaid turvajalatsi, kiivrit ja kuulmiskaitsevahendeid, mis kehavigastuste riski vähendavad.
  - **Vältige tahtmatut käivitumist. Enne toitejuhtme või aku ühendamist, tööriista käte võtmist või teisaldamist veenduge, et tööriista lüliti on välja lülitatud.** Õnnetuste vältimiseks ärge hoidke tööriista kandmise ajal sõrme lülitusnupul ega ühendage tööriista toitevõrku siis, kui lüliti on sisse lülitatud.
  - **Enne tööriista sisselülitamist eemaldage sellelt reguleerivõti või mutrivõti.** Elektritööriista külge jäetud reguleerivõti või mutrivõti võivad põhjustada raske kehavigastuse.
  - **Ärge kummardage. Hoidke end pidevalt jalgadel ja tasakaalus.** Siis on teil ootamatu olukorra tekkimisel tööriista üle parem kontroll.
  - **Kandke tööks sobivat riietust.** Ärge kandke lõtvu riideid ja ehteid. Hoidke juuksed, riietusesemed ja töökindad liikuvatest osadest eemal. Lõdvad riietusesemed, ehted ja pikad juuksed võivad haakuda liikuvate osade külge.
  - **Kui tööriistal tuleb kasutada tolmu eraldamis- või kogumisseadisi, siis veenduge, et need on ühendatud ja nõuetekohases kasutuses.** Tolmukoguri kasutamisega saab vähendada tolmu seotud ohtusid.
- ## ELEKTRITÖÖRIISTA KASUTAMINE JA KORRASHOID
- **Ärge kasutage töötamisel liigset jõudu.** Kasutage tööks sobivat elektritööriista. Õigesti valitud elektritööriist töötab ettenähtud võimsuspiirkonnas paremini ja ohutumalt.
  - **Ärge kasutage elektritööriista, kui lüliti ei lülita seda sisse ja välja.** Lülitiga lülitamatu tööriista kasutamine on ohtlik ja see tuleb lasta ära remontida.
  - **Enne tööriista reguleerimist, varvikute vahetamist või houstumist võtke toitejuhe pistikupesast välja või eemaldage aku.** Need ennetavad ohutusmeetmed vähendavad tööriista tahtmatu käivitumise riski.





- **Hoidke kasutuses mitteolevaid elektritööriista lastele kättesaamatus kohas ja ärge lubage elektritööriista mitte tundvaid või kasutusjuhendiga mitte tutvunud isikuid elektritööriista kasutada.** Oskamatu kasutaja käes olev elektritööriist on ohtlik.
- **Mehaaniliste elektritööriistade hooldus. Kontrollige liikuvate osade mittetsentreeritust ja kinnitumist, osade vigastusi ning tehke kindlaks muud seisundid, mis võivad mõjustada elektritööriista tööd.** Kui mõni osa on vigastatud, siis laske elektritööriist enne kasutamist ära parandada. Halvasti hooldatud elektritööriistad põhjustavad palju õnnetusi.
- **Hoidke lõiketerad teravad ja puhtad.** Teravate lõiketeradega ja nõuetekohaselt hooldatud lõikeriistad jäävad harvemini kinni ning neid on kergem kontrolli all hoida.
- **Tööriistade, tarvikute, otsakute ja muude lisaseadmete kasutamisel juhinduge nende kasutusjuhenditest, võttes arvesse tehtavat tööd ja tööolusid.** Tööoperatsiooniks mitte ettenähtud tööriista kasutamine võib tekitada ohtliku olukorra.

#### AKUTÖÖRIISTA KASUTAMINE JA KORRASHOID

- **Laadige akut ainult tootja poolt ettenähtud laadijaga.** Akulaadija, mis sobib ühele akupaketile võib põhjustada tulekahju, kui seda kasutada teise akupaketiga.
- **Kasutage akutööriista ainult selleks ettenähtud akudega.** Muude akupakettide kasutamine võib põhjustada kehavigastusi või tulekahju.
- **Sel ajal kui akupakett ei ole kasutusel, hoidke seda eemal metallesemetest nagu kirjaklambrid, mündid, võtmed, naelad, kruvid ja muudest väikestest metallobjektidest, mis võivad akuklemmid lühistada.** Aku klemmide lühistamine võib põhjustada põletust või tulekahju.
- **Aku vale kasutamise korral võib akuvedelik välja voolata - vältige sellega kokkupuudet.** Akuvedeliku nahale sattumisel peske see veega maha. Akuvedeliku silma sattumisel pöörduge arsti poole. Väljapritsvitud akuvedelik võib tekitada nahaärritust või põletust.

#### TEENINDAMINE

- **Laske oma elektrilist tööriista hooldada väljaõppinud teenindustöötajal; remontimisel tohib kasutada ainult originaalvaruosi.** See tagab elektriseadme ohutuse.

#### HEKITRIMMERI OHUTUSEESKIRJAD

- **Hoidke kõik kehaosad lõiketerast eemal. Ärge üritage eemaldada ega hoida lõigatavat materjali sel ajal kui lõiketerad liiguvad.** Kui oks jääb terade vahele kinni, siis lülitage trimmer välja. Hetkeline tähelepanu hajumine seadme kasutamise ajal võib põhjustada raske kehavigastuse.
- **Teisaldamise ajaks lülitage hekitrimmer välja ja kandke seda käepidemest.** Hekitrimmeri teisaldamisel või hoiulepanekul paigaldage latile alati kaitsekate. Hekitrimmeri õige käsitsemine

vähendab lõiketeradega seotud kehavigastusi.

- **Hoidke tööriista kinni ainult isoleeritud haardepindadest, sest lõiketera võib sattuda kokkupuutesse varjatud juhtmega.** Kui tööriist satub kontakti pinge all olevate juhtmega, jäävad tööriista isoleerimata metallosad pingele alla ja kasutaja võib saada elektrilöögi.

#### TÄIENDAVAD OHUTUSJUHISED

- Mõnedes piirkondades on seadused, mis piiravad toote kasutamist teatud tööde tegemiseks. Lisateavet saate kohalikest omavalitsusest. Lugege kõik juhised läbi
- Enne töö alustamist tuleb tööpiirkond alati korrastada. Eemaldage kõik esemed, nagu traadid, valgustid, juhtmed või nõõrid, mis võivad välja lennata või takerduda lõiketera külge.
- Kontrollige, et hekis ei ole võõrkehased, näiteks traatvõrku.
- Olge veelgi ettevaatlikum, kui kasutate toodet piirdeaedade, postide, hoonete või teiste liikumatute objektide lähedal.
- Hoidke kõik kõrvalseisjad, lapsed ja lemmikloomad vähemalt 15 meetri kaugusel.
- Ärge lubage seadet kasutada lastel ega väljaõppeta isikutel.
- Ärge kasutage seadet halva valgustatuse korral. Töötajal peab tööpiirkonnale olema selge väljavaade, et tuvastada võimalikud ohtud.
- Seadme kasutamisel tagage alati, et kõik käepidemed ja kaitsekatted on oma kohtadel. Ärge kunagi proovige kasutada puudulikku või lubamatult muudetud toodet.
- Enne seadme kasutamise alustamist veenduge, et kõik juht- ja ohutusseadised töötavad nõuetekohaselt. Kui seade nupule OFF vajutamisel välja ei lülitu, ärge hakake tööriista kasutama.
- Kontrollige seade iga kord enne kasutamist üle. Kontrollige saag üle lõtvunud kinnitite suhtes. Veenduge, et kõik kaitseid ja käepidemed on õigesti ja ohutult kinnitatud. Enne kasutamist asendage kõik vigastatud koosteosad. Kontrollige, et akupakett ei leki.
- Ärge muutke toodet mitte mingil viisil.
- Kandke selle seadme kasutamisel kaitseprille ja kõrvaklappe. Töötamisel kohtades, kus on allakukkivate esemete oht, tuleb kanda kiivrit.
- Kandke tugevasti riidest pikki pükse, saapaid ja kindaid. Ärge kandke lõtvu riideid, lühikesi pükse, mistahes ehteid ega töötage paljajalu.
- Kinnitage pikad juuksed õlgadest kõrgemale, et vältida nende takerdumist liikuvate osade vahele.
- Kuulmiskaitsevahendid takistavad häälhoiatuste (hüüded ja helisignaali) kuulmist. Operaator peab seda arvesse võtma ja pöörama täiendavat tähelepanu sellele, mis toimub tema töökohal.
- Mitme sarnase seadme töötamisel samas piirkonnas suurendab kuulmiskahjustuse riski töötajal ja inimestel, kes tööpiirkonda sisenevad.
- Ärge kasutage seadet väsinuna või haigena ega siis, kui olete uimastite, alkoholi või ravimite mõju all.
- Hoidke kindlat jalgade asendit ja tasakaalu. Ärge



kummardage. Liigse väljaküünitamise korral võite kaotada tasakaalu või puutuda vastu kuumasid pindasid.

- Hoidke kõik kehaosad liikuvatest osadest eemal.
- Enne seadme käivitamist veenduge, et lõiketerad ei satu millegagi kokkupuutesse.
- Hoidke trimmerit töötamise ajal mõlema käega kindlalt kinni ja veenduge, et tööasend on ohutu ja kindel. Tootja ei soovita kasutada treppe ja redeleid. Kui on vaja trimmida kõrgelt, kasutage pikendatud tööulatusesega seadet.
- Lõiketerad on teravad. Terade käitlemisel kandke libisemiskindlaid, tugevdatud kaitsekindlaid. Ärge pange oma kätt või sõrmi terade vahele või sellisesse asendisse, kus need võivad pitsitusi või sisselöikeid saada. Ärge mingil juhul puudutage lõiketera ja ärge hakake seadet hooldama, ilma et akupakett oleks eemaldatud.
- Lülitage seade välja ja võtke akupakett välja enne järgmisi töid.
  - lõikeorgani tööasendi seadistamine
  - puhastamine ja ummistuse kõrvaldamine
  - toote jätmisel järelevalveta
  - seadme kontrollimine, hooldamine või teenindamine
- Ärge suruge trimmerit läbi tiheda pöösastiku. See võib põhjustada terade kinnijäämise ja töökiiruse languse. Kui töökiirus langeb, siis alandage käiku.
- Ärge püüdke lõigata võsud või võrseid, mille läbimõõt on üle 18 mm (RHT1851R15, RHT1851R20, RHT1851R25, OHT1851R), 22 mm (RHT1855R40, OHT1855R) või mis ilmselt ei mahu lõiketerade vahele. Suurte varte piiramiseks kasutage käsisaagi või mootoriga oksasaagi.
- Ärge kasutage masinat, kui selle lõikeseade on vigastatud või väga kulunud.

#### HOIATUS

Kui seade on maha kukkunud, saanud tugeva löögi või hakkab ebanormaalselt vibreerima, seisake seade viivitamatult ja kontrollige see üle vigastuste suhtes. Kõik vigastused tuleb lasta volitatud hooldustöökojas parandada või asendada.

#### TRANSPORTIMINE JA HOIUSTAMINE

- Enne hoiule panekut või teisaldamist seisake mootor, võtke aku välja ja laske jahtuda.
- Puhastage seade kõikidest võõrkehastest. Hoidke kuivas ja hästi ventileeritud kohas, mis on lastele juurdepääsmatu. Täiendava ohutusabinõuna hoidke akut hekitrimmerist eraldi. Hoidke kettsaagi eemal soovitatavatest ainetest nagu aiakemikaalid ja jäätõrjevahendid. Ärge hoiustage õues.
- Enne seadme hoiulepanekut või transportimise alustamist katke lõiketera selleks ettenähtud kaitsekattega.
- Vedamise ajal tõkestage kultivaator liikuma hakkamise ja alla kukkumise vastu, et vältida kehavigastusi ja

masinaosade kahjustamist.

#### LIIUTUMAKUDE TEISALDAMINE

Akude transportimisel juhendige kasutuskohas kehtivatest riiklikest määrustest ja eeskirjadest.

Akude transportimisel allettevõtjate poolt järgige kõiki pakkimise ja tähistamise erinõudeid. Veenduge, et akud ei satu kokkupuutesse teiste akude ega voolu juhtivate materjalidega, kui avatud klemmid on transportimise ajal kaitstud voolu mittejuhtivate isoleerikorkide või teibiga. Ärge transportige pragnunud või lekkivaid akusid. Küsige lisateavet transportettevõtelt.

#### HOOLDUS

##### HOIATUS

Kasutage ainult tootja originaalvaruosi, tarvikuid ja tööorganeid. Selle nõude eiramine võib põhjustada, kehavigastuse, tootluse languse ja teile antud garantiitühistamise.

##### HOIATUS

Hooldamine nõuab ülimalt korrrashoidu ja teadmisi ning tuleks teostada ainult kvalifitseeritud hooldustehnikute poolt. Hoolduseks soovitame me viia toote remontimiseks lähimasse vo lit atud teenind uskesk usesse . Kui hooldate, kasutage ainult identseid varuosi.

##### HOIATUS

Lõiketerad on teravad. Kehavigastuse vältimiseks olge äärmiselt ettevaatlik kui seadet puhastate, määrte, tarvikut paigaldate või eemaldate terakaitset.

- Enne reguleerimist, hooldust või puhastamist eemaldage aku.
- Lubatud on teha ainult selles kasutusjuhendis kirjeldatud reguleerimis- ja parandustoiminguid. Muude remonditööde tegemiseks võtke ühendust volitatud hooldajaga.
- Pärast iga kasutuskorda pühkige seadme korpus ja käepidemed pehme kiuva lapiga puhtaks.
- Pärast iga kasutuskorda pühkige praht teradelt ära tugeva harjaga ja kandke seejärel neile roostetõrjemääret, enne kui tera kaitse uuesti kohale panete. Tootja soovib kasutada roostekaitsevahendit ja määrada tera ühtlase aerosoolvahendi kihiga, et alandada riski töötajatele kokkupuutel lõiketeradega. Teavet sellise aerosoolvahendi kohta saate oma kohalikust hoolduskeskusest
- Võite soovi korral sellel viisil määrada lõiketerasid kergelt enne kasutamist.
- Kontrollige kõiki mutreid, polte ja kruvisid sagedaste intervallidega õige pinguloleku suhtes, et veenduda toote ohutus töökorras olemises. Vigastatud osad tuleb lasta pädeval hooldajal parandada või asendada.

## JÄÄKRISKID

Isegi siis, kui kultivaatorit kasutatakse kirjeldatud viisil, ei ole võimalik kõrvaldada kõiki jääkriskide mõjureid. Töötamise ajal võivad tekkida järgmised ohud, millele operaator peab pöörama erilist tähelepanu.

- lõiketerade kokkupuutest tingitud kehavigastus
  - Lõiketera puudumine võib põhjustada raske kehavigastuse. Hoidke lõiketera oma ja teiste kehast eemal. Kui te ei lõika, katke see terakaitsega.
- Vibratsioonist põhjustatud kehavigastus
  - Kasutage töötamiseks õiget seadet, kasutage ettenähtud käepidemeid, piirake tööaega ja kokkupuudet vibratsiooniga.
- Müraga kokkupuutumine võib kuulmist kahjustada.
  - Kandke kuulmiskaitsevahendeid ja piirake müraga kokkupuudet.

## RISKI ALANDAMINE

Teadaolevalt võib käsitööriistade kasutamine põhjustada mõnedel inimestel seisundit, mida nimetatakse Raynaud' sündroomiks. Sümptomidena võib ilmneda sõrmede tuimus ja valkjaks muutumine, mis tavaliselt ilmneb külmas töötamisel. Nende sümptomite puhul tuleb hoiduda külmast ja niiskusest, dieedist ning suitsetamisest ja kasutada õigeid töövõtteid. Vibratsiooni mõju vähendamiseks tuleb rakendada järgmisi abinõusid.

- Külma ilmaga hoidke oma keha soe. Kandke kindaid, et hoida oma käed ja randmed soojad.
- Pärast külmas töötamist tehke harjutusi, et verevarustust kiirendada.
- Tehke regulaarselt töövaheaegasid. Piirake tööperioodi pikkust.

Kui ilmnevad haigustunnused, lõpetage kohe töö ja pöörduge arsti poole.

## HOIATUS

Seadme pikaajalisel kasutamisel võite saada kehavigastusi ja varasemad vigastused võivad süveneda. Seadme kasutamisel pika aja jooksul tuleb teha korralisi vaheaegasid.

## KIRJELDUS

Vt leht 128.

### SEADME OSAD

1. Tagumine käepide
2. Päästik
3. Käepideme pöörlemise lukustusnupp
4. Eesmine käepide
5. Operaatori kohaloleku lüliti
6. Kaitse
7. HedgeSweep™ prahieemaldi
8. Saeleht
9. Lõiketera kate
10. Aku paketiaga
11. Aku riivi nupp
12. Laadija

## MASINAL OLEVAD SÜMBOLID



Ohutusala teave



Enne seadme kasutamist lugege palun kasutusjuhend hoolega läbi.



Kandke kuulmiskaitsevahendeid



Kandke silmakaitsevahendeid



Kasutamise ajal hoidke hekitrimmerit alati kahe käega.



Kandke libisemiskindlaid, tugevdatud kaitsekindlaid.



Ärge puudutage lõiketera, et mitte rasket vigastust saada.



Ärge jätke vihma kätte või kasutage niiskes kohas.



Hoiduge ülespaisatud ja lendavate esemete eest. Hoidke kõik kõrvalseisjad, eriti lapsed ja lammikloomad tööalalt vähemalt 15 meetri kaugusele.



Vastab kõigile eeskirjadele EL-i liikmesriigis, kus toode on ostetud.



Euraasia vastavusmärk



Ukraina vastavusmargis



Etiketil näidatud tagatud helivõimsusetase on 94 dB.



Mittekasutatavaid elektrotooteid ei tohi visata olmejäätmete hulka. Vaid tuleb viia vastavasse kogumispunkti. Vajadusel küsige sellekohast nõu oma edasimüüjal või vastavalt kohaliku omavalitsuse institutsioonilt.

## KASUTUSJUHENDI SÜMBOLID



Eraldi ostetavad osad või tarvikud





Märkus



Hoiatus

Järgnevad märguandesõnad ja tähendused on mõeldud selle toote kasutamise seotud riskitasemete kirjeldamiseks.

**⚠ OHT.**

Viitab kohe tekkivale ohtlikule situatsioonile, mis, kui ei väldita, lõpeb surma või tõsise vigastusega.

**⚠ HOIATUS**

Viitab võimalikule ohtlikule situatsioonile, mis, kui ei väldita, võib lõppeda surma või tõsise vigastusega.

**⚠ ETTEVAATUST**

Viitab võimalikule ohtlikule situatsioonile, mis, kui ei väldita, võib lõppeda väiksemate või keskmiste vigastusega.

**ETTEVAATUST**

Ilma hoiatussümbolita

Osutab olukorrale, mis võib põhjustada varakahju.



U razvoju ovog bežičnog trimera za ogradu dati su maksimalni prioriteta sigurnosti, performansama i pouzdanosti.

## NAMJENA

Uređaj je namijenjen samo za korištenje na otvorenom. Iz sigurnosnih razloga proizvod za vrijeme rukovanja uvijek držite pod kontrolom držeći ga s obje ruke.

Ovaj proizvod namijenjen je za kućnu ili upotrebu u domaćinstvu. Namijenjen je za rezanje i obrzivanje ograda, šikara i slične vegetacije.

Treba se koristiti samo u suhim, dobro osvijetljenim uvjetima.

NIJE namijenjen za rezanje trave, drveća ili grana. Ne smije se koristiti za nikakvu drugu svrhu osim za obrazivanje ograde.

## OPĆA SIGURNOSNA UPOZORENJA ZA ELEKTRIČNI ALAT

### ⚠ UPOZORENJE

**Pročitajte sva sigurnosna upozorenja i sve upute.** Nepridržavanje upozorenja i uputa može izazvati strujni udar, požar i/ili ozbiljne ozljede. Sačuvajte ova upozorenja i upute kako biste ih naknadno mogli konzultirati.

Pojam „električni alat“ u upozorenjima odnosi se na vaš glavni alat (napajanje preko kabela) ili električni alat koji se napaja preko baterije (bez kabela).

## RADNA OKOLINA

- **Držite radni prostor čistim i dobro osvijetljenim.** Zatrpami i neosvijetljeni radni prostori izazivaju nezgode.
- **Nemojte rukovati električnim alatima u eksplozivnim atmosferama u kojima su prisutne zapaljive tekućine, plinovi ili prašina.** Električni alati stvaraju iskre koje mogu zapaliti prašinu ili pare.
- **Tijekom rada s električnim alatom držite podalje djecu i promatrače.** Ometanje može dovesti do toga da izgubite kontrolu.

## ELEKTRIČNA SIGURNOST

- **Utikači električnog alata moraju odgovarati utičnici.** Nikada nemojte modificirati utikače ni na koji način. Nemojte koristiti nikakve adapter utikače s uzemljenim električnim alatima. Originalni utikači i odgovarajuće utičnice smanjuju opasnost od strujnog udara.
- **Izbjegavajte kontakt tijela s uzemljenim površinama poput cijevi, radijatora, štednjaka i hladnjaka.** Ako je vaše tijelo uzemljeno, povećava se opasnost od strujnog udara.
- **Nemojte proizvod izlagati kiši ili vlažnim uvjetima.** Ulazak vode u električni alat povećava opasnost od strujnog udara.
- **Nemojte zlorabiti kabel.** Nikada nemojte koristiti kabel za nošenje, povlačenje ili isključivanje električnog alata. Držite kabel podalje od topline,

ulja, oštih rubova ili pokretnih dijelova uređaja. Oštećeni ili zapleteni kabeli povećavaju opasnost od strujnog udara.

- **Kada radite s električnim alatom na otvorenom, koristite produžni kabel prikladan za rad na otvorenom.** Korištenje kabela prikladnog za rad na otvorenom smanjuje opasnost od strujnog udara.
- **Ako se ne može izbjeći rad s električnim alatom u vlažnoj lokaciji koristite FID sklopku (RCD uređaj) za zaštitu napajanja.** Korištenje RCD uređaja smanjuje opasnost od električnog udara.

## OSOBNJA SIGURNOST

- **Budite na oprezu, gledajte to što radite i pri radu s električnim alatom koristite zdrav razum. Nemojte koristiti električni alat kad ste umorni ili pod utjecajem droge, alkohola ili lijekova.** Trenutak nepažnje pri radu s električnim alatima može dovesti do teških osobnih ozljeda.
- **Koristite osobnu zaštitnu opremu. Uvijek nosite zaštitna sredstva za oči.** Zaštitna oprema poput maske za prašinu, zaštitna obuća sa zaštitom od klizanja, kaciga ili zaštitna za uši koja se koristi u odgovarajućim uvjetima smanjuje osobne ozljede.
- **Spriječite slučajno pokretanje. Osigurajte da je prije priključivanja na izvor napajanja i/ili baterije, podizanja ili nošenja alata, sklopka u položaju OFF (isključeno).** Nošenje električnog alata s vašim prstom na sklopki ili uključivanje električnih alata sa sklopkom postavljenom na položaj on (uključeno) dovodi do nezgoda.
- **Prije uključivanja električnog alata uklonite sve klinove za podešavanje i ključeve.** Ključ ili klin ostavljen priključen na rotirajućem dijelu električnog alata može dovesti do osobne ozljede.
- **Ne sežite preko određene granice. Cijelo vrijeme držite pravilno uporište i ravnotežu.** Ovo u neočekivanim situacijama omogućuje bolju kontrolu nad električnim alatom.
- **Pravilno se odjenite. Nemojte nositi široku odjeću ili nakit. Kosu, odjeću i rukavice držite podalje od pokretnih dijelova.** Široka odjeća, nakit ili dugačka kosa mogu biti zahvaćeni u pokretne dijelove alata.
- **Ako su uređaji opremljeni s priključkom aparata za odvajanje i prikupljanje prašine, osigurajte da su oni priključeni i pravilno korišteni.** Korištenje uređaja za sakupljanje prašine smanjuje opasnosti vezane uz prašinu.

## KORIŠTENJE I BRIGA O ELEKTRIČNOM ALATU

- **Nemojte proizvod koristiti iznad njegovih mogućnosti. Za vašu primjenu koristite točan električni alat.** Točan električni alat bolje će i sigurnije uraditi posao u odnosu na što je namijenjen.
- **Nemojte koristiti električni alat ako ga sklopka pravilno ne uključuje i isključuje.** Svaki električni alat koje se ne može kontrolirati pomoću sklopke je opasan i mora se popraviti.
- **Prije nego što izvršite bilo kakva podešavanja, zamijenite dodatni pribor ili pohranite električne alate, odspojite utikač iz izvora napajanja i/ili**





bateriju iz električnog alata. Ovakve preventivne sigurnosne mjere smanjuju opasnost od slučajnog pokretanja električnog alata.

- **Električne alate pohranite u stanju mirovanja izvan dohvata djece i ne dopustite rad s električnim alatom osobama koje nisu upoznate s električnim alatom ili ovim uputama.** Električni alati su opasni u rukama nestručnih korisnika.
- **Održavanje električnih alata.** Provjerite radi pogrešnog poravnanja ili savijanja pokretnih dijelova, puknuća dijelova i drugih uvjeta koji mogu utjecati na rad električnog alata. **Ako je oštećen, električni alat prije korištenja popravite.** Većina nezgoda uzrokovano je od strane električnih alata koji su slabo održavani.
- **Rezne alate držite oštrim i čistim.** Pravilno održavanim reznim alatima s oštrim rubovima za rezanje, manja je vjerojatnost zahvaćanja i lakše se kontroliraju.
- **Koristite električni alat, pribor i dijelove alata itd., u skladu s ovim uputama i uzevši u obzir radne uvjete i rad koji treba izvršiti.** Korištenje električnog alata za radove drugačije od njegove namjene može dovesti do opasne situacije.

#### KORIŠTENJE I BRIGA O AKU ALATU

- **Punite samo s punjačem navedenim od proizvođača.** Punjač koji je prikladan za jednu vrstu baterija može dovesti do opasnosti od požara kada se koristi s drugom baterijom.
- **Koristite AKU alate samo s posebno naznačenim baterijama.** Korištenje bilo kojih drugih baterija dovodi do opasnosti od ozljeda i požara.
- **Kada se baterija ne koristi držite je dalje od drugih metalnih predmeta kao što su spajalice za papir, kovanice, ključevi, čavli, vijci ili drugi mali metalni predmeti koji mogu spojiti jedan pol na drugi.** Kratki spoj polova baterije može izazvati opekotine ili požar.
- **Pod uvjetima loma može doći do izbacivanja tekućine iz baterije, izbjegavajte kontakt. Ako dođe do nehotičnog kontakta, isperite to mjesto s vodom. Ako tekućina dospje u oči, dodatno potražite liječničku pomoć.** Tekućina koja istječe iz baterije može dovesti do iritacije ili opekotina.

#### ODRŽAVANJE

- **Neka vaš električni alat servisira kvalificirana osoba za popravak koristeći samo identične zamjenske dijelove.** Ovo će osigurati da se održi sigurnost električnog alata.

#### SIGURNOSNA UPOZORNOST ZA TRIMER ZA OGRADU

- **Držite sve dijelove tijela dalje od noža rezača.** Nemojte ukloniti odrezani materijal ili držati materijal za rezanje kad se oštrice pomiču. Osigurajte da je uređaj isključen kada čistite zaglavljenu materijal. Trenutak nepažnje pri radu s proizvodom može dovesti do teških osobnih ozljeda.
- **Nosite Trimer za ogradu za ručku sa zaustavljenim nožem rezača.** Kada transportirate ili skladištite

trimer za ogradu uvijek postavite pokrov reznog uređaja. Pravilno rukovanje trimenom za ogradu smanjuje mogućnost ozljeda od noževa rezača.

- **Držite električni alat za izoliranu površinu za hvatanje jer rezač može doći u kontakt sa skrivenim ožičenjem.** Dodirivanje „žive“ žice noževima rezača može izložiti metalne dijelove alata električnoj energiji i može dovesti do strujnog udara na operatera.

#### DODATNA SIGURNOSNA UPOZORNOSTI

- Neke regije imaju pravila koja ograničavaju korištenje proizvoda za neke radove. Provjerite kod lokalnih tijela za savjet. Pročitajte sve upute
- Prije svakog korištenja očistite radno područje. Uklonite sve predmete poput kabela, žarulja, žica ili konopa koji mogu biti odbačeni ili se mogu zaglaviti u nožu rezača.
- Provjerite ogradu za strane predmete, poput žica ograde.
- Postupajte s posebnim oprezom kada proizvodom rukujete u blizini ograda, stupova, zgrada ili drugih nepokretnih objekata.
- Pazite se odbačenih predmeta, držite sve promatrače, djecu i kućne ljubimce dalje od radnog područja.
- Nemojte dopustiti djeci ili nestručnim osobama da koriste ovaj proizvod.
- Nemojte raditi u slabom osvjetljenju. Operateru treba jasan pogled radnog područja kako bi identificirao potencijalne opasnosti.
- Uvijek osigurajte da su sve ručke i štitnici pravilno učvršćeni prilikom korištenja uređaja. Nikada nemojte pokušavati koristiti nepotpuni proizvod ili proizvod s neovlaštenim modifikacijama.
- Osigurajte prije svakog korištenja da svi upravljački elementi i sigurnosni uređaji pravilno funkcioniraju. Ne koristite alat ako sklopka „isključeno“ ne zaustavlja proizvod.
- Prije korištenja provjerite uređaj. Provjerite za olabavljene zatezače. Osigurajte da su svi štitnici i ručke pravilno i čvrsto priključeni. Prije korištenja zamijenite sve oštećene dijelove. Provjerite baterije na curenje.
- Nemojte na nikakav način modificirati ovaj proizvod.
- Kada radite s ovim proizvodom nosite zaštitu za oči i sluh. Ako radite u području gdje postoji opasnost od padajućih predmeta, morate nositi zaštitu za glavu.
- Nosite hlače s dugim nogavicama, čizme i rukavice. Nemojte nositi široku odjeću, kratke hlače, nakit bilo kakve vrste ili hodati bosonogi.
- Osigurajte dugu kosu na način da je iznad razine ramena kako biste spriječili zahvaćanje u pokretne dijelove.
- Korištenje zaštite za sluh smanjuje vašu mogućnost da čujete upozorenja (viku ili alarme). Rukovatelj mora obratiti posebnu pozornost na to što se događa u radnom području.
- Rad u blizini sličnim alatom dovodi do opasnosti povreda sluha i mogućim ulaskom drugih osoba u radno područje.
- Nemojte raditi s ovim proizvodom kada ste umorni ili



pod utjecajem alkohola, droge ili lijekova.

- Zauzmite čvrst stav i ravnotežu. Ne sežite preko određene granice. Naginjanje preko ruba može dovesti do gubitka ravnoteže ili izlaganja vrućim površinama.
- Držite sve dijelove tijela dalje od svih pokretnih dijelova.
- Prije pokretanja uređaja osigurajte da oštrice za rezanje neće doći u kontakt s ničim.
- Prilikom rada s trimerao za ogradu, uvijek ga držite čvrsto s obje ruke za obje ručke i osigurajte da je radni položaj siguran i čvrst. Proizvođač ne preporučuje korištenje stepenica ili ljestvi. Ako je potrebno rezanje na višoj razini, koristite produžetke za alat.
- Noževi su oštri. Kada rukujete sa sklopom noža, nosite zaštitne rukavice velike debljine koje se ne klišu. Ne stavljate ruku ili prste između noževa ili u neku poziciju gdje mogu biti prignječeni ili odrezani. Nikada ne dodirujte oštricu ili servisirajte jedinicu ako baterija nije uklonjena.
- Isključite i uklonite bateriju prije:
  - podešavanje radnog položaja reznog urđaja
  - čišćenje i odblokiranje
  - ostavljanje proizvoda bez nadzora
  - provjere, održavanja ili rada na uređaju
- Nemojte siliti trimerao za ogradu kroz teško žbunje. Ovo može uzrokovati tromost oštrica i usporavanje. Ako oštrice uspire smanjite brzinu hada.
- Nemojte pokušati rezati stabličke ili grane koje su veće debljine od 18 mm (RHT1851R15, RHT1851R20, RHT1851R25, OHT1851R), 22 mm (RHT1855R40, OHT1855R) ili onih koji su očito preveliki da uđu u oštrice za rezanje. Koristite ručnu pilu ili pilu za sječenja za trmanje velikih stablički.
- Nemojte raditi s uređajem s oštećenim ili istrošenim reznim uređajem.

#### ⚠ UPOZORENJE

Ako je proizvod ispio, pretrpio težak udar ili abnormalno vibrira, odmah zaustavite proizvod i provjerite na oštećenje ili identificirajte uzrok vibracija. Svaki oštećeni dio trebao bi pravilno popraviti ili zamijeniti ovlašteni servisni centar.

#### PRIJEVOZ I SKLADIŠTENJE

- Zaustavite uređaj, uklonite bateriju i omogućite da se ohladi prije spremanja ili transporta.
- Očistite svaki strani materijal s uređaja. Skladištite ga na suhom i dobro ventiliranom mjestu koje nije pristupačno djeci. Za dodatnu sigurnost, spremite bateriju odvojeno od trimera za ogradu. Nemojte ju ostavljati u blizini korozivnih agenasa kao ni vrtnih kemijskih proizvoda i soli za odmrzavanje. Ne ostavljajte na otvorenom.
- Prije pohranjivanja jedinice ili tijekom transporta pokrijte oštricu sa štitnikom za oštricu.
- Za prijevoz, osigurajte uređaj protiv pomicanja ili pada kako biste spriječili povrede osoba ili oštećenja na uređaju.

#### TRANSPORTIRANJE LITIJUMSKIH BATERIJA

Transportirajte bateriju u skladu s lokalnim i nacionalnim pravima i zakonima.

Slijedite sve specijalne zahtjeve na pakiranju i naljepnicama prilikom transporta baterije od treće strane. Osigurajte da baterija ne može doći u kontakt s drugim baterijama ili provodnim materijalima tijekom transporta tako da zaštitite izložene priključke s izolacijom, kapticama koje ne provode energiju ili trakom. Nemojte transportirati baterije koje su polomljene ili cure. Provjerite kod kompanije koji transportirate za daljnju pomoć.

#### ODRŽAVANJE

##### ⚠ UPOZORENJE

Koristite samo originalne zamjenske dijelove, dodatni pribor i priključke od proizvođača. Nepoštivanje ovih uputa može dovesti do mogućih ozljeda, loše učinkovitosti i može dovesti do poništenja jamstva.

##### ⚠ UPOZORENJE

Servisiranje iziskuje krajnju pažnju i znanje i treba da ga vrši samo kvalificirani serviser. Za servisiranje mi vam preporučamo da odnesete proizvod u najbliži ovlašteni servisni centar radi opravke. Prilikom servisiranja koristiti identične zamjenske dijelove.

##### ⚠ UPOZORENJE

Noževi su oštri. Za sprječavanje osobnih ozljeda, budite osobito pažljivi kada čistite, podmazujete i postavljate ili uklanjate štitnik oštrice.

- Prije podešavanja, održavanja ili čišćenja uklonite bateriju.
- Možete izvršiti podešavanja i popravke koji su opisani u ovom priručniku. Za druge popravke, obratite se ovlaštenom servisnom agentu.
- Nakon svakog korištenja, očistite kućište sa suhom mekom krpom.
- Nakon svakog korištenja, očistite ostatke s oštrica sa čvrstom četkom i potom pažljivo primijenite sredstvo protiv hrđe prije ponovnog postavljanja štitnika oštrice. Proizvođač preporučuje da koristite sprej protiv hrđe i sredstvo za podmazivanje ravnomjerno i smanjite opasnost od osobnih ozljeda od kontakata s oštricama. Za informacije o prikladnim proizvodima kao sprej, provjerite kod lokalnog ovlaštenog servisnog centra.
- Možda budete željeli podmazati oštrice prije korištenja, po potrebi, korištenjem gornjeg načina.
- Često provjeravajte sve matice i zavrtnje da li su dobro pritegnuti kako biste bili sigurni da je proizvod u sigurnom radnom stanju. Svaki oštećeni dio trebao bi pravilno popraviti ili zamijeniti ovlašteni servisni centar.

## OSTALE OPASNOSTI:

Čak i kad je proizvod korišten kao što je prethodno opisano, još uvijek nije moguće potpuno isključiti ostale čimbenike opasnosti. Može doći do sljedećih opasnosti prilikom korištenja i operater mora obratiti posebnu pozornost kako bi izbjegao sljedeće:

- Ozljede od kontakta s pločom za rezanje
  - Kontakt s oštricama može uzrokovati ozbiljne ozljede. Držite oštrice dalje od sebe i drugih. Pokrijte ih sa štitnikom za oštrice kad got ne režete.
- Ozljede uzrokovane vibracijom.
  - Uvijek koristite pravi alat za posao, koristite označenu kopču i ograničite radno vrijeme i izloženost.
- Oštećenje sluha uzrokovano izlaganjem buci.
  - Nosite zaštitu za sluh i ograničite izloženost.

## SMANJENJE OPASNOSTI

Prijavljeno je da vibracije alata koje se drži u ruci kod određenih pojedinaca mogu doprinijeti stanju pod nazivom Raynaud's Syndrome. Simptomi mogu uključivati trnce, ukočenost i bjelinu prstiju, obično uočljivo po izlaganju hladnoći. Smatra se da nasljedne osobine, izlaganje hladnoći i vlazi, dijeta, pušenje i radni postupci pridonose razvoju ovih simptoma. Postoje mjere koje operater može poduzeti kako bi smanjio moguće učinke vibracije:

- Održavajte svoje tijelo toplim u hladnim vremenskim uvjetima. Kad radite s proizvodom nosite rukavice kako biste ruke i zglobove održavali toplima.
- Nakon svakog perioda rada vježbajte kako biste povećali cirkulaciju krvi.
- Uzimajte česte stanke u radu. Ograničite količinu izlaganja po danu.

Ako osjetite neke od simptoma ovog stanja, odmah prekinite korištenje i obratite se svome liječniku vezano uz ove simptome.

## ⚠ UPOZORENJE

Povrede mogu biti uzrokovane ili zadobivene produljenim korištenjem alata. Kada koristite bilo koji alat dulje vremena, osigurajte da uzimate povremene stanke.


## OPIS

Pogledajte stranicu 128.

## DIJELOVI

1. Stražnja ručica
2. Sklopka za pokretanje
3. Gumb za blokiranje okretanja ručke
4. Prednja ručka
5. Sklopka prisutnosti rukovatelja
6. Štitnik
7. HedgeSweep™ čistač otpadaka
8. Oštrica
9. Poklopac oštrice
10. Baterija
11. Gumb za zasun baterije
12. Punjač

## SIMBOLI NA PROIZVODU

-  Sigurnosno upozorenje
-  Molimo da pažljivo pročitate upute prije pokretanja stroja.
-  Nosite zaštitu za sluh
-  Nosite sredstva za zaštitu očiju
-  Uvijek držite trimer za ogradu s obje ruke prilikom rada.
-  Nosite zaštitne rukavice velike debljine koje se ne klizu.
-  Za spreječavanje ozbiljnih ozljeda, ne dodirujte oštrice za rezanje.
-  Ne izlažite kiši ili vlažnim uvjetima.
-  Čuvajte se odbačenih ili letećih predmeta. Držite sve promatrače naročito djecu i kućne ljubimce, na udaljenosti najmanje 15 m od radnog područja.
-  Ovaj alat usklađen je sa svim normama i propisima zemlje Europske unije u kojoj je kupljen.
-  EurAsian znak konformnosti
-  Ukrajinska oznaka za sukladnost
-  Deklarirani zvučni tlak prikazan na ovoj naljepnici iznosi 94 dB.
-  Otpadni električni proizvodi ne treba da se odlažu s otpadom iz domaćinstva. Molimo da recikirate gdje je to moguće. Potražite savjet od lokalnih vlasti ili prodavca kako reciklirati.

## SIMBOLI U OVOM PRIRUČNIKU

-  Dijelovi ili pribor prodan odvojeno



Napomena



Upozorenje

Slijedeće riječi upozorenja i značenja imaju namjeru da objasne nivo rizika u vezi s ovim proizvodom.

**⚠ OPASNOST**

Ukazuje na neposrednu opasnu situaciju, koja, ukoliko se ne izbjegne, može rezultirati smrću ili opasnim povredama

**⚠ UPOZORENJE**

Ukazuje na moguću opasnu situaciju, koja, ukoliko se ne izbjegne, može rezultirati smrću ili opasnim povredama

**⚠ UPOZORENJE**

Ukazuje na moguću opasnu situaciju, koja, ukoliko se ne izbjegne, može rezultirati manjim ili blažim povredama

**UPOZORENJE**

Bez sigurnosnog simbola upozorenja

Naznačuje situaciju koja može rezultirati oštećenjem imovine.



Varnost, učinkovitost in zanesljivost so bile pri načrtovanju vaših brezžičnih škarij za obrezovanje žive meje ključnega pomena.

### NAMEN UPORABE

Izdelek je namenjen izključno zunanji uporabi. Zaradi varnosti je zahtevano dvoročno krmiljenje naprave.

Izdelek je namenjen za domačo uporabo. Izdelek je namenjen obrezovanju žive meje, grmičevja in podobnega rastlinja.

Uporabljati ga je treba v suhih razmerah z dobro svetlobo.

NI namenjen košenju trave, obrezovanju drevja ali vej. Ne smete ga uporabljati za druge namen kot pa za obrezovanje žive meje.

### SPLOŠNA VARNOSTNA OPOZORILA ZA ELEKTRIČNA ORODJA

#### ⚠ OPOZORILO

**Preberite vsa varnostna opozorila in navodila.** Zaradi neupoštevanja opozoril in navodil lahko pride do električnega udara, požara in/ali resnih poškodb. Shranite vsa opozorila in navodila za kasnejšo uporabo.

Izraz »električno orodje« v opozorilih se nanaša na orodja, ki jih poganja električni tok (žična), ali na akumulatorska (brezžična) orodja.

### DELOVNO OBMOČJE

- **Delovno območje naj bo čisto in dobro osvetljeno.** V neurejenih in temnih območjih se rade zgodijo nesreče.
- **Električnih orodij ne uporabljajte v eksplozivnih okoljih npr. v bližini vnetljivih tekočin, plinov ali prahu.** Električna orodja proizvajajo iskre, ki lahko vnamejo prah ali hlape.
- **Med uporabo električnega orodja v bližino ne pustite otrok in drugih ljudi.** Zaradi zmanjšane koncentracije lahko izgubite nadzor.

### ELEKTRIČNA VARNOST

- **Vtiči električnih orodij se morajo prilegati vtičnicam.** Vtiča nikoli in na noben način ne smete spreminjati. Z ozemljenimi električnimi orodji ne uporabljajte adapterjev vtiča. Nespremenjeni vtiči in ustrezne vtičnice zmanjšajo tveganje električnega udara.
- **Izogibajte se telesnemu stiku z ozemljenimi površinami, kot so cevi, radiatorji, kuhalniki in hladilniki.** Če je vaše telo ozemljeno, obstaja povečano tveganje električnega udara.
- **Izdelka ne izpostavljajte dežju ali vlagi.** Voda v električnem orodju znatno poveča tveganje električnega udara.
- **Kabla ne uporabljajte za neustrezne namene.** Kabla nikoli ne uporabljajte za prenašanje, vleko ali izklop električnega orodja. Pazite, da kabel ne pride v stik z vročino, oljem, ostrimi robovi ali gibljivimi deli. Poškodovani ali zapleteni kabli zvišujejo tveganje električnega udara.
- **Med uporabo električnega orodja na prostem**

**uporabljajte podaljševalni kabel, ki je primeren za zunanjo uporabo.** Uporaba kabla, primernega za zunanjo uporabo, znižuje tveganje električnega udara.

- **Če je delo z električnim orodjem v vlažnem okolju neizogibno, uporabite tokovno zaščitno stikalo (RCD).** Uporaba naprave RCD zmanjša tveganje za električni udar.

### OSEBNA VARNOST

- **Med obratovanjem bodite pozorni, spremljajte potek dela in uporabljajte zdrav razum.** Električnega orodja ne uporabljajte, ko ste utrujeni oz. pod vplivom drog, alkohola ali zdravil. Trenutek nepazljivosti med uporabo električnega orodja lahko povzroči hude telesne poškodbe.
- **Uporabljajte osebno zaščitno opremo. Vedno nosite zaščito za oči.** Če v različnih okoliščinah nosite ustrezno zaščitno opremo, kot so maska proti prahu, obutev z nestrsečim podplatom, trdno pokrivalo glave in zaščita za sluh, zmanjšate možnost telesnih poškodb.
- **Preprečite neželen zagon. Preden orodje priključite na vir napajanja, vstavite baterije, ga vzamete v roke ali prenašate, se prepričajte, da je stikalo v izključenem položaju.** Prenašanje električnih orodij, tako da prst drži na stikalo, ali dovajanje napajanja električnim orodjem, pri katerih je stikalo v položaju »on (vklop)« poveča tveganje nesreč.
- **Pred vklopom električnega orodja odstranite morebitne nastavitvene ključe ali izvijače.** Izvijač ali ključ, ki ostane pritrjen na vrtljivi del električnega orodja, lahko povzroči telesne poškodbe.
- **Nesiahajte priliš daleko. Pazite, da stojite stabilno in da imate ravnotežje.** To omogoča boljši nadzor nad električnim orodjem v nepričakovanih situacijah.
- **Bodite primerno oblečeni. Ne nosite ohlapnih oblačil ali nakita. Pazite, da lasje, oblačila in rokavice ne pridejo v bližino gibljivih delov.** Ohlapna oblačila, nakit ali dolgi lasje se lahko zapletejo v gibljive dele.
- **Če so naprave namenjene priključitvi na pripomočke za sesanje in zbiranje prahu, se prepričajte, da so ti priključeni in ustrezno uporabljeni.** Uporaba zbiralca prahu lahko zmanjša nevarnosti, povezane s prahom.

### UPORABA IN NEGA ELEKTRIČNEGA ORODJA

- **Izdelka ne preobremenjujte.** Uporabite električno orodje, ki ustreza vašemu delu. Ustrezno električno orodje bo nalogo opravilo bolje in varneje v kategoriji, za katero je bilo zasnovano.
- **Ne uporabljajte električnega orodja, če ga stikalo ne vklopi ali izklopi, kot bi bilo treba.** Kakršno koli električno orodje, ki ga ni mogoče nadzirati s stikalom, je nevarno in ga je potrebno popraviti.
- **Odklopite vtič z vira napajanja in/ali baterije, preden opravljate kakršne koli prilagoditve, menjate dodatke ali shranjujete električno orodje.** Tovrstni preventivni varnostni ukrepi zmanjšajo možnost slučajnega zagona električnega orodja.
- **Električna orodja, ki niso v uporabi, shranjujte izven dosega otrok in ne dovolite, da bi električno orodje uporabljale osebe, ki niso seznanjene z električnim**





orodjem ali s temi navodili. Električna orodja so v rokah neusposobljenih uporabnikov nevarna.

- **Električna orodja redno vzdržujte.** Preverite, če so gibljivi deli napačno poravnani ali zaskočeni, če so sestavni deli polomljeni ali če obstaja kakršno koli druge stanje, ki lahko vpliva na varno delovanje električnega orodja. Če je električno orodje poškodovano, ga pred ponovno uporabo dajte v popravilo. Številne nesreče zakrivijo neustrezno vzdrževana električna orodja.
- **Rezalna orodja naj bodo vedno nabrušena in čista.** Pravilno vzdrževana rezalna orodja z ostrimi rezili se težje zaskočijo in jih je lažje nadzirati.
- **Električno orodje, dodatke, nastavke za orodje itd. uporabljajte v skladu s temi navodili ter upoštevajte delovne pogoje in vrsto dela, ki ga boste izvajali.** Uporaba električnega orodja za namene, ki so drugačni od tistih, za katere je bilo orodje zasnovano, lahko povzroči nevarne situacije.

#### UPORABA IN VZDRŽEVANJE BATERIJSKEGA ORODJA

- **Baterijo polnite le s polnilnikom, ki ga določa proizvajalec.** Polnilnik, ki ustreza eni vrsti baterij, morda lahko povzroči požar, če z njim polnite drugo vrsto baterij.
- **Baterijska orodja uporabljajte samo s predpisano vrsto baterij.** Uporaba katerih koli drugih baterij ustvari tveganje poškodb in požara.
- **Ko baterije ne uporabljajte, pazite, da bo odmaknjena od kovinskih predmetov, kot so papirne sponke, kovanci, ključi, žebliji, vijaki ali drugih majhni kovinski predmeti, ki bi lahko povzročili povezavo med obema terminaloma.** Kratak stik zaradi povezanih terminalov baterije lahko povzroči opekline ali požar.
- **Ob zlorabi baterije lahko iz nje steče tekočina. Če se po nesreči dotaknete tekočine, mesto dotika sperite z vodo. Če pride tekočina v stik z očmi, poiščite zdravstveno pomoč.** Tekočina, ki izteče iz baterije, lahko povzroči vnetje ali opekline.

#### SERVISIRANJE

- **Električno orodje naj servisira usposobljena oseba, uporabljati pa sme le originalne nadomestne dele.** To bo zagotovilo vzdrževanje varnostni električnega orodja.

#### OBREZOVALNIK ŽIVE MEJE – VARNOSTNA OPOZORILA

- **Delov telesa nikoli ne izpostavljajte rezilom.** Ne odstranjujte zagozdenega materiala medtem, ko se rezilo premika. Prepričajte se, da je naprava izklopljena, ko odstranjujete zagozden material. Trenutek nepazljivosti med uporabo izdelka lahko privede do resnih telesnih poškodb.
- **Obrezovalnik žive meje prenašajte tako, da ga držite za ročaj, rezilo pa naj bo pri tem ustavljeno.** Med transportom ali skladiščenjem obrezovalnika žive meje vedno namestite pokrov naprave. Ustrezno

ravnanje z obrezovalnikom žive meje zmanjša tveganje poškodb zaradi rezil.

- **Električno orodje držite le za izolirane držalne površine, saj lahko rezilo pride v stik s skrito žico.** Če se rezila dotaknejo žive, ki je pod električno napetostjo, lahko izpostavljeni kovinski deli električnega orodja postanejo »živi« in povzročijo električni udar.

#### DODATNA VARNOSTNA OPOZORILA

- V nekaterih regijah predpisi omejujejo uporabo izdelka na določene namene. Za navset se obrnite na lokalne oblasti. Preberite vsa navodila
- Pred vsako uporabo temeljito očistite območje obratovanja. Odstranite vse predmete, ki se lahko vključijo ali zapletejo v rezilo, kot npr. kabli, svetilke, žica ali vrvice.
- Živo mejo preverite za morebitne tujke, npr. žične ograje.
- Pri uporabi izdelka v bližini ograje, stebrov, stavb ali drugih nepremičnih predmetov bodite posebej pozorni.
- Bodite pozorni na izvržene predmete. Vsi prisotni, otroci in živali naj bodo vsaj 15 m stran od delovnega območja.
- Otrokom in neusposobljenim osebam ne dovolite, da bi uporabljali ta izdelek.
- S cepilnikom ne upravljajte pri slabi osvetljavi. Upravljaavec mora imeti jasen pregled nad delovnim območjem, da lahko prepozna morebitne nevarnosti.
- Med uporabo naj bodo ročaji in varovala vedno nameščeni. Nikdy sa nepokúšajte používať nekompletný výrobok alebo výrobok s nepovolenými úpravami.
- Pred vsako uporabo zagotovite, da vse kontrole in varnostne naprave delujejo pravilno. Orodja ne uporabljajte, če stikalo za izklop ne ustavi izdelka.
- Prev vsako uporabo preglejte stroj. Preverite, ali so pritrdila dobro pritrdjena. Prepričajte se, da so vsa varovala in ročaji pravilno in trdno pritrdjeni. Pred uporabo zamenjajte poškodovane dele. Preverite, ali baterija pušča.
- Výrobok žiadnym spôsobom neupravujte.
- Pri uporabi izdelka vedno nosite popolno zaščito za oči in sluh. Pri delu na območju, kjer obstaja tveganje za padajoče predmete, morate nositi zaščito za glavo.
- Nosite trdne, dolge hlače, škornje in rokavice. Ne nosite ohlapnih oblačil, kratkih hlač, nobenega nakita in ne uporabljajte bosí.
- Dolge lase si spnite nad rameni in tako preprečite njihovo ujetje v premikajoče se dele.
- Zaščita za sluh zmanjša vašo sposobnost, da slišite opozorila (alarme ali klice). Upravljaavec mora še bolj paziti na dogajanje v okolici.
- Uporaba podobnih orodij v bližini poveča nevarnost za poškodbe sluha in nevarnost, da druge osebe vstopijo v vaše delovno območje.
- Izdelka ne uporabljajte, če ste utrujeni, bolni ali pod vplivom alkohola, drog ali zdravil.
- Pazite na ravnotežje in ne pretiravajte. Nesiahajte priliš daleko. Če segate preko dosega, lahko izgubite





ravnotežje, večje pa je tudi tveganje, da se opečete.

- Dele telesa držite proč od premikajočih se delov.
- Preden stroj zaženete, se prepričajte, da se rezila ne dotikajo ničesar.
- Med uporabo obrezovalnik žive meje vedno trdno držite z obema rokama za oba ročaja, pri tem pa poskrbite, da je delovni položaj varen in zavarovan. Proizvajalec priporoča, da ne uporabljate stopnic ali lestev. Če morate obrezovati na višini, uporabite podaljševalno orodje.
- Rezila so ostra. Pri sestavljanju rezil si nadenite nedrseče zaščitne rokavice za groba dela. Dlani ali prstov ne polagajte med rezila ali na katera koli mesta, kjer bi jih lahko preščipnili ali porezali. Rezila ali pogonske enote se nikoli ne dotikajte, razen če je baterija odstranjena.
- Baterijo izklopite in odstranite, preden:
  - nastavljanje delovnega položaja rezilne naprave
  - čiščenje ali ko odstranjujete blokado
  - pustiti izdelek brez nadzora
  - pregledovanjem, vzdrževanjem ali delu na izdelku
- Obrezovalnika ne potiskajte na silo skozi gosto grmičevje. S tem se rezila lahko upočasnijo. Če se rezila upočasnijo, upočasnite tempo.
- Ne režite debel ali vej, ki so debelejšje od 18 mm (RHT1851R15, RHT1851R20, RHT1851R25, OHT1851R), 22 mm (RHT1855R40, OHT1855R) ali takih, ki so očitno prevelike, da bi ustrezale velikosti rezila. Velika stebela odrežite z neelektrično ročno žago.
- Naprave ne uporabljajte, če ima poškodovano ali zelo obrabljeno rezilo.

#### **⚠ OPOZORILO**

Če izdelek pade, močno trči ali začne nenormalno vibrirati, ga nemudoma zaustavite in preverite, ali je poškodovan oziroma poiščite vzrok vibriranja. Vsakršno poškodbo mora ustrezno popraviti ali zamenjati pooblaščen servisni center.

#### **TRANSPORT IN SHRANJEVANJE**

- Ustavite napravo, odstranite baterijo in počakajte, da se ohladita, preden ju shranite ali transportirate.
- Očistite vse tujke z izdelka. Shranite jo na suhem in dobro prezračujem mestu, ki ni na dosegu otrok. Za dodatno varnost akumulator hranite ločeno od škarij za obrezovanje žive meje. Hranite proč od jedkih sredstev, kot so kemikalije za vrtnarjenje in soli za odmrzovanje. Ne shranjujte na prostem.
- Pred shranjevanjem ali med transportom vedno zavarujte rezilo z zaščito rezila.
- Za transport zavarujte izdelek pred premiki ali padci, da preprečite poškodbe oseb ali izdelka.

#### **PRENAŠANJE LITIJEVH BATERIJ**

Baterije prevažajte v skladu z lokalnimi in državnimi uredbami in predpisi.

Upošteвайте vse posebne zahteve glede pakiranja

in označevanja, kadar prevoz opravlja tretja oseba. Zagotovite, da baterije med prevozom ne morejo priti v stik z drugimi baterijami ali prevodnimi materiali tako, da zaščitite izpostavljene konektorje z izolacijo, neprevodnimi pokrovciki ali trakom. Ne prevažajte poškodovanih baterij oz. baterij, ki puščajo. Za nadaljnje informacije se obrnite na posredovalno podjetje.

#### **VZDRŽEVANJE**

##### **⚠ OPOZORILO**

Uporabljajte le originalne rezervne dele in dodatke, ki jih priporoča proizvajalec. V nasprotnem primeru naprava lahko slabo deluje, povzroči poškodbe, garancija pa ne velja več.

##### **⚠ OPOZORILO**

Servisiranje zahteva posebno pozornost in znanje in naj jo zato opravlja samo izurjeni servisni tehnik. Servisiranje in popravila izdelka vam priporočamo pri vašem najbližjem pooblaščenem servisnem centru. Pri servisiranju uporabljajte le identične nadomestne dele.

##### **⚠ OPOZORILO**

Rezila so ostra. Da preprečite poškodbe oseb, bodite pri čiščenju, mazanju in nameščanju ter odstranjevanju zaščitite rezila izredno previdni.

- Pred prilagajanjem, vzdrževanjem ali čiščenjem odstranite baterijo.
- Opravljati smete le nastavitve in popravila, ki so opisana v teh navodilih za uporabo. Za ostala popravila se obrnite na pooblaščenega serviserja.
- Po vsaki uporabi z mehko suho krpo očistite trup in ročaje izdelka.
- Po vsaki uporabi s trdo krtačo z rezila odstranite ostanke, nato pa previdno nanesite mazivo proti rji, preden znova namestite zaščito rezila. Proizvajalec priporoča uporabo zaščitnega sredstva pred rjo ter spreja, ki ju enakomerno nanesete, ter s tem zmanjšate tveganje za poškodbe oseb zaradi stika z rezilom. Za informacije o ustreznem spreju se obrnite na lokalni pooblaščen servisni center.
- Pred uporabo lahko rezila po potrebi rahlo namažete, pri tem pa upoštevajte zgornjo metodo.
- Pogosto preverjajte, ali so vse matice in vijaki dobro priti in tako zagotovite varno delovno stanje izdelka. Vsak poškodovani del mora ustrezno popraviti ali zamenjati pooblaščen servisni center.

#### **REZIDUALNA TVEGANJA:**

Tudi če izdelek uporabljate tako, kot je predpisano, še vedno ne moremo izključiti določenih preostalih dejavnikov tveganja. Med uporabo se lahko pojavijo naslednje nevarnosti, upravljavec pa naj bo pozoren na sledeče:

- Poškodbe zaradi stika z rezili

- Stik z rezili lahko povzroči hude poškodbe. Rezilo držite proč od vas in ostalih. Kadar ne obrezujete, jih zavarujte s pokrivalom za rezila.
- Poškodbe zaradi vibracij.
  - Vedno uporabljajte pravo orodje za opravilo, uporabite ustrezne ročaje in omejite delovni čas in izpostavljenost.
- Poškodbe sluha zaradi izpostavljenosti hrupu
  - Nosite zaščito za sluh in omejite izpostavljenost.

## ZMANJŠANJE TVEGANJA

Ugotovljeno je bilo, da lahko pri nekaterih posameznikih vibracije ročnih orodij povzročijo Raynaudov sindrom. Simptomi so lahko mravljinca, otrplost in pobledele prsti, kar je običajno vidno, kadar je oseba izpostavljena mrazu. Dedni dejavniki, izpostavljenost mrazu in vlagi, dieta, kajenje in delovne navade naj bi pripomogle k razvoju teh simptomov. Za zmanjšanje učinkov vibracij lahko upravljavec upošteva naslednja navodila:

- Poskrbite, da bo vaše telo na mrazu toplo. Med upravljanjem nosite rokavice in tako ohranjajte toploto vaših dlani in zapestij.
- Po vsakem obdobju upravljanja naprave telovadite in tako pospešite krvni obtok.
- Pogosto si vzemite odmor. Omejite dnevno količino izpostavljenosti.

Če zaznavate kakršne koli simptome takšnega stanja, takoj prenehajte z uporabo naprave in se o simptomih posvetujte z zdravnikom.

## ⚠ OPOZORILO

Daljša uporaba orodja lahko privede do poškodb ali pa so poškodbe lahko hujše. Kadar orodje uporabljate dalj časa, si večkrat vzemite odmor.

## OPIS

Glejte stran 128

## DELI

1. Zadnji ročaj
2. Sprožilec
3. Gumb za zaklep vrtenja ročice
4. Sprednji ročaj
5. Stikalo za prisotnost upravljavca
6. Ščitnik
7. Čistilnik smeti HedgeSweep™
8. Rezilo
9. Pokrov rezila
10. Akumulator
11. Gumb zapaha za baterijo
12. Polnilec

## SIMBOLI NA IZDELKU



Varnostni alarm



Prosimo, da si pred zagonom naprave pazorno preberete navodila.



Nosite zaščito za ušesa



Nosite zaščito za oči



Obrezovalnik med delom vedno držite z obema rokama.



Nosite si nedrseče, močne delovne zaščitne rokavice.



Da bi preprečili resne poškodbe, se ne dotikajte rezil.



Ne izpostavljajte ga dežju ali vlagi.



Pazite na izvržene ali leteče predmete. Prisotni (še posebej otroci in živali) naj bodo med obratovanjem oddaljeni vsaj 15 m od delovnega območja.



Ustreza vsem predpisanim standardom v državi članici EU, kjer je bil kupljen izdelek.



EurAsian oznaka o skladnosti



Ukrajinska oznaka za skladnost



Zajamčena raven zvočne moči na tej oznaki je 94 dB.



Odpadne električne izdelke odlagajte skupaj z ostalimi gospodinjstvi odpadki. Reciklažo opravljajte na predpisanih mestih. Za reciklažni nasvet se obrnite na lokalne oblasti.

## SIMBOLI V TEM PRIROČNIKU



Deli ali dodatki so na prodaj ločeno



Opomba



Opozorilo

Sledeče signalne besede in pomeni naj bi pojasnili ravni tveganja, ki so povezane s tem izdelkom.

**⚠ NEVARNOST**

Označuje neizbežno tvegano stanje, ki če se ji ne izognete lahko povzroči smrt ali resno poškodbo.

**⚠ OPOZORILO**

Označuje morebitno tvegano stanje, ki če se ji ne izognete lahko povzroči smrt ali resno poškodbo.

**⚠ POZOR**

Označuje morebitno tvegano stanje, ki če se mu ne izognete lahko povzroči manjšo ali srednje resno poškodbo.

**POZOR**

Brez simbola za varnostno opozorilo

Prikazuje situacijo, ki lahko povzroči materialno škodo.

EN  
FR  
DE  
ES  
IT  
NL  
PT  
DA  
SV  
FI  
NO  
RU  
PL  
CS  
HU  
RO  
LV  
LT  
ET  
HR  
SL  
SK  
BG  
UK  
TR



Na dosiahnutie jednoduchej obsluhy a prevádzky boli pri navrhovaní tohto akumulátorového strihača živého plotu najvyššou prioritou bezpečnosť, výkon a spoľahlivosť.

## ÚČEL POUŽITIA

Tento produkt je určený len pre použitie v exteriéri. Z bezpečnostných dôvodov musí byť krovinores náležite ovládaný pomocou oboch rúk.

Tento produkt je určený na domáce použitie. Je určené na rezanie a orezávanie živých plotov, raždia a podobnej vegetácie.

Musí sa používať v suchom a dobre osvetlenom prostredí. NIE je určené na strihanie trávy, stromov či konárov. Nesmie sa používať na žiadne iné účely okrem strihania živých plotov.

## VŠEOBECNÉ BEZPEČNOSTNÉ VÝSTRAHY PRE MECHANICKÉ NÁSTROJE

### VAROVANIE

**Prečítajte si všetky bezpečnostné výstrahy a pokyny.** Pri nedodržaní týchto výstrah a pokynov môže dôjsť k úrazu elektrickým prúdom, požiaru a/alebo závažnému poraneniu. Odložte všetky upozornenia a pokyny použité v budúcnosti.

Pojem „mechanický nástroj“ vo výstrahách sa vzťahuje na váš sieťový (káblový) mechanický nástroj alebo akumulátorový (bezkáblový) mechanický nástroj.

## PRACOVNÝ PRIESTOR

- **Pracovisko udržiavajte v čistote a správne osvetlené.** Prepchané alebo tmavé miesta zvyšujú pravdepodobnosť nehôd.
- **Nepracujte s mechanickými nástrojmi vo výbušných atmosférach, napríklad v blízkosti zápalných tekutín, plynov alebo prachu.** Mechanické nástroje vytvárajú iskry, ktoré môžu podpáliť takýto prach alebo výpary.
- **Deti a okolostojaci sa počas práce s mechanickým nástrojom nesmú zdržovať v jeho blízkosti.** Rozptýlenie môže spôsobiť, že stratíte nad nástrojom kontrolu.

## ELEKTRICKÁ BEZPEČNOSŤ

- **Zástrčky mechanického nástroja musia zodpovedať zásuvke.** Zástrčku nikdy žiadnym spôsobom neupravujte. S uzemnenými mechanickými nástrojmi nepoužívajte rozdvojnú zásuvku. Použitím neupravovaných zástrčiek a zodpovedajúcich zásuviek sa znižuje riziko úrazu elektrickým prúdom.
- **Vyhýbajte sa telesnému kontaktu s uzemnenými povrchmi, napríklad rúrami, radiátormi, sporákmi a chladničkami.** Ak je vaše telo uzemnené, hrozí vysoké riziko úrazu elektrickým prúdom.
- **Nevystavujte produkt dažďu ani mokrému prostrediu.** Voda, ktorá vnikne do mechanického nástroja, zvyšuje riziko úrazu elektrickým prúdom.
- **Kábel nenamáhajte. Nikdy nepoužívajte kábel na**

**prenášanie, ťahanie alebo odpájanie mechanického nástroja. Kábel nedávajte do blízkosti tepla, oleja, ostrých okrajov alebo pohyblivých dielov.** Poškodené alebo zamotané káble zvyšujú riziko úrazu elektrickým prúdom.

- **Pri práci s mechanickým nástrojom v exteriéri používajte predlžovací kábel vhodný pre použitie v exteriéri.** S káblom vhodným pre použitie v exteriéri sa znižuje riziko úrazu elektrickým prúdom.
- **Ak je nevyhnutné pracovať s mechanickým nástrojom vo vlhkom prostredí, použite zdroj chránený zariadením pre zvyškový prúd.** Použitie zariadenia pre zvyškový prúd znižuje riziko úrazu elektrickým prúdom.

## OSOBNÁ BEZPEČNOSŤ

- **Pri práci s mechanickým nástrojom buďte ostražití, sledujte, čo robíte a používajte zdravý rozum.** Nepoužívajte mechanický nástroj, keď ste unavení alebo pod vplyvom drog, alkoholu alebo liekov. Chvilka nepozornosti počas práce s mechanickými nástrojmi môže spôsobiť závažné osobné poranenie.
- **Používajte osobné ochranné pomôcky.** Vždy používajte chrániče zraku. Ochranné pomôcky ako protiprachová maska, protišmyková bezpečnostná obuv, pevný klobok alebo chrániče sluchu, používané pre príslušné podmienky, znižujú riziko vzniku osobného poranenia.
- **Zabráňte neúmyselnému spusteniu.** Pred zapojením zariadenia do siete a/alebo k jednotke akumulátora, zdvíhaním alebo prenášaním nástroja vždy skontrolujte, či je spínač vo vypnutej polohe. Pri prenášaní mechanických nástrojov s prstom položeným na spínači alebo pripájaní mechanických nástrojov so zapnutým spínačom sa zvyšuje riziko úrazu.
- **Pred zapnutím nástroja odstráňte prípadný nastavovací klin alebo kľúč.** Keď necháte kľúč alebo klin nasadený na rotujúci diel mechanického nástroja, môže dôjsť k vážnemu poraneniu osôb.
- **Neprečeňujte sa.** Neustále zachovávajte pevnú oporu nôh a rovnováhu. Tak si zaistíte lepšiu kontrolu nad mechanickým nástrojom v nečakaných situáciách.
- **Primerane sa oblečte.** Nenoste voľný odev ani šperky. Vlasy, odev a rukavice nepribližujte k pohybujúcim sa dielom. Voľný odev, šperky či dlhé vlasy sa môžu zachytiť do pohyblivých častí.
- **Ak sú zariadenia vybavené pripojením na prostriedky na odsávanie a zber prachu, zaistite, aby boli správne pripojené a primerane sa používali.** Pri použití týchto prostriedkov sa znižujú riziká pochádzajúce z prachu.

## POUŽÍVANIE ELEKTRICKÉHO NÁSTROJA A STAROSTLIVOSŤ OŇ

- **Na nástroj nevyvíjajte silu.** Používajte vhodný nástroj pre dané použitie. Správny mechanický nástroj splní svoju úlohu lepšie a bezpečnejšie pri rýchlosti, na ktorú je určený.
- **Mechanický nástroj nepoužívajte, ak spínač nezapína a nevypína nástroj.** Mechanický nástroj,





ktorý sa nedá ovládať spínačom, je nebezpečný a musí sa dať opraviť.

- **Pred vykonaním akýchkoľvek úprav, výmene príslušenstva alebo odložením mechanického nástroja odpojte zástrčku zo sieťovej zásuvky a/alebo jednotky akumulátora.** Takéto preventívne opatrenie znižuje riziko neúmyselného spustenia mechanického nástroja.
- **Nečinné mechanické nástroje odložte mimo dosahu detí a nedovoľte používať mechanický nástroj osobám neoboznámeným s mechanickým nástrojom alebo týmito pokynmi.** Mechanické nástroje sú v rukách netrénovaných osôb nebezpečné.
- **Na mechanických nástrojoch vykonávajte údržbu.** Skontrolujte, či pohyblivé diely nie sú nesprávne nastavené alebo zablokované, či niektoré diely nie sú poškodené, ako aj akýkoľvek iný stav, ktorý by mohol ovplyvniť činnosť mechanického nástroja. V prípade poškodenia nechajte mechanický nástroj pre použitím opraviť. Veľké množstvo nehôd je spôsobených nedostatočnou údržbou mechanických nástrojov.
- **Rezacie nástroje udržiavajte ostré a v čistote.** Správne udržiavané rezacie nástroje s ostrými ostriami sa menej pravdepodobne zaseknú a ľahšie sa ovládajú.
- **Mechanický nástroj, príslušenstvo a vrtáky a pod., používajte v súlade s týmto návodom, pričom berte do úvahy pracovné podmienky a úlohu, ktorú chcete vykonať.** Pri používaní mechanického nástroja na iné ako určené činnosti môže dôjsť k nebezpečným situáciám.

#### POUŽÍVANIE AKUMULÁTORA A STAROSTLIVOSŤ OŇ

- **Nabíjajte len s použitím nabíjačky špecifikovanej výrobcom.** Nabíjačka, ktorá je vhodná pre jeden typ jednotky akumulátora, môže pri použití s inou jednotkou akumulátora spôsobiť riziko požiaru.
- **Používajte len mechanické nástroje so špecificky určenými jednotkami akumulátorov.** Pri použití iných jednotiek akumulátora vzniká riziko poranenia a požiaru.
- **Keď sa jednotka akumulátora nepoužíva, nedávajte ju do blízkosti iných kovových objektov, ako sú papierové sponky, mince, kľúče, kince, skrutky či iné malé kovové predmety, ktoré by mohli skratovať svorky.** Pri skratovaní svoriek akumulátora môže dôjsť k popáleninám alebo požiaru.
- **Za nevhodných podmienok, keď by z batérie vytekala kvapalina, predchádzajte kontaktu s ňou. Pri náhodnom kontakte opláchnite vodou. Ak tekutina zasiahne oči, dodatočne vyhľadajte lekársku pomoc.** Tekutina vytečená z akumulátora môže spôsobiť podráždenie alebo popáleniny.

#### OPRAVY

- **Servis mechanického nástroja prenehajte kvalifikovanému servisnému pracovníkovi s použitím len identických náhradných dielov.** Takto zachováte bezpečnosť mechanického nástroja.

#### STRIHAČ ŽIVÉHO PLOTU – BEZPEČNOSTNÉ VÝSTRAHY

- **Telo udržiavajte mimo dosahu rezného ostria.** Neodstraňujte odstrihnutý materiál ani nedržte strihaný materiál, keď sa ostria pohybujú. Pri čistení zaseknutého materiálu musí byť spínač vypnutý. Chvilka nepozornosti počas obsluhy produktu môže spôsobiť závažné osobné poranenie.
- **Strihač živého plotu prenášajte za rukoväť, pričom rezné ostrie je zastavené. Pre prenášanie alebo skladovanie strihača plotu vždy nasadte kryt strihacieho zariadenia.** Pri správnom zaobchádzaní so strihačom živého plotu sa znižuje pravdepodobnosť osobného poranenia rezným ostrím.
- **Elektrický nástroj držte len za izolovaný úchopný povrch, lebo rezné ostrie sa môže dostať do kontaktu so skrytými vodičmi.** Pri kontakte rezných ostrí so „živým“ vodičom by mohli byť obnažené kovové diely pod prúdom a spôsobiť obsluhujúcemu úder elektrickým prúdom.

#### AKUMULÁTOR – BEZPEČNOSTNÉ VÝSTRAHY

- Niektoré regióny majú nariadenia, ktoré obmedzujú použitie produktu na určité operácie. Poradte sa s miestnym úradom. Prečítajte si všetky inštrukcie
- Pred každým použitím vyčistite pracovisko. Odstráňte všetky predmety ako káble, svetlá, drôty alebo vlákna, ktoré by sa mohli vymrštiť alebo zamotať do rezného zariadenia.
- Skontrolujte, či v živom plote nie sú cudzie predmety, napríklad drôtené ploty.
- Dbajte na zvýšenú opatrnosť pri používaní výrobku v blízkosti oplotenia, stĺpikov, budov a iných pevných predmetov.
- Pozor na vymršťované predmety – všetky okolostojace osoby, deti a domáce zvieratá musia stáť minimálne 15 m od pracoviska.
- Nedovoľte tento produkt používať deťom a nezaškoleným osobám.
- Nepracujte pri nedostatočnom osvetlení. Obsluhujúci musí mať jasný výhľad na pracovný priestor, aby mohol identifikovať potenciálne nebezpečenstvo.
- Pri používaní zariadenia vždy skontrolujte, či sú nasadené všetky rukoväte a kryty. Neuporabľajte nepopolnega orodja ali orodja s priključenim neodobrenim dodatkom.
- Pred každým použitím skontrolujte, či všetky ovládacie prvky a bezpečnostné zariadenia fungujú správne. Nástroj nepoužívajte, ak spínač nevypína produkt.
- Pred každým použitím nástroj skontrolujte. Skontrolujte, či nie sú uvoľnené upínadlá. Skontrolujte, či sú všetky kryty a rukoväte bezpečne nasadené. Pred použitím vymeňte všetky poškodené diely. Skontrolujte, či nedochádza k vytekaniu akumulátorovej jednotky.
- Izdelka na noben način ne spreminjajte.
- Pri práci s týmto zariadením používajte chrániče zraku a sluchu. Pri práci v priestore, kde existuje riziko pádu predmetov, používajte ochranu hlavy.

EN
FR
DE
ES
IT
NL
PL
PT
DA
SV
FI
NO
RU
PL
CS
HU
RO
LV
LT
ET
HR
SL
<b>SK</b>
BG
UK
TR





- Noste hrubé a dlhé nohavice, topánky a rukavice. Nenoste voľné pohodlné oblečenie, krátke nohavice, bižutériu žiadneho druhu, ani nepracujte bosí.
- Dlhé vlasy zaistíte, aby boli nad úrovňou plie a nedošlo tak k ich zamotaniu do pohybujúcich dielov.
- Použitie ochrany sluchu znižuje schopnosť počuť zvukové výstrahy (výkriky alebo alarmy). Operátor musí dávať zvlášť pozor, čo sa deje v pracovnej oblasti.
- Pri používaní podobných nástrojov v blízkosti sa zvyšuje riziko poranenia sluchu a potenciál pre ostatnú osobu, ktoré vstúpia do pracovného priestoru.
- Nepoužívajte tento produkt, keď ste unavení, chorí alebo pod vplyvom, alkoholu, drog alebo liekov.
- Udržujte bezpečný postoj a rovnováhu. Nepreceňujte sa. Pri siahaní príliš ďaleko môžete stratiť rovnováhu a vystaviť sa horúcim povrchom.
- Žiadnu časť tela nedávajte do blízkosti žiadnej pohybujúcej sa časti.
- Pred spustením nástroja dbajte na to, aby rezná ostria neboli s ničím v kontakte.
- Pri práci so strihačom živého plotu ho vždy držte pevne za obe rukoväte a dbajte na to, aby bola každá pracovná poloha bezpečná a zaistená. Výrobca neodporúča používať schodíky alebo rebríky. Ak sa vyžaduje strihanie vo vyššej polohe, použite nástroj na ďaleký dosah.
- Ostria sú ostré. Pri manipulácii s jednotkou ostria používajte protišmykové silné ochranné rukavice. Nevkladajte ruky alebo prsty medzi ostria ani do žiadnej inej pozície, kde by sa mohli zovrieť alebo porezať. Nikdy sa nedotýkajte ostria alebo servisnej jednotky, kým nevyberiete akumulátorovú jednotku.
- Vypnite a vyberte jednotku akumulátora pred:
  - nastavenie pracovnej pozície rezného zariadenia
  - čistenie alebo odstránenie upchatia
  - ponechanie produktu bez dozoru
  - kontrola, údržba alebo práca na produkte
- Netlačte strihač živého plotu cez husté kroviny prisilno. To môže spôsobiť zovretie ostrí a ich spomalenie. Ak ostria spomalila, znížte tempo.
- Nepokúšajte sa strihať kmene alebo vetvy hrubšie ako 18 mm (RHT1851R15, RHT1851R20, RHT1851R25, OHT1851R), 22 mm (RHT1855R40, OHT1855R) alebo také, ktoré sú zjavne príliš veľké, aby vošli do rezného ostria. Na rezanie veľkých kmeňov použite ručnú pílu bez pohonu alebo odvetvovaciu pílu.
- Nepracujte s nástrojom, ktorý má poškodené alebo nadmerne opotrebené rezacie zariadenie.

#### VAROVANIE

Ak produkt spadne, utrpí silný náraz alebo začne neštandardne vibrovať, okamžite ho zastavte s skontrolovať, či nedošlo k poškodeniu alebo zistíte príčinu vibrácií. Akékoľvek poškodenie sa musí náležite opraviť alebo vymeniť v autorizovanom servisnom centre.

## PREPRAVA A SKLADOVANIE

- Pred uskladnením alebo prepravou zastavte produkt, vyberte akumulátor a nechajte oboje vychladnúť.
- Odstráňte zo zariadenia všetky cudzie materiály. Odložte ho na suché a dobre vetrané miesto, na ktoré nemajú prístup deti. Z bezpečnostných dôvodov skladujte akumulátor oddelene od strihača živého plotu. Náradie neuskladňujte v blízkosti žieravých látok, ako napríklad v blízkosti záhradníckych chemických prípravkov alebo solí na zimný posyp komunikácií. Neskladujte v exteriéri.
- Pred skladovaním zariadenia alebo počas prepravy zakryte ostré ochranným krytom ostria.
- Pri preprave zaistite produkt pred pohybom alebo pádom, aby nedošlo k poraneniu osôb alebo poškodeniu produktu.

## PREPRAVA LÍTOVÝCH AKUMULÁTOROV

Akumulátory prepravujte v súlade s miestnymi smernicami a nariadeniami.

Keď akumulátory prepravuje tretia strana, dodržiavajte všetky požiadavky na balení a označení. Zabezpečte, aby počas prepravy akumulátory neprišli do kontaktu s inými akumulátormi ani vodivými materiálmi – chráňte obnažené konektory pomocou izolácie, nevodivými viečkami alebo páskou. Neprepravujte akumulátory, ktoré sú prasknuté alebo vytekajú. Ďalšie pokyny zistíte u nasledujúcej spoločnosti.

## ÚDRŽBA

### VAROVANIE

Používajte len originálne náhradné diely, príslušenstvo a nástavce výrobcu. V opačnom prípade môže dôjsť k možnému poraneniu, nedostatočnému výkonu a strate platnosti záruky.

### VAROVANIE

Údržba vyžaduje extrémnu starostlivosť a znalosti, a musí byť prevádzkaná výhradne v autorizovanom servise. Z dôvodu servisu vám odporúčame vrátiť výrobok do najbližšieho autorizovaného servisného centra na opravu. Ak výrobok opravujete, používajte iba rovnaké originálne náhradné diely.

### VAROVANIE

Ostria sú ostré. Aby nedošlo k poraneniu osôb, buďte mimoriadne opatrní pri čistení, mazaní a montáži alebo demontáži ochranného krytu ostria.

- Pred úpravami, údržbou alebo čistením vyberte akumulátor.
- Môžete vykonávať úpravy a opravy popísané v tejto príručke. Pri ostatných opravách sa obráťte na autorizovaného servisného zástupcu.
- Po každom použití vyčistite telo a rukoväť produktu suchou tkaninou.





- Po každom použití vyčistite sutinu z ostrí pomocou tvrdej kefky a predtým, ako znova namontujete ochranný kryt ostria, dôkladne naneste prostriedok proti hrdzaveniu. Výrobca odporúča aplikovať a rovnomerne naniesť prostriedok proti hrdzaveniu a lubrikačný sprej, čím sa zníži riziko poranenia osôb následkom kontaktu s ostriami. Informácie o vhodnom sprejovom produkte dostanete v miestnom autorizovanom servisnom centre.
- Pomocou vyššie uvedenej metódy môžete v prípade potreby pred použitím ostria jemne namazať.
- Skontrolujte všetky skrutky, matice v častých intervaloch či sú riadne utiahnuté, aby sa zaistila bezpečná prevádzka produktu. Akýkoľvek poškodený diel sa musí náležite opraviť alebo vymeniť v autorizovanom servisnom centre.

### ZVYŠKOVÉ RIZIKÁ:

Aj keď sa nástroj používa podľa predpisu, nie je možné eliminovať určité zvyškové rizikové faktory. Pri použití vznikajú nasledujúce riziká a obsluhujúca osoba musí venovať zvláštnu pozornosť, aby nedošlo k nasledovnému:

- zranenie pri kontakte s čepeľami
  - Pri kontakte s ostriami môže dôjsť k závažnému poraneniu. Nedávajte ostrie do blízkosti vás a iných osôb. Vždy, keď práve nerezete, zakryte ho ochranným krytom ostria.
- Zranenie spôsobené vibráciami.
  - Vždy používajte vhodný nástroj pre danú úlohu, používajte určené rukavice a obmedzte pracovný čas a mieru rizika.
- Poškodenie sluchu v dôsledku vystaveniu hluku.
  - Používajte ochranu sluchu a obmedzte expozíciu.

### OBMEDZENIE RIZIKA

Boli hlásené prípady, kedy vibrácie z ručných nástrojov u niektorých osôb prispeli k stavu nazývanému Raynaudov syndróm. K symptómom patria: trpnutie, znecitlivenie a blednutie prstov, zvyčajne zjavné po vystaveniu zime. Je známe, že k vývoju týchto symptómov prispievajú: dedičné faktory, vystavovanie zime a vlhkosti, diéta, fajčenie a pracovné návyky. Opatrenia, ktoré môže vykonať obsluhujúca osoba na možné zníženie účinkov vibrácií:

- V studenom počasí udržiavajte svoje telo v teple. Pri práci s produktom noste rukavice, aby ste mali ruky a zápästia v teple.
- Po každom určitom časovom úseku prevádzky cvičte, aby ste zlepšili krvný obeh.
- Počas práce si doprajte časté prestávky. Obmedzte počet vystavení za deň.

Ak zistíte ktorýkoľvek zo symptómov tohto stavu, okamžite prerušte používanie zariadenia, navštívte svojho lekára a povedzte mu o symptómoch.

### VAROVANIE

Pri dlhodobom alebo zvýšenom používaní môže dôjsť k zraneniam. Pri používaní nástroja príliš dlhé obdobia si vždy doprajte pravidelné prestávky.

### OPIS

Pozrite stranu 128.

### DIELY

1. Zadná rukoväť
2. Spínač
3. Zaisťovacie tlačidlo otočnej rukoväti
4. Predná rukoväť
5. Spínač prítomnosti obsluhujúcej osoby
6. Ochranný kryt
7. Zmeták úlomkov HedgeSweep™
8. Ostrie
9. Kryt ostria
10. Batéria
11. Tlačidlo západky akumulátora
12. Nabíjačka

### SYMBOLY NA PRODUKTE



Výstražná značka



Pred zapnutím zariadenia si prosím prečítajte inštrukcie.



Používajte chrániče sluchu



Používajte chrániče zraku



Strihač živého plotu pri práci vždy držte dvoma rukami.



Používajte protišmykové odolné rukavice.



Aby nedošlo k závažnému poraneniu, nedotýkajte sa rezných ostrí.



Nevystavujte dažďu ani nepoužívajte vo vlhkom prostredí.



Pozor na vymrštené alebo odletujúce objekty. Všetky okolostojace osoby (najmä deti a domáce zvieratá) musia stáť minimálne 15 m od miesta práce



Vyhovuje všetkým regulačným normám v krajine EÚ, v ktorej bol výrobok zakúpený.



Euroázijská značka zhody



Ukrajinské označenie zhody





Garantovaná hladina akustického výkonu, uvedená na tomto štítku, je 94 dB.



Opotrebované elektrické zariadenia by ste nemali odhadzovať do domového odpadu. Prosíme o recykláciu ak je možné. Kontaktujte miestne úrady, alebo predajcu pre viac informácií ohľadom ekologického spracovania.

## SYMBOLY V TOMTO NÁVODE



Diely alebo príslušenstvo predávané samostatne



Poznámka



Varovanie

Nasledujúce značky a významy vysvetľujú úroveň rizika spojeným s výrobkom.

### **NEBEZPEČENSTVO**

Označuje bezprostredne nebezpečnú situáciu, ktorá môže vyústiť v smrť, alebo vážne zranenie.

### **VAROVANIE**

Označuje potenciálne nebezpečnú situáciu, ktorá môže vyústiť v smrť, alebo vážne zranenie.

### **VÝSTRAHA**

Označuje potenciálne nebezpečnú situáciu, ktorá môže vyústiť v ľahké, alebo stredne ťažké zranenie.

### **VÝSTRAHA**

Bez symbolu bezpečnostného alarmu

Označuje situáciu, ktorá môže zapríčiniť poškodenie majetku.



Безопасността, производителността и надеждността са аспектите, на които е отделен най-голям приоритет при проектирането на вашия безжичен хресторез.

## ПРЕДНАЗНАЧЕНИЕ

Продуктът е предназначен за използване само на открито. От съображения за сигурност, продуктът трябва да бъде управляван адекватно чрез работа с двете ръце.

Този продукт е предназначен за домашна или битова употреба. Той е предназначен за рязане и подрязване на жив плет, храсти и подобни растения.

Трябва да се използва при сухи условия с добра осветеност.

Той НЕ е предназначен за рязане на трева, дървета или клони. Той не трябва да се използва за каквато и да е друга цел освен за подрязване на жив плет.

## ОСНОВНИ ПРЕДУПРЕЖДЕНИЯ ЗА БЕЗОПАСНОСТ ПРИ РАБОТА С ЕЛЕКТРИЧЕСКИ ИНСТРУМЕНТИ

### ⚠ ПРЕДУПРЕЖДЕНИЕ

Прочетете всички предупреждения относно безопасността и всички инструкции. Неспазването на предупрежденията и инструкциите може да доведе до токов удар, пожар и/или сериозни наранявания. Съхранявайте всички предупреждения и инструкции за бъдещи справки.

Терминът "електрически инструмент" в предупрежденията се отнася за вашия инструмент - със захранване от електрическата мрежа (с кабел) или на батерия (безжичен).

## БЕЗОПАСНОСТ НА РАБОТНАТА ЗОНА

- **Поддържайте работното пространство чисто и добре осветено.** Безпорядъкът или тъмнината в работното пространство са предпоставка за злополуки.
- **Не използвайте електрически инструменти в експлозивни среди, например в присъствието на запалителни течности, газове или прах.** По време на работа електрическите инструменти произвеждат искри, които могат да възпламенят прах или пари.
- **Дръжте децата и страничните наблюдатели далече, докато боравите с електрически инструмент.** Ако вниманието ви бъде отклонено, може да загубите контрола над електрическия инструмент.

## ЕЛЕКТРИЧЕСКА БЕЗОПАСНОСТ

- **Щепселът на електрическия инструмент трябва да е съвместим с контакта. В никакъв случай не внасяйте изменения в конструкцията на щепсела.** Когато работите със занулени електрически инструменти, не използвайте адаптери за щепсела. Използването на оригиналните щепсели и контакти намалява риска от токов удар.

- **Избягвайте допир със заземени повърхности, като тръби, радиатори, печки и хладилници.** Когато тялото ви е заземено, рискът от възникване на токов удар е по-голям.
- **Не излагайте продукта на дъжд или влажни условия.** Проникването на вода в електрическия инструмент повишава опасността от токов удар.
- **Не насилвайте захранващия кабел. Никога не носете, не изключвайте и не дърпайте електрическия инструмент за кабела.** Предпазвайте кабела от нагриване, омасляване, допир до остри ръбове или до подвижни звена на машини. Повредените или усукани кабели увеличават риска от токов удар.
- **Когато работите с електрически инструмент на открито, използвайте само удължителни кабели, предназначени за работа на открито.** Използването на удължител, предназначен за работа на открито, намалява риска токов удар.
- **Ако не можете да избегнете използването на електрически инструмент на влажно място, използвайте RCD (прекъсвач със защитно изключване).** Използването на RCD намалява опасността от електрически удар.

## ЛИЧНА БЕЗОПАСНОСТ

- **Бъдете бдителни, внимавайте какво правите и проявявайте благоразумие, когато боравите с електрически инструмент. Не използвайте електрическия инструмент, когато сте уморени или под влиянието на наркотични вещества, алкохол или лекарства.** Миг невнимание, докато боравите с електрически инструмент, е достатъчен за получаването на сериозни наранявания.
- **Използвайте лична защитна екипировка. Винаги носете защитни очила.** Защитната екипировка, като маска против прах, пригодени против плъзгане защитни обувки, твърда шапка или антифони, използвани за подходящите условия, ще намали опасността от физически наранявания.
- **Не допускайте нежелано стартиране. Преди да вдигате или носите инструмента и преди да го включвате в електрическата мрежа и/или батерия, винаги проверявайте дали превключвателят е на позиция OFF (изкл).** Носенето на инструмента с пръст върху превключвателя или включването му към електричеството, докато превключвателят му е на включен, е предпоставка за злополуки.
- **Махнете всички гачни или френски ключове за настройка преди да включите инструмента.** Помощен инструмент, забравен на въртящ се елемент, може да доведе до физически наранявания.
- **Не се протягайте, за да работите на трудно достижими места.** Винаги стъпвайте стабилно по време на работа и пазете равновесие. Това дава възможност за по-добър контрол над електрическия инструмент в неочаквани ситуации.
- **Обличайте се целесъобразно. Не носете широки дрехи или украшения. Дръжте косата, дрехите**



и ръкавиците си на безопасно разстояние от подвижните елементи. Широките дрехи, украшенията, дългите коси могат да бъдат захванати и увлечени от движещи се елементи.

- Ако устройствата са оборудвани със съоръжение за издърпване и събиране на прах, уверете се, че е то свързано и функционира правилно. Използването на устройствата за събиране на прах ще намали рисковете, свързани с работа в прашни условия.

## ИЗПОЛЗВАНЕ И ОБСЛУЖВАНЕ НА ЕЛЕКТРИЧЕСКИЯ ИНСТРУМЕНТ

- Не насилвайте продукта. Използвайте електрически инструмент, съобразно неговото предназначение. Правилно подбираният електрически инструмент ще свърши работата по-добре и по-безопасно в зададения от производителя диапазон на натоварване.
- Не използвайте електрически инструменти, чиито пусков прекъсвач е повреден. Електрически инструмент, който не може да бъде контролиран посредством превключвател, е опасен и трябва да бъде ремонтиран.
- Изключете щепсела от източника на захранване и/или батерията от електрическия инструмент, преди да извършвате каквито и да е корекции, да сменят принадлежностите и преди съхраняване на електрическите инструменти. Тази мярка премахва опасността от задействане на електрическия инструмент по невнимание.
- Съхранявайте незаетите електрически инструменти на недостъпни за деца места и не позволявайте на лица, непознати с инструмента или с тези указания, да боравят с него. Когато са в ръцете на неопитни потребители, електрическите инструменти могат да бъдат изключително опасни.
- Поддържайте електрическите инструменти в изправност. Проверявайте за неизправности или заклиняване в подвижните елементи, за счупени части или други обстоятелства, които могат да влошат работата на електрическия инструмент. Преди да използвате електрическия инструмент, се погрижете повредите да бъдат отстранени. Много от трудовите злополуки се дължат на недобре поддържани електрически инструменти.
- Поддържайте режещите инструменти винаги добре заточени и чисти. Инструменти, за които е полагана правилна грижа и са с добре наточени режещи елементи, се управляват по-лесно и вероятността да заядат е по-малка.
- Използвайте електрическите инструменти, принадлежностите и режещите и др. части съобразно тези указания, като се съобразявате с работните условия и с работата, която ще извършвате. Използването на електрически инструменти за различни от предвидените от производителя приложения повишава опасността от възникване на трудови злополуки.

## ИЗПОЛЗВАНЕ И ОБСЛУЖВАНЕ НА ИНСТРУМЕНТА С БАТЕРИЯ

- Презареждайте единствено със зарядното устройство, посочено от производителя. Зарядно устройство, подходящо за зареждане на един вид батерии, може да предизвика риск от пожар, ако бъде използвано за други батерии.
- Използвайте електрически инструменти с батерии единствено със специално предназначени за тях батерии. Използването на всякакви други батерии може да създаде риск от нараняване и пожар.
- Когато батерията не се използва, съхранявайте я далеч от други метални обекти, като например кламери, монети, ключове, гвоздеи, гайки или други малки метални обекти, които могат да направят връзка между клемите. Късото съединение от клемите може да доведе до изгаряния или пожар.
- При неправилно използване батерията може да отдели течност; избягвайте контакт. Ако случайно настъпи контакт, промийте с вода. Ако течността влезе в контакт с очите, потърсете допълнително медицинска помощ. Отделената от батерията течност може да причини възпаление или изгаряния.

## СЕРВИЗНО ОБСЛУЖВАНЕ

- Ремонтът на електрическите инструменти трябва да се извършва само от квалифицирани специалисти и само с използването на оригинални резервни части. По този начин се гарантира поддържането на безопасност при работа с електрическия инструмент.

## ПРЕДУПРЕЖДЕНИЯ ЗА БЕЗОПАСНА РАБОТА С ХРАСТОРЕЗА

- Дръжте режещия механизъм далеч от тялото си. Не отстранявайте отрязания материал и не дръжте материала, който ще режете, докато остриетата се движат. Уверете се, че превключвателят е в изключено положение, когато почиствате заседнал материал. Миг невнимание по време на работа с продукта може да предизвика сериозни физически наранявания.
- Носете ножицата за жив плет за дръжката, със спряло острие. При транспортиране или съхранение винаги поставяйте предпазителя на режещото устройство. Правилното третиране на хростореза ще намали възможността за нараняване с острието.
- Дръжте електрическия инструмент само за изолираните повърхности за хващане, тъй като острието може да влезе в контакт със скрити кабели. Ако остриетата влязат в контакт с открити жици, може да протече ток по металните части на електрическия инструмент и операторът да бъде подложен на токов удар.





## ДОПЪЛНИТЕЛНИ ПРЕДУПРЕЖДЕНИЯ ЗА БЕЗОПАСНОСТ

- В някои региони има разпоредби, ограничаващи използването на продукта до определени операции. За съвети се обръщайте към местните власти. Прочетете всички указания
- винаги почиствайте работното пространство, преди да използвате уреда. Отстранете всички предмети като кабели, лампи, жици или върви, които могат да отхвърчат или да се заплетат в режещия механизъм.
- Проверете храстите за външни предмети, като например телени огради.
- Бъдете изключително внимателни, когато използвате продукта в близост до огради, стълбове, сгради или други неподвижни обекти.
- Внимавайте за отхвъркнали предмети; дръжте всички странични наблюдатели, деца и домашни животни на разстояние поне 15 метра от работната зона.
- Не позволявайте на деца или необучени лица да използват този продукт.
- Не използвайте тази машина при слабо осветление. Операторът трябва да има чиста видимост върху работното пространство, за да идентифицира потенциални опасности.
- По време на работа с този инструмент трябва да са монтирани всички ръкохватки и предпазители. Никога не се опитвайте да използвате продукт с липсващи части или ако са направени неразрешени модификации.
- Преди всяка употреба проверявайте дали всички контроли и устройства за безопасност функционират правилно. Не използвайте инструмента, ако превключвателят "OFF" ("Изключване") не спира продукта.
- Преди всяка употреба проверявайте машината за неизправности. Проверете за разхлабени свързки. Уверете се, че всички предпазители и дръжки са правилно стабилно прикрепени. Заменяйте повредените части преди употреба. Проверете батерията за течове.
- По никакъв начин не модифицирайте изделието.
- Носете пълна защитна екипировка за очите и слуха ви, когато боравите с продукта. Ако работите в зона, където съществува риск от падащи предмети, трябва да носите каска.
- Носете здрави дълги панталони, ботуши и ръкавици. Не носете широки дрехи, къси панталони или бижута и не използвайте машината, ако не сте с обувки.
- Дългата коса трябва да бъде прибрана на ниво над раменете, за да се избегне нейното заплитане в движещите се части.
- При използване на антифони ще се намали способността да чувате предупреждения (подвиквания или аларми). Операторът трябва да е особено внимателен за това, което се случва в работната зона.
- Ако наблизо се работи с подобни уреди, това увеличава както риска от увреждане на слуха, така и вероятността други хора да навлязат във вашето работно пространство.
- Не използвайте този продукт, ако сте уморени, болни или под влиянието на алкохол, наркотици или лекарства.
- Заемайте стабилна позиция и пазете баланс. Не се протягайте, за да работите на трудно достижими места. Протягането може да доведе до загуба на равновесие или контакт с горещи повърхности.
- Дръжте движещите се части на разстояние от тялото си.
- Преди да стартирате машината, се уверете, че режещите остриета няма да влязат в контакт с нищо наоколо.
- Когато работите с хростореза, винаги го дръжте здраво с двете ръце за дръжките, за да гарантирате стабилната и безопасна работна позиция на машината. Производителят не препоръчва използването на стъпала или стълби по време на работа. Ако е необходимо да режете на по-голяма височина, използвайте подходящ удължител.
- Остриетата са много остри. Докато сглобявате режещия механизъм, носете здрави, неплъзгащи се защитни ръкавици. Не поставяйте ръката или пръстите си между остриетата или в позиция, в която могат да бъдат прещипани или порязани. Никога не докосвайте острието и не извършвайте дейности по поддръжка, ако не сте свалили акумулаторната батерия.
- Разкачвайте и сваляйте акумулаторната батерия, преди да:
  - настройване на работната позиция на режещото устройство
  - почистване или отстраняване на препятствия
  - оставяне на продукта без надзор
  - проверка, поддръжка или работа по продукта
- Не насилвайте хростореза през прекалено гъст храсталак. Това може да причини задръстване в остриетата и ги забави. Ако остриетата се забавят, намаляте темпото.
- Не режете стъркове и клонки, които са по-дебели от 18 mm (RHT1851R15, RHT1851R20, RHT1851R25, OHT1851R), 22 mm (RHT1855R40, OHT1855R) или са очевидно прекалено големи, за да влязат между зъбите на острието. Използвайте обикновен ръчен трион или трион за кастрене, за да подрязвате дебели стъбла.
- Не използвайте машината, ако режещото й устройство е повредено или прекомерно износено.



### **⚠ ПРЕДУПРЕЖДЕНИЕ**

Ако продуктът бъде изпуснат, претърпи силен удар или започне да вибрира неестествено, незабавно изключете продукта и проверете за повреди или се опитайте да идентифицирате причината за вибрирането. Поправките и замените на части при повреда трябва да се извършват от оторизиран сервизен център.

### **ТРАНСПОРТИРАНЕ И СЪХРАНЕНИЕ**

- Спрете продукта, свалете батерията и изчакайте и двете да се охладят, преди да транспортирате уреда или да го приберете за съхранение.
- Почистете продукта от всички чужди частици. Съхранявайте я на хладно, сухо и добре проветрявано място, което е недостъпно за деца. За допълнителна сигурност съхранявайте акумулаторната батерия отделно от самия хросторез. Не го оставайте в близост до корозивни материали като градински химикали или соли за размразяване. Не съхранявайте на открито.
- Съхранявайте и транспортирайте уреда само с монтиран предпазител на острието.
- Когато транспортирате продукта, го обезопасете така, че да не може да се движи или да падне, защото това може да доведе до евентуални наранявания на хора или повреди по продукта.

### **ТРАНСПОРТИРАНЕ НА ЛИТИЕВИ БАТЕРИИ**

Транспортирайте батериите в съответствие с местните и национални постановления и разпоредби.

Спазвайте всички специални изисквания за пакетирание и етикетирание, когато транспортирате батерии чрез трето лице. Уверете се, че батериите не влизат в контакт с други батерии или проводими материали по време на транспортиране, като предпазите откритите конектори с изолация, непроводими капачета или лента. Не транспортирайте батерии, които са спукани или текат. Свържете се със следната компания за допълнителен съвет.

### **ПОДДРЪЖКА**

### **⚠ ПРЕДУПРЕЖДЕНИЕ**

Използвайте само оригинални резервни части, аксесоари и приставки от производителя. В противен случай може да се влоши работата на инструмента или да получите тежки контузии, а гаранцията ви ще стане невалидна.

### **⚠ ПРЕДУПРЕЖДЕНИЕ**

Сервизното обслужване изисква изключително внимание и специфични познания и следва да бъде извършвано само от квалифициран техник. За сервизно обслужване и поправка препоръчваме да занесете продукта до най-близкия упълномощен сервизен център. При ремонт използвайте само идентични резервни части.

### **⚠ ПРЕДУПРЕЖДЕНИЕ**

Остриетата са много остри. За да се предпазите от нараняване, бъдете особено внимателни, когато почиствате, смазвате, монтирате или сваляте протектора на острието.

- Сваляйте батериите, когато извършвате дейности по регулиране, поддръжка или почистване на инструмента.
- Можете да правите настройки и поправки, описани в това ръководство на потребителя. За други поправки се свържете с агент на упълномощения сервиз.
- След всяко използване почиствайте корпуса и дръжките на уреда с мека и суха кърпа.
- След всяко използване почиствайте остриетата от отломки с твърда четка, след което смазвайте с препарат против ръжда, преди да монтирате отново протектора на острието. Производителят препоръчва да използвате смазочен спрей против ръжда, за да можете да приложите препарата равномерно и да намалите риска от нараняване при евентуален контакт с остриетата. За повече информация относно подходящ смазочен спрей се обърнете към вашия местен оторизиран сервизен център.
- Преди да използвате уреда, можете да смажете леко остриетата, като използвате описания по-горе метод.
- Периодично проверявайте дали всички гайки, болтове и винтове са правилно затегнати, за да сте сигурни, че продуктът е в изправност. Всяка повредена част трябва да бъде поправена или заменена от упълномощен сервизен център.

### **НЕПРЕДВИДЕНИ РИСКОВЕ.**

Дори когато продуктът се използва по предназначение, е невъзможно напълно да се ограничи влиянието на определени рискови фактори. Рисковете, описани по-долу, може да възникнат по време на употреба и операторът трябва да внимава за избягването на следното:

- нараняване в следствие на контакт с остриетата
  - Контактът с остриетата може да доведе до сериозно нараняване. Дръжте острието далеч от себе си и от странични наблюдатели. Покривайте го с предпазителя за острието, когато не режете.
- Нараняване, причинено от вибрация.
  - Винаги използвайте подходящия инструмент

за съответната дейност и предназначенията за целта ръкохватки, като ограничавате времето на работа и излагането на рискове.

- Увреждане на слуха в следствие на излагане на шум.
  - Носете антифони и ограничете излагането.

## ΜΕΙΩΣΗ ΚΙΝΔΥΝΟΥ

Известно е, че вибрациите, произвеждани от ръчни инструменти може да предизвикат у някои индивиди заболяване, наречено Синдром на Рейнолд (Raynaud's Syndrome). Симптомите може да включват изтръпване, схващане и избледняване на пръстите, обикновено се забелязват при излагане на студ. Смята се, че наследствените фактори, излагането на студ и влага, диетите, пушенето и някои работни навици допринасят за развитието на тези симптоми. Могат да се вземат някои мерки, които могат да се предприемат от оператора, за да се намалят ефектите от вибрациите:

- Поддържайте телесната температура в студено време. Когато работите с продукта, носете ръкавици, за да поддържате ръцете и китките си топли.
- Правете упражнения за активизиране на кръвообращението след всеки работен цикъл.
- Редовно излизайте в почивка. Ограничете излагането на вибрации на ден.

При поява на някой от симптомите на това заболяване, незабавно прекратете употребата на инструмента и посетете лекар.

## ⚠ ПРЕДУПРЕЖДЕНИЕ

Продължителното използване на инструмента може да доведе до наранявания или влошаване. При използване на инструмента за продължителни периоди от време правете чести почивки.

## ОПИСАНИЕ

Вж. страница 128.

## ЧАСТИ

1. Задна ръкохватка
2. Спусък
3. Закljučващ бутон за въртене на ръкохватката
4. Предна ръкохватка
5. Защитно изключване при отсъствие на оператор
6. Предпазно приспособление
7. Метачка с четки за отпадъци HedgeSweep™
8. Острие
9. Капак на острие
10. Батерия
11. Бутон за фиксатора на батерията
12. Зарядно устройство

## СИМВОЛИ НА ПРОДУКТА



Предупреждение относно безопасността



Прочетете инструкциите внимателно, преди да стартирате машината.



Носете антифони



Носете защитни средства за очи



Винаги дръжте ножицата за жив плет с две ръце, докато работите.



Носете здрави ръкавици, пригодени против плъзгане.



За да избегнете сериозно физическо нараняване, не докосвайте режещите остриета.



Не излагайте на дъжд и на влажни условия.



Внимавайте за изхвърлени или летящи обекти. Не допусквайте странични наблюдатели, особено деца и домашни животни, на по-малко от 15 м от работната зона.



Тази машина е в съответствие с нормативната уредба на държавата от ЕС, където е била закупена.



EurAsian знак за съответствие



Украински знак за съответствие



Гарантираното ниво на силата на шум, показано на този етикет, е 94 dB.



Електрическите уреди не трябва да се изхвърлят заедно с битовите отпадъци. Рециклирайте, където има възможност. Обърнете се за съвет по рециклирането към местните власти или разпространителите.

## СИМВОЛИ В НАСТОЯЩОТО РЪКОВОДСТВО



Частите или принадлежностите се продават отделно



Забележка



Предупреждение



Следните сигнални думи и значенията им са предназначени да обяснят нивата на опасност, свързани с този продукт.

**⚠ ОПАСНОСТ**

Указва неминуемо опасна ситуация, която ако не бъде избегната, ще доведе до сериозни наранявания или смърт.

**⚠ ПРЕДУПРЕЖДЕНИЕ**

Указва потенциално опасна ситуация, която ако не бъде избегната, може да доведе до сериозни наранявания или смърт.

**⚠ ВНИМАНИЕ**

Указва потенциално опасна ситуация, която ако не бъде избегната, може да доведе до дребни или средни наранявания.

**ВНИМАНИЕ**

Без предупредителен символ за безопасност

Указва ситуация, която може да доведе до имуществени щети.





В дизайні бездротових шпалерних ножиць вищий пріоритет наданий безпеці, продуктивності і надійності.

### ПЕРЕДБАЧУВАНОМУ ВИКОРИСТАННІ

Цей продукт призначений тільки для використання на відкритому повітрі. Задля безпеки керування інструментом має здійснюватися обома руками.

Продукт призначений для домашнього або місцевого використання. Він призначений для різання та обрізки живоплотів, чагарників та подібної рослинності.

Він повинен бути використаний у сухих, добре освітлених умовах.

Він не призначений для скошування трави, дерев або гілок. Він не повинен бути використаний для інших цілей, ніж підрізання живоплоту.

### ЗАГАЛЬНІ ЗАХОДИ БЕЗПЕКИ

#### ⚠ Попередження

Прочитайте всі правила безпеки та інструкції. Недотримання попереджень та інструкцій може призвести до ураження електричним струмом, пожежі та / або серйозної травми. Збережіть всі інструкції і вказівки для майбутнього використання.

Термін "електроінструмент" у попереджувальних повідомленнях відноситься до вашого мережевого електроінструменту (дротового) або електроінструменту, що живиться від акумуляторної батареї (бездротового).

### БЕЗПЕКА РОБОЧОГО МІСЦЯ

- Утримуйте робоче місце в чистоті і добре освітленим. Безлад на робочому місці або темні місця спричиняють аварії.
- Не використовуйте продукт у вибухонебезпечних атмосферах, наприклад, у присутності легко займистих рідин, газів або пилу. Під час роботи косарки виникають іскри, що можуть призвести до займання пилу або парів.
- Тримайте дітей та сторонніх осіб подалі під час роботи електроінструментом. Відволікання уваги може призвести до втрати контролю.

### ЕЛЕКТРОБЕЗПЕКА

- Вилка живлення електроінструменту повинна відповідати розетці. Ніколи не змінюйте вилку. Не використовуйте ніякі вилки-перехідники з заземленими (замкнутими на землю) електроінструментами. Не змінені вилки та відповідні розетки зменшують ризик ураження електричним струмом.
- Уникайте контакту тіла з заземленими поверхнями, такими як труби, радіатори, плити та холодильники. Якщо ваше тіло заземлене, існує підвищений ризик ураження електричним струмом.
- Не піддавайте електроінструменти впливу дощу або вологих умов. Попадання води на пристрій збільшує ризик ураження електричним струмом.

- Не зловжуйте шнур. Ніколи не використовуйте шнур живлення для перенесення, переміщення або вилучення вилки з розетки. Тримайте шнур подалі від тепла, масла, гострих кромок або рухомих частин. Пошкоджені або заплутані шнури збільшують ризик ураження електричним струмом.
- При роботі з електроінструментом на вулиці, використовуйте подовжувач, відповідний для використання на відкритому повітрі. Використання кабелю, придатного для використання на відкритому повітрі, знижує ризик ураження електричним струмом.
- При роботі з електроінструментом у вологому середовищі використовуйте залишковий поточний пристрій (ЗПП) захищеного живлення. Використання ЗПП знижує ризик ураження електричним струмом.

### ОСОБИСТА БЕЗПЕКА

- Будьте уважні, дивіться, що ви робите, і використовуйте здоровий глузд при експлуатації виробу. Не працюйте з виробом, коли ви втомлені або знаходитесь під дією наркотиків, алкоголю або медикаментів. Найменша необережність при роботі з електроінструментом може призвести до серйозних травм.
- Використовуйте персональне захисне обладнання. Завжди одягайте захисні окуляри. Засоби захисту, такі як респіратор, нековзне взуття, каска або засоби захисту органів слуху, що використовуються в належних умовах знизять ризик отримання травми.
- Запобігайте випадковому запуску. Переконайтеся, що вимикач знаходиться у вимкненому положенні перед підключенням до джерела живлення та / або акумуляторної батареї, підніманням або переміщенням інструменту. Не переносьте електроінструмент з пальцем на вимикачі або подачею живлення на інструмент, який має перемикач, щоб запобігти нещасного випадку.
- Перед включенням електроінструменту знімайте регулювальний або гайковий ключ. Гайковий ключ або регулювальний ключ, залишений на обертаємій частині електроінструменту, може призвести до травми.
- Не тягніться. Зберігайте правильну стійку і баланс весь час. Це дозволяє краще контролювати інструмент в несподіваних ситуаціях.
- Одягайтеся правильно. Не носіть вільний одяг або прикраси. Тримайте волосся, одяг і рукавички подалі від рухомих частин. Вільний одяг, прикраси або довге волосся можуть потрапити в рухомі частини.
- Якщо є пристрої для підключення для збору пилу, переконайтеся, що вони під'єднані і використовуються правильно. Використання пилозбірника знижує небезпеку, пов'язану з запиленістю.





## ВИКОРИСТАННЯ ТА ДОГЛЯД ЗА ЕЛЕКТРОІНСТРУМЕНТОМ

- Не перевантажуйте електроінструмент. Використовуйте відповідний для вашої потреби електроінструмент. Електроінструмент виконає роботу краще і безпечніше при швидкості, для якої він був розроблений.
- Не використовуйте електроінструмент, якщо перемикач не включає та вимикає його. Будь-який електроінструмент, яким не можливо керувати за допомогою перемикача - небезпечний і повинен бути відремонтований.
- Відключіть вилку від джерела живлення та / або від акумулятора електроінструменту, перш ніж робити будь-які регулювання, зміну приладдя або при зберіганні електроінструменту. Такі запобіжні заходи знижують ризик випадкового запуску приладу.
- Зберігайте непрацюючі електроприлади у недоступному для дітей місці і не дозволяйте особам, які не знайомі з інструкціями електричного прилада або з даними інструкціями, працювати з електроприладами. Електроінструменти небезпечні в руках недосвідчених користувачів.
- Обслуговуйте електроінструмент. Перевіряйте рухомі частини на наявність зміщення елементів або некоректного з'єднання, а також поломки та будь-яких інших чинників, які можуть вплинути на роботу електроінструменту. Якщо пошкоджений, відремонтуйте електроінструмент перед використанням. Багато нещасних випадків є наслідком поганого догляду за електроінструментом.
- Тримайте ріжучий інструмент гострим і чистим. Добре доглянутий ріжучий інструмент з гострими ріжучими крайками рідше зв'язується і легше контролюється.
- Використовуйте електроприлади, приладдя та насадки відповідно до цих інструкцій, урахувавши умови та характер роботи. Використання електричного інструменту для операцій, які відрізняються від призначених, може призвести до небезпечної ситуації.

## ВИКОРИСТАННЯ І ДОГЛЯД ІНСТРУМЕНТУ НА БАТАРЕЙКАХ

- Перезаряджати тільки за допомогою зарядного пристрою, зазначеного виробником. Зарядний пристрій, що підходить для одного типу акумуляторів, може створити ризик загоряння при використанні з іншим акумуляторним блоком.
- Використовуйте електроінструменти тільки з призначеними для них акумуляторами. Використання будь-яких інших акумуляторів, може створити ризик отримання травми і пожежі.
- Коли акумуляторна батарея не використовується, тримайте її подалі від металевих предметів, таких як кліпси, монети, ключі, цвяхи, гвинти або інші невеликі металеві предмети, які можуть замкнути клеми. Коротке

замикання контактів акумулятора може призвести до опіків або пожежі.

- У важких умовах експлуатації, рідина може бути випущена з батареї; уникайте контакту. При випадковому контакті змийте водою. При потрапленні рідини в очі, зверніться за медичною допомогою. Рідина з акумулятора може викликати роздратування або опіки.

## ОБСЛУГОВУВАННЯ

- Дозволяйте обслуговувати ваш електроінструмент тільки кваліфікованому персоналу, використовуючи тільки ідентичні запасні частини. Це гарантуватиме безпечну експлуатацію електроінструменту.

## ТЕХНІКА БЕЗПЕКИ ПРИ РОБОТІ ЗІ ШПАЛЕРНИМИ НОЖИЦЯМИ

- Тримайте всі частини тіла подалі від ріжучих лез. Не видаляйте обрізаний матеріал та не тримайте матеріал, що має різатись, руками, коли леза рухаються. Коли видаляєте затиснутий матеріал, переконайтеся, що перемикач вимкнений. Найменша необережність при роботі з електроінструментом може призвести до серйозних травм.
- Носіть тример для живоплоту на держалі за рукоятку та зупиненим ріжучим лезом. При транспортуванні або зберіганні тримера для живоплоту на держалі завжди встановіть кришку ріжучого пристрою. Правильне поводження з тримером для живоплоту на держалі знизить можливість травм від лез різаків.
- Тримайте інструмент за ізольовані поверхні для тримання, тільки тому, що лезо різаків може контактувати з прихованою проводкою. Леза різаків, що контактують з проводом "під напругою" можуть зробити металеві частини електроінструменту "під напругою" і можуть вдарити оператора.

## ДОДАТКОВІ ЗАГАЛЬНІ ПОПЕРЕДЖЕННЯ ЩОДО БЕЗПЕКИ

- У деяких регіонах існують правила, що обмежують використання продукту для деяких операцій. Перевірте з вашим місцевим органом влади для консультації Прочитайте всі інструкції.
- Очистіть робочу зону перед кожним використанням. Видалити всі об'єкти, такі, як шнури, ліхтарі, дроти, або мотузки, які можуть бути відкинуті або заплуталися в ріжучих засобах.
- Перевірте живу огорожу на наявність сторонніх предметів, наприклад, дротових огорож.
- Потрібна додаткова обережність при використанні пристрою поблизу стовпів, будівель або інших нерухомих об'єктів.
- Остерігайтеся кинутих, летючих або падаючих предметів; тримайте всіх перехожих, дітей і тварин, принаймні 15 м від робочої зони.
- Не дозволяйте дітям або ненавченим людям







користуватися пристроєм.

- Не використовуйте при поганому освітленні. Оператор потрібне чіткий огляд робочої області, щоб визначити потенційні небезпеки.
- Завжди перед використанням кущоріза спочатку перевірте чи всі ручки та захисні частини прикріплені. Ніколи не намагайтеся використовувати не повністю зібраний кущоріз або кущоріз зі зміненою модифікацією.
- Перед кожним використанням переконайтеся, що всі елементи керування і безпеки функціонують правильно. Не використовуйте інструмент, якщо вимикач не зупиняє продукт.
- Огляньте виріб перед кожним використанням. Перевірте надійність кріплення. Переконайтеся, що всі захисні огорожі, дефлектори і ручки правильно і надійно закріплені. Замініть всі пошкоджені деталі перед використанням. Переконайтеся у відсутності витоків акумулятора.
- В жодному разі не видозмінюйте прилад.
- Носіть повний захист очей і слуху під час роботи з продуктом. При роботі в місцях, де є ризик падіння предметів, потрібно носити захист для голови.
- Носіть важкі довгі штани, чоботи і рукавички. Не носіть широкий одяг, короткі штани, коштовності будь-якого виду та не використовуйте прилад босоніж.
- Зафіксуйте довге волосся вище рівня плеча, щоб запобігти заплутуванню в будь-яких рухомих частинах.
- Використання захисту органів слуху знижує здатність чути попередження (крики або сигнали тривоги). Оператор повинен звернути особливу увагу на те, що відбувається в робочій зоні.
- Операції з аналогічними інструментами неподалік збільшує ризик травм слуху і можливість потрапляння інших осіб у робочу зону.
- Не використовуйте цю машину, якщо ви втомилися, хворі, або під впливом алкоголю, наркотиків або ліків.
- Тримайте міцну опору і рівновагу. Не тягніться. Перенапруження може призвести до втрати рівноваги або контакту з гарячими поверхнями.
- Тримайте всі частини вашого тіла подалі від рухомої частини.
- Перед запуском продукту, переконайтеся, що ріжучі леза не вступають в контакт з чим-небудь.
- При роботі триммером для живоплоту на держалі, завжди міцно тримайте його обома руками за дві ручки і переконайтеся, що робоче положення є надійним і безпечним. Виробник не рекомендує використовувати сходи або дробини. Якщо потребується обрізання на висоті, скористайтеся подовжувачем.
- Леза дуже гострі. При обслуговуванні вузла лез, надягайте неслизькі, надміцні захисні рукавички. Не кладіть руку або пальці між лезами або в будь-якому положення, де вони можуть бути защемлені або порізані. Ніколи не торкайтеся леза або не

обслуговуйте пристрій, якщо акумулятор не був видалений.

- Вимкніть та вийміть акумуляторну батарею перед:
  - регулювання робочого положення ріжучого пристрою
  - очищення або розчищення засмічення
  - залишенням продукту без нагляду
  - перевірка, технічне обслуговування або робота з виробом.
- Не прощтовхуйте триммер для живоплоту на держалі через масивні чагарники. Це може призвести до заплутування лез і сповільнення. Якщо леза сповільнюються, зменшіть темп.
- Не намагайтеся різати стебла або гілочки, які товщиною більше 18 мм (RHT1851R15, RHT1851R20, RHT1851R25, OHT1851R), 22 мм (RHT1855R40, OHT1855R), або ті, очевидно, занадто великі, щоб поміститися в ріжучому лезі. Використовуйте ручну пилу без живлення або ножівку для обрізки великих стовбурів.
- Не використовуйте прилад з пошкодженим або надмірно зношеним ріжучим пристроєм.

#### ⚠ Попередження

Якщо продукт впаде, постраждав від важкого впливу або починає вібрувати, негайно зупиніть обладнання та перевірте на наявність пошкоджень або визначте причину вібрації. Будь-яке пошкодження має бути правильно відремонтовано або замінено в авторизованому сервісному центрі.

#### ТРАНСПОРТУВАННЯ ТА ЗБЕРІГАННЯ

- Зупиніть продукт, вийміть акумулятор і дозвольте обом охолонути перед зберіганням або транспортуванням.
- Очистіть всі сторонні матеріали з продукту. Зберігайте його в сухому прохолодному і добре провітрюваному місці, недоступному для дітей. Для додаткової безпеки, зберігайте батарею окремо від продукту. Зберігати подалі від агресивних агентів, таких як садові хімікати і солей проти обледеніння. Не зберігайте на відкритому повітрі.
- Накрийте лезо протектором леза, перш ніж зберігати пристрій, або під час транспортування.
- Для транспортування, забезпечіть машину від руху або падіння, щоб запобігти травми людей або пошкодження машини.

#### ПЕРЕВЕЗЕННЯ ЛІТЄВИХ БАТАРЕЙ

Здійсніть транспортування акумуляторної батареї відповідно до місцевих та загальнодержавних норм і правил.

Дотримуйтеся всі спеціальні вимоги до упаковки і маркування при транспортуванні батареї третьою стороною. Переконайтеся, що під час транспортування акумулятор не вступає в контакт з іншими акумуляторними батареями або струмопровідними матеріалами та захистіть відкриті роз'єми ізоляційними



непровідними кришками або стрічкою. Чи не переносьте акумулятори, тріснуті або бігу. Зв'язатися з нами для отримання подальших рекомендацій.

## ТЕХНІЧНЕ ОБСЛУГОВУВАННЯ

### ⚠ Попередження

Використовуйте тільки оригінальні запасні частини, аксесуари та обладнання від виробника. Невиконання цієї вимоги може привести до можливої травми, поганої продуктивності та може призвести до втрати гарантії.

### ⚠ Попередження

Обслуговування вимагає крайньої обережності і знання і повинно бути виконане тільки кваліфікованим фахівцем. Для обслуговування, ми пропонуємо вам повернути продукт в найближчий авторизований сервісний центр для ремонту. При технічному обслуговуванні використовуйте тільки ідентичні заміні частини.

### ⚠ Попередження

Леза дуже гострі. Для запобігання травм, проявляйте крайню обережність при чистці, змащенні і встановленні або видаленні протектора леза.

- Зніміть акумулятор перед регулюванням, технічним обслуговуванням і чисткою.
- Ви можете зробити регулювання та ремонт, описані в цьому посібнику користувача. Для інших ремонтних робіт, зверніться до авторизованого сервісного агента.
- Після кожного використання, очистіть основну частину і ручки продукту м'якою сухою тканиною.
- Після кожного використання, очистіть леза від сміття жорсткою щіткою, а потім ретельно нанесіть мастило від іржі перед установкою протектора леза. Виробник рекомендує використовувати антикорозійний та змащувальний спрей для нанесення рівним шаром та зменшення ризику травм внаслідок контакту з лезами. Для отримання інформації про відповідний аерозольний продукт, зв'яжіться з вашим місцевим уповноваженим сервісним центром.
- Ви можете злегка змащувати леза перед використанням, якщо необхідно, використовуючи метод, описаний вище.
- Перевірте всі гайки, болти і гвинти після короткого проміжка часу на правильну герметичність, щоб забезпечити продукт у безпечному робочому стані. Будь-яка пошкоджена деталь, має бути правильно відремонтована або замінена в авторизованому сервісному центрі.

## НЕПЕРЕДБАЧЕНІ РИЗИКИ

Навіть за належного використання інструмента неможливо повністю нейтралізувати певні фактори залишкового ризику. Наступні небезпеки можуть виникати при використанні продукту та оператору слід звернути особливу увагу, щоб уникнути наступного:

- травми від контакту з лезами
  - Контакт з лезами може призвести до серйозних травм. Тримайте лезо подалі від себе та інших. Накривайте його захисним щитком завжди, коли ви не працюєте.
- Травми спричинені вібрацією.
  - Завжди використовуйте правильний інструмент для роботи, використовуйте призначені ручки і обмежіть час роботи і вплив.
- Під впливом шуму може виникнути пошкодження слуху.
  - Надягайте захист для органів слуху та лімітуйте вплив.

## ЗНИЖЕННЯ РИЗИКУ

Відомі випадки, коли вібрація від ручних інструментів сприяє появі так званого синдрому Рейно. Симптоми схожі на ті, що з'являються під впливом холоду, включаючи поколювання, оніміння та збліднення пальців. Вважається, що спадкові чинники, вплив холоду і сирості, харчування, куріння і деякі звички роботи сприяють розвитку цих симптомів. Можна прийняти деякі заходи, які можуть бути прийняті оператором, щоб зменшити вплив вібрації:

- Підтримувати температуру тіла в холодну погоду. При використанні інструменту надягайте рукавички, щоб тримати руки та зап'ястки у теплі.
- Вправа для активації кровообігу після кожного запуску.
- Регулярно йдуть на перерву. Лімітуйте кількість роботи на день.

Якщо ви виявили будь-який з цих симптомів, негайно припиніть використання і зверніться до вашого лікаря згідно цих симптомів.

### ⚠ Попередження

Тривале використання інструменту може призвести до травмування або загострення існуючої травми. При використанні приладу протягом тривалого періоду часу, часті перерви.

## ОПИС

Дивіться сторінку 128.

## ЧАСТИНИ

1. Задня ручка
2. Клямка
3. Кнопка блокування повороту рукоятки
4. Передня ручка
5. Перемикач, що сигналізує про наявність оператора
6. Захист
7. Сміттєзбірник HedgeSweep™
8. лезо

- 9. Кришка леза
- 10. Акумуляторна батарея
- 11. Кнопка засувки акумулятора
- 12. Зарядний пристрій

### СИМВОЛИ НА ПРОДУКТІ



Попередження



Перед початком роботи с пристроєм уважно прочитайте інструкції.



Одягайте засоби для захисту слуху.



Одягайте захисні окуляри



Завжди тримайте виріб обома руками при роботі.



Носіть неслизькі, надміцні рукавички.



Для запобігання серйозних травм не торкайтеся лез.



Не піддавайте впливу дощу або вологих умов.



Остерігайтеся кинутих або літаючих об'єктів. Тримайте всіх перехожих, особливо дітей і домашніх тварин, принаймні 15 м від робочої зони.



Відповідає всім нормативним стандартам в країнах ЄС, де виріб було придбано.



Євразійська знак відповідності.



Український знак відповідності



Гарантований рівень звуку, показаний на цьому малюнку, становить 94 дБ.



Не викидати відпрацьовані електричні прилади разом із побутовими відходами. Утилізувати у спеціально призначених закладах. За консультацією по утилізації приладу зверніться до органу місцевої влади або дилера

### СИМВОЛИ В ЦЬОМУ ПОСІБНИКУ



Запчастини та аксесуари, що продаються окремо



ПРИМІТКА



Попередження

Наступні сигнальні слова і змісти призначені для пояснення рівнів ризику, пов'язаних з продуктом.

#### ⚠ НЕБЕЗПЕКА

Вказує на неминуче небезпечну ситуацію, яка, якщо її не уникнути, може призвести до смерті або серйозних травм.

#### ⚠ Попередження

Вказує на потенційно небезпечну ситуацію, яка, якщо її не уникнути, може призвести до смерті або серйозних травм.

#### ⚠ УВАГА

Вказує на потенційно небезпечну ситуацію, яка, якщо її не уникнути, може призвести до легкої або середньої травми.

#### УВАГА

Без попереджуючих символів

Вказує на ситуацію, яка може призвести до пошкодження майна.

EN  
FR  
DE  
ES  
IT  
NL  
PT  
DA  
SV  
FI  
NO  
RU  
PL  
CS  
HU  
RO  
LV  
LT  
ET  
HR  
SL  
SK  
BG  
UK  
TR

Kablosuz çit budama makinenizin tasarımında güvenlik, performans ve güvenilirliğe en yüksek öncelik verilmiştir.

### KULLANIM AMACI

Bu ürün sadece açık alanda kullanıma yöneliktir. Güvenlik nedenleriyle ürün iki elle kullanılarak uygun şekilde kontrol edilmelidir.

Ürün evde veya domestik kullanım için tasarlanmıştır. Bu ürün çalı çitleri, bodur ağaçları ve benzer bitkileri kesmeye ve budamaya yöneliktir.

Kuru, aydınlatmanın iyi olduğu durumlarda kullanılmalıdır.

Çim kesmeye, ağaç veya dalları budamaya yönelik DEĞİLDİR. Çit budama dışında herhangi bir amaçla kullanılmamalıdır.

### GENEL GÜVENLİK UYARILARI

#### ⚠ UYARI

**Tüm güvenlik uyarılarını ve tüm talimatları okuyun.** Uyarılara ve talimatlara uymamak elektrik çarpması, yangın ve/veya ciddi yaralanma ile sonuçlanabilir. İleride başvurmak üzere tüm uyarıları ve talimatları saklayın.

Uyarılarda yer alan "elektrikli alet" terimi şebeke gücüyle çalıştırılan (kablolu) elektrikli aleti veya pille çalıştırılan (kablosuz) elektrikli aleti ifade eder.

### ÇALIŞMA ALANI GÜVENLİĞİ

- Çalışma alanını temiz tutun ve iyi şekilde aydınlatın. Dağınık veya karanlık alanlar kazaya davetiye çıkarır.
- Elektrikli aletleri yanıcı sıvıların, gazların veya tozun mevcut olduğu patlayıcı atmosferlerde kullanmayın. Elektrikli aletler tozu veya buharları ateşleyebilecek kıvılcımlar oluşturur.
- Bir elektrikli alet kullanırken çocukları ve çevredeki insanları uzaklaştırın. Dikkat dağınıklığı kontrolü kaybetmenize neden olabilir.

### ELEKTRİKSEL GÜVENLİK

- Elektrik fişleri prize uygun olmalıdır. Fişi hiçbir zaman hiçbir şekilde değiştirmeyin. Topraklı elektrikli aletlerle birlikte herhangi bir adaptörlü fiş kullanmayın. Üzerinde değişiklik yapılmayan fişler ve uygun prizler elektrik çarpması riskini azaltır.
- Vücudunuzla borular, radyatörler, kuzine ve buzdolabı gibi topraklı ürünlere temas etmekten kaçının. Vücudunuz topraklanırsa yüksek elektrik çarpması riski mevcuttur.
- Ürünü yağmura veya ıslak koşullara maruz bırakmayın. Elektrikli alete su girmesi elektrik çarpması riskini artırır.
- Kabloyu amacı dışında kullanmayın. Kabloyu hiçbir zaman elektrikli aleti taşımak, çekmek veya fişten çıkarmak için kullanmayın. Kabloyu ısıdan, yağdan, keskin kenarlardan veya hareketli parçalardan uzak tutun. Hasarlı veya dolanmış kablolar elektrik çarpması riskini artırabilir.
- Bir elektrikli aleti açık alanda kullanırken açık alanda kullanıma uygun bir uzatma kablosu kullanın. Açık

alanda kullanıma uygun bir kablo kullanmak elektrik çarpması riskini azaltır.

- Eğer bir elektrikli aleti nemli bir yerde kullanmanız kaçınılmazsa bir artık akım cihazı (RCD) korumalı kaynak kullanın. Bir RCD kullanmak elektrik çarpması riskini azaltır.

### KİŞİSEL GÜVENLİK

- Bir elektrikli alet kullanırken dikkatli olun, yaptığınız işe dikkat edin ve sağduyulu olun. Yorgunken veya uyuşturucu, alkol veya ilaç etkisi altındayken bir elektrikli alet kullanmayın. Elektrikli aletleri kullanırken bir anlık dikkatsizlik ciddi fiziksel yaralanma ile sonuçlanabilir.
- Kişisel koruyucu ekipman kullanın. Koruyucu gözlük takın. Uygun koşullarda kullanılan toz maskesi, kaymaz güvenlik ayakkabıları, kask veya kulak tıkacı fiziksel yaralanma riskini azaltacaktır.
- Kazara çalıştırılmasını önleyin. Aleti yerinden alırken veya taşırken güç kaynağına ve/veya pil takımına bağlamadan önce anahtarın kapalı konumda olduğundan emin olun. Elektrikli aletleri parmağınız anahtarın üzerindenken veya anahtarlı elektrikli aletlerin gücü açıkken taşımak tehlikeye davetiye çıkarır.
- Elektrikli aleti açmadan önce ayar kamasını veya anahtarını çıkartın. Bir ayar anahtarının veya kamanın elektrikli aletin döner parçasına takılı hâlde bırakılması fiziksel yaralanma ile sonuçlanabilir.
- Yukarıya doğru erişmeye çalışmayın. Yere sağlam basın ve dengenizi her zaman koruyun. Bu, beklenmedik durumlarda gücün daha iyi kontrol edilmesini sağlar.
- Uygun şekilde giyinin. Bol kıyafet giymeyin veya takı takmayın. Saçınızı, kıyafetinizi ve eldivenlerinizi hareketli parçalardan uzak tutun. Bol kıyafetler, takı veya uzun saç hareketli parçalara yakalanabilir.
- Eğer toz taşıyıcı ve toplama aparatları için bağlantı cihazları sağlanmışsa bunların doğru şekilde bağlandığından ve kullanıldığından emin olun. Toz toplama aparatı kullanmak tozdan kaynaklanan tehlikeleri azaltabilir.

### ELEKTRİKLİ ALET KULLANIMI VE BAKIMI

- Elektrikli aletin kapasitesini zorlamayın. Uygulamanız için doğru elektrikli aleti kullanın. Doğru elektrikli alet tasarlandığı işi daha iyi ve daha güvenli bir şekilde yapacaktır.
- Eğer anahtar açılıp kapanmıyorsa makineyi kullanmayın. Anahtarla kontrol edilemeyen her elektrikli alet tehlikelidir ve onarılmalıdır.
- Herhangi bir ayar yapmadan, aksesuarları değiştirmeden veya elektrikli aletleri depolamadan önce fişi güç kaynağından ve/veya pil takımını elektrikli aletten ayırın. Bu gibi önleyici güvenlik tedbirleri elektrikli aletin kazara çalışma riskini azaltır.
- Boş konumda olan elektrikli aletleri çocukların ulaşamayacağı yerde depolayın ve elektrikli aleti tanımayan veya bu talimatları bilmeyen kişilerin elektrikli aleti kullanmasına izin vermeyin. Elektrikli aletler eğitimli kullanıcıların elinde tehlikelidir.



- **Elektrikli aletlerin bakımını yapın.** Hareketli parçaların hiza kaymasını ve bağlantısını, parçaların kırık olup olmadığını ve elektrikli aletin çalışmasını etkileyebilecek diğer durumları kontrol edin. Eğer hasarlıysa elektrikli aleti kullanmadan önce onartın. Pek çok kaza bakımı kötü yapılmış elektrikli aletlerden kaynaklanır.
- **Kesici aletleri keskin ve temiz tutun.** Uygun şekilde bakımı yapılan keskin kesme kenarlarına sahip kesme aletlerinin sıkışma olasılığı daha azdır ve kontrol edilmesi daha kolaydır.
- **Elektrik aleti, aksesuarları ve alet uçlarını vb. çalışma koşullarını ve yapılacak çalışmayı dikkate alarak bu talimatlara uygun şekilde kullanın.** Elektrikli aleti amaçlananlar dışındaki çalışmalar için kullanmak tehlikeli bir durumun oluşmasına yol açabilir.

### PİLLİ ALET KULLANIMI VE BAKIMI

- **Sadece üretici tarafından belirtilen şarj cihazı ile şarj edin.** Tek bir pil takımı tipine uygun bir şarj cihazı başka bir pil takımı ile birlikte kullanıldığında yangın riski oluşturabilir.
- **Elektrikli aletleri sadece özel olarak belirtilmiş pil takımları ile birlikte kullanın.** Başka bir pil takımı kullanmak yaralanma ve yangın riski oluşturabilir.
- **Pil takımı kullanılmadığı zaman ataş, bozuk para, anahtar, çivi, vida ve diğer metal nesnelere gibi bir terminalden diğerine bağlantı oluşturabilecek diğer metal nesnelere uzak tutun.** Pil terminallerinin birlikte kısa devre yapması yanığa veya yangına neden olabilir.
- **Kötü koşullarda pilden sıvı boşalabilir; temas etmekten kaçının. Eğer kazara temas ederseniz temas eden yeri suyla yıkayın. Eğer sıvı gözlerinize temas ederse ek olarak tıbbi yardım alın.** Pilden boşalan sıvı tahrişe veya yanıklara neden olabilir.

### SERVİS

- **Elektrikli aletinizi sadece aynı yedek parçaları kullanarak nitelikli bir tamirciye onartın.** Bu, elektrikli aletin güvenliğinin muhafaza edilmesini sağlar.

### BİÇME MAKİNESİ UYARILARI

- **Vücudunuzun tüm uzuvlarını hareketli parçalardan uzak tutun.** Bıçaklar hareket halindeyken kesilmiş malzemeyi çıkarmayın ya da kesilecek malzemeyi tutmayın. Sıkışmış malzemeyi çıkarmaya çalışırken güç anahtarının kapalı olduğundan emin olun. Elektrikli aletleri kullanırken bir anlık dikkatsizlik ciddi fiziksel yaralanma ile sonuçlanabilir.
- **Ürünü kesici bıçaklar durmuş konumda, kulbundan tutarak taşıyın.** Kullanmadığınız zamanlarda ürünü taşıırken veya depolarken kesme cihazı koruyucusunu (kılıf) daima takın. Ürünün doğru kullanılması kesici aksamdan bedensel yaralanma ihtimalini düşürür.
- **Kesici aksam gizli teller ya da kendi kablosuyla temas edebileceği için elektrikli aleti sadece yalıtılmış kavrama yüzeylerinden tutun.** Kesici aksamın "akımlı" bir telle temas etmesi elektrikli aletin açtıktaki metal kısımlarının "akımlı" olmasına

ve operatörün elektrik çarpmasına maruz kalmasına neden olabilir.

### EK GÜVENLİK UYARILARI

- Bazı bölgeler ürünün bazı çalışmalarda kullanımına kısıtlama getiren yönetmeliklere sahiptir. Tavsiye için bölgenizdeki yetkili mercieye başvurun. Tüm talimatları okuyun.
- Her kullanım öncesi çalışma alanını temizleyin. Kesici aksama girebilecek ya da sıkışabilecek ip, ampul, tel veya kablo gibi bütün cisimleri uzaklaştırın.
- Çiti tel örgü gibi yabancı maddeler açısından kontrol edin.
- Ürünü direkler, binalar ya da benzer sabit cisimler yakınında kullanırken çok daha dikkatli olun.
- Fırlayan veya düşen nesnelere karşı dikkatli olun; çevredeki kişileri, çocukları ve hayvanları çalışma alanından en az 15 m uzaklaştırın.
- Çocukların ve eğitimsiz kişilerin bu üniteyi kullanmasına izin vermeyin.
- Kötü aydınlatmalı koşullarda kullanmayın. Kullanıcının potansiyel tehlikeleri belirlemesi için çalışma alanını net olarak görmesi gerekir.
- Ürünü kullanırken tüm elcıkların ve koruyucuların yerinde olduğundan daima emin olun. Hiçbir zaman eksik veya izin verilmeyen bir değişiklik yapılmış makineyi kullanmaya çalışmayın.
- Her kullanım öncesi tüm kontrollerin ve güvenlik cihazlarının doğru şekilde çalıştığından emin olun. Eğer "kapalı" anahtarı ürünü durdurmuyorsa ürünü kullanmayın.
- Her kullanım öncesi makineyi inceleyin. Gevşemiş tespit elemanları olup olmadığını kontrol edin. Tüm korkuluk ve tutamakların yerlerinde bulduklarından emin olun. Kullanmadan önce hasarlı parçaları değiştirin. Pil sızıntı olup olmadığını kontrol edin
- Üründe herhangi bir şekilde değişiklik yapmayın
- Bu ekipmanı kullanırken koruyucu gözlük ve kulak tıkacı takın. Eğer nesnelere düşme riskinin bulunduğu bir alanda çalışıyorsanız kask takılmalıdır.
- Uzun ağır iş pantolonu, botu ve eldiveni giyin. Bol kıyafetler, kısa pantolon giymeyin, herhangi bir takı takmayın veya çıplak ayakla kullanmayın.
- Saçlarınız uzunsa hareketli parçalara dolaşmasını önlemek için omuz seviyesinin üzerinde toplayın.
- Kulak tıkacı kullanımı uyarıları (sesler veya alarmlar) duyma kabiliyetinizi azaltır. Kullanıcı çalışma alanında yapılan işe ekstra dikkat etmelidir.
- Yakında benzer aletler kullanmak hem işitme kaybı riskini hem de diğer insanların çalıştığınız alana girme riskini artırır.
- Ürünü hiçbir zaman yorgunken, hastayken veya alkol, uyuşturucu veya ilaç etkisi altındayken kullanmayın.
- Yere sağlam basın ve dengede durun. Yukarıya doğru erişmeye çalışmayın. Yukarıya erişmeye çalışmak dengeyi kaybetmenize veya sıcak yüzeylere temas etmenize neden olabilir.
- Vücudunuzun tüm uzuvlarını hareketli parçalardan uzak tutun.



- Üniteyi çalıştırmadan önce: Kesici bıçakların hiçbir şeyle karşılaşmamasını sağlayın.
- Ürünü çalıştırırken mutlaka iki elinizle her iki kulbundan sıkıca tutun. Çalıştırma pozisyonunun güven ve sağlamlığından emin olun. Üretici, basamak veya merdiven kullanmanızı tavsiye etmez. Eğer daha yüksekte budama yapmanız gerekirse daha ileriye uzanan bir alet kullanın.
- Bıçaklar keskindir. Bıçak düzeneğini tutarken kaymaz, ağır işe yönelik koruyucu eldiven takın. Elinizi veya parmaklarınızı bıçakların arasına veya delinebilecekleri veya kesilebilecekleri herhangi bir yere koymayın. Pil takımı çıkarılmadıkça, bıçağa asla dokunmayın ya da ürüne bakım yapmayın.
- Aşağıdaki işlemlerden önce güç anahtarını kapatıp pil takımını çıkarın:
  - Bir tıkanıklığı temizlemeden veya gidermeden önce;
  - Makine üzerinde temizlik, bakım veya herhangi bir çalışma yapmadan önce
  - ürün gözetimsiz bıraktığınızda
  - ürünü kontrol etmeden, bakım veya başka bir çalışma yapmadan önce
- Çit budama makinesini sert bodur ağaçları budamak için zorlamayın. Aksi hâlde bıçakların körelmesine ve yavaşlamasına neden olabilir. Eğer bıçaklar yavaşlarsa hızını düşürün.
- 18 mm (RHT1851R15, RHT1851R20, RHT1851R25, OHT1851R), 22 mm (RHT1855R40, OHT1855R) den daha kalın veya kesme bıçağını beslemek için açıkça çok büyük gövdeleri veya ince dalları kesmeye çalışmayın. Büyük gövdeleri budamak için güç destekli olmayan bir el testeresi veya budama testeresi kullanın.
- Hasar görmüş veya çok aşınmış bir kesim cihazına sahip ürünü çalıştırmayın.

#### ⚠ UYARI

Eğer ürün düşerse, ağır darbe alırsa veya anormal şekilde titremeye başlarsa ürünü derhal durdurun ve hasara karşı inceleyin veya titreşimin nedenini belirleyin. Her tür hasar yetkili servis merkezi tarafından uygun şekilde onarılmalı veya değiştirilmelidir.

#### TAŞIMA VE DEPOLAMA

- Depolama ya da nakliyeden önce ürünü durdurun, pilini çıkarın ve soğumasını sağlayın
- Üründeki tüm yabancı maddeleri temizleyin. Çocukların erişemeyeceği serin, kuru ve iyi havalandırılan bir yerde depolayın. İlave güvenlik için, pili üründen ayrı bir yerde saklayın. Bahçe kimyasalları ve buz çözücü tuzlar gibi korozif maddelerden uzak tutun. Açık alanda depolamayın.
- Üniteyi depolamadan önce veya taşıma sırasında bıçağı bıçak koruyucu ile koruma altına alın.
- Taşınacağı zaman insanların yaralanmasını veya ürünün zarar görmesini önlemek amacıyla ürünü hareket etmemesi veya düşmesi için sabitleyin.

#### LİTYUM BATARYALARIN TAŞINMASI

Bataryayı yerel ve ulusal hükümlere ve yönetmeliklere uygun şekilde taşıyın.

Bataryalar üçüncü bir şahıs tarafından taşındığında ambalaj ve etiket üzerindeki tüm özel koşullara uyun. Açıktaki konnektörleri yalıtın, iletken olmayan başlıklar veya bant ile koruyarak hiçbir bataryanın taşıma sırasında diğer bataryalarla veya iletken malzemelerle temas etmediğinden emin olun. Çatlak veya sızdıran bataryaları taşımayın. Ek tavsiye için nakliye şirketi ile birlikte kontrol edin.

#### BAKIM

##### ⚠ UYARI

Sadece orijinal üreticinin yedek parçalarını, aksesuarlarını ve ek parçalarını kullanın. Aksi hâlde olası yaralanmalara, zayıf performansa neden olabilir ve garantinizi geçersiz kılabilir.

##### ⚠ UYARI

Servis çalışması en yüksek düzeyde dikkat ve bilgi gerektirir ve sadece nitelikli bir servis teknisyeni tarafından yapılmalıdır. Servis için ürünü onarım amacıyla size en yakın yetkili servis merkezi'ne göndermenizi öneriyoruz. Servis yapılırken sadece aynı yedek parçaları kullanın.

##### ⚠ UYARI

Bıçaklar keskindir. Bedensel yaralanmaları önlemek için, temizleme ve yağlama sırasında ya da bıçak koruyucusunu takıp çıkarırken azami dikkat gösterin.

- Ürünü ayarlamadan, bakımını yapmadan ya temizlemeden önce pil takımını çıkarın.
- Sadece bu kılavuzda açıklandığı şekilde ayar veya onarım yapabilirsiniz. Diğer onarımlar için yetkili servis temsilcisini arayın.
- Her kullanım sonrası ürünün gövdesini ve kulplarını yumuşak ve kuru bir bezle temizleyin.
- Her kullanımdan sonra bıçaklardaki kalıntıları sert bir fırça ile temizleyin ve ardından, bıçak koruyucuyu tekrar takmadan önce dikkatlice, paslanma önleyici bir yağlama maddesi sürün. Üretici, eşit bir dağıtım sağlamak ve bıçaklara temas nedeniyle yaralanmayı önlemek için bir paslanma önleyici ve yağlama spreyi kullanmanızı tavsiye etmektedir. Uygun sprey ürünü hakkında bilgi almak için yerel yetkili servis merkezinizle görüşün.
- Eğer gerekirse kullanmadan önce bıçakları, yukarıdaki yöntemi kullanarak yağlayabilirsiniz.
- Ürünün güvenli çalışma durumunda olduğundan emin olmak için tüm somunların, civataların ve vidaların doğru sıklıkta sık aralıklarla takıldığını kontrol edin. Hasarlı her tür parça yetkili servis merkezi tarafından uygun şekilde onarılmalı veya değiştirilmelidir.

## ARTIK RİSKLER

Ürün belirtilen şekilde kullanıldığında bile belirli artık risk faktörlerini tamamen ortadan kaldırmak mümkün değildir. Kullanım sırasında aşağıdaki tehlikeler ortaya çıkabilir ve kullanıcının aşağıdaki durumları önlemek için özellikle dikkatli olması gerekir:

- Bıçak nedeniyle oluşan yaralanma
  - Bıçakla temas ciddi fiziksel yaralanmalara neden olabilir. Bıçağı kendinizden ve başkalarından uzak tutun. Kesim işlemi gerçekleştirmiyorsanız bıçak koruyucusu ile kapatın.
- Titreşim nedeniyle yaralanma.
  - İş için her zaman doğru aleti kullanın, belirtilen saplardan tutun; çalışma ve maruz kalma süresini sınırlandırın.
- Gürültüye maruz kalma nedeniyle işitme kaybı meydana gelebilir.
  - Kulak tıkacı takın ve maruz kalma süresini sınırlandırın.

## RİSK AZALTMA

El aletlerinden kaynaklanan titreşimlerin belirli kişilerde Raynaud Sendromu adı verilen bir durumu etkilediği bildirilmiştir. Semptomlar içerisinde parmaklarda genellikle soğuğa maruz kaldığında açığa çıkan karıncalanma, hissizlik ve ağarma yer bulunabilir. Kalıtsal faktörler, soğuğa ve neme maruz kalma, diyet, sigara içme ve çalışma uygulamalarının hepsinin bu semptomların gelişimini etkilediği düşünülmektedir. Titreşim etkilerini azaltmak için kullanıcı tarafından alınabilecek önlemler vardır:

- Soğuk havada vücut ısınızı koruyun. Ürünü kullanırken ellerinizi ve bileklerinizi sıcak tutmak için eldiven giyin.
- Her kullanım süresinden sonra kan dolaşımını artırmak için egzersiz yapın.
- Sık çalışma molası verin. Günlük maruz kalma miktarını sınırlayın.

Eğer bu durumla ilgili herhangi bir semptom görürseniz çalışmayı derhal bırakın ve doktorunuza başvurun.

## ⚠ UYARI

Ürünün uzun süre kullanılması nedeniyle yaralanmalar meydana gelebilir veya kötüleşebilir. Herhangi bir alet uzun süre kullanıldığında düzenli molalar verdiğinizden emin olun.

## TANIM

Bkz. sayfa 128.

## PARÇALAR

1. Arka kulp
2. Tetik
3. Tutamak dönüş kilit butonu
4. Ön kulp
5. Operatör varlık anahtarı
6. Koruma
7. HedgeSweep™ kalıntı süpürü
8. Bıçak

9. Bıçak koruyucusu
10. Pili
11. Mandallı batarya düğmesi
12. Şarj cihazı

## ÜRÜN ÜZERİNDEKİ SEMBOLLER



Güvenlik ikazı



Lütfen makineyi çalıştırmadan önce talimatları dikkatlice okuyun.



Kulak tıkacı takın.



Koruyucu gözlük takın.



Çit budama makinesini kullanırken her zaman iki elinizle tutun.



Kaymaz, ağır iş eldiveni giyin.



Ciddi yaralanmaları önlemek için kesme bıçaklarına dokunmayın.



Ürünü yağmura veya nemli koşullara maruz bırakmayın.



Fırlayan ve sıçrayan nesnelere dikkat edin. Üçüncü şahısları, özellikle çocukları ve evcil hayvanları çalışma alanından en az 15 m uzakta tutun.



Ürünün satın alındığı AB ülkesindeki tüm düzenleyici standartlara uygundur.



EurAsian Uygunluk İşareti



Ukrayna uygunluk işareti.



Güvenceli ses gücü seviyesi bu etikette 94 dB olarak gösterilmektedir.



Atık elektrikli ürünler evsel atıklarla birlikte atılmamalıdır. Lütfen tesislerin mevcut olduğu yerlerde geri dönüştürün. Geri dönüşüm tavsiyesi için bölgenizdeki yetkili mercie veya satıcıya başvurun.

## BU KILAVUZDAKİ SEMBOLLER



Ayrı satılan parçalar veya aksesuarlar



Not



Uyari

Aşağıdaki işaret sözcükler ve anlamları bu ürünle ilişkili risk seviyelerinin açıklanmasına yöneliktir.

### ⚠ TEHLİKE

Önlenmemesi durumunda ölüm veya ciddi yaralanma ile sonuçlanacak ciddi tehlike içeren bir durumu gösterir.

### ⚠ UYARI

Önlenmemesi durumunda ölüm veya ciddi yaralanma ile sonuçlanabilecek potansiyel olarak tehlikeli bir durumu gösterir.

### ⚠ İKAZ

Önlenmemesi durumunda önemsiz veya orta derece yaralanma ile sonuçlanabilecek potansiyel olarak tehlikeli bir durumu gösterir.

### İKAZ

Güvenlik uyarısı sembolü olmadığında

Maddi hasarla sonuçlanabilecek bir durumu gösterir.

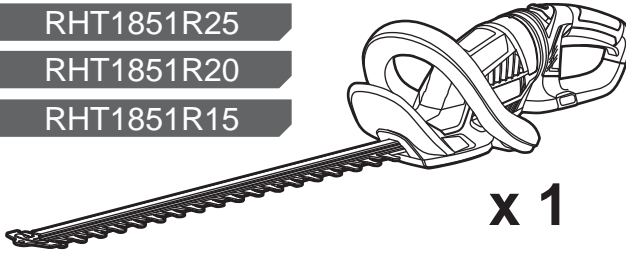


RHT1855R40

RHT1851R25

RHT1851R20

RHT1851R15

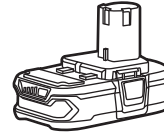


x 1

RHT1851R25

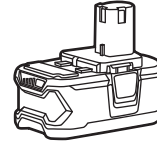
RHT1851R20

RHT1851R15



x 1

RHT1855R40



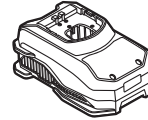
x 1



x 1



x 1



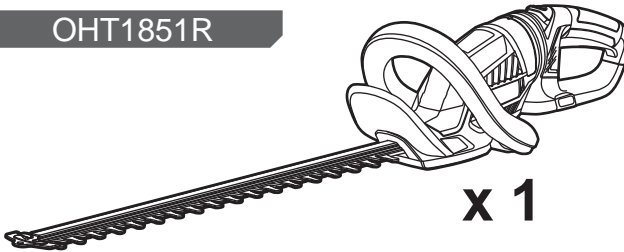
x 1



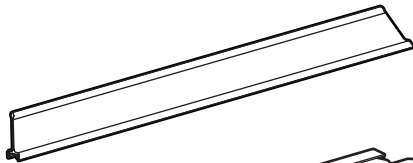
x 1

OHT1855R

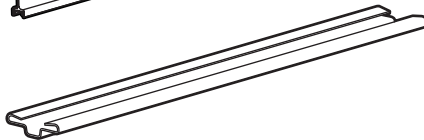
OHT1851R



x 1



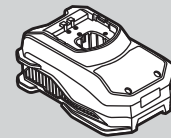
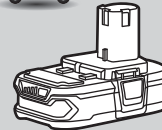
x 1

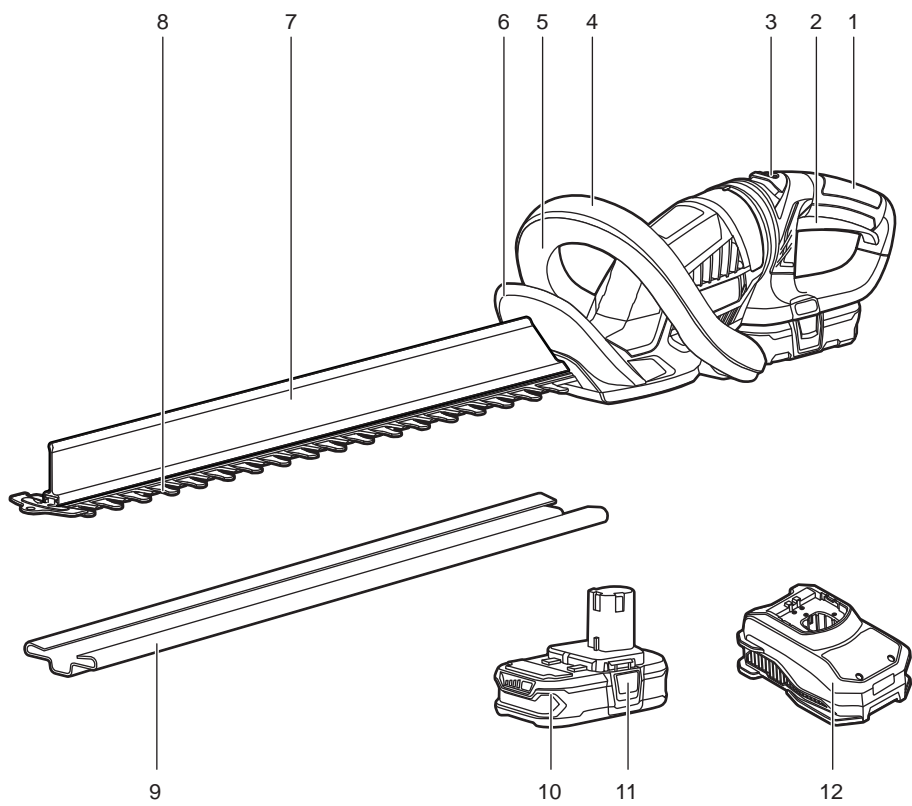


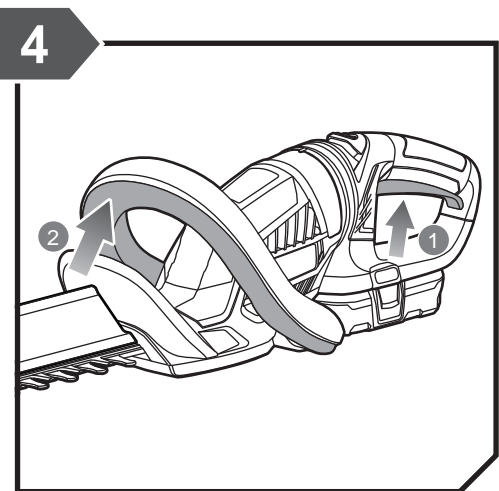
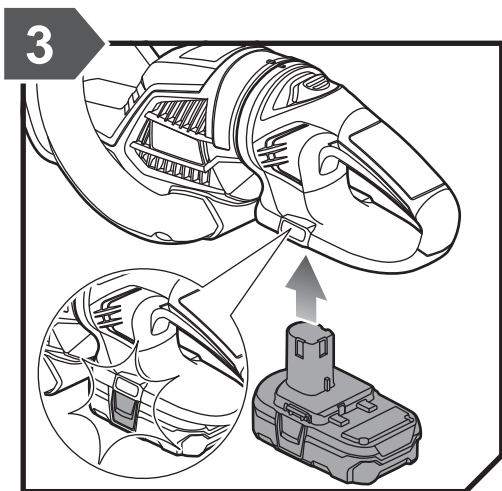
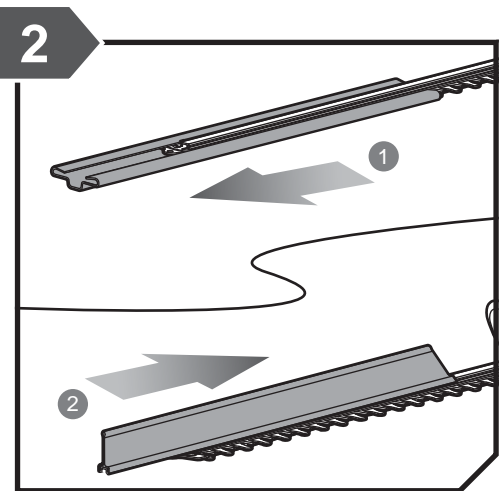
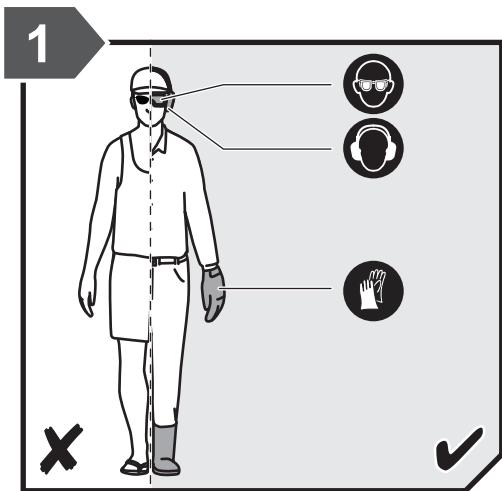
x 1

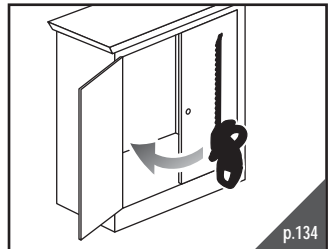
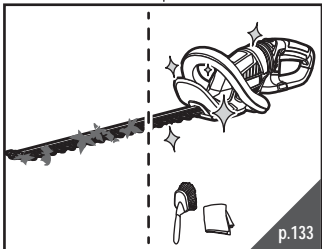
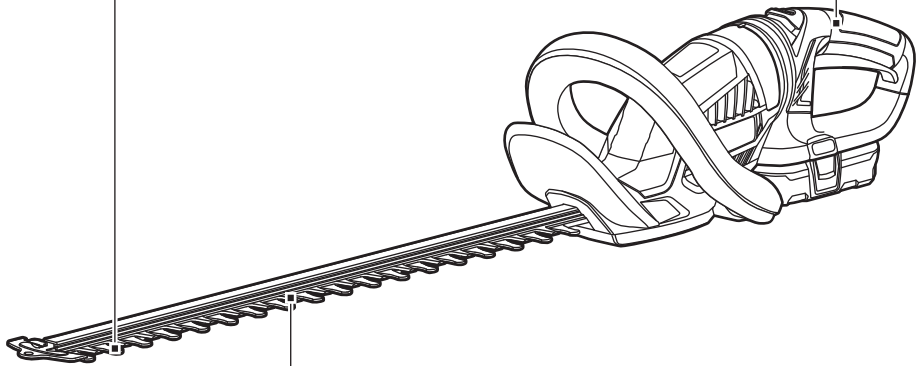
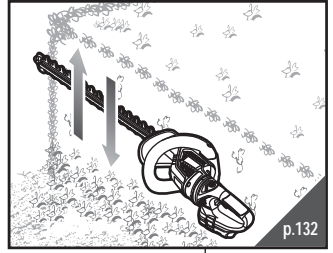
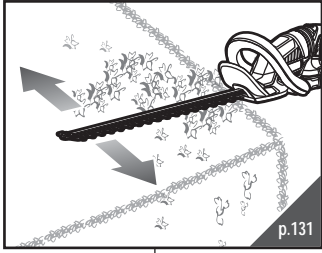


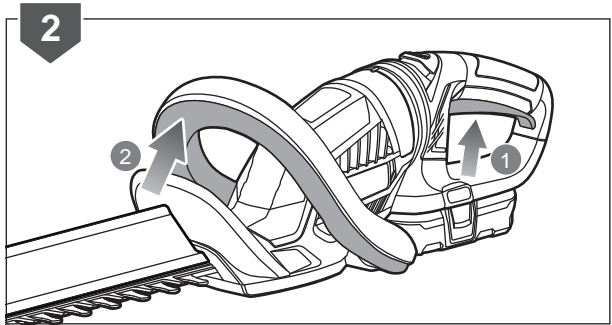
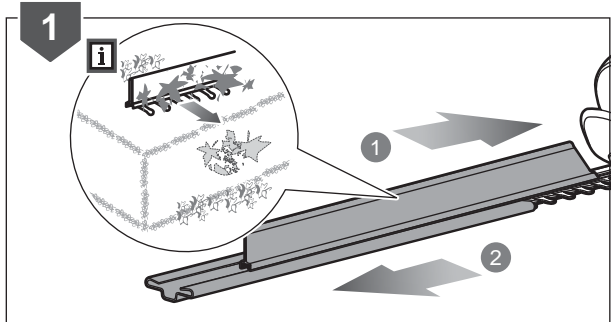
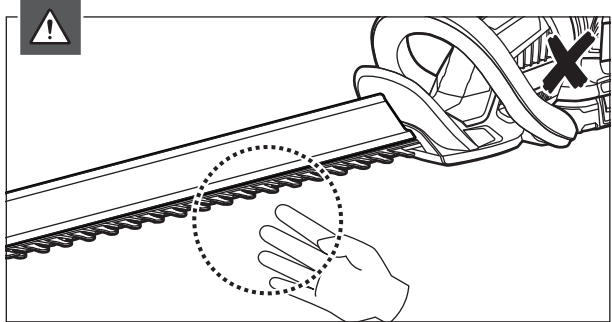
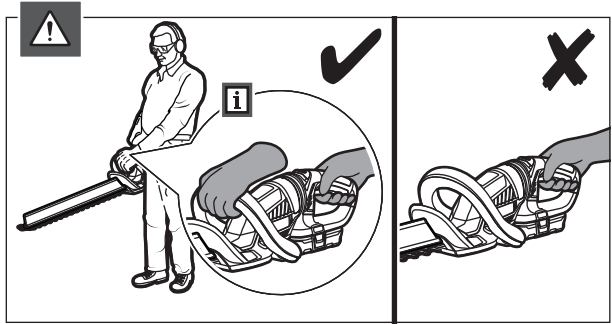
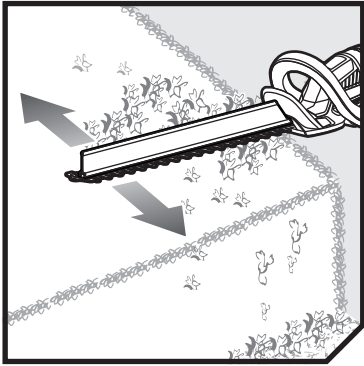
x 1

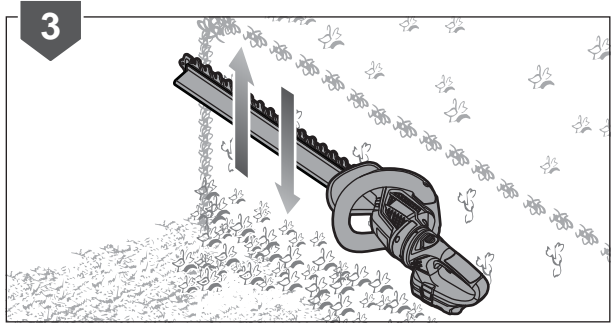
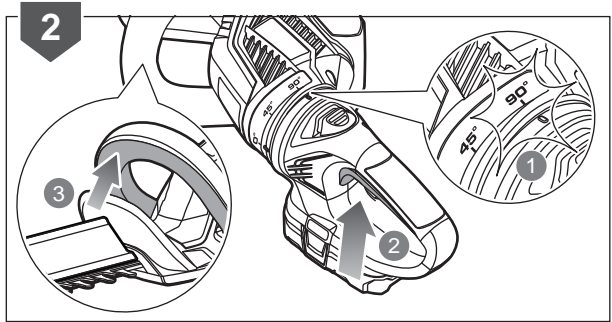
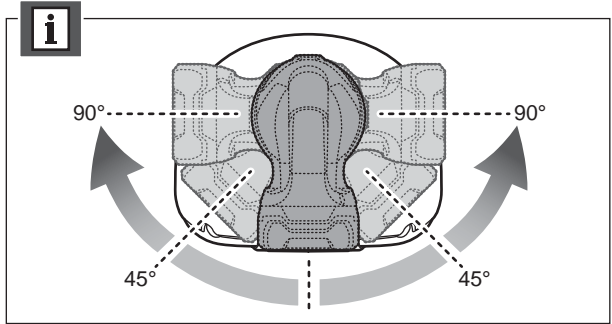
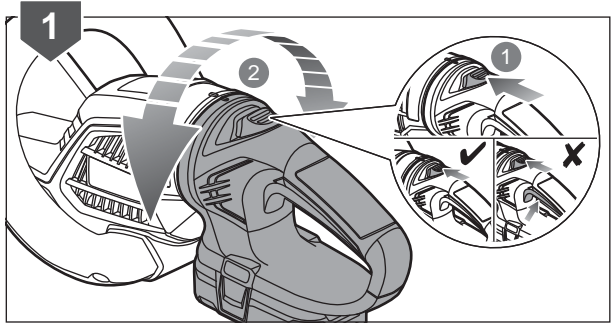
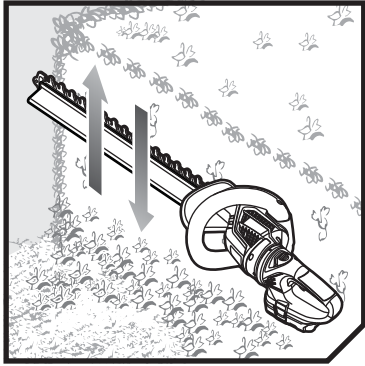


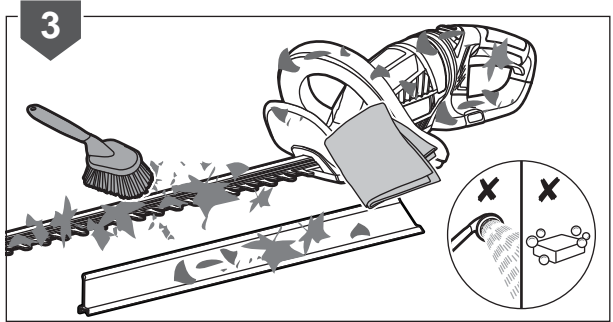
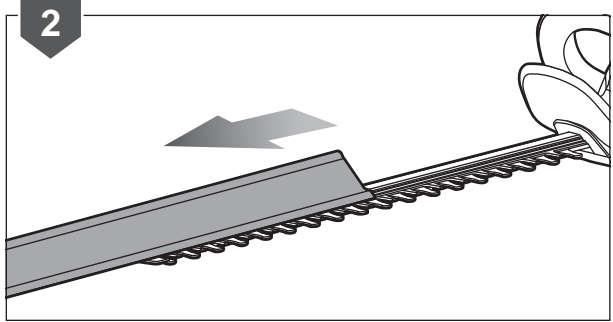
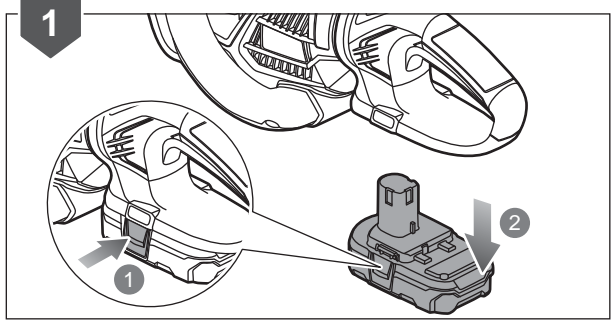
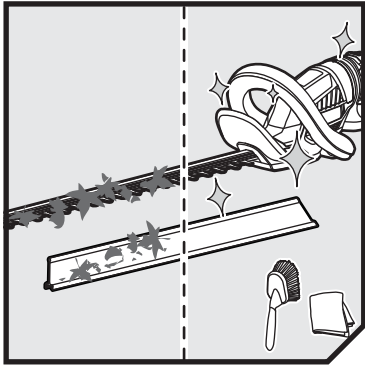


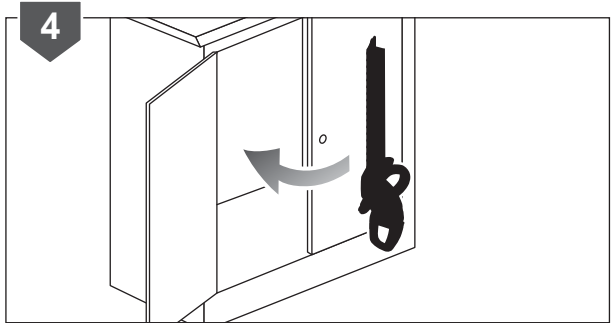
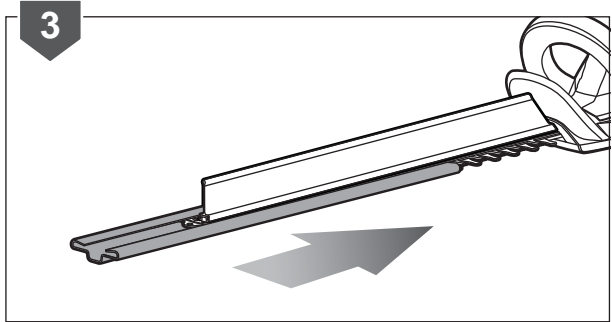
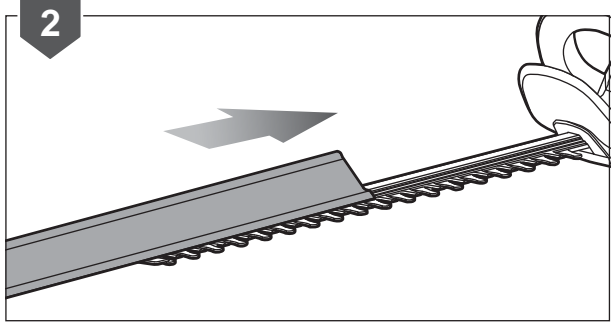
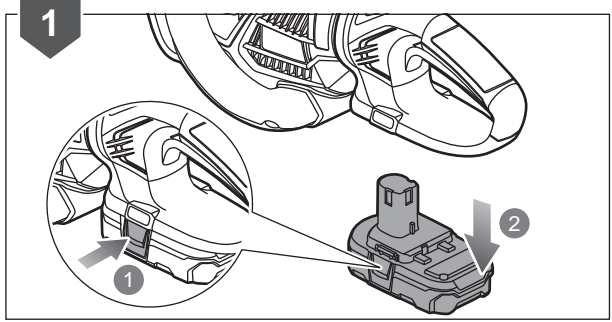
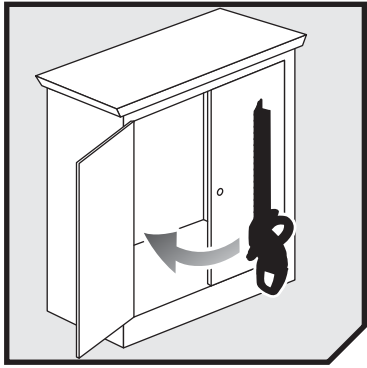


















English	Français	Deutsch	Español	Italiano	Nederlands	Português
<b>Product specifications</b>	<b>Caractéristiques produit</b>	<b>Produkt-Spezifikationen</b>	<b>Especificaciones del producto</b>	<b>Caratteristiche del prodotto</b>	<b>Productgegevens</b>	<b>Características do aparelho</b>
Cordless hedge trimmer	Taille-haies Sans-fil	Akku-Heckenschere	Cortasetos inalámbrico	Tagliasiepi senza cavo	Snoerloze heggeschaar	Aparador de Pontas Sem Fios
Model	Modèle	Modell	Modelo	Modello	Model	Modelo
Rated voltage	Tension nominale	Nennspannung	Tensión nominal	Voltaggio nominale	Toegekende spanning	Tensão nominal
No-load speed	Vitesse de rotation	Leerlaufgeschwindigkeit	Velocidad sin carga	Velocità senza carico	Snelheid zonder lading	Velocidade sem carga
Stroke rate at no load	Vitesse de rotation sans charge	Hubfrequenz ohne Last	Índice de desplazamiento sin carga	Frequenza di corsa senza carico	Slagsnelheid zonder belasting	Índice de tempos sem carga
Blade length	Longueur de la lame	Messerränge	Longitud de la cuchilla	Lunghezza lama	Snijbladlengte	Comprimento da lâmina
Cutting capacity	Capacité de coupe	Schnittbreite Durchmesser	Capacidad de corte	Capacità di taglio	Snijcapaciteit	Capacidade de corte
Vibration level (in accordance with EN 60745-1 and EN 60745-2-15)	Niveau de vibration (selon ISO 4871)	Vibrationsgrad (gemäß EN 60745-1, EN 60745-2-15)	Nivel de vibración (de acuerdo con ISO 4871)	Livello vibrazioni (in accordo con la direttiva ISO 4871)	Trillingsniveau (in overeenstemming met ISO 4871)	Nível de vibração (em conformidade com ISO 4871)
Vibration total value	Valeur totale des vibrations	Gesamtwert der Vibration	Valor total de vibración	Valore totale vibrazioni	Totale waarde trilling	Valor total da vibração
Uncertainty of measurement	Incertitude de la mesure	Unsicherheit der Messung	Incertidumbre de medición	Incertezza delle misurazioni	Onzekerheid bij meting	Incerteza de medições
Noise emission level (in accordance with EN 60745-1 and EN 60745-2-15)	Niveau d'émission sonore (selon ISO 4871)	Schallenergiepegel (gemäß EN 60745-1, EN 60745-2-15)	Nivel de emisión de ruido (de acuerdo con ISO 4871)	Livello di emissione rumore (in accordo con la direttiva ISO 4871)	Getuidemissieniveau (in overeenstemming met ISO 4871)	Nível de emissão de ruído (em conformidade com ISO 4871)
A-weighted sound pressure level	Niveau de pression sonore pondéré-A	A-bewerteter Schalldruckpegel	Nivel de presión acústica ponderada en A	Livello di pressione sonora pesato A	A-gewogen geluidsrukniveau	Nível de pressão sonora ponderada A
Uncertainty of measurement	Incertitude de la mesure	Unsicherheit der Messung	Incertidumbre de medición	Incertezza delle misurazioni	Onzekerheid bij meting	Incerteza de medições
A-weighted sound power level	Niveau de puissance sonore pondéré-A	A-bewerteter Schalleistungspegel	Nivel de potencia acústica ponderada en A	Livello di potenza sonora pesato A	A-gewogen geluidsniveau	Nível de potência sonora ponderada A
Uncertainty of measurement	Incertitude de la mesure	Unsicherheit der Messung	Incertidumbre de medición	Incertezza delle misurazioni	Onzekerheid bij meting	Incerteza de medições
Weight without battery pack	Poids (sans batterie)	Gewicht (ohne Akku)	Peso (sin la batería)	Peso (senza batterie)	Gewicht (zonder batterij)	Peso (sem a bateria)





Dansk	Svenska	Suomi	Norsk	Русский	Polski			
<b>Produktspecificationer</b>	<b>Produktspecificationer</b>	<b>Tuotteen tekniset tiedot</b>	<b>Produktspecificasjoner</b>	<b>Характеристики изделия</b>	<b>Parametry techniczne</b>			
Akku-hækkeklipper	Kabelfri häcksax	Langaton pensastrimmeri	Hekksaks uten ledning	Беспроводные шпалерные ножницы	Bezprzewodowa przycinarka do żywopłotów			
Model	Modell	Malli	Modell	Модель	Model	RHT1851R15/OHT1851R	RHT1851R20/RHT1851R25	RHT1855R40/OHT1855R
Mærkespænding	Spänning	Nimellisännite	Nominell spenning	Номинальное напряжение	Napięcie znamionowe	18 V DC		
Tomgangshastighed	Hastighet utan belastning	Nopeus ilman kuormaa	Tomgangshastighet	Холостая скорость	Prędkość obrotowa bez obciążenia	1 350/min		
Slaghastighed uden belastning	Slaghastighet utan belastning	Iskunopeus ilman kuormaa	Stempelslag ved tomgang	Частота вращения на холостом ходу	Prędkość skokowa bez obciążenia	2 700 spm		
Knivlængde	Bladets längd	Terän pituus	Bladlengde	Длина режущего полотна	Długość ostrza	500 mm	500 mm	550 mm
Skærekapacitet	Trimningskapacitet	Leikkauskapasiteetti	Klippekapasitet	Сокращение вместимости	Szerokość cięcia	18 mm	22 mm	22 mm
Vibrationsniveau (iht. ISO 4871)	Vibrationsnivå (enligt ISO 4871)	Tärinätao (standardin ISO 4871 mukaisesti)	Vibrasjonsnivå (iht. ISO 4871)	Уровень вибрации (в соответствии с ISO 4871)	Poziom wibracji (zgodnie z normą ISO 4871)			
Total vibrationsværdi	Totalvärde för vibration	Tärinän kokonaisarvo	Vibrasjon totalverdi	Суммарное значение вибрации	Łączna wartość wibracji	<2.5 m/s <sup>2</sup>		
Målingsusikkerhed	Osäkerhet för mätt	Mittausten epätarkkuus	Usikkerhet ved måling	Погрешность измерения	Niepewność pomiaru	1.5 m/s <sup>2</sup>		
Støjemissionsniveau (iht. ISO 4871)	Bullerutsläppsnivå (enligt ISO 4871)	Melutaso (standardin ISO 4871 mukaisesti)	Støyutslippsnivå (iht. ISO 4871)	Уровень шума (в соответствии с ISO 4871)	Poziom emisji hałasu (zgodnie z normą ISO 4871)			
A-vægtet lydtrykniveau	A-vägd ljudtrycksnivå	A-painotettu äänenpainetaso	A-vektet lydtryknivå	Уровень А-взвешенного звукового давления	A-ważony poziom ciśnienia hałasu	72.0 dB(A)		
Målingsusikkerhed	Osäkerhet för mätt	Mittausten epätarkkuus	Usikkerhet ved måling	Погрешность измерения	Niepewność pomiaru	3 dB		
A-vægtet lydeffektniveau	A-vägd ljudeffektsnivå	A-painotettu äänenteho	A-vektet lydeffektnivå	Уровень А-взвешенной звуковой мощности	A-ważony poziom natężenia hałasu	92.0 dB(A)		
Målingsusikkerhed	Osäkerhet för mätt	Mittausten epätarkkuus	Usikkerhet ved måling	Погрешность измерения	Niepewność pomiaru	3 dB		
Vægt (uden batteri)	Vikt (utan batteri)	Paino (ilman akkua)	Vekt (uten batteri)	Масса (без батарей)	Masa (Bez akumulatora)	2.7 kg		2.8 kg





Čeština	Magyar	Română	Latviski	Lietuviškai	Eesti	Hrvatski
<b>Technické údaje produktu</b>	<b>Termék műszaki adatai</b>	<b>Specificațiile produsului</b>	<b>Produkta specifikācijas</b>	<b>Gaminio techninės savybės</b>	<b>Toote tehnilised andmed</b>	<b>Specifikacije proizvoda</b>
Akumulátorové nůžky pro živý plot	Akkumulátoros sövényvágó	Foarfece de grădină fără fir	Bezvadu dzīvžogu trimmeris	Bevielė elektrinė gyvatvorės apkarpyimo mašinėlė	Aku-hekitrimmer	AKU trimmer za ogradu
Model	Típus	Model	Modelis	Modelis	Mudel	Model
Jmenovité napětí	Névleges feszültség	Tensiunea nominală	Nominālais spriegums	Nominali įtampa	Nimipinge	Nazivni napon
Rychlost naprázdno	Üresjárati fordulatszám	Viteză fără sarcină	Greitis be apkrovimo	Greitis be apkrovimo	Tühikäigukiirus	Brzina bez opterećenja
Počet taktů při chodu naprázdno	Ütésszám üresjáratban	Ritm cursă fără sarcină	Taktu skaits tukšgaitā	Kirčių dažnis nesant apkrovos	Käigusagedus ilma koormuseta	Brzina takta kad nema opterećenja
Délka žací lišty	Kés hossza	Lungimea lamei	Asmeņu garums	Geležties ilgis	Lõiketera pikkus	Duljina noža
Řezací kapacita	Vágási teljesítmény	Lungimea de tăiere	Griešanas dziļums	Pjovimo talpa	Lõikevõimsus	Duljina rezanja
Úroveň vibrací (v souladu s ISO 4871)	Vibrációs szint (az ISO 4871 szerint)	Nivel de vibrație (în conformitate cu ISO 4871)	Vibrācijas līmenis (saskaņā ar ISO 4871)	Vibracijos lygis (pagal ISO 4871 standartą)	Vibratsioonitase (vastavalt standardile ISO 4871)	Razina vibracija (u sklada s ISO 4871)
Hodnota celkových vibrací	Vibráció teljes értéke	Valoare totală vibrație	Vibrācijas kopējais apjoms	Bendra vibracijos vertė	Vibratsiooni koguväärtus	Ukupna vrijednost vibracija
Nejistota měření	Mérés bizonytalansága	Nesiguranța măsurătorii	Mērījuma nenoteiktība	Matavimo paklaida	Mõõtmismääramatus	Neodređenost mjerenja
Hladina emisie hluku (v souladu s ISO 4871)	Hangkibocsátási szint (az ISO 4871 szerint)	Nivel emisie zgomot (în conformitate cu ISO 4871)	Trokšņu emisijas līmenis (saskaņā ar ISO 4871)	Skleidžiamo triukšmo lygis (pagal ISO 4871 standartą)	Helivõimsuse tase (vastavalt standardile ISO 4871)	Razina emisija buke (u sklada s ISO 4871)
Hladina akustického výkonu vážená funkcí A	A-súlyozott hangnyomásszint	Nivel de presiune acustică ponderată A	A-līmeņa skaņas spiediena līmenis	A-svertinis garso galios lygis	A-kaalutud helirõhu tase	Ponderirana razina tlaka zvuka
Nejistota měření	Mérés bizonytalansága	Nesiguranța măsurătorii	Mērījuma nenoteiktība	Matavimo paklaida	Mõõtmismääramatus	Neodređenost mjerenja
Hladina akustického tlaku vážená funkcí A	A-súlyozott hangteljesítményszint	Nivel de putere acustică ponderată A	A-līmeņa skaņas jaudas līmenis	A-svertinis akustinis lygis	A-kaalutud helivõimsuse tase	Ponderirana razina zvučne snage
Nejistota měření	Mérés bizonytalansága	Nesiguranța măsurătorii	Mērījuma nenoteiktība	Matavimo paklaida	Mõõtmismääramatus	Neodređenost mjerenja
Hmotnost (bez baterie)	Tömeg (akkumulátor nélkül)	Greutate (fără acumulator)	Svars (bez baterijas)	Svoris (Be akumuliatorinės baterijos)	Kaal (ilma akuta)	Težina (bez baterije)





Slovensko	Slovenčina	България	Українська	Türkçe			
<b>Specifikacije izdelka</b>	<b>Špecifikácie produktu</b>	<b>Технически характеристики</b>	<b>Технічні характеристики продукту</b>	<b>Ürün teknik özellikleri</b>			
Brezžični obrezovalnik žive meje	Bezžablový strihač živého plotu	Безжичен хрсторез	Акумуляторні ножиці для живоплоту	Kablosuz git budama makinesi			
Model	Modelis	Модел	Модель	Model	RHT1851R15/ OHT1851R	RHT1851R20/ RHT1851R25	RHT1855R40/ OHT1855R
Nazivna napetost	Menovité napätie	Номинален волтаж	Номинальна напруга	Nominal voltaj	18 V DC		
Hitrost neobremenjenega motorja	Rýchlosť naprázdno	Скорост в ненатоварен режим	Швидкість без навантаження	Yüksüz hız	1 350/min		
Število udarcev brez obremenitve	Zdvihový pomer bez záťaže	Скорост на рязане в ненатоварен режим	Частота ходу без навантаження	Yüksüz darbe oranı	2 700 spm		
Dolžina rezila	Dĺžka ostria	Дължина на острието	Довжина ножа	Bıçak Uzunluğu	500 mm	500 mm	550 mm
Kapaciteta rezanja	Kapacita rezania	Капацитет на рязане	Різуча здатність	Kesme Kapasitesi	18 mm	22 mm	22 mm
Nivo vibracij (v skladu s standardom ISO 4871)	Úroveň vibrácií (podľa normy ISO 4871)	Ниво на вибрация (в съответствие с ISO 4871)	Рівень вібрації (відповідно до ISO 4871)	Titreşim seviyesi (ISO 4871 uyarınca)			
Skupna vrednost vibracij	Celková hodnota vibrácií	Обща стойност на вибрациите	Загальне значення вимірювання	Toplam titreşim değeri.	<2.5 m/s <sup>2</sup>		
Negotovost meritve	Nespolahlivosť meraní	Несигурност на измерването	Невизначеність вимірювання	Ölçüm bilinmiyor	1.5 m/s <sup>2</sup>		
Raven emisij hrupa (v skladu s standardom ISO 4871)	Úroveň emisii hluku (podľa normy ISO 4871)	Ниво на шумовите емисии (в съответствие с ISO 4871)	Рівень шуму (відповідно до ISO 4871)	Gürültü Emisyonu (ISO 4871 uyarınca)			
A-izmerjena raven zvočnega tlaka	Vážená A hladina akustického tlaku	Ниво на шумово налягане с равнище А	А-зважений рівень звукового тиску	A-ağırlıklı ses basınç seviyesi	72.0 dB(A)		
Negotovost meritve	Nespolahlivosť meraní	Несигурност на измерването	Невизначеність вимірювання	Ölçüm bilinmiyor	3 dB		
A-izmerjena raven zvočne moči	Vážená A hladina akustického výkonu	Ниво на силата на шума с равнище А	А-зважений рівень звукової потужності	A-ağırlıklı ses gücü seviyesi	92.0 dB(A)		
Negotovost meritve	Nespolahlivosť meraní	Несигурност на измерването	Невизначеність вимірювання	Ölçüm bilinmiyor	3 dB		
Teža (brez baterije)	Hmotnosť (bez akumulátora)	Тегло (без батерията)	Вага (без акумулятора)	Ağırlık (batarya hariç)	2.7 kg		2.8 kg





English	Français	Deutsch	Español	Italiano	Nederlands	Português	Dansk
<b>Battery and charger</b>	<b>Batterie et chargeur</b>	<b>Akku und Ladegerät</b>	<b>Batería y cargador</b>	<b>Batteria e caricatore</b>	<b>Accu en oplader</b>	<b>Bateria e carregador</b>	<b>Batteri og oplader</b>
Model	Modèle	Model	Modelo	Modello	Model	Modelo	Model
Battery Pack	Batterie	Akku	Batería	Batteria	Accu	Bateria	Batteri
Weight	Poids	Gewicht	Peso	Peso	Peso	Gewicht	Vikt
Charger	Chargeur	Ladegerät	Cargador	Caricatore	Lader	Carregador	Oplader
Weight	Poids	Gewicht	Peso	Peso	Peso	Gewicht	Vikt
Compatible Battery Packs	Packs Batterie Compatibles	Kompatible Akkus	Paquetes de batería compatibles	Gruppo batterie compatibili	Compatibele accupacks	Baterias Compatíveis	Kompatible batterier
Compatible Charger	Chargeur compatible	Kompatibles Ladegerät	Cargador compatible	Caricatore compatibile	Kompatibel oplader	Carregador compatível	Compatibele oplader



Čeština	Magyar	Română	Latviski	Lietuviškai	Eesti	Hrvatski	Slovensko
<b>Nabíječka a baterie</b>	<b>Akkumulátor és töltő</b>	<b>Bateria și încărcătorul</b>	<b>Akumulators un lādētājs</b>	<b>Akumulatorius ir įkroviklis</b>	<b>Aku ja laadija</b>	<b>Baterija i punjač</b>	<b>Baterija in polnilnik</b>
Model	Tipus	Model	Modelis	Modelis	Mudel	Model	Model
Baterie	Akkumulátor	Acumulator	Akumulators	Baterija	Aku paketīga	Baterija	Akumulator
Waga	Bec	Tőmeg	Teža	Težina	Mass	Masé	Svars
Nabíječka	Töltő	Încărcător	Lādētājs	Įkroviklis	Laadija	Punjač	Polniliec
Waga	Bec	Tőmeg	Teža	Težina	Mass	Masé	Svars
Kompatibilni akumulátory	Kompatibilis akkumulátorok	Acumulatori compatibili	Savietojami akumulatoru komplekti	Suderinami baterijos paketai	Ühilduvad akupaketid	Kompatibilna pakiranja baterija	Združljive baterije
Kompatibilní nabíječka	Kompatibilis töltő	Încărcător compatibil	Saderīgs lādētājs	Tinkamas įkroviklis	Ühilduv laadija	Kompatibilni punjač	Združljiv polniliec





Svenska	Suomi	Norsk	Русский	Polski					
Batteri och batteriladdare	Akku ja laturi	Batteri og lader	Акумуляторная батарея и зарядное устройство	Akumulator i ładowarka					
Modell	Malli	Modell	Модель	Model	RHT1855R40	RHT1851R25	RHT1851R20	RHT1851R15	OHT1855R/OHT1851R
Batteri	Akku	Batteri	Акумулятор	Akumulator	RB18L40	RB18L25	RB18L20	RB18L15	not included
Vægt	Vekt	Paino	Нмotност	Greutate	0.72 kg	0.45 kg	0.44 kg	0.45 kg	-
Batteriladdare	Laturi	Lader	Зарядное устройство	Ładowarka	BCL14181H				not included
Vægt	Vekt	Paino	Нмotност	Greutate	0.5 kg				-
Kompatibla batteripaket	Yhteensopivat akut	Kompatible batteripakker	Совместимая аккумуляторная батарея	Pasujące akumulatory	BPL-1815, BPL-1820, RB18L13, RB18L15, RB18L20, RB18L25, RB18L26, RB18L40, RB18L50				
Kompatibel laddare	Yhteensopiva laturi	Kompatibel lader	Совместимое зарядное устройство	Odpowiednia ładowarka	BC-1800, BC-1800M, BC1815S, BC1815SMG, ACR-1800, BCL-1800, BCL-1800G, BCL1418, BCL14181H, BCL14183H				



Slovenčina	България	Українська	Türkçe					
Akumulátor a nabijačka	Батерия и зарядно устройство	Акумулятор і зарядний пристрій	Pil ve şarj cihazı					
Modelis	Модел	Модель	Model	RHT1855R40	RHT1851R25	RHT1851R20	RHT1851R15	OHT1855R/OHT1851R
Batéria	Батерия	Акумуляторна батарея	Pili	RB18L40	RB18L25	RB18L20	RB18L15	not included
Hmotnosť	Тегло	Вага	Ağırlık	0.72 kg	0.45 kg	0.44 kg	0.45 kg	-
Nabijačka	Зарядно устройство	Зарядний пристрій	Şarj cihazı	BCL14181H				not included
Hmotnosť	Тегло	Вага	Ağırlık	0.5 kg				-
Kompatibilné jednotky akumulátorov	Съвместими батерии	Сумісні блоки батареї	Uyumlu pil takımları	BPL-1815, BPL-1820, RB18L13, RB18L15, RB18L20, RB18L25, RB18L26, RB18L40, RB18L50				
Kompatibilná nabijačka	Съвместимо зарядно устройство	Сумісний зарядний пристрій	Uyumlu şarj cihazı	BC-1800, BC-1800M, BC1815S, BC1815SMG, ACR-1800, BCL-1800, BCL-1800G, BCL1418, BCL14181H, BCL14183H				



## EN GUARANTEE

In addition to any statutory rights resulting from the purchase, this product is covered by a guarantee as stated below.

1. The guarantee period is 24 months for consumers and commences on the date when the product was purchased. This date has to be documented by an invoice or other proof of purchase. The product is designed and dedicated to consumer and private use only. So there is no guarantee provided in case of professional or commercial use.
2. There is, in some cases (i.e. promotion, range of tools), a possibility to extend the warranty period over the period described above using the registration on the [www.ryobitools.eu](http://www.ryobitools.eu) website. The eligibility of the tool is clearly displayed in stores and/or on packaging. The end user needs to register his/her newly-acquired tools online within 8 days from the date of purchase. The end user may register for the extended warranty in his country of residence if listed on the online registration form where this option is valid. Furthermore, end users must give their consent to the storage of the data which are required to enter online and they have to accept the terms and conditions. The registration confirmation receipt, which is sent out by e-mail, and the original invoice showing the date of purchase will serve as proof of the extended warranty. Your statutory rights remain unaffected.
3. The guarantee covers all defects of the product during the warranty period due to defaults in workmanship or material at the purchase date. The guarantee is limited to repair and/or replacement and does not include any other obligations including but not limited to incidental or consequential damages. The warranty is not valid if the product has been misused, used contrary to the instruction manual, or being incorrectly connected. This guarantee does not apply to
  - any damage to the product that is the result of improper maintenance
  - any product that has been altered or modified
  - any product where original identification (trade mark, serial number) markings have been defaced, altered or removed
  - any damage caused by non-observance of the instruction manual
  - any non CE product
  - any product which has been attempted to be repaired by an non-qualified professional or without prior authorization by Techtronic Industries
  - any product connected to improper power supply (amps, voltage, frequency)
  - any product used with inappropriate fuel mixture (fuel, oil, percentage of oil)
  - any damage caused by external influences (chemical, physical, shocks) or foreign substances
  - normal wear and tear of spare parts
  - inappropriate use, overloading of the tool
  - use of non-approved accessories or parts
  - carburettor after 6 months, carburettor adjustments after 6 months
  - components (parts and accessories) subject to natural wear and tear, including but not limited to bump knobs, drive belts, clutch, blades of hedge trimmers or lawn mowers, harness, cable throttle, carbon brushes, power cord, tines, felt washers, hitch pins, blower fans, blower and vacuum tubes, vacuum bag and straps, guide bars, saw chains, hoses, connector fittings, spray nozzles, wheels, spray wands, inner reels, outer spools, cutting lines, spark plugs, air filters, gas filters, mulching blades, etc.
4. For servicing, the product must be sent or presented to a RYOBI authorized service station listed for each country in the following list of service station addresses. In some countries your local RYOBI dealer undertakes to send the product to the RYOBI service organisation. When sending a product to a RYOBI service station, the product should be safely packed without any dangerous contents such as petrol, marked with sender's address and accompanied by a short description of the fault.
5. A repair/replacement under this guarantee is free of charge. It does not constitute an extension or a new start of the guarantee period. Exchanged parts or tools become our property. In some countries delivery charges or postage will have to be paid by the sender.
6. This guarantee is valid in the European Community, Switzerland, Iceland, Norway, Liechtenstein, Turkey and Russia. Outside these areas, please contact your authorized RYOBI dealer to determine if another warranty applies.

### AUTHORISED SERVICE CENTRE

To find an authorised service centre near you, visit <http://uk.ryobitools.eu/header/service-and-support/service-agents>.

## FR GARANTIE

En plus des droits statutaires liés à l'achat, ce produit est couvert par une garantie telle que décrite ci-dessous.

1. La durée de la garantie accordée au consommateur est de 24 mois à partir de la date d'achat. Cette date doit être authentifiée par une facture ou tout autre preuve d'achat. Le produit a été conçu en vue d'une utilisation strictement privée. Aucune garantie ne s'applique donc en cas d'utilisation professionnelle ou commerciale.
2. Il existe, dans certains cas (par exemple promotion, gamme d'outils), une possibilité d'étendre la période de garantie au-delà de la période précédemment décrite en utilisant le formulaire d'enregistrement présent sur le site Internet [www.ryobitools.eu](http://www.ryobitools.eu). L'éligibilité d'un outil est clairement affichée dans les points de vente et/ou sur l'emballage. L'utilisateur final doit enregistrer son/ses outil(s) nouvellement acheté(s) en ligne dans les 8 jours qui suivent la date d'achat. L'utilisateur a la possibilité de s'enregistrer pour l'extension de garantie dans son pays de résidence si celui-ci est listé dans le formulaire d'enregistrement en ligne où cette option est valide. L'utilisateur final doit donner son consentement pour l'enregistrement des données requises pour accéder au site et doit accepter les termes et conditions. La confirmation d'enregistrement, envoyée par courrier électronique, ainsi que la facture originale mentionnant la date d'achat serviront de preuve de l'extension de garantie. Vos droits statutaires restent inchangés.
3. La garantie couvre les défauts des pièces et de main d'oeuvre du produit pendant la période de garantie à partir de la date d'achat. La garantie n'inclut aucune autre obligation, tel que, mais sans s'y limiter, les dommages accessoires ou indirects. La garantie est non valable en cas de mauvaise utilisation du produit, d'utilisation contraire aux instructions du mode d'emploi, ou en cas de branchement incorrect. Cette garantie ne s'applique pas pour :
  - tout dommage au produit résultant d'un mauvais entretien
  - tout produit ayant été altéré ou modifié
  - tout produit dont les marquages originaux d'identification (marque, numéro de série) ont été dégradés, altérés ou retirés
  - tout dommage causé par le non-respect des instructions du mode d'emploi
  - tout produit non CE
  - tout produit ayant subi une tentative de réparation par du personnel non qualifié ou sans autorisation préalable de Techtronic Industries
  - tout produit raccordé à une alimentation secteur non conforme (ampérage, voltage, fréquence)
  - tout produit utilisé avec un mélange inapproprié (essence, huile, pourcentage d'huile)
  - tout dommage causé par des influences extérieures (chimiques, physiques, chocs) ou par des substances étrangères
  - l'usure normale des pièces consommables
  - une utilisation inappropriée, une surcharge de l'outil
  - l'utilisation de pièces ou accessoires non agréés
  - les carburateurs après plus de 6 mois à compter de la date d'achat, également les réglages du carburateur après plus de 6 mois à compter de la date d'achat
  - les composants (pièces et accessoires) sujets à une usure naturelle, incluant de façon non exhaustive les têtes de fil à frapper, les courroies de transmission, les embrayages, les lames des taille-haies ou des tondeuses à gazon, les harnais, les câbles d'accélérateur, les charbons, les cordons d'alimentation, les fraises de cultivateurs, les rondelles feutre, les goupilles de fraise, les turbines et lame de broyage des souffleurs, les tubes de soufflage et d'aspiration des souffleurs, les sacs de souffleurs et leurs lanières, les guides-chaîne, les chaînes de tronçonneuses, les tuyaux et raccords, les buses et lances de nettoyeurs haute pression, les roues, les recharges de fil des têtes de coupe, les têtes de coupe, le fil de coupe, les bougies d'allumage, les filtres à air, les filtres à essence, etc.
4. Si le produit doit être réparé, envoyez-le à un service après-vente agréé RYOBI dont vous trouverez ci-dessous la liste pour chaque pays. Dans certains pays, votre revendeur RYOBI se chargera d'envoyer le produit à un centre de réparation RYOBI. Lorsque vous envoyez un produit à un service après-vente RYOBI, celui-ci doit être correctement emballé, sans contenir aucun produit dangereux tel que de l'essence, et vous devez indiquer votre adresse ainsi qu'une courte description du problème.
5. Une réparation / un remplacement sous garantie est gratuit(e). Ceci ne constituera pas une extension de garantie ni un nouveau départ de la période de garantie. Les pièces ou les outils remplacés deviennent notre propriété. Dans certains pays, les frais de port devront être assumés par l'expéditeur.
6. Cette garantie est valable au sein de l'Europe, de la Suisse, de l'Islande, de la Norvège, du Liechtenstein, de la Turquie, de la Russie. En dehors de ces zones, veuillez contacter votre distributeur agréé RYOBI pour déterminer si une autre garantie s'applique.

### SERVICE APRÈS-VENTE AGRÉÉ

Pour trouver le service après-vente agréé le plus proche, rendez-vous sur <http://fr.ryobitools.eu/header/service-and-support/service-agents>.



## DE GARANTIE

Zusätzlich zu den aufgrund des Kaufs entstehenden gesetzlichen Rechten, ist dieses Produkt von der unten aufgeführten Garantie abgedeckt.

- Die Garantiezeit für Endverbraucher beträgt 24 Monate für und beginnt ab dem Kaufdatum des Produktes. Dieses Datum muss durch eine Rechnung oder einen anderen Kaufbeleg dokumentiert sein. Das Produkt ist ausschließlich für den Privatgebrauch entwickelt und bestimmt. Deshalb wird keine Garantie im Fall von professionellem oder kommerziellem Einsatz angeboten.
- In einigen Fällen (z.B. Promotion, auf eine bestimmte Produktpalette oder auf bestimmte Produkte begrenzt) besteht die Möglichkeit die Garantiezeit über den oben genannten Zeitraum, durch Registrierung auf der Webseite [www.ryobitools.eu](http://www.ryobitools.eu), zu verlängern. Der verlängerte Garantieanspruch für ein bestimmtes Produkt wird deutlich in den Geschäften und/oder auf der Verpackung des Produktes gezeigt. Der Endverbraucher muss seine neu gekauften Produkte innerhalb von 8 Tagen ab Kaufdatum registrieren. Der Endverbraucher kann sich für die erweiterte Garantie im Land seines permanenten Wohnsitzes registrieren, wenn diese Möglichkeit in dem Online-Formular gegeben ist. Des weiteren müssen die Endverbraucher ihr Einverständnis zur Speicherung der online angegebenen Daten geben und die Geschäftsbedingungen annehmen. Die per E-Mail verschickte Bestätigung der Registrierung und die Originalrechnung mit Kaufdatum dienen als Nachweis für die verlängerte Garantie. Ihre gesetzlichen Rechte bleiben unangetastet.
- Die Garantie deckt während der Garantiezeit ab Kaufdatum alle Produktmängel aufgrund von Material- oder Herstellungsmängeln ab. Diese Garantie ist auf Reparatur und/oder Ersatz beschränkt und enthält keine weiter Verpflichtungen einschließlich aber nicht beschränkt auf beiläufige oder resultierende Schäden. Die Garantie ist nicht gültig, wenn das Produkt missbräuchlich oder entgegen der Bedienungsanleitung benutzt, oder falsch angeschlossen wurde. Diese Garantie gilt nicht für:
  - Jegliche Schäden die an dem Produkt aufgrund falscher Wartung entstehen.
  - Jedes Produkt das verändert oder modifiziert wurde.
  - Jedes Produkt an dem die originale Identifizierung (Markenzeichen, Seriennummer) verunstaltet, verändert oder entfernt wurden.
  - Jede Beschädigung die durch Nichtbeachtung der Bedienungsanleitung verursacht wurde.
  - Jedes Produkt ohne CE Zeichen.
  - Jedes Produkt das von einer unqualifizierten Person oder ohne vorherige Genehmigung von Techtronic Industries versucht wurde zu reparieren.
  - Jedes Produkt das an eine falsche Stromversorgung (Ampere, Spannung, Frequenz) angeschlossen wurde.
  - Jedes Produkt das mit einer falschen Treibstoffmischung (Treibstoff, Öl, Prozentanteil von Öl) betrieben wurde.
  - Jede Beschädigung die von äußeren Einflüssen (chemisch, physisch, Stöße) oder fremden Substanzen verursacht wurde.
  - Normaler Verschleiß und Abnutzung von Ersatzteilen.
  - Zweckwidrige Benutzung, Überlastung des Werkzeugs.
  - Benutzung von nicht zugelassenem Zubehör oder Teilen.
  - Den Vergaser nach 6 Monaten, die Vergasereinstellung nach 6 Monaten.
  - Teile (Teile und Zubehörteile) die normalem Verschleiß unterliegen, einschließlich aber nicht beschränkt auf Fadenköpfe, Antriebsriemen, Kupplungen, Klängen von Heckenschneidern oder Rasenmähern, Gurtzeug, Gaszügen, Kohlebürsten, Netzkabel, Zinken, Filzunterlegscheiben, Anhangstifte, Gebläse, Gebläse- und Saugschläuche, Saugbeutel und Riemen, Führungsschienen, Sägeketten, Schläuche, Anschlüsse, Sprühdüsen, Räder, Sprühdüsen, innere Rollen, äußere Spulen, Schneidfäden, Zündkerzen, Luftfilter, Treibstofffilter, Mulchmesser usw.
- Zur Wartung muss das Produkt eingeschickt werden oder einem für jedes Land in der folgenden Liste aufgeführten autorisierten RYOBI Kundendienst gebracht werden. In einigen Ländern schickt Ihr örtlicher RYOBI Händler das Produkt an den RYOBI Kundendienst. Wenn ein Produkt an den RYOBI Kundendienst geschickt wird, sollte es sicher verpackt werden, ohne gefährlichen Inhalt, wie Treibstoff, mit der Absenderadresse versehen sein und eine kurze Beschreibung des Fehlers enthalten.
- Reparatur/Ersatz unter dieser Garantie sind kostenfrei. Das stellt keine Verlängerung oder Neustart der Garantiezeit dar. Ausgewechselte Teile oder Werkzeuge treten in unseren Besitz über. In einigen Ländern müssen Lieferkosten oder Postgebühren von dem Absender getragen werden.
- Diese Garantie gilt in der Europäische Gemeinschaft, Schweiz, Island, Norwegen, Liechtenstein, Türkei und Russland. Bitte kontaktieren Sie Ihren autorisierten RYOBI-Händler, um herauszufinden ob eine andere Gewährleistung außerhalb dieser Gebiete gültig ist.

### AUTORISIERTER KUNDENDIENST

Besuchen Sie <http://de.ryobitools.eu/header/service-and-support/service-agents>, um einen autorisierten Kundendienst in Ihrer Nähe zu finden.

## ES GARANTÍA

Además de cualquier derecho estatutario derivado de la compra, este producto está cubierto con la siguiente garantía.

- El período de garantía es de 24 meses para los consumidores y comienza a partir de la fecha de compra del producto. Esta fecha debe demostrarse con una factura u otra prueba de compra. El producto está diseñado y destinado al consumidor y únicamente para uso privado. Por tanto, no se ofrece ninguna garantía en caso de uso profesional o comercial.
- En algunos casos (como promociones o un conjunto de herramientas) existe la posibilidad de ampliar el período de garantía hasta el período descrito anteriormente mediante el registro en el sitio web [www.ryobitools.eu](http://www.ryobitools.eu). La elegibilidad de la herramienta se muestra claramente en las tiendas o en el embalaje. El usuario final debe registrar sus herramientas recién adquiridas en línea en los 8 días siguientes a la fecha de compra. El usuario final podrá registrarse para ampliar la garantía en su país de residencia si éste aparece en el formulario de registro en línea en que esta opción es válida. Además, los usuarios finales deben dar su consentimiento para que se guarden los datos que se solicitan para entrar en línea y aceptar los términos y condiciones. El recibo de la confirmación de registro, que se enviará por correo electrónico, y la factura original que muestre la fecha de compra servirán como prueba de la ampliación de la garantía. Sus derechos estatutarios permanecerán intactos.
- La garantía cubre, durante el período de garantía, todos los defectos del producto que se deban a fallos de la mano de obra o a fallos del material en la fecha de compra. La garantía tiene un límite de reparación o sustitución y no incluye ninguna otra obligación se deba a, aunque sin limitarse a ello, daños accidentales o incidentales. La garantía no es válida si se ha hecho un uso inadecuado del producto, si no se ha usado siguiendo el manual de instrucciones o si se ha conectado incorrectamente. Esta garantía no se aplica a:
  - cualquier daño del producto derivado de un mantenimiento inadecuado
  - cualquier producto que haya sido alterado o modificado
  - cualquier producto en el que las marcas de identificación originales (marca comercial, número de serie) hayan sido borradas, modificadas o eliminadas
  - cualquier daño causado por el incumplimiento del manual de instrucciones
  - cualquier producto que no sea CE
  - cualquier producto que haya intentado reparar un profesional no cualificado o sin una autorización previa de Techtronic Industries
  - cualquier producto conectado a un suministro eléctrico inadecuado (amperios, tensión, frecuencia)
  - cualquier producto utilizado con una mezcla de combustible inadecuada (combustible, aceite, porcentaje de aceite)
  - cualquier daño causado por influencias externas (de productos químicos, daños físicos, descarga eléctrica) o sustancias extrañas
  - desgaste o rotura normal de las piezas de repuesto
  - uso inadecuado, sobrecarga de la herramienta
  - uso de accesorios o piezas no homologados
  - carburador después de 6 meses, ajustes del carburador después de 6 meses
  - componentes (piezas y accesorios) sujetos a un desgaste o rotura natural, incluyendo, aunque sin limitarse a ello, las perillas de las bombas, correas de transmisión, embrague, cuchillas de cortasetos o cortacésped, arnés, acelerador, escobillas de carbón, cable de alimentación, horquillas, arandelas de fieltro, pasadores de enganche, ventiladores, tubos de ventilador y de vacío, correas y bolsas de vacío, barras de guía, sierras de cadena, mangueras, accesorios de conexión, boquillas pulverizadoras, ruedas, varas rioradoras, carretes interiores y exteriores, hilos de corte, bujías, filtros de aire, filtros de gas, cuchillas de trituración, etc.
- Para el servicio, el producto debe enviarse o entregarse en un punto de servicio técnico autorizado RYOBI enumerado para cada país en la siguiente lista de direcciones de servicio técnico. En algunos países su distribuidor local RYOBI se encarga de enviar el producto a la organización del servicio de RYOBI. Al enviar un producto a un punto de servicio técnico RYOBI, el producto debe embalarse de forma segura sin que contenga ninguna sustancia peligrosa como petróleo, debe llevar la dirección del remitente e ir acompañado de una breve descripción del fallo.
- Una reparación/sustitución dentro de esta garantía se realiza de forma gratuita. No constituye una ampliación ni un reinicio del período de garantía. Las piezas o herramientas que se cambian pasan a ser de nuestra propiedad. En algunos países los gastos de envío o del franqueo deberá pagarlos el remitente.
- Esta garantía es válida en la Comunidad Europea, Suiza, Islandia, Noruega, Liechtenstein, Turquía y Rusia. Fuera de estas zonas, póngase en contacto con su distribuidor autorizado RYOBI para determinar si se aplica otra garantía.

### SERVICIO TÉCNICO AUTORIZADO

Para encontrar el servicio técnico autorizado más cercano, visite <http://uk.ryobitools.eu/header/service-and-support/service-agents>.

## IT GARANZIA

Oltre ai legittimi diritti derivanti dall'acquisto del prodotto, quest'ultimo è coperto da garanzia come indicato nei seguenti punti.

1. Il periodo di garanzia per il consumatore è di 24 mesi ed ha inizio dalla data in cui il prodotto è stato acquistato. Questa data deve essere documentata da una ricevuta o da altra prova d'acquisto. Il prodotto è stato disegnato e progettato solo per l'utilizzo privato del consumatore. La garanzia viene invalidata in caso di utilizzo professionale o commerciale.
2. In alcuni casi (per esempio promozioni e gamme di prodotti) esiste la possibilità di estendere il periodo di garanzia oltre il periodo indicato sopra registrandosi sul sito web [www.ryobitools.eu](http://www.ryobitools.eu). L'idoneità del prodotto a rievolvere tale estensione viene indicata chiaramente nei punti vendita e/o sull'imballo. L'utente finale deve registrare il suo prodotto appena acquistato online entro 8 giorni dalla data d'acquisto. L'utente finale può accedere all'offerta nel suo paese quando la stessa è valida e qualora si sia registrato online. Inoltre, gli utenti finali devono dare il proprio consenso all'archiviazione dei dati che si inseriscono online indicando che i termini e le condizioni sono stati accettati. La ricezione della conferma della registrazione verrà inviata via email e la fattura originale indicante la data d'acquisto verrà utilizzata come prova della garanzia estesa. I diritti legittimi dell'utente rimarranno invariati.
3. La garanzia copre tutti i difetti di fabbricazione del prodotto durante il periodo di garanzia a causa di guasti di fabbricazione o di materiale alla data di acquisto. La garanzia è limitata alla riparazione e/o alla sostituzione e non include altri obblighi compreso ma non limitato a danni incidentali o consequenziali. La garanzia non è valida se il prodotto non è stato utilizzato come indicato nel manuale di istruzioni o se è stato collegato in maniera non corretta. La garanzia non si applica a:
  - qualsiasi danno al prodotto che sia il risultato di una scorretta manutenzione
  - qualsiasi prodotto che sia stato alterato o modificato
  - qualsiasi prodotto sul quale l'identificazione originale (marchio registrato, numero di serie) sia stata resa illegibile, sia stata danneggiata o alterata
  - qualsiasi danno causato dalla non osservanza del manuale d'istruzioni
  - qualsiasi prodotto non contrassegnato con il marchio CE
  - qualsiasi prodotto che una persona non qualificata abbia tentato di riparare o che si è tentato di riparare senza l'autorizzazione delle Techtronisianoc Industries
  - qualsiasi prodotto collegato a un'alimentazione non corretta (per amp, voltaggio, frequenza)
  - qualsiasi prodotto utilizzato con la miscela scorretta di carburante (carburante, olio, percentuale d'olio)
  - qualsiasi danno causato da agenti esterni (chimici, fisici o shock) o da sostanze estranee
  - normale usura di parti di ricambio
  - utilizzo non appropriato, sovraccaricamento di utensili
  - utilizzo non approvato di accessori o parti
  - carburatore dopo 6 mesi, regolazioni al carburatore dopo 6 mesi
  - componenti (parti e accessori) soggetti alla normale usura, compreso ma non limitato a manopole di avviamento a spinta, cinghie di trasmissione, frizione, lame di sfondatori o tagliaerba, cablaggio, cavo dell'acceleratore, spazzole al carbonio, cavi dell'alimentazione, lancette, rondelle in feltro, perni di aggancio, ventole del soffiatore, tubi del soffiatore e dell'aspirapolvere, sacchetti e cinghie dell'aspirapolvere, barre di guida, catene della motosega, tubi, raccordi del connettore, ugelli a spruzzo, ruote, bacchette a spruzzo, bobine interne, bobine esterne, fili di taglio, candele, filtri dell'aria, filtri del gas, lame di triturazione, ecc.
4. Per servizi di manutenzione, il prodotto dovrà essere mandato o presentato presso un punto di servizio clienti autorizzato RYOBI indicato nella seguente lista. In alcune nazioni il rivenditore RYOBI si occuperà di inviare il prodotto al più vicino servizio clienti Ryobi. Quando si invia un prodotto a un servizio clienti RYOBI, il prodotto dovrà essere correttamente imballato senza eventuali contenuti pericolosi quali carburanti, e contrassegnato con l'indirizzo della persona che lo ha inviato e accompagnato da una breve descrizione del problema riscontrato.
5. Si garantisce una riparazione/sostituzione gratuita quando il prodotto è coperto da garanzia. Questa sostituzione o riparazione non costituisce una estensione o un nuovo inizio di un periodo di garanzia. Le parti o l'utensile cambiati sono di proprietà della ditta. In alcune nazioni i costi di consegna o invio dovranno essere pagati dalla persona che spedisce.
6. Questa garanzia è valida all'interno della Comunità Europea, in Svizzera, Islanda, Norvegia, Liechtenstein, Turchia e Russia. Al di fuori di queste aree, si prega di contattare il proprio gestore autorizzato RYOBI per determinare se si applica un'altra garanzia.

### CENTRO SERVIZI AUTORIZZATO

Per individuare il più vicino centro servizi autorizzato, visitare il sito <http://uk.ryobitools.eu/header/service-and-support/service-agents>.

## NL GARANTIE

Bovenop de statutaire rechten als gevolg van de aankoop, wordt dit product gedekt door een garantie, zoals deze hieronder wordt beschreven.

1. De garantietermijn bedraagt 24 maanden voor consumenten en begint vanaf de datum waarop het product werd aangekocht. Deze datum moet worden gedocumenteerd door een factuur of ander aankoopbewijs. Het product is uitsluitend ontworpen en bedoeld voor particuliere gebruikers. De garantie vervalt bij professioneel of commercieel gebruik.
2. In enkele gevallen (vb. promotie, gereedschapsaanbod) bestaat er een mogelijkheid om de garantietermijn te verlengen met dezelfde periode als deze hierboven beschreven met behulp van de registratie op de website [www.ryobitools.eu](http://www.ryobitools.eu). Of het product al of niet in aanmerking komt, is duidelijk aangegeven in winkels en/of de verpakking. De eindgebruiker dient zijn/haar nieuw werktuig binnen de 8 dagen na de aankoopdatum online registreren. De eindgebruiker kan zich aanmelden voor de uitgebreide garantie in zijn verbliffsland als dit op het online registratieformulier is opgenomen wanneer deze optie geldig is. Bovendien moet de eindgebruiker zijn toestemming geven om informatie te gebruiken die nodig is om toegang te krijgen tot de website en dient de algemene voorwaarden te accepteren. Het ontvangstbewijs van dit registratieformulier, dat via e-mail wordt verzonden, en de originele factuur die de aankoopdatum vermeldt dienen als bewijs van de uitgebreide garantie. Uw statutaire rechten blijven onveranderd.
3. De garantie dekt alle defecten van het product gedurende de garantietermijn als gevolg van fouten in het werk of materiaal op de aankoopdatum. De garantie is beperkt tot de reparatie en/of vervanging en omvat geen andere verplichtingen waaronder, maar niet beperkt tot, incidentele of gevolgschade. De garantie is niet geldig als het product werd misbruikt, in tegenspraak met de gebruiksaanwijzing werd gebruikt of foutief werd verbonden. Deze garantie geldt niet voor:
  - schade aan het product als gevolg van foutief onderhoud
  - als het product op enigerlei wijze werd gewijzigd
  - als originele markeringen ter identificatie (handelsmerk, serienummer) van het product werden verwijderd of gewijzigd
  - voor schade als gevolg van het niet in acht nemen van deze gebruiksaanwijzing
  - een niet EC-product
  - een product, waaraan een niet-gekwalificeerde vakman reparaties uitvoerde of waaraan reparaties werden uitgevoerd zonder voorafgaande toestemming van Techtronic Industries
  - een product dat werd aangesloten aan een foutieve krachtbron (amps, spanning, frequentie)
  - een product dat met een ongeschikt brandstofmengsel (brandstof, olie, oliepercentage) werd gebruikt
  - schade veroorzaakt door externe invloeden (chemische, fysieke schokken) of vreemde stoffen
  - normale slijtage van reserve-onderdelen
  - foutief gebruik, overbelasting van het werktuig
  - gebruik van niet-goedgekeurde accessoires of onderdelen
  - de carburator na 6 maanden, carburatorafstellingen na 6 maanden
  - componenten (onderdelen en accessoires) die onderworpen zijn aan slijtage, met inbegrip van, maar niet beperkt tot stookknoppen, aandrijfriemen, koppeling, snijbladen van heggtrimmers of grasmaaimachines, harnassen, versnellingskabels, koolborstels, stroomsnoeren, tanden, viltrenen, trekpenen, ventilatoren, blazer- en vacuümhuizen, stofzuigzakken en –riemen, geleiders, zaagkettingen, slangen, connectoren, sproeimodellen, wielen, sproeiërs, inwendige spoelen, uitwendige spoelen, maaijlijnen, bougies, luchtfilters, gasfilters, struikruimbladen, etc.
4. Voor onderhoud moet het product naar een geautoriseerd RYOBI-onderhoudsstation worden gestuurd of gebracht. Een lijst met de adressen van deze stations per land is hier opgenomen. In bepaalde landen verzendt uw plaatselijke RYOBI-verdeler het product naar de RYOBI-onderhoudsorganisatie. Als een product naar een RYOBI-onderhoudsstation wordt gezonden, moet het product veilig zijn verpakt zonder gevaarlijke inhoud, zoals benzine, met aanduiding van het adres van de verzender en met inbegrip van een korte beschrijving van de fout.
5. Een reparatie/vervanging onder deze garantie is gratis. Dit heeft geen gevolgen voor de duur van deze garantie of betekent niet dat de garantie wordt verlengd of opnieuw begint. Vervangen onderdelen of werktuigen worden onze eigendom. In bepaalde landen moeten verzendings- of leveringskosten door de verzender worden betaald.
6. Deze garantie is geldig in de Europese Unie, Zwitserland, IJsland, Noorwegen, Liechtenstein, Turkije en Rusland. Buiten deze landen neemt u contact op met uw geautoriseerde RYOBI-verdeler om te bepalen of er een andere garantie geldt is.

### GEAUTORISEERD ONDERHOUDSCENTRUM

Om een geautoriseerd onderhoudscentrum in uw buurt te vinden, surf u naar <http://uk.ryobitools.eu/header/service-and-support/service-agents>.

## PT GARANTIA

Além de qualquer direito estatutário derivado da compra, este produto está coberto com a seguinte garantia.

- O período de garantia é de 24 meses para os consumidores e começa a partir da data de compra do produto. Esta data deve ser comprovada com uma factura ou outra prova de compra. O produto foi desenhado e destinado ao consumidor e apenas para uso privado. Portanto, não se oferece qualquer garantia em caso de uso profissional ou comercial.
- Em alguns casos (como promoções ou um conjunto de ferramentas) existe a possibilidade de ampliar o período de garantia até ao período descrito anteriormente através do registo no website [www.ryobitools.eu](http://www.ryobitools.eu). A elegibilidade da ferramenta mostra-se claramente nas lojas ou na embalagem. O utilizador final deve registar as suas ferramentas recém-adquiridas on-line nos 8 dias seguintes à data de compra. O utilizador final poderá registar-se para ampliar a garantia no seu país de residência se este aparecer no formulário de registo on-line em que esta opção é válida. Além disso, os utilizadores finais devem dar o seu consentimento para se guardarem os dados que se solicitam para entrar on-line e aceitar os termos e condições. A confirmação de registo, que será enviada por correio electrónico, e a factura original que mostre a data de compra servirão como prova da ampliação da garantia. Os seus direitos estatutários permanecerão intactos.
- A garantia cobre, durante o período de garantia, todos os defeitos do produto que se devam a falhas da mão-de-obra ou a falhas do material na data de compra. A garantia tem um limite de reparação ou substituição e não inclui qualquer outra obrigação que se deva a, embora sem se limitar a tal, danos acidentais ou incidentais. A garantia não é válida se se fez um uso inadequado do produto, se não se usou seguindo o manual de instruções ou se foi ligado incorrectamente. Esta garantia não se aplica a:
  - qualquer dado do produto derivado de uma manutenção inadequada
  - qualquer produto que tenha sido alterado ou modificado
  - qualquer produto em que as marcas de identificação originais (marca comercial, número de série) tenham sido apagadas, modificadas ou eliminadas
  - qualquer dano causado por incumprimento do manual de instruções
  - qualquer produto que não seja CE
  - qualquer produto que um profissional não qualificado tenha tentado reparar ou sem uma autorização prévia de Techtronic Industries
  - qualquer produto ligado a um fornecimento eléctrico inadequado (amperios, tensão, frequência)
  - qualquer produto utilizado com uma mistura de combustível inadequada (combustível, óleo, percentagem de óleo)
  - qualquer dano causado por influências externas (de produtos químicos, danos físicos, descarga eléctrica) ou substâncias estranhas
  - desgaste ou ruptura normal das peças de substituição
  - uso inadequado, sobrecarga da ferramenta
  - uso de acessórios ou peças não homologadas
  - carburador após 6 meses, ajustes do carburador após 6 meses
  - componentes (peças e acessórios) sujeitos a um desgaste ou ruptura natural, incluindo, embora sem se limitar a tal, os botões de embate, correias de transmissão, embraiagem, lâminas de corta-arbustos ou corta-relvas, ameses, acelerador, escovas de carvão, cabo de alimentação, forquilhas, anilhas de feltro, passadores de gancho, ventiladores, tubos de ventilador e de vácuo, correias e bolsas de vácuo, barras de guia, serras de cadeia, mangueiras, acessórios de ligação, boquilhas pulverizadoras, rodas, varas borrifadoras, carretes interiores e exteriores, fios de corte, velas, filtros de ar, filtros de gás, lâminas de trituração, etc.
- Para o serviço, o produto deve ser enviado ou entregue num ponto de serviço técnico autorizado RYOBI enumerado para cada país na seguinte lista de moradas de serviço técnico. Em alguns países o seu distribuidor local RYOBI encarrega-se de enviar o produto para a organização do serviço de RYOBI. Ao enviar um produto a um ponto de serviço técnico RYOBI, o produto deve ser embalado de forma segura sem que contenha qualquer substância perigosa como petróleo, deve levar a morada do remetente e ir acompanhado de uma breve descrição da falha.
- Uma reparação/substituição dentro desta garantia realiza-se de forma gratuita. Não constitui uma ampliação nem um reinício do período de garantia. As peças ou ferramentas que se alterem passam a ser da nossa propriedade. Em alguns países os gastos de envio ou da franquia deverá pagá-los o remetente.
- Esta garantia é válida na Comunidade Europeia, Suíça, Islândia, Noruega, Liechtenstein, Turquia e Rússia. Fora destas zonas, entre em contacto com o seu distribuidor autorizado RYOBI para determinar se se aplica outra garantia.

### CENTRO DE ASSISTÊNCIA AUTORIZADO

Para encontrar um centro de assistência autorizado próximo de si, visite <http://uk.ryobitools.eu/header/service-and-support/service-agents>.

## DA GARANTI

Ud over de lovbestemte rettigheder ved køb, er dette produkt dækket af en garanti som angivet nedenfor.

- Garantien er 24 måneder for forbrugerne og træder i kraft den dato, hvor produktet bliver købt. Denne dato skal dokumenteres af en faktura eller andet købsbevis. Produktet er designet og beregnet til privat brug. Så der er ingen garanti i tilfælde af erhvervs-mæssig brug.
- Der er i visse tilfælde (f.eks. kampagner eller udvalgt produkter) mulighed for at forlænge garantien i perioden beskrevet ovenfor ved at registrere produktet på [www.ryobitools.dk](http://www.ryobitools.dk). Berettigelsen af produktet vises tydeligt i butikker og / eller på emballagen. Slutbrugeren skal registrere hans/hendes nyhvervede produkter online indenfor 8 dage fra købsdatoen. Slutbrugeren kan tilmelde sig den udvidede garanti i sit bopælsland, hvis det er opført på den online tilmeldingsformular. Desuden skal slutbrugere give deres samtykke til lagring af de data, der er nødvendige for at komme ind på nettet, og de er nødt til at acceptere vilkår og betingelser. Kvittingen på modtagelsen af registrering, som udsendes via e-mail, og den originale faktura, der angiver købsdatoen, fungerer som bevis på den udvidede garanti. Dine lovbestemte rettigheder forblive uændret.
- Garantien dækker alle fejl ved produktet i løbet af garantiperioden, som kan føres tilbage til fabrikkens- eller materialefejl på købsdatoen. Garantien begrænser sig til reparation og/eller udskidning og omfatter ikke andre forpligtelser inklusiv, men ikke begrænset til, skader eller følgeskader. Garantien er ikke gyldig, hvis produktet har været udsat for misbrug, anvendelse i strid med brugsanvisningen eller har været tilsluttet forkert. Denne garanti dækker ikke:
  - Enhver skade på produktet som følge af ukorrekt vedligeholdelse
  - Ethvert produkt, som er blevet ændret eller modificeret
  - Ethvert produkt, hvor de originale identifikationsmærker (varemærke, serienummer) er blevet ødelagt, ændret eller fjernet
  - Enhver skade, der skyldes manglende overholdelse af brugsanvisningen
  - Ethvert produkt uden CE-mærkning
  - Ethvert produkt, som har været udsat for forsøg på reparation af en uautoriseret fagmand eller uden accept fra Techtronic Industries
  - Ethvert produkt, der har været sluttet til forkert strømforsyning (ampere, spænding, frekvens)
  - Ethvert produkt, der har været anvendt med forkert brændstofblanding (brændstof, olie, olieforhold)
  - Enhver skade, der skyldes udefra kommende påvirkninger (kemisk, fysisk, stød) eller fremmedlegemer
  - Normal slitage på reservedele
  - Forkert anvendelse, overbelastning af produktet
  - Brug af ikke-godkendt tilbehør eller (reserve)dele
  - Karburator efter 6 måneder, karburatorjusteringer efter 6 måneder
  - komponenter (dele og tilbehør), der har været udsat for naturlig slitage, inklusive, men ikke begrænset til, afstandsknopper, drivremme, kobling, klinger på hækkeklippere eller plæneklippere, seler, gaskabel, kulbørster, strømforsyningskabel, knive, filtknive, låsestifte, blæseventilatorer, blæse- og indsgningsrør, sugepose og stropper, styresværd, savkæder, slanger, tilslutningsfittings, sprøjtedyser, hjul, sprøjtetave, indvendige hjul, udvendige spoler, skæretråd, tændrør, luftfilter, gasfilter, bioklip-klinger, mv.
- Til servicering skal produktet indleveres til eller forevises et autoriseret RYOBI serviceværksted for det pågældende land. I nogle lande vil din lokale RYOBI-forhandler sende produktet til RYOBI's serviceorganisation. Når et produkt indleveres til et RYOBI serviceværksted, skal det emballeres forsvarligt uden farligt indhold (som f.eks. benzin), være forsynet med afsenderadresse og ledsaget af en kort beskrivelse af fejlen.
- Reparation/udskifning i henhold til denne garanti er gratis. Den medfører ikke forlængelse eller ny start af garantiperioden. Udskiftede dele eller værktøjer overgår til vores ejendom. I nogle lande skal leveringsomkostninger eller porto betales af afsenderen.
- Denne garanti er gyldig i EU, Schweiz, Island, Norge, Liechtenstein, Tyrkiet og Rusland. Uden for disse områder bedes man venligst kontakte sin autoriserede RYOBI-forhandler for at få opklaret, om evt. andre garantier er gældende.

### AUTORISERED SERVICE/VERKSTEDER

Find nærmeste autoriserede serviceværksted på <http://dk.ryobitools.eu/header/service-and-support/service-agents>.

## SV GARANTI

Förutom de lagstadgade rättigheter som följer köpet omfattas denna produkt av en garanti som anges nedan.

- Garantitiden är 24 månader för konsumenter och börjar den dag då produkten köptes. Detta datum måste kunna dokumenteras av en faktura eller annat inköpsbevis. Produkten är utformad och avsedd för konsumenter och ska endast användas för privat bruk. Det innebär att ingen garanti lämnas vid yrkesmässig eller kommersiell användning.
- I vissa fall (t.ex. marknadsföring, sortiment av verktyg), finns det en möjlighet att förlänga garantitiden under den period som beskrivs ovan genom registrering på hemsidan [www.ryobitools.eu](http://www.ryobitools.eu). De verktyg det gäller för framgår tydligt i butikker och/eller på förpackningen. Slut användaren måste registrera sitt nyinköpta verktyg på nätet inom 8 dagar från inköpsdatum. Slut användaren kan registrera sig för den utökade garantitiden i sitt hemland om det framgår av registreringsformuläret online där detta alternativ är giltigt. Dessutom måste slut användarna ge sitt samtycke till lagring av de uppgifter som krävs för att komma in på nätet och de måste godkänna villkoren. Registreringens mottagningsbevis som skickas ut via e-post och den ursprungliga fakturan som visar inköpsdatum fungerar som bevis på förlängd garantitid. Dina lagstadgade rättigheter påverkas inte.
- Garantin täcker alla fel på produkten under garantitiden som beror på fel i utförande eller material vid inköpsdatumet. Garantin är begränsad till reparation och/eller utbyte och inkluderar inte några andra åtaganden, inklusive men inte begränsat till oförutsedda skador eller följdskador. Garantin gäller inte om produkten har använts på fel sätt, använts på ett sätt som inte följer användarhandboken eller som har anslutits på ett felaktigt sätt. Denna garanti gäller inte för:
  - skador på produkten som beror på felaktigt underhåll
  - om produkten har ändrats eller modifierats
  - en produkt där den ursprungliga identifieringen (varumärke, serienummer) har förstörts, ändrats eller tagits bort
  - skador som orsakas av att användarhandboken inte har följts
  - alla produkter som inte följer CE-bestämmelser
  - en produkt som en icke-kvalificerad yrkesperson eller en person som inte har behörighet från Technronic Industries har försökt att reparera
  - en produkt som ansluts till eluttaget (ampere, spänning, frekvens) på fel sätt
  - en produkt som används med olämplig bränsleblandning (bränsle, olja, procent av olja)
  - skador som orsakas av yttre påverkan (kemiska, fysikaliska, stötar) eller främmande ämnen
  - normalt slitage av reservdelar
  - felaktig användning, överbelastning av verktyget
  - användning av icke-godkända tillbehör eller delar
  - förgasare efter 6 månader, justering av förgasare efter 6 månader
  - komponenter (delar och tillbehör) med förbehåll för normalt slitage, inklusive men inte begränsat till stötknappar, drivremmar, koppling, blad av häcksaxar eller gräsklippare, sele, kabelhållare, kolborstar, nätkabel, pinnar, filtbrickor, hitchkopplingar, blåsfåtkar, fläkt- och vakuurmör, vakuumbäskor och remmar, ledskenor, sågkedjor, slangar, anslutningar, sprutmunstycken, hjul, sprayanordningar, inre spolar, yttre spolar, skärande linjer, tändstift, luftfilter, gasfilter, marktäckningsblad, osv.
- För service, måste produkten skickas eller presenteras till en RYOBI-godkänd servicestation som anges för varje land i följande lista med adresser. I vissa länder ombesörjer den lokala RYOBI-återförsäljaren att skicka produkten till RYOBI-serviceorganisationen. När en produkt skickas till en RYOBI-servicestation, ska produkten förpackas på ett säkert sätt utan farligt innehåll som bensin, märkt med avsändarens adress tillsammans med en kort som beskriver felet.
- En reparation/utbyte som sker under denna garanti är gratis. Den utgör inte en förlängning eller en ny start på garantitiden. Utlysar delar eller verktyg blir vår egendom. I vissa länder måste leveranskostnader eller porto betalas av avsändaren.
- Denna garanti gäller i EU, Schweiz, Island, Norge, Liechtenstein, Turkiet och Ryssland. Utanför dessa områden ska du kontakta din auktoriserade RYOBI-återförsäljare för att avgöra om en annan garanti gäller.

## AUKTORISERAT SERVICECENTER

Du hittar närmaste auktoriserade servicecenter genom att gå till <http://uk.ryobitools.eu/header/service-and-support/service-agents>.

## FI TAKUU

Hankinnasta kuitioivien laillisten oikeuksien lisäksi tätä tuotetta hallitsee alla kuvattu takuu.

- Takuukausi on 24 kuukautta kuluttajille ja alkaa tuotteen ostopäivästä. Tämän päivän on oltava merkitty kuittiin tai muuhun todisteseen hankinnasta. Tämä tuote on suunniteltu ja tarkoitettu ainoastaan kuluttajien yksityiskäyttöön. Ammatti- ja kaupalliseen käyttöön ei näin ollen ole takuuta.
- Joissain tapauksissa (kuten tarjous, laitesarja) takuukautta voidaan pidentää kuvattua kautta pidemmäksi rekisteröimällä tuote osoitteessa [www.ryobitools.eu](http://www.ryobitools.eu). Takuun pidentämis mahdollisuus ilmoitetaan selkeästi kaupassa jätai pakkauksessa. Loppukäyttäjän on rekisteröitävä uusi laitteensa online 8 päivän sisällä sen hankkimisesta. Loppukäyttäjän voi rekisteröityä saadakseen jatkettun takuun asuinmaassaan, jos se mainitaan online-rekisteröintilomakkeessa. Lisäksi, loppukäyttäjän on annettava suostumuksensa tallentaa syötetyt tiedot online, ja hänen on hyväksyttävä ehdot. Sähköpostitse lähetettävä rekisteröintivahvistus ja alkuperäinen kuitti, josta ilmenee hankintapäivä, toimivat todistena takuun jatkamisesta. Lailliset oikeudet eivät muutu.
- Takuu kattaa takuukaikana kaikki tuotteen viat, jotka johtuvat valmistus- tai materiaaliavista hankintapäivänä. Takuu rajoittuu korjaukseen ja/ tai vaihtoon eikä sisällä mitään muita velvoitteita, mukaan lukien mm. satunnaiset ja seuraamukselliset vauriot. Takuu ei ole voimassa, jos tuotetta on väärinkäytetty tai käytetty käyttöoppaan vastaisesti tai se on kytketty virheellisesti. Takuu ei kata seuraavia:
  - tuotteelle koituneet vahingot, jotka johtuvat virheellisestä ylläpidosta
  - tuote, jota on muunneltu
  - tuote, jossa alkuperäiset tunnisteet (tavaramerkki, sarjanumero) ovat turmeltuneet tai niitä on muutettu tai ne on poistettu
  - käyttöoppaan laiminlyönnistä johtuvat vauriot
  - ei-EC-tuotteet
  - tuotteet, jolla on yrittänyt korjata ei-pätevä asentaja tai jonka korjaukselle ei ole saatu Technronic Industriesiltä hyväksyntää etukäteen
  - tuotteet, jotka on kytketty vääranlaiseen virtalähteeseen (virta, jännite, taajuus)
  - tuote, jossa on käytetty virheellistä polttoaineseosta (polttoaine, öljy, öhlyn osuus)
  - vauriot, jotka johtuvat ulkoisista syistä (kemikaalit, fyysiset tekijät, iskut) tai vieraista aineista
  - normaalit varaosien kuluminen
  - virheellinen käyttö, laitteen ylikuormitus
  - muiden kuin hyväksytyjen lisävarusteiden ja osien käyttö
  - kaasutin 6 kuukauden jälkeen, kaasuttimen säätö 6 kuukauden jälkeen
  - komponentit (osat ja lisävarusteet), joihin kohdistuu luonnollista kulumista, mukaan lukien mm. napautuspuit, vetohihnat, kytin, pensastrimmeriden ja ruohonleikkurien terät, valjaat, kaapelikaasutin, hiilijarhat, virtajohto, piikit, huopavälilevyt, sokat, puhallimet, puhallin- ja imuputket, polynimurin pussit ja hihnat, terälevyt, teräketjut, letkut, liittimet, suuttimet, pyörät, suihkuputket, sisäkelat, ulkoiset kelat, leikkusuimat, sitytystulpat, ilmansuodattimet, polttoainesuodattimet, silppuriterät jne.
- Huollon saaminen edellyttää, että tämä tuote lähetetään tai viedään RYOBI:n valtuuttamaan huoltoon, jotka luetaan maittain seuraavassa huoltojen osoiteluettelossa. Joissain maissa paikallinen RYOBI-jälleenmyyjä hoitaa tuotteen lähettämisen RYOBI-huoltoon. Kun tuote lähetetään RYOBI-huoltoon, se on pakattava turvallisesti ilman mitään vaarallista sisältöä, huolto bensiniä, siihen on merkittävä lähettäjän osoite ja sen mukana on lähetettävä vian kuvaus.
- Tämän takuun puitteissa tapahtuva korjaaminen/vaihto on ilmaista. Se ei merkitse takuujakson jatkamista tai uuden kauden alkua. Vaihdetuista osista ja laitteista tulee meidän omaisuuttamme. Joissain maissa lähettäjän on maksettava toimituskulut tai postimaksu.
- Tämä takuu on voimassa Euroopan Yhteisössä, Sveitsissä, Islannissa, Norjassa, Liechtensteinissa, Turkissa ja Venäjällä. Jos olet näiden alueiden ulkopuolella, ota yhteys valtuutettuun RYOBI-jälleenmyyjään, joka voi kertoa, onko joku muu takuu voimassa.

## VALTUUTETTU HUOLTO

Valtuutettujen huoltojen sijainnin löytämiseksi, käy sivulla <http://fi.ryobitools.eu/header/service-and-support/service-agents>.

## NO GARANTI

I tillegg til enhver lovbestemt rettighet som følge av dette kjøpet er dette produktet dekket av en garanti som beskrevet nedenfor.

- Garantitiden er 24 måneder for forbrukere, og starter på produktets kjøpsdato. Denne datoen må dokumenteres av faktura eller annet kjøpsbevis. Produktet er konstruert og beregnet på forbrukere og kun privat bruk. Det gis ingen garanti ved profesjonell eller kommersiell bruk.
- Det er, i noen tilfeller, (dvs. markedsføring, serie av verktøy), mulig å utvide garantien ut over den perioden som er nevnt ovenfor ved bruk av registrering på nettstedet [www.ryobitools.eu/Verktoys\\_garantiberegtelse](http://www.ryobitools.eu/Verktoys_garantiberegtelse) vises klart i butikkene og/eller på emballasjen. Sluttbruker må registrere sitt nylig innkjøpte verktøy på nettet innen 8 dager etter kjøpsdatoen. Sluttbruker kan registrere seg for utvidet garanti i det landet hvor vedkommende bor hvis dette landet er ført opp på nettregistreringsskjemaet hvor dette alternativet er gyldig. Sluttbruker må også gi sin tillatelse til lagring av de data som er påkrevet å registrere på nettet, og må akseptere vilkår og betingelser. Registreringsbekreftelsen, som sendes som epost, og den originale kvitteringen som viser kjøpsdatoen, vil gjelde som bevis på den utvidede garantien. Dine lovbestemte rettigheter vil fortsatt gjelde.
- Garantien gjelder alle defekter på produktet i garantitiden som følge av feil på arbeid eller materialer på kjøpsdatoen. Garantien er begrenset til reparasjon og/eller utskifting av produktet, og inkluderer ingen annen forpliktelse, inklusive men ikke begrenset til tilfældige eller direkte eller indirekte følgeskader. Garantien gjelder ikke dersom produktet er misbrukt, brukt i strid med brukermanualens instruksjoner eller vært feilaktig tilkoblet. Denne garantien gjelder ikke:
  - enhver skade på produktet som følge av utilstrekkelig vedlikehold
  - et produkt som er endret eller modifisert
  - ethvert produkt hvor original identifikasjonsmerke (varemerke, serienummer) er tildekket, endret eller fjernet
  - enhver skade som følge av at instruksjoner i brukermanualen ikke er fulgt
  - ethvert ikke-CE-produkt
  - ethvert produkt som er forsøkt reparert av en ukvalifisert person, eller uten forutgående tillatelse av Techntron Industries
  - ethvert produkt som er tilkoblet uriktig strømkilde (ampere, spenning, frekvens)
  - ethvert produkt som er brukt med feil drivstoffblanding (drivstoff, olje, prosentvis andel olje)
  - enhver skade forårsaket av eksterne påvirkninger (kjemiske, fysiske eller slag) eller fremmede substanser
  - normal slitasje på reservedeler
  - feilaktig bruk, overbelastning av verktøyet
  - bruk av ikke godkjent tilbehør eller reservedeler
  - forgasser etter 6 måneder, forgasserjusteringer etter 6 måneder
  - komponenter (deler og tilbehør) gjenstand for naturlig slitasje, inklusive men ikke begrenset til dunkeknotter, drivreimer, clutch, kniver på hekklippere eller gressklippere, seler, gasswire, karbonborster, elektriske ledninger, tenner, filtpakninger, skaftpinner, blåseviser, blåse- og sugeslanger, oppsamlingsposer, motorsagsverd, sagkjeder, slanger, tilkoblingsdeler, spraytøysver, hjul, spraytestaver, innvendige ruller, utvendige spoler, klippesnorer, tennplugg, luffiltere, gassfiltere, oppkappingsblader, etc.
- For ettersyn og reparasjoner må produktet leveres til et RYOBI-autorisert servicesenter ført opp for det enkelte land i følgende liste av servicesentersadresser. I noen land vil din lokale RYOBI-forhandler sørge for å sende produktet til RYOBI's serviceorganisasjon. Når et produkt sendes til en RYOBI servicesentersom må produktet være forsvarlig emballert uten farlig innhold som bensin, merket med senders navn og adresse og medsendt en kort beskrivelse av feilen.
- En reparasjon/utskifting i henhold til denne garantien er gratis. Den representerer ikke en forlengelse av garantiperioden eller en ny start på garantiperioden. Utskiftede deler eller verktøy blir vår eiendom. I noen land vil leveringskostnader eller porto måtte betales av sender.
- Denne garantien er gyldig i EU, Sveits, Island, Norge, Liechtenstein, Tyrkia og Russland. Utenfor disse områdene ber vi om at du kontakter en autorisert Ryobi-forhandler for å finne ut om en annen garanti gjelder.

## AUTORISERT SERVICESENTER

For å finne et autorisert servicesenter i nærheten, gå til <http://no.ryobitools.eu/header/service-and-support/service-agents>.

## RU ГАРАНТИЯ

В дополнение к законным правам, вытекающим из факта покупки, на данный продукт распространяются следующие гарантийные обязательства.

- Гарантийный период составляет 24 месяца для покупателей и начинается с даты приобретения продукта. Дата приобретения подтверждается документально товарным чеком или другим доказательством покупки. Данный продукт предназначен для использования только в личных целях. Гарантия не предоставляется в случае профессионального или коммерческого использования данного продукта.
- В некоторых случаях (например, при продвижении продукта, приобретении некоторых видов инструментов) возможно продление гарантийного срока при регистрации продукта на веб-сайте [www.ryobitools.eu](http://www.ryobitools.eu). Применительно к продукту разъясняется в магазинах при продаже и/или на упаковке продукта. Конечному пользователю следует зарегистрировать вновь приобретенный инструмент через Интернет в течение 8 дней с даты покупки. Конечный пользователь может зарегистрировать продукт для получения расширенной гарантии в стране проживания, если данная возможность предоставляется интернет-формой регистрации. Также, конечный пользователь должен дать свое согласие на хранение данных, требуемых при заполнении формы через Интернет, и принять условия соглашения. Уведомление о подтверждении регистрации, отправляемое по электронной почте, и оригинальный товарный чек с датой покупки служат доказательством расширенной гарантии. Законные права потребителя при этом остаются в силе.
- Данная гарантия распространяется на все дефекты продукта, связанные с производственным браком или браком материалов в момент приобретения, в течение гарантийного периода. Данная гарантия ограничивается ремонтом и/или заменой и не включает другие обязательства, в том числе, связанные с побочным или повременным ущербом. Гарантия недействительна в случае ненадлежащего использования, использования с нарушением инструкций руководства по эксплуатации или неправильного подключения продукта. Гарантия недействительна, если:
  - повреждение продукта вызвано ненадлежащим техническим обслуживанием
  - продукт подвергся изменениям или был модифицирован
  - оригинальная маркировка (товарный знак, заводской номер) неудобночитаема, изменена или удалена
  - повреждение вызвано несоблюдением инструкций данного руководства
  - отсутствует маркировка CE
  - была попытка отремонтировать продукт неквалифицированным лицом или без предварительного согласования с компанией Techntron Industries
  - продукт подключался к ненадлежащему источнику питания (ненадлежащая сила тока, напряжение, частота)
  - продукт использовался с недопустимой топливной смесью (топливо, масло, процент содержания масла)
  - повреждение вызвано внешним воздействием (химические, физические, удары) или посторонними веществами
  - это связано с нормальным износом заменяемых деталей
  - это связано с ненадлежащим использованием, перегрузкой инструмента
  - это связано с использованием нереккомендованных принадлежностей или деталей
  - карбюратор использовался свыше 6 месяцев, регулировка карбюратора после 6 месяцев
  - компоненты (детали и принадлежности) подверженные естественному износу, в том числе, колпачки, приводные ремни, муфта, режущие полотна шпательных ножиц или газонокосилок, крепежные ремни, тросик дроссельной заслонки, угольные щетки, кабель питания, фрезы, фетровые прокладки, шпильки, крыльчатки, выпускные и всасывающие трубки, мешок для мусора и решетки, пыльные шины, пыльные щели, шланги, соединительные фитинги, распылительные насадки, колеса, распылители, внутренние бобины, внешние бобины, режущие струны, свечи зажигания, воздушные фильтры, газовые фильтры, механизмы для мульчирования и т.п.
- Для проведения технического обслуживания продукт следует представить в официальный центр технического обслуживания компании RYOBI в соответствии со списком по каждой стране. В некоторых странах дилерам компании RYOBI потребуются пересылка продукта в соответствующий сервисный центр компании RYOBI. При отправке продукта в центр технического обслуживания RYOBI, продукт следует упаковать надлежащим образом без содержания любых опасных веществ (таких как бензин) с указанием адреса отправителя и кратким описанием неисправности.
- Ремонт/замена продукта по условиям данной гарантии осуществляются бесплатно. В данном случае не предусмотрено продление срока гарантии или начало нового гарантийного периода. Заменяемые детали или инструмент становятся собственностью компании. В некоторых странах оплата доставки и почтовые расходы ложатся на отправителя.
- Данная гарантия действительна в странах ЕС, Швейцарии, Исландии, Норвегии, Лихтенштейне, Турции и России. Для получения информации о применении данной гарантии в других регионах обращайтесь к официальному дилеру компании RYOBI.

## УПОЛНОМОЧЕННЫЙ СЕРВИСНЫЙ ЦЕНТР

Чтобы найти ближайший уполномоченный сервисный центр, обратитесь к веб-сайту <http://uk.ryobitools.eu/header/service-and-support/service-agents>.

## PL GWARANCJA

Oprócz wszelkich praw ustawowych wynikających z zakupu, ten produkt jest objęty gwarancją jak podano poniżej.

- Okres gwarancji wynosi 24 miesiące dla konsumentów i rozpoczyna się w dniu, w którym produkt został zakupiony. Ta data musi być udokumentowana przez fakturę lub inny dowód zakupu. Produkt został zaprojektowany i jest przeznaczony wyłącznie do użytku konsumenckiego i prywatnego. W związku z tym gwarancja nie jest udzielana w przypadku zastosowań profesjonalnych i komercyjnych.
- Nie ma, w niektórych przypadkach (promocja tj. zakres narzędzi), możliwość przedłużenia okresu gwarancji w okresie opisanym powyżej przy rejestracji na stronie internetowej [www.ryobitools.eu](http://www.ryobitools.eu). Kwalifikowalność narzędzia jest wyraźnie określona w sklepach oraz/lub na opakowaniu. Użytkownik końcowy musi zarejestrować swoje nowe zakupione narzędzia online w ciągu 8 dni od daty zakupu. Użytkownik końcowy może zarejestrować się w celu rozszerzenia gwarancji w swoim kraju zamieszkania, jeśli jest on wymieniony w formularzu rejestracji online, kiedy ta opcja jest ważna. Ponadto użytkownicy końcowi muszą wyrazić zgodę na przechowywanie danych, które są wymagane do zalogowania online oraz muszą zaakceptować regulamin. Otrzymanie potwierdzenia rejestracji, które jest wysyłane na adres e-mail oraz oryginalna faktura z podaną datą zakupu będą służyły jako dowód przedłużonej gwarancji. Twoje prawa ustawowe pozostają nienaruszone.
- Gwarancja obejmuje wszystkie wady produktu w okresie gwarancyjnym, spowodowane usterekami w wykonaniu lub materiale w chwili nabycia. Gwarancja jest ograniczona do naprawy oraz/lub wymiany i nie obejmuje żadnych innych obowiązków w tym m.in. odpowiedzialności za szkody przypadkowe lub wtórne. Gwarancja nie jest ważna, jeśli produkt był użytkowany w niewłaściwy sposób, był wykorzystywany w sposób niezgodny z instrukcją obsługi lub był nieprawidłowo podłączony. Ta gwarancja nie obejmuje:
  - uszkodzenia produktu, które jest wynikiem nieprawidłowej konserwacji
  - produktu, który został przerobiony lub zmodyfikowany
  - produktu, w którym znieskształcono, zmieniono lub usunęto oryginalne oznaczenia (nazwę handlową, numer seryjny)
  - uszkodzeń spowodowanych nieprzestrzeganiem instrukcji obsługi produktu bez certyfikatu CE
  - produktu, który był naprawiany przez niewykwalifikowaną osobę lub bez uprzedniej autoryzacji firmy Techtronic Industries
  - produktu podłączonego do nieprawidłowego źródła zasilania (napięcie, napięcie, czystość)
  - produktu używanego z nieprawidłową mieszanką paliwa (paliwo, olej, zawartość procentowa oleju)
  - uszkodzeń spowodowanych przez przez czynniki zewnętrzne (chemiczne, fizyczne, uderzenia) lub obec substancje normalnego zużycia części zamiennych
  - niewłaściwego użytkowania, przecięcia narzędzia
  - stosowania niezatwierdzonych akcesoriów lub części
  - gaźnika po 6 miesiącach, regulacji gaźnika po 6 miesiącach
  - elementów (części i akcesoriów) podlegających naturalnemu zużyciu, m.in. gałek odbojnikowych, pasów napędowych, sprężela, ostrej noży do żywoptłów lub kosiariek, uprząży, przepustnicy, szczołek węglowych, przewodu zasilającego, zębów, podkładek filcowych, sworzní zaczepu, wentylatorów dmuchawy, przewodów dmuchawy i podciśnieniowych, worków próżniowych i pasków, prowadnic, łańcuchów pilarki, przewodów, mocowań złączy, dysy rozpylających, kółek, lancy rozpylających kat., dmuchawy, dmuchawy i nury próżniowe, torebki próżniowe i paski, prowadnice, bębnow wewnątrznych, szpulki zewnętrznych, żyłki tnącej, świec zapłonowych, filtrów powietrza, filtrów gazu, ostrej do ściółkowania itp.
- W celu serwisowania produkt należy wysłać lub okazać w autoryzowanym centrum serwisowym RYOBI wymienionym dla każdego kraju na poniższej liście adresów stacji serwisowych. W niektórych krajach lokalny dealer firmy RYOBI zobowiązuje się wysłać produkt do centrum serwisowego firmy RYOBI. W przypadku wysyłki produktu do centrum serwisowego RYOBI, produkt należy dobrze zapakować, bez umieszczenia żadnych niebezpiecznych rzeczy, tj. paliwa i oznaczyć adresem nadawcy oraz krótkim opisem usterek.
- Naprawa/wymiana w ramach tej gwarancji jest bezpłatna. Nie stanowi to przedłużenia lub nowego rozpoczęcia okresu gwarancji. Wymieniane części lub narzędzia stają się naszą własnością. W niektórych krajach koszty wysyłki lub pocztowe będą musiały być opłacone przez nadawcę.
- Ta gwarancja obowiązuje na terytorium Wspólnoty Europejskiej, Szwajcarii, Islandii, Norwegii, Liechtenstein, Turcji i Rosji. Poza tymi obszarami należy skontaktować się z autoryzowanym dealerem RYOBI aby sprawdzić, czy dostępna jest jeszcze inna gwarancja.

## AUTORYZOWANY PUNKT SERWISOWY

Najbliższy autoryzowany punkt serwisowy można wyszukać w witrynie internetowej <http://uk.ryobitools.eu/header/service-and-support/service-agents>.

## CS ZÁRUKA

Navíc k zákonným právům, které vznikají nákupem, je k výrobku poskytována záruka.

- Záruka je období 24 měsíců pro spotřebitele a začíná běžet datem nákupu produktu. Toto datum musí být zadokumentováno fakturou nebo jiným důkazem o koupi. Tento výrobek je určen a vyhrazen jen pro domácí a soukromé používání. Záruka se tedy nepoužije pro profesionální ani komerční používání.
- Existuje, v některých případech (tj. propagace, určité nástroje), možnost prodloužení doby záruky nad výše uvedené období pomocí registrace na stránkách [www.ryobitools.eu](http://www.ryobitools.eu). Vhodnost nástroje je jasně vyobrazena v prodejních a/nebo na obalu. Koncový uživatel musí zaregistrovat své nové pořízené nástroje online během 8 dní od data nákupu. Koncový uživatel se může zaregistrovat k prodloužení doby záruky v zemi jeho trvalého bydliště, pokud je uvedeno v online registračním formuláři, kde je tato možnost platná. Navíc musí koncový uživatel poskytnout souhlas s uchováním údajů, které jsou zapotřebí do online registru a musí přijmout podmínky smlouvy. Přijetí potvrzení o registraci, odeslané e-mailem, a originální faktura udávající datum nákupu slouží jako důkaz prodloužené záruky. Vaše zákonná práva zůstávají nedotčena.
- Záruka pokrývá veškeré vady produktu během záruky způsobené vadami při zpracování nebo v materiálu v době nákupu. Záruka se omezuje na opravu a/nebo výměnu a nezahrnuje žádné jiné závazky včetně, ale ne omezeně na souvisilci nebo následné škody. Záruka neplatí, pokud, pokud se produkt nesprávně používal, používal v rozporu s návodem nebo byl nesprávně zapojen. Záruku nelze uplatnit v následujících případech:
  - jakákoliv škoda na výrobku v důsledku nesprávné údržby
  - jákykoliv výrobek byl pozmeněn či modifikován
  - jákykoliv výrobek, kde byly původní identifikační značky (obchodní značka, výrobní číslo) odstraněny, pozmeněny či modifikovány
  - jakákoliv škoda způsobená nedodržováním návodu k obsluze
  - výrobek nemá značku CE
  - každý výrobek, kde došlo k pokusu jej opravit nekvalifikovanou osobou nebo bez předchozího souhlasu společnosti Techtronic Industries
  - každý výrobek byl připojen nesprávnému napájení (proud, napětí, frekvence)
  - každý výrobek, který se používal s nesprávnou palivovou směsí (palivo, olej, podíl oleje)
  - veškeré škody byly způsobeny externími vlivy (chemické, fyzické, nárazy) či cizími látkami
  - běžné opotřebení a spotřební náhradní díly
  - nehodné používání, přetěžování nástroje
  - použití neschválených doplňků nebo dílu
  - karburátor po 6 měsících, seřízení karburátoru po 6 měsících
  - komponenty (díly a doplňky) podléhající běžnému opotřebení, včetně, ale ne omezeně, nárazových tlačítek, hnacích řemenů, spojky, nožů plotostříhu či sekaček trávy, postroje, lanka škrtící klapky, uhlikových kartáčů, napájecího kabelu, plechů, plstěných podložek, závlaček, ventilátorů fukaru, hadic fukaru a vysavače, vaku vysavače a popruhu, vodičích lišt, pilových řetězů, hadic, spojovacích tvarovek, rozprašovačích trysek, kol, stříkaček trubice, vnitřních, vnějších cívek, sekacích strun, zapalovačích svíček, vzduchových filtrů, spalňových filtrů, umíčovacích nožů atd.
- Pro servis výrobku je třeba zaslat nebo předložit pověřenému servisnímu středisku RYOBI dle seznamu adres servisních středisek. V některých zemích váš místní prodejce RYOBI provádí odeslání výrobku servisní organizaci RYOBI. Při zasílání výrobku servisnímu středisku RYOBI by se měl výrobek bezpečně zabalit bez nebezpečného obsahu jako benzín, označit adresu odesílatele a přiložit list krátkým popisem vady.
- Oprava/výměna během záruky je bezplatná. Neznamená prodloužení ani začátek nového záručního období. Vyměněné díly či nástroje se stávají naším vlastnictvím. V některých zemích doručení či poštovné platí odesílatelem.
- Záruka je platná v Evropské unii, Švýcarsku, Islandu, Norsku, Lichtenštejnku, Turecku a Rusku. U ostatních oblastí prosím kontaktujte pověřeného prodejce RYOBI pro upřesnění, zda platí jiná záruka.

## POVĚŘENÉ SERVISNÍ STŘEDISKO

Pro natezení nejbližšího pověřeného servisního střediska navštivte <http://uk.ryobitools.eu/header/service-and-support/service-agents>.

## **HU** GARANCIA

A vásárlással összefüggő esetleges törvény adta jogok mellett a termékre az alábbiakban részletezett garancia vonatkozik.

1. A garancia időtartama a fogyasztók számára 24 hónap, ami a termék megvásárlásának napjától számítódik. Ezt a dátumot számlával vagy a vásárlást igazoló más dokumentummal kell igazolni. A terméket kizárólag a vevő által, személyes célokra való használatra tervezték és készítették. Ezért a garancia nem vonatkozik a profik általi vagy üzleti célokra való használatra.
2. Egyes esetekben (pl. promóció, bizonyos termékcsaládok) lehetőség van a garancia időtartamának a fent leírt garanciaperióduson túli meghosszabbítására a [www.ryobitools.eu](http://www.ryobitools.eu) webhelyen történő regisztrációval. Az, hogy egy adott gép jogosult-e erre, egyértelműen fel van tüntetve a boltokban és/vagy a csomagoláson. A végfelhasználónak a vásárlás napjától számított 8 napon belül regisztrálnia kell az újonnan beszerzett gépet. A végfelhasználó a kiterjesztett garanciáért a lakóhelye szerinti országban regisztrálhat, ha az szerepel az online regisztrációs űrlapon. Emellett a végfelhasználónak hozzá kell járulnia az online beépítéshez szükséges adatai tárolásához és el kell fogadnia a szerződési feltételeket. A regisztráció e-mailedben küldött visszaigazolás, valamint a vásárlást igazoló eredeti számla szolgálják a kiterjesztett garancia érvényesítésére. A törvény adta jogai nem sérülnek.
3. A garancia a garancia időtartama alatt a termék összes olyan hibájára kiterjed, amelyek a vásárlás napján is fennálló gyártási vagy anyaghiba miatt következnek be. A garancia javításra és/vagy cserére korlátozódik, és nem tartalmaz további kötelezettséget, beleértve, de nem kizárólag a véletlenszerű vagy következetes károkra vonatkozó kötelezettségeket sem. A garancia nem érvényes a termék helytelen használatára, a használati utasításban leírtakkal ellentétes használatára vagy hibás csatlakoztatása esetén. A garancia nem vonatkozik a következőkre:
  - a termék helytelen karbantartásból eredő esetleges károsodásokra
  - átalakított vagy módosított termékekre
  - olyan termékre, melyen az eredeti azonosító jelöléseket (védjegy, sorozatszám) megrongálták, átalakították vagy eltávolították
  - a használati utasítás be nem tartásával összefüggő károkra
  - a CE minősítéssel nem rendelkező termékre
  - a nem képzett szakember által vagy a Techtronic Industries előzetes jóváhagyása nélküli javított termékre
  - a nem megfelelő tápforrásokhoz (áramerősség, feszültség, frekvencia) csatlakoztatott termékre
  - a nem megfelelő üzemanyag-keverékkel (üzemanyag, olaj, olajárány) használt termékre
  - külső hatások (vizigyi, fizikai, ütés) vagy idegen anyagok által okozott károsodásokra
  - a cserealkatrészek normál kopására és elhasználódására
  - helytelen használatra, a szerszám túlterhelésére
  - nem jóváhagyott tartozékok vagy alkatrészek használatára
  - a karburátorra 6 hónap elteltével, a karburátor beállításaira 6 hónap elteltével
  - Természetes elhasználódásnak és kopásnak kitett összetevőkre (alkatrészek és tartozékok), beleértve de nem kizárólag az ütközőgombokra, hajtószíjakra, tengelykapcsolóra, sóvényvágó vagy fűnyíró késeire, vezetékkelekre, gázkábelekre, szénkefékre, tápkábelekre, kapákra, nemez alátétkarikákra, sasszegekre, fűvágó ventilátoraira, fűvő és vákuumszivők, szívószárokra és szíjakra, láncvezetőkre, fűrészláncokra, tömlőkre, csatlakozókra, szűrőfejekre, kerekre, lándsákra, belső orsókra, külső orsókra, vágószálakra, gyújtógyertyákra, légszűrőkre, üzemanyagszűrőkre, tömörítő kapákra stb.
4. A szervizeléshez a terméket el kell küldeni vagy be kell mutatni valamelyik hivatalos RYOBI szervizközpontban, melyek elérhetősége az egyes országokban az alábbiakban van megadva. Egyes országokban a RYOBI kereskedő vállalja, hogy elküldi a terméket a RYOBI szervizbe. A terméknek a RYOBI szervizelőmásra való küldésekor a termék biztonságosan be kell csomagolni, mindenféle veszélyes anyagot, pl. üzemanyagot el kell távolítani belőle, meg kell adni a feladó címét és a hiba rövid leírását.
5. A garancia keretében végzett javítás/cseréje ingyenes. Ugyanakkor ez nem jelenti a garancia időtartamának kiterjesztését vagy új garanciaperiódus kezdetét. A kicserélte alkatrészek vagy szerszámgépek a mi tulajdonunkban maradnak. Egyes országokban a szállítási vagy a postaköltségeket a feladó fizeti.
6. Ez a garancia az Európai Közösségben, Svájcban, Izlandon, Norvégiában, Liechtensteinben, Törökországban és Oroszországban érvényes. Ezen területeken kívül az érvényes garancia-feltételeket illetően lépjen kapcsolatba a hivatalos RYOBI forgalmazóval.

### HIVATALOS SZERVIZKÖZPONT

A legközelebbi hivatalos szervizközpont megtalálásához látogasson el a <http://uk.ryobitools.eu/header/service-and-support/service-agents>.

## **RO** GARANTIE

În plus față de alte drepturi statutare rezultând din achiziție, produsul este acoperit de o garanție ca cea menționată mai jos.

1. Perioada de garanție este de 24 de luni pentru consumatori și începe de la data la care produsul a fost achiziționat. Această dată trebuie să fie dovedită de o factură sau altă dovadă de cumpărare. Produsul este proiectat și dedicat pentru consumatori și doar pentru uz privat. Ca urmare nu există nicio garanție asigurată în caz de folosire profesională sau comercială.
2. Există, în anumite cazuri (de ex. promoții, game de produse) o posibilitate de a prelungi perioada de garanție peste perioada descrisă mai sus folosind înregistrarea pe site-ul [www.ryobitools.eu](http://www.ryobitools.eu). Eligibilitatea aparatului este afișată clar în magazine și/sau ambalaj. Utilizatorul final se poate înregistra pentru o garanție extinsă în țara sa de reședință dacă e listată pe formularul de înregistrare online acolo unde opțiunea este validă. Mai mult, utilizatorii finali trebuie să-și dea consimțământul cu privire la păstrarea datelor ce sunt cerute a fi introduse online și trebuie să accepte termenii și condițiile. Notificarea de confirmare a înregistrării, ce este trimisă prin email, și factura originală ce arată data achiziționării vor servi ca dovadă a garanției extinse. Drepturile dvs statutare rămând neafectate.
3. Garanția acoperă toate defectele produsului în timpul perioadei de garanție cauzate de defecte din procesul de producție sau ale materialului la data achiziționării. Garanția este limitată la reparație și/sau înlocuire și nu include alte obligații incluzând dar nelimitându-se la pagubele accidentale sau secundare. Garanția nu este validă dacă produsul a fost folosit greșit, folosit contrar instrucțiunilor din manual sau a fost conectat incorect. Această garanție nu se aplică la:
  - orice defecțiune a produsului ca rezultat a întreținerii necorespunzătoare
  - orice produs ce a fost schimbat sau modificat
  - orice produs unde marcajul original de identificare (marcă comercială, număr serie) a fost deteriorat, schimbat sau modificat
  - orice defecțiune cauzată de nerespectarea manualului de instrucțiuni
  - orice produs non CE
  - orice produs care a fost încercat să fie reparat de către o persoană necalificată sau fără autorizare în prealabil de către Techtronic Industries
  - orice produs conectat necorespunzător la sursa de curent (amperi, voltaj, frecvență)
  - orice produs folosit cu amestec necorespunzător de combustibil (combustibil, ulei, procentaj de ulei)
  - orice defecțiune cauzată de influențe externe (chimice, fizice, șocuri) sau substanțe străine
  - uzura normală a pieselor de schimb
  - folosire necorespunzătoare, suprasolicitare a sculei
  - folosire de accesorii și părți neaprobate
  - carburator după 6 luni, reglări ale carburatorului după 6 luni
  - componente (părți și accesorii) subiect a uzurii naturale, incluzând dar nelimitându-se la butoane rotative, curelele de distribuție, ambreiaj, lame ale aparatelor de bordurat și tuns iarba, hamuri, cabluri de accelerație, perii de carbon, cabluri electrice, dinți ale furcii, șaibe de păsli, ventilatoare și tuburi de absorbție, sac vacuum și chingi, bare de ghidare, ferăstraie cu lanț, furture, fitinguri de conectare, vergele de pulverizat, duze de pulverizat, roți, vergele de pulverizat, bobine interioare, bobine exterioare, fire pentru tăiat, buji, filtre de aer, filtre de gaz, lame protectoare, etc
4. Pentru service, produsul trebuie să fie trimis sau prezentat la un punct service RYOBI autorizat listat pentru fiecare țară în următoarea listă cu adrese ale punctelor service. În anumite țări reprezentantul dvs local RYOBI se angajează să trimită produsul la un punct de service RYOBI. Atunci când se trimite un produs la un punct service RYOBI, produsul trebuie să fie împachetat cu grijă fără a conține produse periculoase precum benzină, marcat cu adresa expeditorului și însoțit de o scurtă descriere a defecțiunii.
5. Repararea/înlocuirea în timpul garanției este fără niciun cost. Nu constituie o prelungire sau un nou început a perioadei de garanție. Părțile sau aparatele schimbate devin proprietatea noastră. În anumite țări taxele de expediere trebuie să fie plătite de către expeditor.
6. Garanția este valabilă în Uniunea Europeană, Elveția, Islanda, Norvegia, Lichtenstein, Turcia și Rusia. În afara acestor zone, vă rugăm contactați reprezentantul dvs local autorizat RYOBI pentru a determina dacă se aplică altă garanție.

### CENTRU DE SERVICE AUTORIZAT

Pentru a găsi un centru de service autorizat lângă dvs., vizitați <http://uk.ryobitools.eu/header/service-and-support/service-agents>.

## LV GARANTĪJA

Papildus visām likumā paredzētajām tiesībām saistībā ar iegādi šim izstrādājumam ir turpinājuma izklāstīta garantija.

1. Garantijas periods patērētājiem ir 24 mēneši, un tas sākas izstrādājuma iegādes dienā. Šim datumam ir jābūt dokumentētām rēķinā vai citā iegādi apliecinošā dokumentā. Šis izstrādājums ir izgatavots un paredzēts vienīgi patērētājam un privātai lietošanai. Profesionālais vai komerciālais lietošanas gadījumā garantija nav spēkā.
2. Atsevišķos gadījumos (piem., akcija, vairāki instrumenti) pastāv iespēja pagarināt garantijas periodu virs sešmēnešu perioda, reģistrējot to [www.ryobitools.eu](http://www.ryobitools.eu) vietnē. Instrumenta pielietojums ir skaidri norādīts veikalos un/vai uz iepakojuma. Lietotājiem ir jāreģistrē savj jauniegūtie instrumenti tiešsaistē 8 dienu laikā no iegādes datuma. Lietotājs var reģistrēties pagarinātajai garantijai savā dzīvesvietas valstī, ja tā ir norādīta tiešsaistes reģistrācijas veidlapā, kur pieejama šī iespēja. Turklāt lietotājiem ir jāievada dati tiešsaistē, jādod piekrišana šo datu uzglabāšanai un jāpiekrīt noteikumiem. Saņemtais reģistrācijas apstiprinājums, kas izsūtīts pa e-pastu, un rēķina oriģināls, kurā redzams iegādes datums, ir pagarinātās garantijas pierādījums. Jūsu likumā paredzētās tiesības netiek ietekmētas.
3. Garantija attiecas uz visiem izstrādājuma bojājumiem, kas radušies garantijas perioda laikā iegādes dienā esošo izgatavošanas vai materiāla defektu dēļ. Garantija ir ierobežota līdz remontam un/vai nomaizai un neietver citus pienākumus, ieskaitot, bet neaprobežojoties ar nejausiem vai netiešiem zaudējumiem. Garantija nav spēkā, ja izstrādājums ir liets nepareizi vai neievērojot rokasgrāmatas norādījumus vai ticis nepareizi savienots. Garantija netiecas uz:
  - izstrādājuma bojājumiem, kas radušies nepareizas apkopes dēļ;
  - izstrādājumiem, kas tikusi pielāgoti vai pārveidoti;
  - izstrādājumiem, kuru oriģinālais identifikācijas marķējums (preču zīme, sērijas numurs) ticis sabojāts, pārveidots vai noņemts;
  - bojājumiem, kurus izraisījuši rokasgrāmatas norādījumu neievērošana;
  - izstrādājumiem bez CE marķējuma;
  - izstrādājumiem, kurus ir mēģinājis remontēt nekvalificēts speciālists vai kuri remontēti bez Techronic Industries atļaujas;
  - izstrādājumiem, kas tikusi pievienoti neatbilstoši energopadevei (apmēri, spriegums, frekvence);
  - izstrādājumiem, kuros izmantots nepareizs degvielas maisījums (degviela, eļļa, eļļas daudzums);
  - bojājumiem, kurus izraisījuši ārēja iedarbība (ķīmiska, fiziska, triecieni) vai svešas vielas;
  - normālu detaļu nolietojumu un nodilumu;
  - instrumenta nepareizu lietošanu, pārslodzi;
  - neapstiprinātu detaļu un piederumu lietošanu;
  - karburatoru pēc 6 mēnešiem, karburatora regulējumiem pēc 6 mēnešiem;
  - komponentiem (detaļām un piederumiem), kas ir pakļauti dabiskam nodilumam un nolietojumam, ietvert, bet neaprobežojoties ar darbināšanas pogām, piedziņas siksnām, dzīvzoga trimeru un zāles plāvēji asmeņiem, plecu turētāju, kabeļa droseli, ogļekļa sukām, elektrības vadu, tapām, filca starplikāvi, sakabes tapām, pūtēja ventilatoriem, pūtēja un vakuuma caurulēm, vakuuma maisiem un lencēm, virzošajiem stieņiem, zāga ķēdēm, šļūtenēm, savienotāja stiprinājumiem, smidzināšanas sprauslām, riteņiem, smidzināšanas nūjām, iekšējiem ruļļiem, ārējām spolēm, griešanas auklām, aizdedzes svečēm, gaisa filtriem, gāzes filtriem, mulčēšanas asmeņiem u. c.;
4. Ja nepieciešams veikt remontu, izstrādājums jānosūta vai jānodod RYOBI pilnvarotam servisa centram, kas norādīts pie attiecīgās valsts servisa centru adresu sarakstā. Atsevišķas valstīs vietējais RYOBI dīleris uzņemas nosūtīt izstrādājumu RYOBI servisa organizācijai. Nosūtīt izstrādājumu RYOBI servisa centram, izstrādājuma jābūt droši iepakotam bez bīstama satura, piemēram, degvielas, marķētam ar sūtītāja adresi un kopā ar īsu aprakstu par defektu.
5. Remonts/nomaiza šīs garantijas ietvaros ir bez maksas. Tas nepagarina un neuzsāk jaunu garantijas periodu. Nomainītās detaļas un instrumenti nonāk mūsu īpašumā. Atsevišķas valstīs piegādes maksa un pasta izdevumi jāsedz sūtītājam.
6. Šī garantija ir derīga Eiropas Kopienā, Šveicē, Islandē, Norvēģijā, Lihtenšteinā, Turcijā un Krievijā. Ārpus šiem reģioniem, lūdzu, sazinieties ar savu pilnvaroto RYOBI dīleri, lai noskaidrotu, vai ir spēkā cita garantija.

## AUTORIZĒTS APKALPOŠANAS CENTRS

Lai atrastu tuvāko autorizēto apkalpošanas centru, apmeklējiet <http://uk.ryobitools.eu/header/service-and-support/service-agents>.

## LT GARANTĪJA

Beįstatymais nustatyty teisių, įgyjamų nusipirkus šį produktą, produktui taikoma toliau nurodyta garantija.

1. Pirkėjams galiojantis garantinis periodas yra 24 mėnesiai ir prasideda nuo produkto pirkimo datos. Data turi būti nurodyta sąskaitoje-faktūroje arba kitame pirkimą įrodančiame dokumente. Produktas sukurtas ir skirtas tik naudotojui ir tik asmeniniam naudojimui. Todėl garantija netaikoma produktą naudojančiam profesionaliam ar komerciniam tikslais.
2. Kai kuriais atvejais yra galimybė pratęsti garantinį laikotarpį iki toliau nurodyto laikotarpio, prieš tai užsiregistruvus [www.ryobitools.eu](http://www.ryobitools.eu) svetainėje. Įrankio tinkamumo aiškiai parodytas parduotuvėse ir (arba) ant pakuotės. Galutinis naudotojas turi užregistruoti savo naujai įsigytus įrankius internetu per 8 dienas nuo jų pirkimo datos. Galutinis naudotojas gali užsiregistruoti dėl garantijos pratęsimo savo šalyje, jei ši pateikta registracijos internetu formoje, kurioje galimas šis pasirinkimas. Be to, galutiniai naudotojai privalo duoti savo sutikimą laikyti duomenis, kuriuos reikia įvesti internete, ir jie turi sutikti su sąlygomis ir nuostatomis. Registracijos patvirtinimo pranešimas, išsiunčiamas el. paštu, ir originali sąskaityta faktūra, kurioje nurodyta pirkimo data, įrodo pratęstą garantiją. Jūsų įstatymuose nustatytioms teisėms nebus pakenkta.
3. Garantiniu laikotarpiu garantija taikoma visiems produkto trūkumams, atsiradusiems dėl prastos darbo kokybės arba prastu produkto medžiagu pirkimo dieną. Garantija taikoma tik taisymui ir (arba) pakeitimui ir joje nenumatyti jokie kiti įsipareigojimai, įskaitant, bet neapsiribojant atsiiktine ar susijusia žala. Garantija negalioja produktą netinkamai naudojant, priešingai vadove nurodytoms instrukcijoms, arba netinkamai prijungus. Garantija netaikoma šiais atvejais:
  - produktui padaryti žalai netinkamai atliekant produkto techninę priežiūrą;
  - pakeistam arba modifikuotam produktui;
  - bet kokiems produktams, kurių originalios identifikacijos (prekės ženklas, serijos numeris) žymės buvo sugadintos, pakeistos ar pašalintos;
  - bet kokiai žalai, patirtai nesaikant naudojimo vadovo;
  - bet kokiam CE nepaženklintam produktui;
  - bet kokiam produktui, kurį bandė taisyti nekvalifikuotas specialistas, arba iš anksto negavus „Techronic Industries“ leidimo;
  - bet kokiam produktui, įjungtam į netinkamą maitinimo tinklą (amperai, įtampa, dažnis);
  - bet kokiam produktui, naudojamam su netinkamu degalų mišiniu (degalai, alyva, alyvos procentinis kiekis);
  - bet kokiai žalai, kilusiai dėl išorinio poveikio (cheminis, fizinis poveikis, smūgiai) arba pašalinii medžiagu;
  - įprastam atsarginių dalių dėvėjimuisi;
  - produktą netinkamai naudojant arba jį perkrovus;
  - naudojant nepatvirtintus priedus arba dalis;
  - karbiuratoriu po 6 mėnesių, karbiuratoriaus reguliavimui po 6 mėnesių;
  - komponentams (dalims ir priedams), kurie dėvisi savaime, įskaitant, bet neapsiribojant iškiliais mygtukais, diržinėmis pavaromis, sankaba, gyvatvorės žirklių arba vejos pjovimo mašinų asmeņimis, diržais, kabeļo droseliu, anglies šepetėliais, maitinimo laidu, virbams, veltinio poveržlėmis, traukimo kaiščiais, pūtimo ventiliatoriais, pūstuvu ir siurblio vamzdziais, siurblio maišeliu ir dirželiais, kreipiamaisiais strypais, pjūklų grandinėmis, žarnelėmis, jungtimis, purkštukais, ratais, purškimo lazdelėmis, vidiniais suktaivais, išorinėmis ritėmis, smulktinuvais, uždegimo žvakėmis, oro filtrais, dujų filtrais, mulčiavimo asmeņimis ir t. t.;
4. Norint atlikti techninį aptarnavimą, produktą reikia nusiųsti arba pristatyti į vieną iš RYOBI įgaliotų techninio aptarnavimo punktų, esančių kiekvienoje šalyje toliau pateiktame aptarnavimo punktų adresų sąraše. Kai kuriose šalyse jūsų vietinis RYOBI pardavėjas gali nusiųsti produktą į RYOBI techninio aptarnavimo punktą. Siunčiant produktą į RYOBI techninio aptarnavimo punktą, produktą reikia saugiai supakuoti, prieš tai iš jo pašalinus pavojingas medžiagas, pavyzdžiu, benzina, nurodyti siuntėjo adresą ir pridėti trumpą gedimo aprašymą.
5. Pagal šią garantiją taisymo ar keitimo darbai atliekami nemokamai. Garantijoje nenumatytas garantijos pratęsimas ar naujo garantinio laikotarpio pradėjimas. Pakeistos dalys arba įrankiai tampa mūsų nuosavybe. Kai kuriose šalyse pristatymo ar siuntimo paštu išlaidas turi padengti siuntėjas.
6. Ši garantija taikoma Europos bendrijoje, Šveicarijoje, Islandijoje, Norvegijoje, Lihtenšteinėje, Turkiijoje ir Rusijoje. Kitose šalyse kreipkitės į savo įgaliotą RYOBI pardavėją, norėdami sužinoti, ar taikoma kita garantija.

## ĮGALIOJAS TECHININĖS PRIEŽIŪROS CENTRAS

Jei norite surasti įgaliotą techninės priežiūros centrą netoli Jūsų, apsilankykite interneto svetainėje <http://uk.ryobitools.eu/header/service-and-support/service-agents>.



## ET GARANTIID

Lisaks ostu puhul kaasnevate seadusjärgsetele õigustele kehtib tootele allpool esitatud tingimustega garantiid.

- Ostja poolt ostetud tootele on kehtestatud garantiiperiood 24 kuud ja see hakkab kehtima toote ostmise kuupäeval. See kuupäev on märgitud arvele või muule ostu tõendavale dokumendile. Toode on ette nähtud ostjale ainult isiklikuks kasutamiseks. Kui toodet kasutatakse ametialasel või äriistel eesmärkidel, siis garantiid ei kehti.
- Mõnel juhul (nt reklaam, seadmete seeria) on võimalik pikendada garantiiperioodi pikemaks ajaks kui ülal mainitud, kui kasutatakse registreerimist veebisaidil [www.ryobitools.eu](http://www.ryobitools.eu) kaudu. Registreerimise tingimused on välja pandud kauplustesse ja/või on pakendil. Lõppkasutaja peab oma uued tüüristad veebis registreerima 8 päeva jooksul alates ostukuupäevast. Lõppkasutaja võib registreerida end pikendatud garantiis oma asukohamaal, kui see on esitatud veebis registreerimise loendil, seal kus see vaik on olemas. Peale selle, lõppkasutajad peavad andma nõusoleku enda andmete salvestamiseks, mida vajatakse veebi sisenumismiseks ja nõustuma esitatud tingimustega. Pikendatud garantiid kehtivust tõendab e-postiga saadetud registreerimise kinnitusteade ja algupärane arve, millel on ostukuupäev. Teie seadusjärgsed õigused jäävad mõjutamata.
- Garantiid kehtib kõikidele ostukuupäevast kehtima hakkaval garantiiperioodil ilmnenu rike suhtes, mis on tingitud töötlemis- või materjalivigadest. Garantiid on piiratud remondi ja/või asendamise ja ei sisalda muid kohustusi, kuid mitte ainult, kaasneva või tuleneva kahju eest. Garantiid ei kehti, kui toodet on väärkasutatud, kasutusjuhendis nimetatud otstarbele mittevastavalt kasutatud või toode on ebaõigesti ühendatud. See garantiid ei rakendu järgmistel juhtudel:
  - tootel on mingi vigastus, mis on põhjustatud ebaõigest kasutamisest,
  - toodet on mingil viisil ümber ehitatud või muudetud,
  - toote algupärane tuvastusmarkering (kaubamärk, seerianumber) on kahjustatud, ümber tehtud või eemaldatud,
  - tootel on mingi vigastus, mis on tingitud kasutusjuhendi mittejälgimisest,
  - toode ei ole CE-märgisega,
  - toodet on püüdnud parandada ebaõiged spetsialist või seda on tehtud ilma Techtron Industries volitusteta,
  - toode on ühendatud selleks mitteettnähtud elektritoitevõrguga (väär voolu tugevus, pinge või sagedus),
  - tootes on kasutatud mitteettnähtud kütusesegu (kütus, õli, väär õli vahetork),
  - tootel on vigastus välistmõjudest (keemilised või füüsilised mõjud või löögid),
  - toote varuosadel ilmneb tavapärane kulumine,
  - toodet on ebaõigesti kasutatud või üle koormatud,
  - tootel on kasutatud mitteettnähtud tarvikuid või osi,
  - toote karburaator pärast 6 kuu möödumist, toote karburaatori säätet pärast 6 kuu möödumist,
  - toote koostesadel (osad ja tarvikud) ilmneb tavapärane kulumine järgmistel detailidel (kuid mitte ainult): etteandenu, ajamirihmad, sidur, hekiõikuri või muruniiduki terad, rakmed, gaasitross, süsinikharjad, toitejuhe, piid, viilseidid, vedruthvitid, puhumisventilaatorid, puhuri ja imuri torud, imisüsteemi kotid ja ribad, juhtvardad, saeketid, voolikud, ühendusliitmikud, düüsid, rattad, pihustustorud, siseturmid, välispoolid, lõikeõhvid, süüteküünlad, õhufiltrid, gaasifiltrid, multšimisterad jne.
- Hooldamiseks tuleb toode saata või tuua mõnda RYOBI volitatud hoolduspunkti, mis on esitatud loendis iga riigi jaoks ja milles on hoolduspunkti aadressid. Mõnes riigis kohustub RYOBI edasimüüja saatma toote RYOBI hooldusasutusse. Kui toode saadetakse RYOBI hooldusasutusse, tuleb toode turvaliselt ära pakkida ilma, et sellesse jääks ohtlikku sisu, näiteks bensiin ja pakendile tuleb märkida saatja aadress ja riike lühikirjeldus.
- Selle garantiid alusel tehtud remont/asendus on tasuta. Sellega ei kaasne garantiiperioodi pikemine või uue garantiiperioodi algus. Asendatud osad ja tüüristad jäävad meie omandusse. Mõnes riigis tuleb saate- või postikulud tasuda saatja poolt.
- See garantiid kehtib Euroopa Liidus, Šveitsis, Islandil, Norras, Liechtensteinis, Ungaris ja Venemaal. Väljaspool neid riike võtke ühendust Ryobi volitatud edasimüüjaga, et teada saada teistsuguste garantiid kehtivus.

## VOLITATUD HOOLDUSKESKUS

Oma volitatud hoolduskeskuse leiate veebisaidil <http://uk.ryobitools.eu/header/service-and-support/service-agents>.

## HR JAMSTVO

U dodatku svih zakonskih prava koja proizlaze kao rezultat kupnje, ova proizvod pokriven je jamstvom kao što je utvrđeno u nastavku.

- Jamstveno razdoblje je 24 mjeseca za korisnike, a započinje na datum kupnje proizvoda. Ovaj datum treba biti dokumentiran računom ili nekim drugim dokazom o kupnji. Proizvod je dizajniran i namijenjen samo za korisnike i osobno korištenje. Stoga nema omogućenog jamstava u slučaju profesionalnog ili komercijalnog korištenja.
- U nekim slučajevima (primjerice promocije, paleta alata) postoji mogućnost produženog jamstvenog razdoblja preko gore navedenog razdoblja korištenjem registracije na web mjestu [www.ryobitools.eu](http://www.ryobitools.eu). Sukladnost alata jesno je prikazana u trgovini i/ili na pakiranju. Krajnji korisnik treba registrirati svoje novo pribavljene alate na mreži unutar 8 dana od datuma kupnje. Krajnji korisnik može se registrirati za produženo trajanje jamstava u svojoj zemlji stanovanja ako je navedena na mrežnom obrascu za registraciju gdje je ova opcija valjana. Nadalje, krajnji korisnici moraju dati svoje odobrenje za spremanje podataka koji su potrebni za unos na mreži i moraju prihvatiti uvjete i odredbe. Primatka potvrde o registraciji, koja se šalje e-poštom i originalni račun koji prikazuje datum kupnje služe kao dokaz produženog jamstva. Vaša zakonska prava ostaju nepromijenjena.
- Jamstvo pokriva sve kvarove proizvoda tijekom jamstvenog razdoblja zbog pogreški u izradi ili materijalu na datum kupnje. Jamstvo je ograničeno na popravak i/ili zamjenu i ne uključuje nikakve druge obveze uključujući ne ograničavajući se na slučajne ili posljedice štete. Jamstvo nije valjano ako je proizvod pogrešno korišten, korišten suprotno od korisničkog priručnika ili je nepravilno priključen. Ovo jamstvo se ne primjenjuje na:
  - svako oštećenje proizvoda koje je rezultat nepravilnog održavanja
  - svaki proizvod koji je izmijenjen ili modificiran
  - svaki proizvod gdje su originalne identifikacijske oznake (zaštitni znak, serijski broj) izbrisane, zamijenjene ili uklonjene
  - svako oštećenje uzrokovano neprikladnim korištenjem priružnika
  - svaki proizvod koji nije CE
  - svaki proizvod koji je pokušao popraviti nevalificirani profesionalac ili bez prethodnog odobrenja od strane Techtron Industries
  - svaki proizvod priključen na nepravilno napajanje energijom (amperi, napon, frekvencija)
  - Svaki proizvod korišten s neodgovarajućom mješavinom (gorivo, ulje, postotak ulja)
  - svako oštećenje uzrokovano vanjskim utjecajima (kemijsko, fiziko, udar) ili stranim stvarima
  - normalno trošenje i habanje rezervnih dijelova
  - nepravilno korištenje, preopterećenje alata
  - korištenje neodobrenog dodatnog pribora ili dijelova
  - rasplinjača nakon 6 mjeseci, podešavanje rasplinjača nakon 6 mjeseci
  - komponente (dijelovi i dodatni pribor) koji su predmet prirodno trošenja i habanja, uključujući ne ograničavajući se na gumbce za otpuštanje, pogonske remene, spojku, oštrice trimera za grmlje ili kosilicu, kope, sajle gasa, ugljene četke, kabele za napajanje, nožve, podloške, ztkice za zglobnu vezu, ventilatore puhalice, cijevi za ispuhivanje i usisavanje, vakuumske vrećice i trake, vodilice, lance pile, crijeva, priključene elemente, mlaznice za raspršivanje, kotače, kopljica za raspršivanje, unutarne kolute, vanjske kaleme, flaksove, svječice, filtre za zrak, filtre za plin, oštrice za usitnjavanje itd.
- Za servisiranje, proizvod se mora poslati ili predati ovlaštenoj stanici za servis tvrtke RYOBI navedenoj za svaku zemlju u sljedećem popisu adresa stanica za servis. U nekim zemljama vaša lokalni RYOBI zastupnik obavezan je poslati proizvod u servisnu organizaciju tvrtke RYOBI. Prilikom slanja proizvoda u stanicu za servis tvrtke RYOBI, proizvod treba biti sigurno pakiran bez ikakvog opasnog sadržaja poput benzina, s označenom adresom pošiljatelja i pripadajućim kratkim opisom pogreške.
- Popravak/zamjena pod ovim jamstvom se ne naplaćuje. Ne produžuje zakonsko ili ne započinje novo jamstveno razdoblje. Zamijenjeni dijelovi ili alati postaju naše vlasništvo. U nekim zemljama pošiljatelj plaća poštarinu.
- Ovo jamstvo je valjano u Europskoj zajednici, Švicarskoj, Islandu, Norveškoj, Lichtenštajnu, Turskoj i Rusiji. Izvan ovih područja molimo vas da kontaktirate vašeg ovlaštenog zastupnika RYOBI kako biste odredili ako se primjenjuje druga jamstva.

## OVLAŠTENI SERVISNI CENTAR

Za pronalaženje ovlaštenog servisnog centra pored vas posjetite <http://uk.ryobitools.eu/header/service-and-support/service-agents>.

## SL GARANCIJA

Poleg kakršnih koli zakonskih pravic, ki jih pridobite z nakupom, za ta izdelek velja tudi garancija, kot je opisano spodaj.

1. Garancijsko obdobje je 24 mesecev za potrošnike in se začne z datumom nakupa. Ta datum mora biti dokumentiran z računom ali drugim dokazilom o nakupu. Izdelek je namenjen in posevčen le potrošniški in zasebni uporabi. Zato garancija ne velja za profesionalno ali komercialno uporabo.
2. V nekaterih primerih (npr. promocija, obseg orodij) obstaja možnost podaljšanja garancijskega obdobja prek zgoraj opisanega obdobja, kar je mogoče storiti z registracijo na spletnem mestu [www.ryobitools.eu](http://www.ryobitools.eu). Namen orodja je jasno označen v trgovinah in/ali na embalaži. Končni uporabnik mora svoje novo orodje registrirati prek spleta v 8 dneh od datuma nakupa. Končni uporabnik se lahko registrira za podaljšano garancijo v svoji državi, kjer ima stalno prebivališče, če je država vključena na seznam v obrazcu za registracijo, kjer je ta možnost veljavna. Poleg tega mora končni uporabnik odobriti shranjevanje podatkov, ki so potrebni za spletni vstop, in morajo sprejeti pogoje in določila. Potrdilo o registraciji, ki se pošlje po e-pošti, ter originalni račun, na katerem je naveden datum nakupa, veljata kot dokazilo o podaljšani garanciji. Vaše zakonske pravice ostanejo nespremenjene.
3. Garancija krije vse okvare izdelka med garancijskim obdobjem zaradi napak v izdelavi ali materialu na datum nakupa. Garancija je omejena na popravilo/zamenjavo in ne vključuje drugih obveznosti, med drugim ne vključuje obveznosti zaradi nenamerne ali posledične škode. Garancija ni veljavna, če je bil izdelek zlorabljen, uporabljen v nasprotju z navodili za uporabo ali nepravilno priključen. Garancija ne velja:
  - za kakršno koli poškodbo izdelka, ki je posledica neprimernega vzdrževanja,
  - če je bil izdelek spremenjen ali modificiran,
  - če so originalne identifikacijske oznake (blagovna znamka, serijska številka) na izdelku poškodovane, spremenjene ali odstranjene,
  - če je do poškodbe prišlo zaradi neupoštevanja navodil za uporabo,
  - za katere koli izdelke, ki niso skladni z oznako CE,
  - če je izdelek poskusil opraviti neusposobljen strokovnjak ali brez predhodne odobritve družbe Techtronic Industries,
  - če je bil izdelek priključen na neustrezno električno omrežje (jakost, napetost, frekvenca),
  - če je bil izdelek uporabljen z neustrezno mešanico goriva (gorivo, olje, odstotek olja),
  - če je do poškodbe prišlo zaradi zunanjih vplivov (kemični, fizični, udarci) ali tujih snovi,
  - za normalno obrabo nadomestnih delov,
  - neustrezne uporabe, preobremenitve orodja,
  - uporabe neodobrenih dodatkov ali delov,
  - za uplinjač po 6 mesecih, prilagoditve uplinjača po 6 mesecih,
  - za sestavne dele (dele in dodatke), ki so podvrženi normalni obrabi, med drugim za vzmetne gume, pogonske jermene, sklopko, rezila obrezovalnikov ali kosilnic, nosilni trak, kabelske dušilke, karbonskih krtačk, napajalnega kabla, zobovje, polstene podložke, varnostne zatiče, ventilatorje, puhalne in sesalne cevi, sesalne vreče in trakove, vodila, verige za žage, gibljive cevi, nastavke priključkov, pršilne šobe, kolesa, pršilne palice, notranje kolute, zunanja vretena, rezalne nitke, vzgibalne svečke, zračne filtre, plinske filtre, drobilna rezila itd.,
4. Za servisiranje je treba izdelek poslati ali prinesiti v pooblaščen servisni center RYOBI, ki je za vsako državo naveden na naslednjem seznamu z naslovi servisnih centrov. V nekaterih državah pošiljanje izdelka servisnemu centru RYOBI prevzame lokalni trgovec z izdelki RYOBI. Za pošiljanje servisnemu centru RYOBI mora biti izdelek varno zapakiran, brez kakršnih koli nevarnih snovi, npr. gorivo, označen z naslovom pošiljatelja, priložen pa mora biti kratek opis napake.
5. Popravilo/nadomestilo v sklopu te garancije je brezplačno. Ne pomeni podaljšanja ali novega začetka garancijskega obdobja. Zamenjani deli ali orodja postanejo naša last. V nekaterih državah mora stroške pošiljanja ali dostave poravnati pošiljatelj.
6. Ta garancija je veljavna v Evropski skupnosti, Švici, na Islandiji, Norveškem, v Liechtensteinu, Turčiji in Rusiji. Izven teh področij stopite v stik s pooblaščenim trgovcem RYOBI, da ugotovite, ali velja katera druga garancija.

### POOBLAŠČEN SERVISNI CENTER

Pooblaščen servisni center blizu vas poiščite na <http://uk.ryobitools.eu/header/service-and-support/service-agents>.

## SK ZÁRUKA

Okrem zákonných práv vyplývajúcich zo zakúpenia je tento produkt pokrytý zárukou, ako je uvedené nižšie.

1. Záručná doba pre spotrebiteľov je 24 mesiacov a začína dňom zakúpenia produktu. Tento dátum musí byť zdokumentovaný faktúrou alebo iným dokladom o kúpe. Tento produkt je navrhnutý a určený len na potrebné a osobné použitie. Takže v prípade profesionálneho alebo komerčného použitia neplatí žiadna záruka.
2. V niektorých prípadoch (napr. reklamná akcia, rad produktov) existuje možnosť predĺženia záručnej doby nad dobu uvedenú vyššie pomocou registrácie na webovej stránke [www.ryobitools.eu](http://www.ryobitools.eu). Spôsobilosť nástroja je zreteľne zobrazená v obchodoch a ha obale. Koncový používateľ si musí zaregistrovať svoje novonadobudnuté nástroje online do 8 dní odo dňa zakúpenia. Koncový používateľ sa môže zaregistrovať za účelom získania predĺženej záruky vo svojej krajine, ak je uvedená v online registračnom formulári, kde je táto možnosť platná. Okrem toho musia koncoví používatelia poskytnúť súhlas k uloženiu údajov, ktoré sa zadávajú online a musia súhlasiť so zmluvnými podmienkami. Doklad s potvrdením o registrácii, ktorý posielame prostredníctvom e-mailu a originál faktúry s uvedeným dátumom zakúpenia slúžia ako dôkaz predĺženej záruky. Vaše zákonné práva ostávajú nedotknuté.
3. Táto záruka pokrýva všetky poruchy produktu počas záručnej doby, ktoré vznikli následkom nedostatkov vo vypracovaní alebo materiáli v deň zakúpenia. Táto záruka je omezená na opravu alebo výmenu a nezahŕňa ďalšie povinnosti, napríklad vedľajšie alebo následné škody. Táto záruka je neplatná, ak bol produkt požívaný nesprávne, používaný v rozpore s návodom na použitie alebo nesprávne pripojený. Táto záruka sa nevzťahuje na:
  - akékoľvek poškodenie produktu, ku ktorému došlo následkom nesprávnej údržby
  - akýkoľvek produkt, ktorý bol pozmenený alebo upravený
  - akýkoľvek produkt, na ktorom boli poškodené pozmenené alebo odstránené originálne identifikačné znaky (obchodná známka, sériové číslo)
  - akékoľvek poškodenie spôsobené následkom neododržania návodu na použitie
  - akýkoľvek produkt iný ako CE
  - akýkoľvek produkt, o ktorého opravu sa pokúšal nekvalifikovaný odborník alebo v prípade opravy bez predchádzajúceho oprávnenia od spoločnosti Techtronic Industries
  - akýkoľvek produkt pripojený k nesprávnejmu napájaciemu zdroju (prúd, napätie, frekvencia)
  - akýkoľvek produkt používaný s nevhodnou palivovou zmesou (palivo, olej, percento oleja)
  - akékoľvek poškodenie spôsobené vonkajšími vplyvmi (chemické, fyzické, nárazy) alebo cudzími látkami
  - bežné opotrebenie náhradných dielov
  - nesprávne používanie a pretážovanie nástroja
  - používanie neschváleného príslušenstva alebo dielov
  - karburátor po 6 mesiacoch, úpravy karburátora po 6 mesiacoch
  - komponenty (diely a príslušenstvo), ktoré podliehajú prirodzenému opotrebeniu, napríklad pružinové tlačidlá, hnacie remene, spojka, ostria strihača živého plotu alebo kosačky trávy, postroj, ťahadlo škrťacej klapky, uhlikové kefky, napájaci kábel, končeky, plstené podložky, kolíky s háčikom, ventilátory dýchadla, rúrky dýchadla a vysávača, vrecko a remene vysávača, vodiace lišty, pilové reťaze, hadice, konektorové armatúry, rozprašovače trysky, koleska, striekacie tyče, vnútorné navijaky, vonkajšie cievy, rezné drôty, zapalovače sviečky, vzduchové filtre, benzínové filtre, mulčovacie ostria a pod.
4. Na servis sa musí produkt odoslať alebo predložiť autorizovanému servisnému centru RYOBI uvedenému pre každú krajinu v nasledujúcom zozname adres servisných stanic. V niektorých krajinách pošle produkt do servisnej organizácie RYOBI váš miestny predajca produktov RYOBI. Pri odoslaní produktu do servisnej stanice RYOBI musí byť produkt bezpečne zabalený bez akéhokoľvek nebezpečného obsahu, napríklad paliva, označený adresou odosielateľa a musí byť k nemu priložený krátky popis poruchy.
5. Oprava či výmena v rámci tejto záruky je bezplatná. Nevplyvja z nej predĺženie či nový začiatok záručnej doby. Vymenené diely alebo nástroje sa stávajú našim majetkom. V niektorých krajinách doručovací poplatok alebo poštovné platí odosielateľ.
6. Táto záruka je platná v Európskej únii, Švajčiarsku, na Islande, v Nórsku, Lichtenštajnsku, Turecku a Rusku. Mimo týchto oblastí kontaktujte autorizovaného predajcu spoločnosti Ryobi, u ktorého zisľíte, či platí nejaká iná záruka.

### AUTORIZOVANÉ SERVISNÉ CENTRUM

Ak chcete nájsť najbližšie autorizované servisné centrum, navštívte stránku <http://uk.ryobitools.eu/header/service-and-support/service-agents>.

## **BG** ГАРАНЦИЯ

В допълнение към законоустановените права, произтичащи от покупката, този продукт е обхванат от гаранция, както е изложено по-долу.

- Гаранционният срок е 24 месеца за клиенти и започва да тече от деня на закупуване на продукта. Тази дата трябва да се докаже с фактура или друго доказателство за покупка. Продуктът е изработен и предназначен само за потребителска и лична употреба. Следователно не се дава гаранция в случай на използване от професионалисти или с търговска цел.
- В някои случаи (като промоция, гама инструменти) съществува възможност за удължаване на гаранционния срок след изтичането на описания тук чрез регистрация на уеб сайта [www.yobitools.eu](http://www.yobitools.eu). Дали инструментът отговаря на условията за такова удължаване, ясно показано в магазини и/или върху опаковката. Крайният потребител трябва да регистрира своите новопридобити инструменти онлайн в рамките на 8 дни от датата на покупка. Крайният потребител може да се регистрира за удължена гаранция в държавата си на пребиваване, ако е посочена във формуляра за онлайн регистрация като място, където тази опция е валидна. Освен това крайните потребители трябва да дадат съгласието си за съхранение на данните, които са задължителни за ползване онлайн, и трябва да приемат общите условия. Полученото потвърждение за регистрация, изпратено по имейл, и оригиналната фактура, показваща датата на покупка, ще служат като доказателство за удължаване гаранция. Законоустановените Ви права остават незаосенати.
- Гарантията покрива всички дефекти на продукта по време на гаранционния срок, които се дължат на проблеми в изработката или материалите към момента на покупката. Гаранцията е ограничена до ремонт и/или замяна и не включва други задължения, включително, но не само, случайни или закономерни щети. Гаранцията е невалидна, ако продуктът е използван неправилно или в противоречие с ръководството с инструкции, както и ако е свързан неправилно. Тази гаранция не важи за:
  - щети по продукта в резултат на неправилна профилировка;
  - продукти, които са били изменени или модифицирани;
  - продукт, при който оригиналните маркировки за идентификация (търговска марка, серийн номер) са изтрити, променени или премахнати;
  - повреда, причинена от неспазване на ръководството с инструкции;
  - продукт без CE маркировка;
  - продукт, за който е направен опит за ремонт от невалифициран специалист или без предварително разрешение от Techtronic Industries;
  - продукт, свързан към неподходящо електрохранване (ампераж, волтаж, честота);
  - продукт, използван с неподходяща горивна смес (гориво, масло, процент масло);
  - щети, причинени от външни влияния (химични, физични, удари) или чужди вещества;
  - нормално износване на резервни части;
  - неподходяща употреба, претоварване на инструмента;
  - използване на неодобрени аксесоари или части;
  - карбуратор след 6 месеца, настройки на карбуратора след 6 месеца;
  - компоненти (част и аксесоари), подложени на естествено износване, включително, но не само, кошчета за тласкане, задвижващи ремъци, съединител, остриета на ножници за жив плет, косачки, самар, кабелен дросел, карбонови четки, захванващ кабел, остриета, фицови шайби, осигурителни цифрове, вентилатори на уреди за обдухване, тръби за обдухване и всмукване, торба за отпадъци и ремъци, водеща шпера, вериги за триони, маркучи, фитинги на конектори, дюзи, копела, пръскалки, вътрешни и външни макари, рещецо влакно, запалителни свещи, въздушни филтри, горивни филтри, остриета за мулчиране и т.н.
- За обслужване продуктът трябва да се изпрати или занесе на оторизиран сервиз на RYOBI, посочен за всяка държава в следния списък с адреси на сервиси. В някои държави местният търговец на RYOBI поема да изпрати продукта до сервизен център на RYOBI. При изпращане на продукт до сервиз на RYOBI продуктът трябва да е опакован безопасно без опасност съдържание, като бензин, да е маркиран с адреса на подателя и придружен от кратко описание на повредата.
- Ремонът или замяната по силата на тази гаранция са безплатни. Те не водят до удължаване или подновяване на гаранционния срок. Сменените части или инструменти стават наша собственост. В някои държави таксите за доставка или изпращане трябва да се платят от подателя.
- Тази гаранция е валидна в Европейската общност, Швейцария, Исландия, Норвегия, Лихтенщайн, Турция и Русия. Извън тези области се свържете с упълномощения търговец на RYOBI, за да се установи дали са приложими други гаранции.

### УПЪЛНОМОЩЕН СЕРВИЗЕН ЦЕНТЪР

За да намерите упълномощен сервизен център близо до вас, посетете <http://uk.yobitools.eu/header/service-and-support/service-agents>.

## **UK** ГАРАНТИЯ

На додатък до любих законних прав, що випливають з покупки, цей продукт покривається гарантією, як зазначено нижче.

- Гарантійний термін складає 24 місяці від споживачів і, починається з дати придбання продукту. Ця дата повинна бути задокументована рахунком або іншим документом, що підтверджує покупку. Продукт розроблений і призначений для споживача і тільки для приватного використання. Таким чином, немає ніякої гарантії, у разі професійного або комерційного використання.
- Наведені деякі випадки (наприклад, підтримка, ряд інструментів), можливості розширення гарантійного терміну протягом періоду, описаного вище, з використанням реєстрації на сайті [www.yobitools.eu](http://www.yobitools.eu). Придатність інструменту чітко відображається в магазинах та / або на упаковці. Кінцевий користувач повинен зареєструвати його / її ново придбаний інструмент онлайн протягом 8 днів з моменту покупки. Кінцевий користувач може зареєструватися на розширену гарантію у своїй країні проживання, якщо ця країна є в онлайн формі реєстрації, де ця опція діє. Крім того, кінцеві користувачі повинні дати свою згоду на зберігання даних, які необхідні для онлайн входу і вони повинні прийняти терміни та умови. Квитанція підтвердження реєстрації, яка розсилається по електронній пошті, та оригінал рахунку-фактури із зазначенням дати покупки будуть служити доказом розширеної гарантії. Ваші законні права залишаються в силі.
- Гарантія покриває всі дефекти продукту протягом гарантійного періоду, пов'язані з недоліками виготовлення або матеріалу на дату покупки. Гарантія обмежується ремонтом та / або заміною, і не покриває будь-які інші зобов'язання, включаючи, але не обмежуючись випадковими або непрямими збитками. Гарантія не діє, якщо продукт неправильно використовувався всупереч інструкції, або був неправильно підключений. Ця гарантія не поширюється на:
  - будь-яке пошкодження продукту, яке є результатом неправильного технічного обслуговування
  - будь-який продукт, який був модифікований або модифікований
  - будь-який продукт, де оригінальні ідентифікаційні (торгова марка, серійний номер) маркування були зіпсовані, змінені або видалені
  - будь-який збиток, заподіяний в результаті недотримання керівництва з експлуатації
  - будь-який не CE продукт
  - будь-який виріб, який був відремонтований неваліфікованим спеціалістом або без попереднього дозволу Techtronic Industries
  - будь-який продукт підключений до неналежного живлення (підсилювачі, напруга, частота)
  - будь-який збиток, заподіяний зовнішнім впливом (хімічними, фізичними, ударами) або стороннім речовинами
  - передбачене зношення запасних частин
  - неправильне використання, перевантаження інструменту
  - використання незатверджених запасних частин або аксесуарів
  - карбуратор через 6 місяців, коригування карбуратора після 6 місяців
  - аксесоари електроінструменту надані з інструментом або куплені окремо. Такі вироби включають, але не обмежуються гвинтовою викруткою, свердлами, абразивними дисками, наждачним шпером і лезами, бінчим спрямовувачим пристроєм
  - компоненти (частини та аксесоари), схильні до природного зносу, в тому числі, але не обмежуючись щіткою, патроном, шнуром живлення, додатковою рукояткою, шліфувальними пластинами, мішком для пилу, витяжною трубою
- Для обслуговування виріб має бути відправлено або представлено в уповноважений RYOBI центр технічного обслуговування, перерахований для кожної країни в наступному списку адресів технічних центрів. У деяких країнах місцевий дилер RYOBI зобов'язується відправити виріб в сервісній організації RYOBI. При відправці продукту до станції технічного обслуговування RYOBI, продукт повинен бути надійно упакований, без жодного небезпечного вмісту, такого як бензин, відмічений адресною відправника і супроводжуватися коротким описом несправності.
- Ремонт / заміна по гарантії безкоштовні. Це не розширює або не починає новий гарантійний термін. Замінені частини або інструменти стають нашою власністю. У деяких країнах вартість доставки або відсилки повинні бути оплачені відправником.
- Ця гарантія дієсна в Європейському Співтоваристві, Швейцарії, Ісландії, Норвегії, Лихтенштейні, Туреччині та Росії. За межами цих областей, будь ласка, зв'яжіться з офіційним дилером RYOBI, щоб визначити, якщо поширюється інша гарантія

### АВТОРИЗОВАНІ СЕРВІСНІ ЦЕНТРИ

Для отримання оновленого переліка авторизованих сервісних центрів, відвідайте <http://uk.yobitools.eu/header/service-and-support/service-agents>

## TR GARANTI

Bu satın alma işleminden doğan tüm yasal haklara ek olarak, bu ürün aşağıda açıklanan garanti kapsamındadır.

1. Garanti süresi tüketiciler için 24 aydır ve bu süre ürünün satın alınması ile başlar. Bu tarih fatura veya başka bir satın alma belgesi ile kanıtlanmalıdır. Ürün sadece tüketici ve bireysel kullanım için tasarlanmıştır ve sunulmuştur. Profesyonel veya ticari amaçlı kullanımlarda garanti verilmez.
2. Bazı durumlarda (örn. tanıtım, aletlerin düzenlenmesi), yukarıda belirtilen garanti süresi uzatılabilir. Bunun için [www.ryobitools.eu](http://www.ryobitools.eu) İnternet sitesindeki kaydı yapmak gerekir. Aletin nitelikleri mağazalarda ve/veya ambalaj üzerinde açıkça belirtilmiştir. Son kullanıcı, aleti satın aldıktan sonra en geç 8 gün içinde aletin kaydını çevrim içi olarak yapmalıdır. Son kullanıcı, garanti uzatma seçeneğinin geçerli olduğu ülkelerden birindeyse kayıt yaptırarak bu fırsattan yararlanabilir. Ayrıca, son kullanıcılar çevrim içi giriş yapmak için gerekli olan verilerin saklanmasına izin vermeli, şartlar ve koşulları kabul etmelidir. E-posta ile gönderilen kayıt onay belgesi ve satın alma tarihini belgeleyen orijinal fatura garantinin uzatılmasını sağlamak için kanıt niteliği taşımaktadır. Yasal haklarınız aynı kalacaktır.
3. Garanti, ürünün satın alma tarihindeki tüm işçilik ve malzeme kusurlarından kaynaklanan tüm sorunları garanti süresi içinde kapsamaktadır. Garanti onarım ve/veya değişim ile sınırlıdır ve sadece istenmeyen arızalar, vb. durumlarda herhangi bir sorumluluk kabul edilmez. Ürünün yanlış kullanılması, kullanım kılavuzuna uygun kullanılmaması veya yanlış bağlantı kurulması durumunda garanti geçerliliğini yitirir. Garanti kapsamı dışındaki durumlar:
  - bakımın yanlış yapılmasından kaynaklanan tüm hasarlar
  - ürünün değiştirilmesi veya düzenlenmesi
  - ürünün orijinal teşhis (ticari sembol, seri numarası) işaretlerinin tahrip olması, değiştirilmesi veya çıkarılması
  - kullanım kılavuzunun dikkate alınmaması nedeniyle oluşan tüm hasarlar
  - ürünün AB ürünü olmaması
  - ürünün kalifiye olmayan bir kişi tarafından veya Techtronic Industries'in izni olmadan onarılmaya çalışılması
  - ürünün yanlış güç desteğine (amper, voltaj, frekans) bağlanması
  - dış etkenler (kimyasal, fiziksel, darbeler) veya yabancı cisimlerden kaynaklanan arızalar
  - yedek parçaların normal aşınması ve yıpranması
  - yanlış kullanım, aletin fazla yüklenmesi
  - onaylanmayan aksesuarların veya parçaların kullanılması
  - karbüratörlü sistemlerde karbüratör ayarlarının 6 ayın ardından yapılması
  - elektronik alet aksesuarlarının alet ile birlikte veya ayrı olarak satın alınması. Akülü vidalama uçları, matkap uçları, aşındırıcı diskler, zımpara kağıdı ve bıçakları, yatay kılavuz gibi parçaların dahil olduğu, ancak bu parçalarla sınırlı olmayan istisnalar
  - karbon fırçalar, kovan, elektrik kablosu, yardımcı kol, kumlama plakası, toz torbası, toz egzoz borusu gibi parçaların bulunduğu, ancak bu parçalarla sınırlı olmayan doğal aşınma ve yıpranmaya maruz kalan bileşenler
4. Tamir işlemi için ürünün, her ülke için listelenmiş olan aşağıdaki servis istasyonu adreslerinde bulunan bir RYOBI yetkili servis istasyonuna gönderilmesi veya verilmesi gerekir. Bazı ülkelerde yerel RYOBI satıcınız ürünü RYOBI servis istasyonuna gönderme işlemini üstlenir. RYOBI servis istasyonuna gönderilen ürün; içinde petrol gibi tehlikeli maddeler olmadan emniyetli bir şekilde paketlenmeli, gönderenin adresini ve sorunun kısa bir açıklamasını içermelidir.
5. Bu garanti kapsamında gerçekleşen bir onarım/değişim ücretsizdir. Bu tarz işlemler garanti süresini uzatmaz veya yeniden başlatmaz. Değiştirilen parçalar veya aletler firmamıza ait olur. Bazı ülkelerde teslimat masrafları veya posta ücreti gönderici tarafından ödenmelidir.
6. Bu garanti Avrupa Birliği, İsviçre, İzlanda, Norveç, Lihtenştayn, Türkiye ve Rusya'da geçerlidir. Bu bölgelerin dışında yer alan müşterilerin diğer garanti seçenekleri için yetkili RYOBI satıcısına danışmaları gerekir.

### YETKİLİ SERVİS MERKEZİ

En yakın yetkili servis merkezini öğrenmek için <http://uk.ryobitools.eu/header/service-and-support/service-agents> sitesine girin.

**EN** EC DECLARATION OF CONFORMITY

Techtronic Industries GmbH  
Max-Eyth-Straße 10, 71364 Winnenden, Germany

*Herewith we declare that the product*

Cordless Hedge Trimmer  
Brand: Ryobi  
Model number: RHT1855R40/RHT1851R25/RHT1851R20/RHT1851R15/  
OHT1855R/OHT1851R  
Serial number range:  
RHT1851R20/RHT1851R25: 46200801000001 - 46200801999999  
RHT1855R40: 44418901000001 - 44418901999999  
RHT1851R15: 44418701000001 - 44418701999999  
OHT1855R: 44419001000001 - 44419001999999  
OHT1851R: 44484301000001 - 44484301999999

*is in conformity with the following European Directives and harmonised standards*

2006/42/EC, 2014/30/EU, 2000/14/EC, 2005/88/EC, 2011/65/EU,  
EN 60745-1:2009+A11:2010, EN 60745-2-15:2009+A1:2010,  
EN 55014-1:2006+A1:2009+A2:2011, EN 55014-2:1997+A1:2001+A2:2008,  
EN ISO 3744:2010, EN 50581:2012

Measured sound power level: 92.0 dB (A)  
Guaranteed sound power level: 94.0 dB (A)  
Conformity assessment method to Annex V Directive 2000/14/EC amended by  
2005/88/EC.

Andrew John Eyre (BEng, CEng, MIET)  
Vice President, Regulatory & Safety  
Winnenden, Oct. 20, 2016

Authorised to compile the technical file:  
Alexander Krug, Managing Director  
Techtronic Industries GmbH  
Max-Eyth-Straße 10, 71364 Winnenden, Germany



**DE** EC KONFORMITÄTSERKLÄRUNG

Techtronic Industries GmbH  
Max-Eyth-Straße 10, 71364 Winnenden, Germany

*Hiermit erklären wir, dass die Produkte*

Akku Heckenschere  
Marke: Ryobi  
Modellnummer: RHT1855R40/RHT1851R25/RHT1851R20/RHT1851R15/  
OHT1855R/OHT1851R  
Seriennummernbereich:  
RHT1851R20/RHT1851R25: 46200801000001 - 46200801999999  
RHT1855R40: 44418901000001 - 44418901999999  
RHT1851R15: 44418701000001 - 44418701999999  
OHT1855R: 44419001000001 - 44419001999999  
OHT1851R: 44484301000001 - 44484301999999

*mit den folgenden europäischen Richtlinien und harmonisierten Normen entspricht*

2006/42/EC, 2014/30/EU, 2000/14/EC, 2005/88/EC, 2011/65/EU,  
EN 60745-1:2009+A11:2010, EN 60745-2-15:2009+A1:2010,  
EN 55014-1:2006+A1:2009+A2:2011, EN 55014-2:1997+A1:2001+A2:2008,  
EN ISO 3744:2010, EN 50581:2012

Gemessener Schallleistungspegel: 92.0 dB (A)  
Garantierter Schallleistungspegel: 94.0 dB (A)  
Konformitätsbeurteilungsmethode zu Anhang V Richtlinie 2000/14/EC wie durch  
2005/88/EC.

Andrew John Eyre (BEng, CEng, MIET)  
Vizepräsident, Vorschriften und Sicherheit  
Winnenden, Oct. 20, 2016

Autorisiert die technische Datei zu erstellen:  
Alexander Krug, Geschäftsführer  
Techtronic Industries GmbH  
Max-Eyth-Straße 10, 71364 Winnenden, Germany



**FR** DÉCLARATION DE CONFORMITÉ EC

Techtronic Industries GmbH  
Max-Eyth-Straße 10, 71364 Winnenden, Germany

*Déclarons par la présente que le produit*

Taille-haies Sans-fil  
Marque: Ryobi  
Numéro de modèle: RHT1855R40/RHT1851R25/RHT1851R20/RHT1851R15/  
OHT1855R/OHT1851R  
Étendue des numéros de série:  
RHT1851R20/RHT1851R25: 46200801000001 - 46200801999999  
RHT1855R40: 44418901000001 - 44418901999999  
RHT1851R15: 44418701000001 - 44418701999999  
OHT1855R: 44419001000001 - 44419001999999  
OHT1851R: 44484301000001 - 44484301999999

*est conforme aux Directives Européennes et Normes Harmonisées suivantes*

2006/42/EC, 2014/30/EU, 2000/14/EC, 2005/88/EC, 2011/65/EU,  
EN 60745-1:2009+A11:2010, EN 60745-2-15:2009+A1:2010,  
EN 55014-1:2006+A1:2009+A2:2011, EN 55014-2:1997+A1:2001+A2:2008,  
EN ISO 3744:2010, EN 50581:2012

Niveau de puissance sonore mesuré: 92.0 dB (A)  
Niveau de puissance sonore garanti: 94.0 dB (A)  
Méthode d'évaluation de conformité de l'annexe V Directive 2000/14/EC modifiée  
2005/88/EC.

Andrew John Eyre (BEng, CEng, MIET)  
Vice-Président, Réglementation & Sécurité  
Winnenden, Oct. 20, 2016

Autorisé à rédiger le dossier technique:  
Alexander Krug, Directeur Général  
Techtronic Industries GmbH  
Max-Eyth-Straße 10, 71364 Winnenden, Germany



**ES** DECLARACIÓN EC DE CONFORMIDAD

Techtronic Industries GmbH  
Max-Eyth-Straße 10, 71364 Winnenden, Germany

*Por la presente declaramos que los productos*

Cortasetos inalámbrico  
Marca: Ryobi  
Número de modelo: RHT1855R40/RHT1851R25/RHT1851R20/RHT1851R15/  
OHT1855R/OHT1851R  
Intervalo del número de serie:  
RHT1851R20/RHT1851R25: 46200801000001 - 46200801999999  
RHT1855R40: 44418901000001 - 44418901999999  
RHT1851R15: 44418701000001 - 44418701999999  
OHT1855R: 44419001000001 - 44419001999999  
OHT1851R: 44484301000001 - 44484301999999

*se encuentra en conformidad con las siguientes Directivas Europeas y normas armonizadas*

2006/42/EC, 2014/30/EU, 2000/14/EC, 2005/88/EC, 2011/65/EU,  
EN 60745-1:2009+A11:2010, EN 60745-2-15:2009+A1:2010,  
EN 55014-1:2006+A1:2009+A2:2011, EN 55014-2:1997+A1:2001+A2:2008,  
EN ISO 3744:2010, EN 50581:2012

Nivel de potencia acústica medido: 92.0 dB (A)  
Nivel de potencia acústica garantizado: 94.0 dB (A)  
Método de evaluación de conformidad con el anexo V Directiva 2000/14/EC  
modificada por la 2005/88/EC.

Andrew John Eyre (BEng, CEng, MIET)  
Vicepresidente, Director General de Normativa y Seguridad  
Winnenden, Oct. 20, 2016

Autorizado para elaborar la ficha técnica:  
Alexander Krug, Administrador Ejecutivo  
Techtronic Industries GmbH  
Max-Eyth-Straße 10, 71364 Winnenden, Germany





## IT DICHIARAZIONE DI CONFORMITÀ EC

Techtronic Industries GmbH  
Max-Eyth-Straße 10, 71364 Winnenden, Germany

Si dichiara con la presente che il prodotto

Tagliasiepi senza cavo  
Marca: Ryobi  
Numero modello: RHT1855R40/RHT1851R25/RHT1851R20/RHT1851R15/  
OHT1855R/OHT1851R  
Gamma numero seriale:  
RHT1851R20/RHT1851R25: 46200801000001 - 46200801999999  
RHT1855R40: 44418901000001 - 44418901999999  
RHT1851R15: 44418701000001 - 44418701999999  
OHT1855R: 44419001000001 - 44419001999999  
OHT1851R: 44484301000001 - 44484301999999

è conforme alle seguenti Direttive Europee e ai seguenti standard armonizzati  
2006/42/EC, 2014/30/EU, 2000/14/EC, 2005/88/EC, 2011/65/EU,  
EN 60745-1:2009+A11:2010, EN 60745-2-15:2009+A1:2010,  
EN 55014-1:2006+A1:2009+A2:2011, EN 55014-2:1997+A1:2001+A2:2008,  
EN ISO 3744:2010, EN 50581:2012

Livello di potenza acustica misurato: 92,0 dB (A)  
Livello di potenza sonora garantita: 94,0 dB (A)  
Metodo di valutazione sulla conformità all'allegato V Direttiva 2000/14/EC modificata con la 2005/88/EC.



Andrew John Eyre (BEng, CEng, MIET)  
Vice-Presidente, Dipartimento Regolazioni & Sicurezza  
Winnenden, Oct. 20, 2016

Autorizzato per compilare il file tecnico:  
Alexander Krug, Direttore Amministrativo  
Techtronic Industries GmbH  
Max-Eyth-Straße 10, 71364 Winnenden, Germany

## PT DECLARAÇÃO EC DE CONFORMIDADE

Techtronic Industries GmbH  
Max-Eyth-Straße 10, 71364 Winnenden, Germany

Pelo presente declaramos que os produtos

Aparador de Pontas Sem Fios  
Marca: Ryobi  
Número do modelo: RHT1855R40/RHT1851R25/RHT1851R20/RHT1851R15/  
OHT1855R/OHT1851R  
Intervalo do número de série:  
RHT1851R20/RHT1851R25: 46200801000001 - 46200801999999  
RHT1855R40: 44418901000001 - 44418901999999  
RHT1851R15: 44418701000001 - 44418701999999  
OHT1855R: 44419001000001 - 44419001999999  
OHT1851R: 44484301000001 - 44484301999999

se encontra em conformidade com as seguintes Directivas Europeias e normas harmonizadas  
2006/42/EC, 2014/30/EU, 2000/14/EC, 2005/88/EC, 2011/65/EU,  
EN 60745-1:2009+A11:2010, EN 60745-2-15:2009+A1:2010,  
EN 55014-1:2006+A1:2009+A2:2011, EN 55014-2:1997+A1:2001+A2:2008,  
EN ISO 3744:2010, EN 50581:2012

Nível de potência sonora medido: 92,0 dB (A)  
Nível de potência sonora garantido: 94,0 dB (A)  
Método de avaliação de conformidade para o anexo V Diretiva 2000/14/EC alterada por 2005/88/EC.



Andrew John Eyre (BEng, CEng, MIET)  
Vice-Presidente, Regulamentação & Segurança  
Winnenden, Oct. 20, 2016

Autorizado para compilar o ficheiro técnico:  
Alexander Krug, Administrador Executivo  
Techtronic Industries GmbH  
Max-Eyth-Straße 10, 71364 Winnenden, Germany

## NL EC CONFORMITEITSVERKLARING

Techtronic Industries GmbH  
Max-Eyth-Straße 10, 71364 Winnenden, Germany

Hierbij verklaren wij dat het product

Snoerloze heggeschaar  
Merk: Ryobi  
Modelnummer: RHT1855R40/RHT1851R25/RHT1851R20/RHT1851R15/  
OHT1855R/OHT1851R  
Serienummerbereik:  
RHT1851R20/RHT1851R25: 46200801000001 - 46200801999999  
RHT1855R40: 44418901000001 - 44418901999999  
RHT1851R15: 44418701000001 - 44418701999999  
OHT1855R: 44419001000001 - 44419001999999  
OHT1851R: 44484301000001 - 44484301999999

is in overeenstemming met de volgende Europese Richtlijnen en geharmoniseerde normen

2006/42/EC, 2014/30/EU, 2000/14/EC, 2005/88/EC, 2011/65/EU,  
EN 60745-1:2009+A11:2010, EN 60745-2-15:2009+A1:2010,  
EN 55014-1:2006+A1:2009+A2:2011, EN 55014-2:1997+A1:2001+A2:2008,  
EN ISO 3744:2010, EN 50581:2012

Gemeten geluidsniveau: 92,0 dB (A)  
Gegarandeerd geluidsniveau: 94,0 dB (A)  
Evaluatiemethode conformiteit volgens bijlage V Richtlijn 2000/14/EC gewijzigd door 2005/88/EC.



Andrew John Eyre (BEng, CEng, MIET)  
Vice-president, Regelgeving en Veiligheid  
Winnenden, Oct. 20, 2016

Afgevaardigde voor het samenstellen van de technische fiche:  
Alexander Krug, Directeur  
Techtronic Industries GmbH  
Max-Eyth-Straße 10, 71364 Winnenden, Germany

## DA EC OVERENSSTEMMELSEERKLÆRING

Techtronic Industries GmbH  
Max-Eyth-Straße 10, 71364 Winnenden, Germany

Vi erklærer hermed, at produktet

Akku-hækkeklipper  
Brand: Ryobi  
Modelnummer: RHT1855R40/RHT1851R25/RHT1851R20/RHT1851R15/  
OHT1855R/OHT1851R  
Serienummerområde:  
RHT1851R20/RHT1851R25: 46200801000001 - 46200801999999  
RHT1855R40: 44418901000001 - 44418901999999  
RHT1851R15: 44418701000001 - 44418701999999  
OHT1855R: 44419001000001 - 44419001999999  
OHT1851R: 44484301000001 - 44484301999999

er i overensstemmelse med følgende EU-direktiver og harmoniserede standarder  
2006/42/EC, 2014/30/EU, 2000/14/EC, 2005/88/EC, 2011/65/EU,  
EN 60745-1:2009+A11:2010, EN 60745-2-15:2009+A1:2010,  
EN 55014-1:2006+A1:2009+A2:2011, EN 55014-2:1997+A1:2001+A2:2008,  
EN ISO 3744:2010, EN 50581:2012

Målt støjniveau: 92,0 dB (A)  
Garanteret støjniveau: 94,0 dB (A)  
Overensstemmelsesvurderingsmetode til bilag V Direktiv 2000/14/EC ændret ved 2005/88/EC.



Andrew John Eyre (BEng, CEng, MIET)  
Vicepræsident, Regler og Sikkerhed  
Winnenden, Oct. 20, 2016

Bemyndiget til at udarbejde det tekniske kartotek:  
Alexander Krug, Administrerende Direktør  
Techtronic Industries GmbH  
Max-Eyth-Straße 10, 71364 Winnenden, Germany



**SV** EC-KONFORMITETSDEKLARATION

Techtronic Industries GmbH  
Max-Eyth-Straße 10, 71364 Winnenden, Germany

**Härmed deklarerar vi att produkterna**

Kabelfri hacksax  
Märke: Ryobi  
Modellnummer: RHT1855R40/RHT1851R25/RHT1851R20/RHT1851R15/  
OHT1855R/OHT1851R  
Serienummerintervall:  
RHT1851R20/RHT1851R25: 46200801000001 - 46200801999999  
RHT1855R40: 44418901000001 - 44418901999999  
RHT1851R15: 44418701000001 - 44418701999999  
OHT1855R: 44419001000001 - 44419001999999  
OHT1851R: 44484301000001 - 44484301999999

är i enlighet med följande EU-direktiv och harmoniserade standarder  
2006/42/EC, 2014/30/EU, 2000/14/EC, 2005/88/EC, 2011/65/EU,  
EN 60745-1:2009+A11:2010, EN 60745-2-15:2009+A1:2010,  
EN 55014-1:2006+A1:2009+A2:2011, EN 55014-2:1997+A1:2001+A2:2008,  
EN ISO 3744:2010, EN 50581:2012

Uppmått ljudeffektnivå: 92,0 dB (A)  
Garanterad ljudeffektnivå: 94,0 dB (A)  
Konformitetsbedömning gjord enligt metod i V Direktiv 2000/14/EC samt tilläggen  
i 2005/88/EC.

Andrew John Eyre (BEng, CEng, MIET)  
Vice President, Regelverk och Säkerhet  
Winnenden, Oct. 20, 2016

Godkänd att sammanställa den tekniska filen:  
Alexander Krug, VD  
Techtronic Industries GmbH  
Max-Eyth-Straße 10, 71364 Winnenden, Germany



**NO** EC-SAMSVARSERKLÆRING

Techtronic Industries GmbH  
Max-Eyth-Straße 10, 71364 Winnenden, Germany

**Herved erklærer vi at produktet**

Hekksaks uten ledning  
Märke: Ryobi  
Modellnummer: RHT1855R40/RHT1851R25/RHT1851R20/RHT1851R15/  
OHT1855R/OHT1851R  
Serienummerserie:  
RHT1851R20/RHT1851R25: 46200801000001 - 46200801999999  
RHT1855R40: 44418901000001 - 44418901999999  
RHT1851R15: 44418701000001 - 44418701999999  
OHT1855R: 44419001000001 - 44419001999999  
OHT1851R: 44484301000001 - 44484301999999

er i samsvar med følgende europeiske direktiver og harmoniserte standarder  
2006/42/EC, 2014/30/EU, 2000/14/EC, 2005/88/EC, 2011/65/EU,  
EN 60745-1:2009+A11:2010, EN 60745-2-15:2009+A1:2010,  
EN 55014-1:2006+A1:2009+A2:2011, EN 55014-2:1997+A1:2001+A2:2008,  
EN ISO 3744:2010, EN 50581:2012

Målt lydteffektivitet: 92,0 dB (A)  
Garantert lydteffektivitet: 94,0 dB (A)  
Metode for vurdering av konformitet til Tillegg V Direktiv 2000/14/EC endret ved  
2005/88/EC.

Andrew John Eyre (BEng, CEng, MIET)  
Visepresident, Forskrifter og Sikkerhet  
Winnenden, Oct. 20, 2016

Autorisert til å sette sammen den tekniske filen:  
Alexander Krug, Administrerende Direktør  
Techtronic Industries GmbH  
Max-Eyth-Straße 10, 71364 Winnenden, Germany



**FI** EC-SÄÄNNÖSTEN NOUDATTAMINEN

Techtronic Industries GmbH  
Max-Eyth-Straße 10, 71364 Winnenden, Germany

**Ilmoitamme täten, että tuotteet**

Langaton pensasstrimmeri  
Tuotemerkki: Ryobi  
Modellnummer: RHT1855R40/RHT1851R25/RHT1851R20/RHT1851R15/  
OHT1855R/OHT1851R  
Sarjanumeroalue:  
RHT1851R20/RHT1851R25: 46200801000001 - 46200801999999  
RHT1855R40: 44418901000001 - 44418901999999  
RHT1851R15: 44418701000001 - 44418701999999  
OHT1855R: 44419001000001 - 44419001999999  
OHT1851R: 44484301000001 - 44484301999999

noudattaa seuraavia EU-direktiivejä ja harmonoituja standardeja  
2006/42/EC, 2014/30/EU, 2000/14/EC, 2005/88/EC, 2011/65/EU,  
EN 60745-1:2009+A11:2010, EN 60745-2-15:2009+A1:2010,  
EN 55014-1:2006+A1:2009+A2:2011, EN 55014-2:1997+A1:2001+A2:2008,  
EN ISO 3744:2010, EN 50581:2012

Mitattu äänenteho: 92,0 dB (A)  
Taattu äänenteho: 94,0 dB (A)  
Säännösten noudattaminen tarkastettu direktiivin 2000/14/EC liitteen V mukaisesti  
muunnettu direktiivillä 2005/88/EC.

Andrew John Eyre (BEng, CEng, MIET)  
Varatoimitusjohtaja, Säästöstenmukaisuus ja Turvallisuus  
Winnenden, Oct. 20, 2016

Valtuutettu kokoamaan tekninen tiedosto:  
Alexander Krug, Toimitusjohtaja  
Techtronic Industries GmbH  
Max-Eyth-Straße 10, 71364 Winnenden, Germany



**RU** ЗАЯВЛЕНИЕ О СООТВЕТСТВИИ ТРЕБОВАНИЯМ ЕС

Techtronic Industries GmbH  
Max-Eyth-Straße 10, 71364 Winnenden, Germany

**Настоящим мы заявляем, что данный продукт**

Беспроводные шпательные ножицы  
Märke: Ryobi  
Номер модели: RHT1855R40/RHT1851R25/RHT1851R20/RHT1851R15/  
OHT1855R/OHT1851R  
Диапазон заводских номеров:  
RHT1851R20/RHT1851R25: 46200801000001 - 46200801999999  
RHT1855R40: 44418901000001 - 44418901999999  
RHT1851R15: 44418701000001 - 44418701999999  
OHT1855R: 44419001000001 - 44419001999999  
OHT1851R: 44484301000001 - 44484301999999

соответствует требованиям следующих Директив ЕС и согласованных  
стандартов  
2006/42/EC, 2014/30/EU, 2000/14/EC, 2005/88/EC, 2011/65/EU,  
EN 60745-1:2009+A11:2010, EN 60745-2-15:2009+A1:2010,  
EN 55014-1:2006+A1:2009+A2:2011, EN 55014-2:1997+A1:2001+A2:2008,  
EN ISO 3744:2010, EN 50581:2012

Измеренный уровень звуковой мощности: 92,0 dB (A)  
Гарантируемый уровень звуковой мощности: 94,0 dB (A)  
Способ оценки соответствия, приложение V к директиве 2000/14/EC с  
изменениями 2005/88/EC.

Andrew John Eyre (BEng, CEng, MIET)  
Вице-Президент По Технике Безопасности И Стандартам  
Winnenden, Oct. 20, 2016

Лицо, ответственное за подготовку технической документации:  
Alexander Krug, Директор  
Techtronic Industries GmbH  
Max-Eyth-Straße 10, 71364 Winnenden, Germany





## PL DEKLARACJA ZGODNOŚCI EC

Techtronic Industries GmbH  
Max-Eyth-Straße 10, 71364 Winnenden, Germany

### Niniejszym deklarujemy, że produkty

Bezprzewodowa przyciskarka do zwygotłów  
Marka: Ryobi  
Numer modelu: RHT1855R40/RHT1851R25/RHT1851R20/RHT1851R15/  
OHT1855R/OHT1851R  
Zakres numerów seryjnych:  
RHT1851R20/RHT1851R25: 46200801000001 - 46200801999999  
RHT1855R40: 44418901000001 - 44418901999999  
RHT1851R15: 44418701000001 - 44418701999999  
OHT1855R: 44419001000001 - 44419001999999  
OHT1851R: 44484301000001 - 44484301999999

### jest zgodny z następującymi dyrektywami europejskimi i zharmonizowanymi normami

2006/42/EC, 2014/30/EU, 2000/14/EC, 2005/88/EC, 2011/65/EU,  
EN 60745-1:2009+A11:2010, EN 60745-2-15:2009+A1:2010,  
EN 55014-1:2006+A1:2009+A2:2011, EN 55014-2:1997+A1:2001+A2:2008,  
EN ISO 3744:2010, EN 50581:2012

Zmierzony poziom natężenia hałasu: 92,0 dB (A)  
Maksymalny poziom natężenia hałasu: 94,0 dB (A)  
Metoda ocena zgodności zgodnie z aneksem V Dyrektywa 2000/14/EC zmieniona przez dyrektywę 2005/88/EC.



Andrew John Eyre (BEng, CEng, MIET)  
Wiceprezes ds. Zgodności Prawnej i Bezpieczeństwa  
Winnenden, Oct. 20, 2016

Osoba upoważniona do sporządzenia dokumentu technicznego:  
Alexander Krug, Dyrektor Zarządzający  
Techtronic Industries GmbH  
Max-Eyth-Straße 10, 71364 Winnenden, Germany

## HU EC MEGFELELŐSÉGI NYILATKOZAT

Techtronic Industries GmbH  
Max-Eyth-Straße 10, 71364 Winnenden, Germany

### Ezúton kijelentjük, hogy a termékek

Akkumulátoros sövényvágó  
Marka: Ryobi  
Típusszám: RHT1855R40/RHT1851R25/RHT1851R20/RHT1851R15/  
OHT1855R/OHT1851R  
Sorozatszám tartomány:  
RHT1851R20/RHT1851R25: 46200801000001 - 46200801999999  
RHT1855R40: 44418901000001 - 44418901999999  
RHT1851R15: 44418701000001 - 44418701999999  
OHT1855R: 44419001000001 - 44419001999999  
OHT1851R: 44484301000001 - 44484301999999

### megfelel az alábbi Európai irányelvek és harmonizált szabványok vonatkozó rendelkezéseinek

2006/42/EC, 2014/30/EU, 2000/14/EC, 2005/88/EC, 2011/65/EU,  
EN 60745-1:2009+A11:2010, EN 60745-2-15:2009+A1:2010,  
EN 55014-1:2006+A1:2009+A2:2011, EN 55014-2:1997+A1:2001+A2:2008,  
EN ISO 3744:2010, EN 50581:2012

Mért hangteljesítményszint: 92,0 dB (A)  
Garantált hangteljesítményszint: 94,0 dB (A)  
A megfelelőségi értékelési eljárás a 2000/14/EC irányelv V. függeléké szerint történt által módosított 2005/88/EC irányelv.



Andrew John Eyre (BEng, CEng, MIET)  
Alelnök, Megfelelőségi és Biztonsági Területek  
Winnenden, Oct. 20, 2016

A műszaki dokumentáció összeállítására felhatalmazott:  
Alexander Krug, Ügyvezető Igazgató  
Techtronic Industries GmbH  
Max-Eyth-Straße 10, 71364 Winnenden, Germany



## CS PROHLÁŠENÍ O SHODĚ EC

Techtronic Industries GmbH  
Max-Eyth-Straße 10, 71364 Winnenden, Germany

### Tímto prohlašujeme, že výrobky

Akkumulátorové nůžky pro živý plot  
Značka: Ryobi  
Číslo modelu: RHT1855R40/RHT1851R25/RHT1851R20/RHT1851R15/  
OHT1855R/OHT1851R  
Rozsah sériových čísel:  
RHT1851R20/RHT1851R25: 46200801000001 - 46200801999999  
RHT1855R40: 44418901000001 - 44418901999999  
RHT1851R15: 44418701000001 - 44418701999999  
OHT1855R: 44419001000001 - 44419001999999  
OHT1851R: 44484301000001 - 44484301999999

### že tento výrobek je v souladu s evropskými a harmonizovanými standardy

2006/42/EC, 2014/30/EU, 2000/14/EC, 2005/88/EC, 2011/65/EU,  
EN 60745-1:2009+A11:2010, EN 60745-2-15:2009+A1:2010,  
EN 55014-1:2006+A1:2009+A2:2011, EN 55014-2:1997+A1:2001+A2:2008,  
EN ISO 3744:2010, EN 50581:2012

Změřená hladina akustického výkonu: 92,0 dB (A)  
Zaručená hladina akustického výkonu: 94,0 dB (A)  
Soulad s metodou určování pro přílohu V směrnice 2000/14/EC upravená 2005/88/EC.



Andrew John Eyre (BEng, CEng, MIET)  
Viceprezident, Normy a Bezpečnost  
Winnenden, Oct. 20, 2016

Pověření ke kompilaci technického souboru:  
Alexander Krug, Generální Reditel  
Techtronic Industries GmbH  
Max-Eyth-Straße 10, 71364 Winnenden, Germany



## RO DECLARAȚIE DE CONFORMITATE EC

Techtronic Industries GmbH  
Max-Eyth-Straße 10, 71364 Winnenden, Germany

### Prin prezenta, declarăm că produsele

Foarfece de grădină fără fir  
Marcă: Ryobi  
Număr serie: RHT1855R40/RHT1851R25/RHT1851R20/RHT1851R15/  
OHT1855R/OHT1851R  
Gamă număr serie:  
RHT1851R20/RHT1851R25: 46200801000001 - 46200801999999  
RHT1855R40: 44418901000001 - 44418901999999  
RHT1851R15: 44418701000001 - 44418701999999  
OHT1855R: 44419001000001 - 44419001999999  
OHT1851R: 44484301000001 - 44484301999999

### este în conformitate cu următoarele Directive Europene și standarde armonizate

2006/42/EC, 2014/30/EU, 2000/14/EC, 2005/88/EC, 2011/65/EU,  
EN 60745-1:2009+A11:2010, EN 60745-2-15:2009+A1:2010,  
EN 55014-1:2006+A1:2009+A2:2011, EN 55014-2:1997+A1:2001+A2:2008,  
EN ISO 3744:2010, EN 50581:2012

Nivelul măsurat al puterii acustice: 92,0 dB (A)  
Nivel garantat al puterii acustice: 94,0 dB (A)  
Metoda de evaluare a conformității cu Anexa V Directiva 2000/14/EC modificată prin 2005/88/EC.



Andrew John Eyre (BEng, CEng, MIET)  
Vicepreședintele, Reglementare și Siguranță  
Winnenden, Oct. 20, 2016

Autorizat să completeze fișa tehnică:  
Alexander Krug, Director General  
Techtronic Industries GmbH  
Max-Eyth-Straße 10, 71364 Winnenden, Germany





**LV** EC ATBILSTĪBAS DEKLARĀCIJA

Techtronic Industries GmbH  
Max-Eyth-Straße 10, 71364 Winnenden, Germany

*Ar šo paziņojam, ka produkti*

Bezvadu dzīvzogu trimmeris  
Zīmols: Ryobi  
Modeļa numurs: RHT1855R40/RHT1851R25/RHT1851R20/RHT1851R15/  
OHT1855R/OHT1851R  
Sērijas numura intervāls:  
RHT1851R20/RHT1851R25: 46200801000001 - 46200801999999  
RHT1855R40: 44418901000001 - 44418901999999  
RHT1851R15: 44418701000001 - 44418701999999  
OHT1855R: 44419001000001 - 44419001999999  
OHT1851R: 44484301000001 - 44484301999999

*atbilst šādām Eiropas direktīvām un saskaņotajiem standartiem*

2006/42/EC, 2014/30/EU, 2000/14/EC, 2005/88/EC, 2011/65/EU,  
EN 60745-1:2009+A11:2010, EN 60745-2-15:2009+A1:2010,  
EN 55014-1:2006+A1:2009+A2:2011, EN 55014-2:1997+A1:2001+A2:2008,  
EN ISO 3744:2010, EN 50581:2012

Izmērtās skaņas jaudas līmenis: 92,0 dB (A)  
Garantētās skaņas intensitātes līmenis: 94,0 dB (A)

Atbilstības novērtēšanas metode pielikumam V Direktīvai 2000/14/EC labota  
2005/88/EC.



Andrew John Eyre (BEng, CEng, MIET)  
Viceprezidents, Darba Drošības Noteikumi  
Winnenden, Oct. 20, 2016

Pilnvarots sastādīt tehnisko failu:  
Alexander Krug, Izpilddirektors  
Techtronic Industries GmbH  
Max-Eyth-Straße 10, 71364 Winnenden, Germany

**ET** EC VASTAVUSDEKLARATSIOON

Techtronic Industries GmbH  
Max-Eyth-Straße 10, 71364 Winnenden, Germany

*Kinnitame, et see toode*

Aku-hekitrimmer  
Mark: Ryobi  
Modeli number: RHT1855R40/RHT1851R25/RHT1851R20/RHT1851R15/  
OHT1855R/OHT1851R  
Seerianumbri vahemik:  
RHT1851R20/RHT1851R25: 46200801000001 - 46200801999999  
RHT1855R40: 44418901000001 - 44418901999999  
RHT1851R15: 44418701000001 - 44418701999999  
OHT1855R: 44419001000001 - 44419001999999  
OHT1851R: 44484301000001 - 44484301999999

*vastab järgmistele Euroopa direktiividele ja harmoniseeritud standarditele*

2006/42/EC, 2014/30/EU, 2000/14/EC, 2005/88/EC, 2011/65/EU,  
EN 60745-1:2009+A11:2010, EN 60745-2-15:2009+A1:2010,  
EN 55014-1:2006+A1:2009+A2:2011, EN 55014-2:1997+A1:2001+A2:2008,  
EN ISO 3744:2010, EN 50581:2012

Möödetud helivõimsuse tase: 92,0 dB (A)  
Garanteeritud helivõimsuse tase: 94,0 dB (A)

Vastavushindamine vastavalt lisale V direktiivis 2000/14/EC muudetud direktiiviga  
2005/88/EC.



Andrew John Eyre (BEng, CEng, MIET)  
Asepresident Standardiseerimise Ja Ohutuse Alal  
Winnenden, Oct. 20, 2016

Tehnilise faili koostamiseks volitatud isik:  
Alexander Krug, Tegevdirektor  
Techtronic Industries GmbH  
Max-Eyth-Straße 10, 71364 Winnenden, Germany

**LT** EC ATITIKTIKIES DEKLARACIJA

Techtronic Industries GmbH  
Max-Eyth-Straße 10, 71364 Winnenden, Germany

*Mes pareiškiame, kad šie produktai*

Bevielė elektrinė gyvatvorės apkarpyimo mašinėlė  
Prekės ženklas: Ryobi  
Modelio numeris: RHT1855R40/RHT1851R25/RHT1851R20/RHT1851R15/  
OHT1855R/OHT1851R  
Serijinio numerio diapazonas:  
RHT1851R20/RHT1851R25: 46200801000001 - 46200801999999  
RHT1855R40: 44418901000001 - 44418901999999  
RHT1851R15: 44418701000001 - 44418701999999  
OHT1855R: 44419001000001 - 44419001999999  
OHT1851R: 44484301000001 - 44484301999999

*pagamintais laikantis toliau nurodytųjų Europos Direktivų ir darniųjų standartų*

2006/42/EC, 2014/30/EU, 2000/14/EC, 2005/88/EC, 2011/65/EU,  
EN 60745-1:2009+A11:2010, EN 60745-2-15:2009+A1:2010,  
EN 55014-1:2006+A1:2009+A2:2011, EN 55014-2:1997+A1:2001+A2:2008,  
EN ISO 3744:2010, EN 50581:2012

Išmatuotas akustinis lygis: 92,0 dB (A)  
Garantuotas akustinis lygis: 94,0 dB (A)  
Atitikties įvertinimo metodas pagal direktyvos 2000/14/EC, V Priedą su pataisomis  
2005/88/EC.



Andrew John Eyre (BEng, CEng, MIET)  
Kontrolės Ir Saugos Viceprezidentas  
Winnenden, Oct. 20, 2016

Įgaliosis sudaryti techninį failą:  
Alexander Krug, Generalinis Direktorius  
Techtronic Industries GmbH  
Max-Eyth-Straße 10, 71364 Winnenden, Germany

**HR** EC IZJAVA O USKLADENOSTI

Techtronic Industries GmbH  
Max-Eyth-Straße 10, 71364 Winnenden, Germany

*Uvime izjavljujemo da su proizvodi*

AKU trimmer za ogradu  
Marka: Ryobi  
Broj modela: RHT1855R40/RHT1851R25/RHT1851R20/RHT1851R15/  
OHT1855R/OHT1851R  
Raspon serijskog broja:  
RHT1851R20/RHT1851R25: 46200801000001 - 46200801999999  
RHT1855R40: 44418901000001 - 44418901999999  
RHT1851R15: 44418701000001 - 44418701999999  
OHT1855R: 44419001000001 - 44419001999999  
OHT1851R: 44484301000001 - 44484301999999

*usklađen sa sljedećim Europskim Direktivama i usklađenim normama*

2006/42/EC, 2014/30/EU, 2000/14/EC, 2005/88/EC, 2011/65/EU,  
EN 60745-1:2009+A11:2010, EN 60745-2-15:2009+A1:2010,  
EN 55014-1:2006+A1:2009+A2:2011, EN 55014-2:1997+A1:2001+A2:2008,  
EN ISO 3744:2010, EN 50581:2012

Izmjerena razina zvučne snage: 92,0 dB (A)  
Jamčena razina zvučne snage: 94,0 dB (A)  
Metoda procjene usklađenosti prema Dodatku V Direktive 2000/14/EC navedeno  
u 2005/88/EC.



Andrew John Eyre (BEng, CEng, MIET)  
Potpredsjednik za Pravila i Sigurnost  
Winnenden, Oct. 20, 2016

Ovlašten da sastavi tehničku datoteku:  
Alexander Krug, Direktor Upravljanja  
Techtronic Industries GmbH  
Max-Eyth-Straße 10, 71364 Winnenden, Germany



## SL IZJAVA EC O SKLADNOSTI

Techtronic Industries GmbH  
Max-Eyth-Straße 10, 71364 Winnenden, Germany

### Izjavljamo, da je izdelok

Brezžični obrezovalnik žive meje  
Znamka: Ryobi  
Številka modela: RHT1855R40/RHT1851R25/RHT1851R20/RHT1851R15/  
OHT1855R/OHT1851R  
Razpon serijskih številok:  
RHT1851R20/RHT1851R25: 46200801000001 - 46200801999999  
RHT1855R40: 44418901000001 - 44418901999999  
RHT1851R15: 44418701000001 - 44418701999999  
OHT1855R: 44419001000001 - 44419001999999  
OHT1851R: 44484301000001 - 44484301999999

### v skladu s sledečimi evropskimi direktivami in harmoniziranimi standardi

2006/42/EC, 2014/30/EU, 2000/14/EC, 2005/88/EC, 2011/65/EU,  
EN 60745-1:2009+A11:2010, EN 60745-2-15:2009+A1:2010,  
EN 55014-1:2006+A1:2009+A2:2011, EN 55014-2:1997+A1:2001+A2:2008,  
EN ISO 3744:2010, EN 50581:2012

Izmerjena raven zvočne moči: 92,0 dB (A)

Zajamčena raven zvočne moči: 94,0 dB (A)

Način ugotavljanja skladnosti z aneksom V direktive 2000/14/EC ki je bila spremenjena z 2005/88/EC.



Andrew John Eyre (BEng, CEng, MIET)  
Podpredsednik, Zakonodajne In Varnostne Zadeve  
Winnenden, Oct. 20, 2016

Pooblaščen oseba za sestavo tehnične dokumentacije:  
Alexander Krug, Izvršni Direktor  
Techtronic Industries GmbH  
Max-Eyth-Straße 10, 71364 Winnenden, Germany

## BG ЕС ДЕКЛАРАЦИЯ НА ЗА СЪОТВЕТСТВИЕ

Techtronic Industries GmbH  
Max-Eyth-Straße 10, 71364 Winnenden, Germany

### C настоящето декларираме, че продуктите

Безжичен хасторез  
Марка: Ryobi  
Номер на модела: RHT1855R40/RHT1851R25/RHT1851R20/RHT1851R15/  
OHT1855R/OHT1851R  
Обхват на серийни номера:  
RHT1851R20/RHT1851R25: 46200801000001 - 46200801999999  
RHT1855R40: 44418901000001 - 44418901999999  
RHT1851R15: 44418701000001 - 44418701999999  
OHT1855R: 44419001000001 - 44419001999999  
OHT1851R: 44484301000001 - 44484301999999

### отговаря на следните директиви на ЕС и хармонизирани стандарти

2006/42/EC, 2014/30/EU, 2000/14/EC, 2005/88/EC, 2011/65/EU,  
EN 60745-1:2009+A11:2010, EN 60745-2-15:2009+A1:2010,  
EN 55014-1:2006+A1:2009+A2:2011, EN 55014-2:1997+A1:2001+A2:2008,  
EN ISO 3744:2010, EN 50581:2012

Измерено ниво на шум: 92,0 dB (A)

Гарантирано ниво на шум 94,0 dB (A)

Метод за оценяване на съответствието с приложението V Директива 2000/14/EC, изменена от 2005/88/EC.



Andrew John Eyre (BEng, CEng, MIET)  
Вицепрезидент, Правни Услуги И Безопасност  
Winnenden, Oct. 20, 2016

Упълномощено лице за съставяне на техническия файл:  
Alexander Krug, Изпълнителен Директор  
Techtronic Industries GmbH  
Max-Eyth-Straße 10, 71364 Winnenden, Germany

## SK PREHLÁSENIE O ZHODE EC

Techtronic Industries GmbH  
Max-Eyth-Straße 10, 71364 Winnenden, Germany

### Týmto vyhlasujeme, že výrobok

Bezdrôtový strihač živého plotu  
Značka: Ryobi  
Číslo modelu: RHT1855R40/RHT1851R25/RHT1851R20/RHT1851R15/  
OHT1855R/OHT1851R  
Rozsah sériových čísiel:  
RHT1851R20/RHT1851R25: 46200801000001 - 46200801999999  
RHT1855R40: 44418901000001 - 44418901999999  
RHT1851R15: 44418701000001 - 44418701999999  
OHT1855R: 44419001000001 - 44419001999999  
OHT1851R: 44484301000001 - 44484301999999

### je v súlade s nasledujúcimi Európskymi smernicami a harmonizovanými normami

2006/42/EC, 2014/30/EU, 2000/14/EC, 2005/88/EC, 2011/65/EU,  
EN 60745-1:2009+A11:2010, EN 60745-2-15:2009+A1:2010,  
EN 55014-1:2006+A1:2009+A2:2011, EN 55014-2:1997+A1:2001+A2:2008,  
EN ISO 3744:2010, EN 50581:2012

Nameraná úroveň hluku: 92,0 dB (A)

Garantovaná úroveň hluku: 94,0 dB (A)

Spôsob určenia zhody podľa Dodatku V Smernica 2000/14/EC doplnená o 2005/88/EC.



Andrew John Eyre (BEng, CEng, MIET)  
Viceprezident, Regulácia a Bezpečnosť  
Winnenden, Oct. 20, 2016

Oprávnená osoba na zostavenie technického súboru:  
Alexander Krug, Generálny Riaditeľ  
Techtronic Industries GmbH  
Max-Eyth-Straße 10, 71364 Winnenden, Germany

## UK ЕС ДЕКЛАРАЦИЯ ПРО ВІДПОВІДНІСТЬ

Techtronic Industries GmbH  
Max-Eyth-Straße 10, 71364 Winnenden, Germany

### При цьому ми заявляємо, що продукт

Акумуляторні ножиці для живоплоту  
Марка: Ryobi  
Номер моделі: RHT1855R40/RHT1851R25/RHT1851R20/RHT1851R15/  
OHT1855R/OHT1851R  
Діапазон серійного номеру:  
RHT1851R20/RHT1851R25: 46200801000001 - 46200801999999  
RHT1855R40: 44418901000001 - 44418901999999  
RHT1851R15: 44418701000001 - 44418701999999  
OHT1855R: 44419001000001 - 44419001999999  
OHT1851R: 44484301000001 - 44484301999999

### у відповідності з наступними європейськими директивами та гармонізованими стандартами:

2006/42/EC, 2014/30/EU, 2000/14/EC, 2005/88/EC, 2011/65/EU,  
EN 60745-1:2009+A11:2010, EN 60745-2-15:2009+A1:2010,  
EN 55014-1:2006+A1:2009+A2:2011, EN 55014-2:1997+A1:2001+A2:2008,  
EN ISO 3744:2010, EN 50581:2012

Вимірний рівень звукової потужності: 92,0 dB (A)

Гарантований рівень звукової потужності: 94,0 dB (A)

Метод оцінки відповідності додаток V Директива 2000/14/EC з поправками, внесеними 2005/88/EC.



Andrew John Eyre (BEng, CEng, MIET)  
Вице-президент, регулювання і безпека  
Winnenden, Oct. 20, 2016

Дозвіл на складання технічного файла:  
Alexander Krug, керуючий Директор  
Techtronic Industries GmbH  
Max-Eyth-Straße 10, 71364 Winnenden, Germany



**TR** EC UYGUNLUK BEYANI

Techtronic Industries GmbH  
Max-Eyth-Straße 10, 71364 Winnenden, Germany


*При цьому ми заявляємо, що продукт*

Kablosuz çit budama makinesi  
Marka: Ryobi  
Model numarası: RHT1855R40/RHT1851R25/RHT1851R20/RHT1851R15/  
OHT1855R/OHT1851R  
Seri numarası aralığı:  
RHT1851R20/RHT1851R25: 46200801000001 - 46200801999999  
RHT1855R40: 44418901000001 - 44418901999999  
RHT1851R15: 44418701000001 - 44418701999999  
OHT1855R: 44419001000001 - 44419001999999  
OHT1851R: 44484301000001 - 44484301999999

*aşağıdaki Avrupa Direktiflerine ve uyumlaştırılmış standartlara uygun olduğunu  
beyan ediyorum*

2006/42/EC, 2014/30/EU, 2000/14/EC, 2005/88/EC, 2011/65/EU,  
EN 60745-1:2009+A11:2010, EN 60745-2-15:2009+A1:2010,  
EN 55014-1:2006+A1:2009+A2:2011, EN 55014-2:1997+A1:2001+A2:2008,  
EN ISO 3744:2010, EN 50581:2012

Öçülen ses gücü seviyesi: 92.0 dB (A)  
Güvenceli ses gücü seviyesi: 94.0 dB (A)  
2005/88/AT ile değiştirilen 2000/14/AT Direktifi Ek V uyarınca uygunluk  
değerlendirmesi yöntemi.



Andrew John Eyre (BEng, CEng, MIET)  
Mevzuat ve Güvenlik Başkan Yardımcısı  
Winnenden, Oct. 20, 2016

Teknik dosyayı derlemekle yetkili sorumlu:  
Alexander Krug, İdari Müdür  
Techtronic Industries GmbH  
Max-Eyth-Straße 10, 71364 Winnenden, Germany



**Techtronic Industries GmbH**  
Max-Eyth-Straße 10,  
71364 Winnenden, Germany

960737039-01