

E11717



Collection: OBLO

Finish*:



CP - Chrome

Main features:



Features

- **DIMENSIONS:** 114 x 39.50 x 11.90 cm
- **MATERIAL:** Metal
- **NORMS AND REGULATION:** ACS : 10 ACC LY 277
- **SINGLE-LEVER TAPS:** THERMOSTATIC
- Operates with all types of water heaters, minimum capacity 18 kW

- **WEIGHT:** 9 kg
- **INSTALLATION TYPE:** Wall-mount
- **WITH OR WITHOUT BRASSWARE:** WITH TAPS
- Shower column with thermostatic mixer and shower head

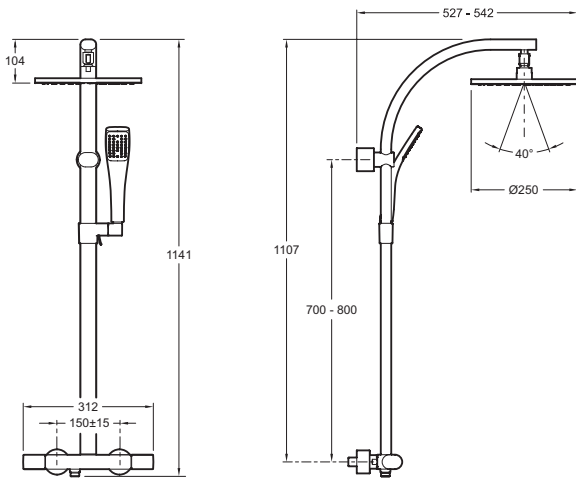
Consumer benefits

- **THERMOSTATIC VALVE:** Thermostatic unit with diverter on flow handle
- **MAXIMUM SAFETY:** Temperature will not exceed 50°C

Installation benefits

- **COMPATIBLE:** with any heater at least 18 kW

Technical drawing



Product Specification: Shower column. E11717. Collection: OBLO. DIMENSIONS: 114 x 39.50 x 11.90 cm. WEIGHT: 9 kg. MATERIAL: Metal. INSTALLATION TYPE: Wall-mount. NORMS AND REGULATION: ACS : 10 ACC LY 277. WITH OR WITHOUT BRASSWARE: WITH TAPS. SINGLE-LEVER TAPS: THERMOSTATIC. Shower column with thermostatic mixer and shower head. Operates with all types of water heaters, minimum capacity 18 kW.

**Due to possible variations in computer and printer calibrations, technical factors and certain finish characteristics, the colors you see may not accurately portray the actual colors and are provided as a guide only.*